

Date: \_\_\_\_\_ For:  File  Resubmit  
 PO No.: \_\_\_\_\_  Approval  Other \_\_\_\_\_  
 Architect: \_\_\_\_\_ GC: \_\_\_\_\_  
 Engr: \_\_\_\_\_ Mech: \_\_\_\_\_  
 Rep: \_\_\_\_\_  
 (Company) \_\_\_\_\_ (Project Manager)



# PACS4B000 AC Smart IV Central Controller



**Electrical:**

Power Supply	24 VAC 60 Hz
Power Consumption	22 VA

40 VA transformer recommended.

**Surrounding Conditions:**

Operating Temperature	32-104 °F
Storage Temperature	-4-140 °F
Humidity	0-98% (non-condensing)

**Unit Data:**

Dimensions	10" W x 6-5/8" H x 1-3/16" D
Maximum Number of Devices	128
Maximum Number of Outdoor Units	16 per V-net
Maximum Number of Controllers	2 per V-net

**Standard Features**

- 10.2 inch WSVGA TFT LCD Touch Screen
- Indoor Unit Control/Monitoring by Groups/Indoor Units
- Web Access with Graphical User Access Control
- Operation and Event History Log
- Forced Off Digital Input
- One Digital Input and two Digital Outputs for Device Interlocking

**Basic Unit Function**

- Multiple Language Selections
- Operation – On/Off
- Mode – Auto/Cool/Dry/Heat/Fan Only
- Setpoint
- Fan Speed – Auto/Low/Med/High
- Louver Swing

**Advanced Unit Function**

- Two Setpoint Auto-changeover
- Two Setpoint Setback
- 200 Programmable Schedule Events with control of setpoint, On/Off, Mode, Fan Speed, Controller Lock, and Louver Swing
- Temperature Setpoint Range Limit
- Remote Controller Lock (All, Setpoint, Mode, Fan Speed)
- Run Time Limit (Unoccupied Override)
- Software Device Interlocking
- Manual Control and Scheduling of Digital Output Kit
- Peak/Demand Control
- Visual Floorplan Navigation
- Error E-mail Notification
- Power Distribution Indicator (PDI) (optional)
- Energy Reporting
- Emergency Situation Occurrence
- Occupied/Unoccupied Setpoint Control

**Connectivity:**

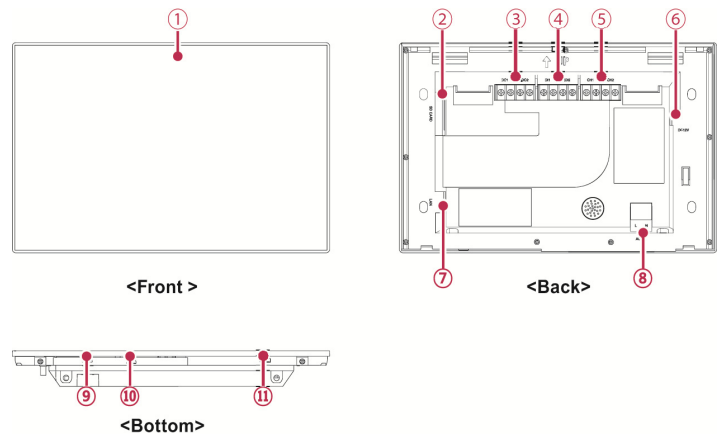
LG Communications	1 Channel/RS-485 V-Net
Ethernet	10/100 BASE-T

**Communications Cabling Specifications (V-Net):**

Type	2-conductor, stranded, shielded copper cable/ PVC or vinyl jacket
Size	AWG 18 x 2
Maximum Length	3,280 ft (end to end)

AWG - American Wire Gauge

**Description:**



- |                   |                  |
|-------------------|------------------|
| 1 Touch Screen    | 7 Ethernet Port  |
| 2 SD Card Slot    | 8 24 VAC Input   |
| 3 Digital Outputs | 9 Micro USB Port |
| 4 Digital Inputs  | 10 Mini USB Port |
| 5 V-Net Ports     | 11 Power Button  |
| 6 12 VDC Input    |                  |

**Optional Accessories (sold separately):**

- Digital Output Kit - PQNFP00T0
- Power Distribution Indicator (PDI) - PQNUD1S41
- ACS I/O Module - PEXPMB000

**Notes:**

Must follow installation instructions in the applicable LG installation manual.

For continual product development, LG reserves the right to change specifications without notice.

© LG Electronics U.S.A., Inc., Englewood Cliffs, NJ. All rights reserved. "LG Life's Good" is a registered trademark of LG Corp. /www.lghvac.com