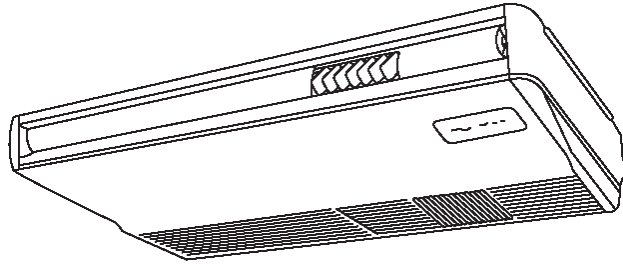


Job Name: _____

Drawing Reference: _____ Schedule No. _____



GENERAL FEATURES

- R410A or R22 refrigerant-compatible
- Adjustable airflow angle
- Four-speed fan setting
- Powerful airflow (CFM)
- Outside air intake option
- Multiple sizes up to 36,000 Btu/h
- Quiet operation: 29-44 dB(A)

SPECIFICATIONS

Capacity*

Cooling 15,000 Btu/h
 Heating 17,000 Btu/h

Power

Power Source 208 / 230V, 1 phase, 60Hz
 Power Consumption
 Cooling 0.08 kW
 Heating 0.08 kW

Current

Cooling 0.40 A
 Heating 0.40 A

Minimum Circuit Ampacity (MCA) 0.50 A

Maximum Overcurrent Protection (MOCP) 15A

External Finish Polyester painted steel sheet
 Plastic 0.70Y 8.59/0.97

Dimensions

Inches 8-9/32 h x 39-3/8 w x 26-25/32 d
 mm 210 h x 1000 w x 680 d

Net Weight 60 lb / 27 kg

Coil Type Cross fin

Fan

Type x Quantity Sirocco x 2
 Airflow Rate (Low-Mid1-Mid2-High) . . 283-353-388-424 CFM
 Motor
 Type Single phase induction motor
 Output 0.054 kW

Air Filter PP honeycomb

Refrigerant Pipe Dimensions

R410A or R22
 Liquid 1/4" / 6.35 mm flare
 Gas 1/2" / 12.7 mm flare

Drainpipe Dimension O.D. 1-1/32" / 26 mm

Sound Level (Low-Mid1-Mid2-High) . . 29-33-36-38 dB(A)

Options

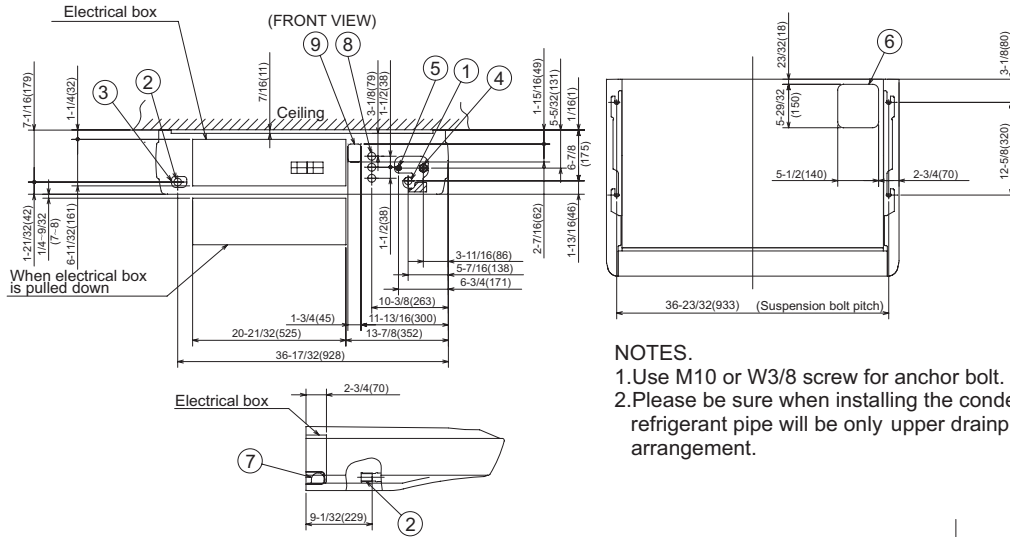
70% medium efficiency filter PAC-SE80KF-E

* Cooling / Heating capacity indicated the maximum value at operation under the following conditions:
 Cooling: Indoor 80°F (27°C) DB / 67°F (19°C) WB, Outdoor 95°F (35°C) DB
 Heating: Indoor 70°F (21°C) DB, Outdoor 47°F (8°C) DB / 43°F (6°C) WB

** Ventilation air: providing sufficient ventilation air is an important part of every building design. ASHRAE Standard 62 provides the minimum ventilation air requirements. Also check local codes.

Notes:

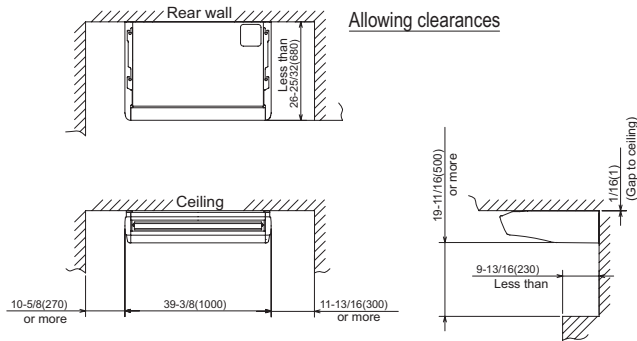
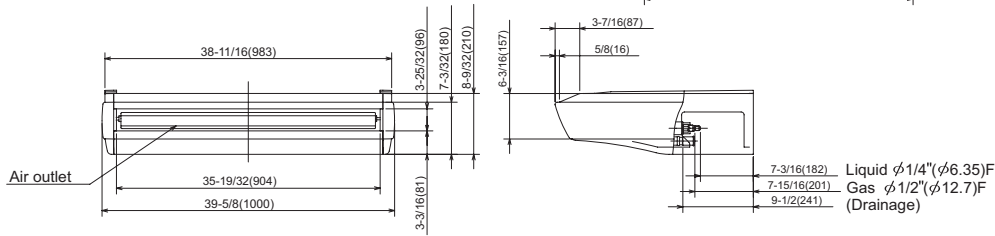
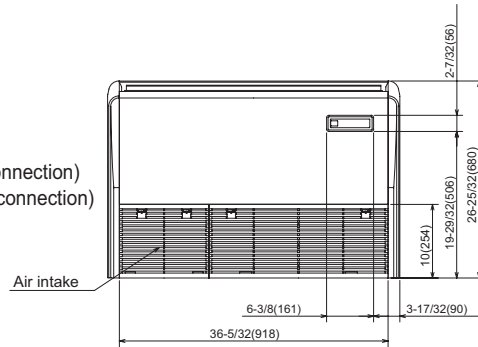
Model: PCFY-P15NGMU-E



NOTES.

1. Use M10 or W3/8 screw for anchor bolt.
2. Please be sure when installing the condensate pump, refrigerant pipe will be only upper drainpipe arrangement.

- ① Drainage pipe connection (1-1/32(26mm) I.D.)
- ② Drainage pipe connection (for the left arrangement)
- ③ Knockout hole for left drain-piping arrangement
- ④ Refrigerant-pipe connection (gas pipe side/flared connection)
- ⑤ Refrigerant-pipe connection (liquid pipe side/flared connection)
- ⑥ Knockout hole for upper drainpipe arrangement
- ⑦ Knockout hole for left drainpipe arrangement
- ⑧ Knockout hole for wiring arrangement
- ⑨ Knockout hole for outside air intake



Mitsubishi Electric Air Conditioning & Refrigeration Systems Works acquired ISO 9001 certification under Series 9000 of the International Standard Organization (ISO) based on a review of quality warranties for the production of refrigeration and air conditioning equipment.

ISO Authorization System
The ISO 9000 series is a plant authorization system relating to quality warranties as stipulated by the ISO. ISO 9001 certifies quality warranties based on the "design, development, production, installation and auxiliary services" for products built at an authorized plant.

Certificate Number FM33568



HVAC Advanced Products Division
Mitsubishi Electric & Electronics USA, Inc.

3400 Lawrenceville Suwanee Rd.
Suwanee, GA 30024
Tele: 678-376-2900 • Fax: 800-889-9904
Toll Free: 800-433-4822 (#4)
www.mehvac.com



Mitsubishi Electric Air Conditioning & Refrigeration Systems Works acquired environmental management system standard ISO 14001 certification.

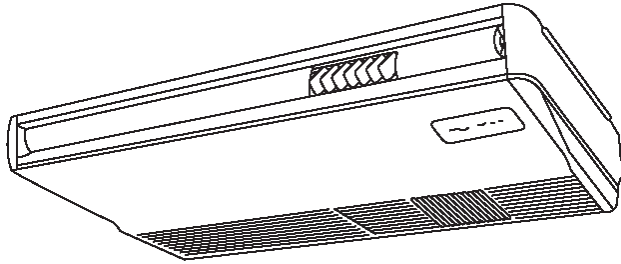
The ISO 14000 series is a set of standards applying to environmental protection set by the International Standard Organization (ISO).

Certificate Number EC97J1227

Job Name: _____

Drawing Reference: _____

Schedule No. _____



GENERAL FEATURES

- R410A or R22 refrigerant-compatible
- Adjustable airflow angle
- Four-speed fan setting
- Powerful airflow (CFM)
- Outside air intake option
- Multiple sizes up to 36,000 Btu/h
- Quiet operation: 29-44 dB(A)

SPECIFICATIONS

Capacity*

Cooling 24,000 Btu/h
 Heating 27,000 Btu/h

Power

Power Source 208 / 230V, 1 phase, 60Hz
 Power Consumption
 Cooling 0.09 kW
 Heating 0.09 kW

Current

Cooling 0.45 A
 Heating 0.45 A
 Minimum Circuit Ampacity (MCA) 0.56 A
 Maximum Overcurrent Protection (MOCP) 15A

External Finish Polyester painted steel sheet
 Plastic 0.70Y 8.59/0.97

Dimensions

Inches 8-9/32 h x 51-19/32 w x 26-25/32 d
 mm 210 h x 1310 w x 680 d

Net Weight 75 lb / 34 kg

Coil Type Cross fin

Fan

Type x Quantity Sirocco x 3
 Airflow Rate (Low-Mid1-Mid2-High) . . 424-494-565-636 CFM
 Motor
 Type Single phase induction motor
 Output 0.070 kW

Air Filter PP honeycomb

Refrigerant Pipe Dimensions

R410A or R22
 Liquid 3/8" / 9.52 mm flare
 Gas 5/8" / 15.88 mm flare

Drainpipe Dimension O.D. 1-1/32" / 26 mm

Sound Level (Low-Mid1-Mid2-High) . . 32-34-37-39 dB(A)

Options

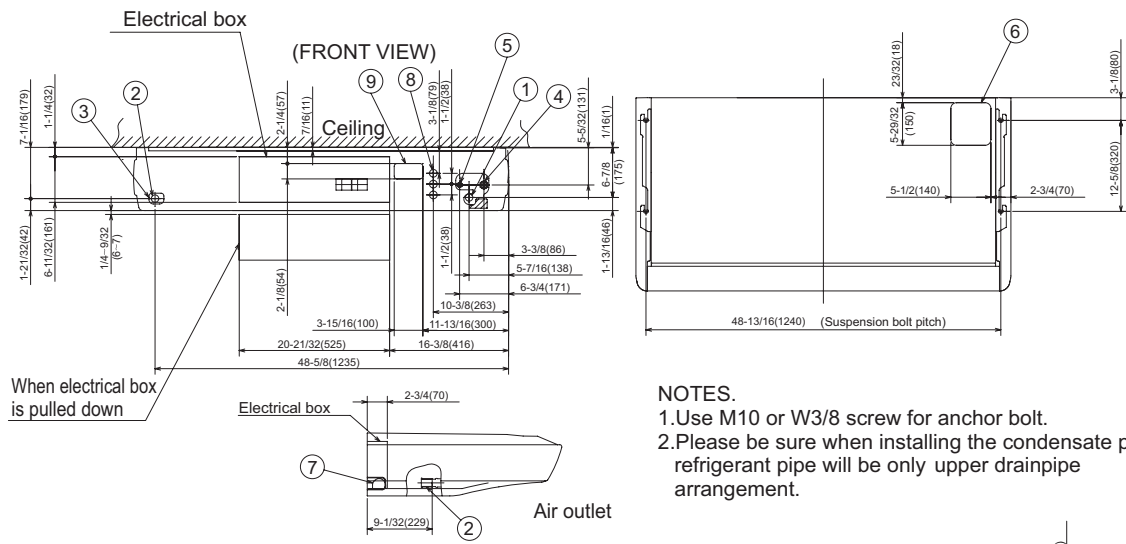
70% medium efficiency filter PAC-SE81KF-E

* Cooling / Heating capacity indicated the maximum value at operation under the following conditions:
 Cooling: Indoor 80°F (27°C) DB / 67°F (19°C) WB, Outdoor 95°F (35°C) DB
 Heating: Indoor 70°F (21°C) DB, Outdoor 47°F (8°C) DB / 43°F (6°C) WB

** Ventilation air: providing sufficient ventilation air is an important part of every building design. ASHRAE Standard 62 provides the minimum ventilation air requirements. Also check local codes.

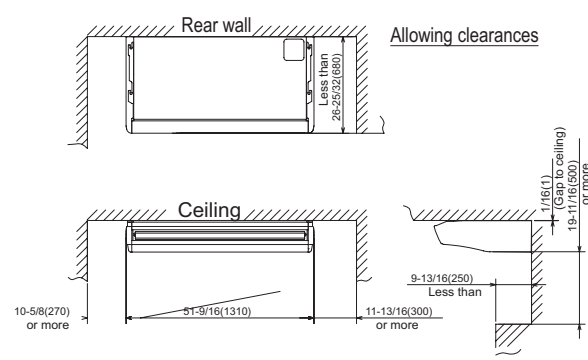
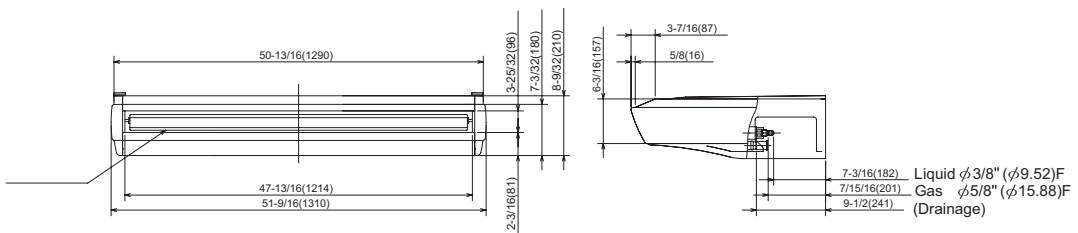
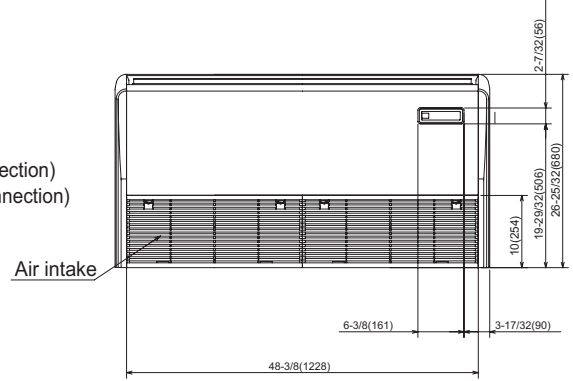
Notes:

Model: PCFY-P24NGMU-E



NOTES.
 1. Use M10 or W3/8 screw for anchor bolt.
 2. Please be sure when installing the condensate pump, refrigerant pipe will be only upper drainpipe arrangement.

- ① Drainage pipe connection (1-1/32(26mm)I.D.)
- ② Drainage pipe connection (for the left arrangement)
- ③ Knockout hole for left drain-piping arrangement
- ④ Refrigerant-pipe connection (gas pipe side/flared connection)
- ⑤ Refrigerant-pipe connection (liquid pipe side/flared connection)
- ⑥ Knockout hole for upper drainpipe arrangement
- ⑦ Knockout hole for left drainpipe arrangement
- ⑧ Knockout hole for wiring arrangement
- ⑨ Knockout hole for outside air intake



Mitsubishi Electric Air Conditioning & Refrigeration Systems Works acquired ISO 9001 certification under Series 9000 of the International Standard Organization (ISO) based on a review of quality warranties for the production of refrigeration and air conditioning equipment.

ISO Authorization System
 The ISO 9000 series is a plant authorization system relating to quality warranties as stipulated by the ISO. ISO 9001 certifies quality warranties based on the "design, development, production, installation and auxiliary services" for products built at an authorized plant.



HVAC Advanced Products Division
 Mitsubishi Electric & Electronics USA, Inc.



Mitsubishi Electric Air Conditioning & Refrigeration Systems Works acquired environmental management system standard ISO 14001 certification.

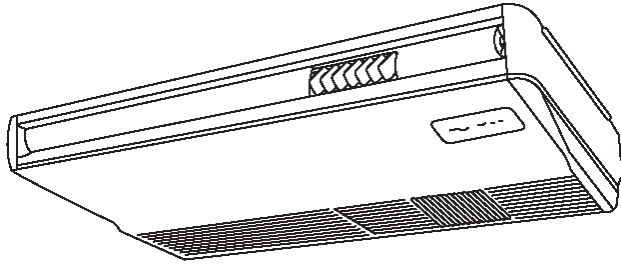
The ISO 14000 series is a set of standards applying to environmental protection set by the International Standard Organization (ISO).

3400 Lawrenceville Suwanee Rd.
 Suwanee, GA 30024
 Tele: 678-376-2900 • Fax: 800-889-9904
 Toll Free: 800-433-4822 (#4)
 www.mehvac.com

Job Name: _____

Drawing Reference: _____

Schedule No. _____



GENERAL FEATURES

- R410A or R22 refrigerant-compatible
- Adjustable airflow angle
- Four-speed fan setting
- Powerful airflow (CFM)
- Outside air intake option
- Multiple sizes up to 36,000 Btu/h
- Quiet operation: 29-44 dB(A)

SPECIFICATIONS

Capacity*

Cooling 30,000 Btu/h
 Heating 34,000 Btu/h

Power

Power Source 208 / 230V, 1 phase, 60Hz
 Power Consumption
 Cooling 0.23 kW
 Heating 0.23 kW

Current

Cooling 1.12 A
 Heating 1.12 A
 Minimum Circuit Ampacity (MCA) 1.40 A
 Maximum Overcurrent Protection (MOCP) 15A

External Finish Polyester painted steel sheet
Plastic 0.70Y 8.59/0.97

Dimensions

Inches 10-21/32 h x 51-19/32 w x 26-25/32 d
 mm 270 h x 1310 w x 680 d

Net Weight 82 lb / 37 kg

Coil Type Cross fin

Fan

Type x Quantity Sirocco x 3
 Airflow Rate (Low-Mid1-Mid2-High) . . 636-706-812-883 CFM
 Motor
 Type Single phase induction motor
 Output 0.090 kW

Air Filter PP honeycomb

Refrigerant Pipe Dimensions

R410A or R22
 Liquid 3/8" / 9.52 mm flare
 Gas 5/8" / 15.88 mm flare

Drainpipe Dimension O.D. 1-1/32" / 26 mm

Sound Level (Low-Mid1-Mid2-High) . . 36-38-41-43 dB(A)

Options

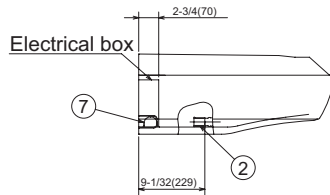
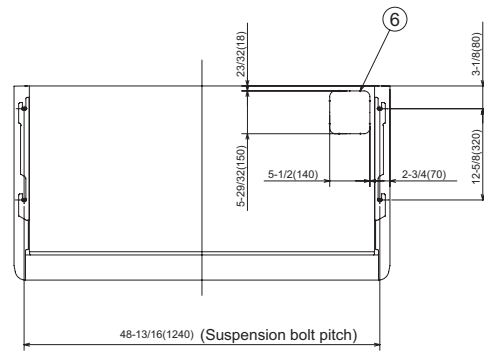
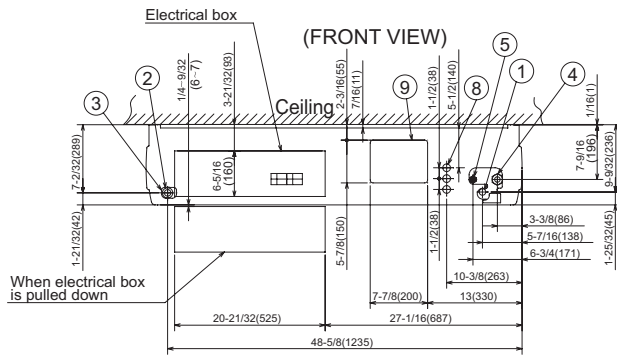
70% medium efficiency filter PAC-SE81KF-E

* Cooling / Heating capacity indicated the maximum value at operation under the following conditions:
 Cooling: Indoor 80°F (27°C) DB / 67°F (19°C) WB, Outdoor 95°F (35°C) DB
 Heating: Indoor 70°F (21°C) DB, Outdoor 47°F (8°C) DB / 43°F (6°C) WB

** Ventilation air: providing sufficient ventilation air is an important part of every building design. ASHRAE Standard 62 provides the minimum ventilation air requirements. Also check local codes.

Notes:

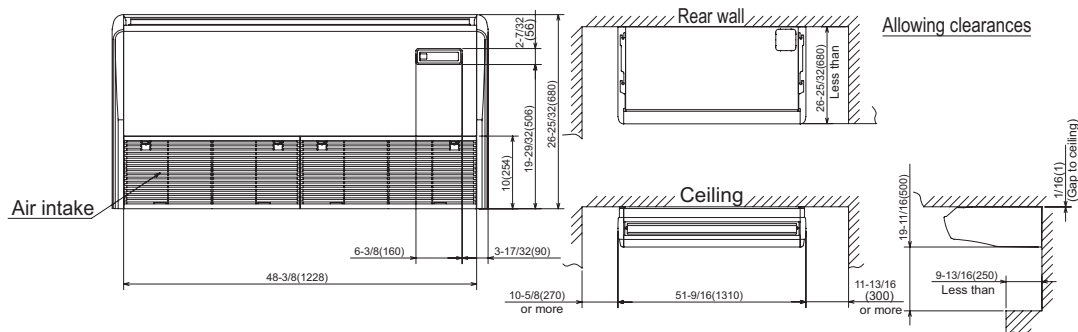
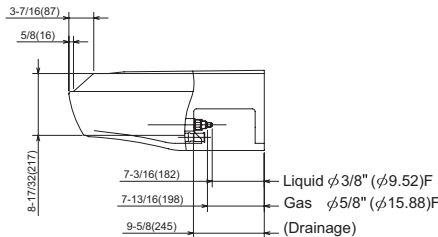
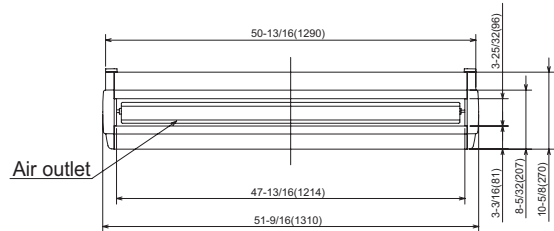
Model: PCFY-P30NGMU-E



NOTES.

1. Use M10 or W3/8 screw for anchor bolt.
2. Please be sure when installing the condensate pump, refrigerant pipe will be only upper drainpipe arrangement.

- ① Drainage pipe connection(1-1/32(26mm)I.D.)
- ② Drainage pipe connection (for the left arrangement)
- ③ Knockout hole for left drain-piping arrangement
- ④ Refrigerant-pipe connection (gas pipe side/flared connection)
- ⑤ Refrigerant-pipe connection (liquid pipe side/flared connection)
- ⑥ Knockout hole for upper drainpipe arrangement
- ⑦ Knockout hole for left drainpipe arrangement
- ⑧ Knockout hole for wiring arrangement
- ⑨ Knockout hole for outside air intake



Certificate Number FM33568

Mitsubishi Electric Air Conditioning & Refrigeration Systems Works acquired ISO 9001 certification under Series 9000 of the International Standard Organization (ISO) based on a review of quality warranties for the production of refrigeration and air conditioning equipment.

ISO Authorization System

The ISO 9000 series is a plant authorization system relating to quality warranties as stipulated by the ISO. ISO 9001 certifies quality warranties based on the "design, development, production, installation and auxiliary services" for products built at an authorized plant.



Certificate Number EC97J1227

Mitsubishi Electric Air Conditioning & Refrigeration Systems Works acquired environmental management system standard ISO 14001 certification.

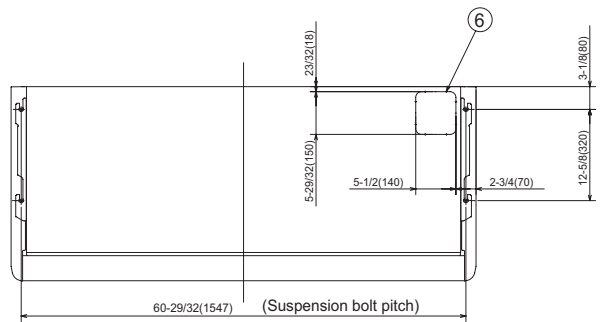
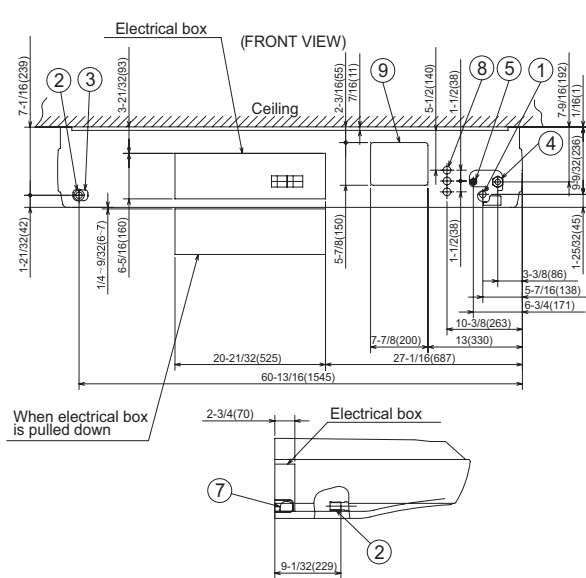
The ISO 14000 series is a set of standards applying to environmental protection set by the International Standard Organization (ISO).



HVAC Advanced Products Division
Mitsubishi Electric & Electronics USA, Inc.

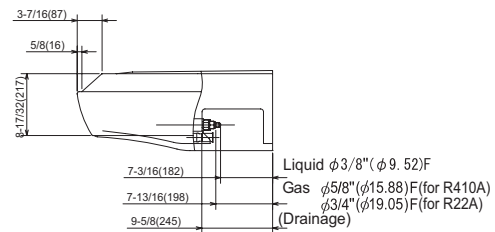
3400 Lawrenceville Suwanee Rd.
Suwanee, GA 30024
Tel: 678-376-2900 • Fax: 800-889-9904
Toll Free: 800-433-4822 (#4)
www.mehvac.com

Model: PCFY-P36NGMU-E

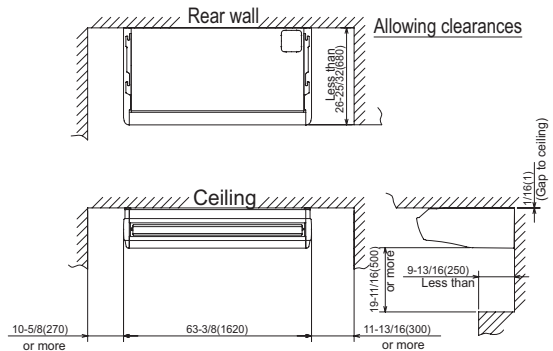
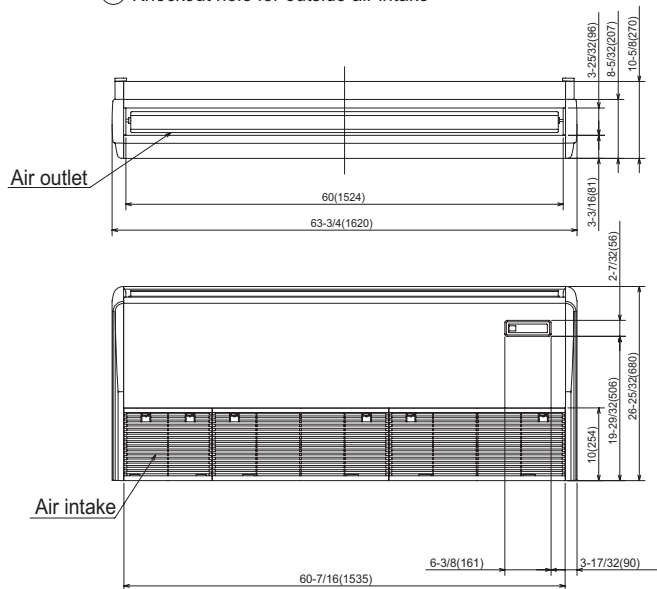


NOTES.

1. Use M10 or W3/8 screw for anchor bolt.
2. Please be sure when installing the condensate pump, refrigerant pipe will be only upper drainpipe arrangement.



- ① Drainage pipe connection(1-1/32(26mm)I.D.)
- ② Drainage pipe connection (for the left arrangement)
- ③ Knockout hole for left drain-piping arrangement
- ④ Refrigerant-pipe connection (gas pipe side/flared connection)
- ⑤ Refrigerant-pipe connection (liquid pipe side/flared connection)
- ⑥ Knockout hole for upper drainpipe arrangement
- ⑦ Knockout hole for left drainpipe arrangement
- ⑧ Knockout hole for wiring arrangement
- ⑨ Knockout hole for outside air intake



Certificate Number FM33568

Mitsubishi Electric Air Conditioning & Refrigeration Systems Works acquired ISO 9001 certification under Series 9000 of the International Standard Organization (ISO) based on a review of quality warranties for the production of refrigeration and air conditioning equipment.

ISO Authorization System
The ISO 9000 series is a plant authorization system relating to quality warranties as stipulated by the ISO. ISO 9001 certifies quality warranties based on the "design, development, production, installation and auxiliary services" for products built at an authorized plant.



Certificate Number EC97J1227

Mitsubishi Electric Air Conditioning & Refrigeration Systems Works acquired environmental management system standard ISO 14001 certification.

The ISO 14000 series is a set of standards applying to environmental protection set by the International Standard Organization (ISO).



HVAC Advanced Products Division
Mitsubishi Electric & Electronics USA, Inc.

3400 Lawrenceville Suwanee Rd.
Suwanee, GA 30024
Tele: 678-376-2900 • Fax: 800-889-9904
Toll Free: 800-433-4822 (#4)
www.mehvac.com