

38VMH072-432
Outdoor Unit for
Variable Refrigerant Flow (VRF) Heat Pump System

Engineering Data Book



Table of Contents

I.	Heat Pump Basic Information.....	3
1.	Specifications.....	3
a.	38VMA***HDS5-1.....	3
b.	38VMA***HDS6-1.....	11
c.	Connected Capacity Ratio Restrictions.....	19
2.	Performance Data.....	19
a.	Ducted Indoor Units.....	19
b.	Non-ducted Indoor Units.....	20
3.	Combination Table.....	20
4.	Indoor Unit Offering Table.....	21
5.	Center of Gravity.....	22
6.	Dimensions.....	22
7.	Refrigerant Circuit Diagrams.....	23
8.	Wiring Diagrams.....	26
9.	Field Wiring.....	30
10.	Electric Characteristics.....	31
11.	Safety Devices.....	32
12.	Equipment Selection.....	33
a.	Selection Flow Chart.....	33
b.	Connected Capacity Ratio.....	34
c.	Corrections for Piping Length and Height.....	34
d.	Corrections for Heating Defrost Cycles.....	35
e.	Temperature Operation Limits.....	35
II.	Sound Data.....	36
1.	Sound Pressure Levels.....	36
2.	NC Curves.....	36
III.	Refrigerant Piping Design.....	41
1.	Piping scheme.....	41
a.	System Piping.....	41
b.	Indoor Unit Branch.....	45
c.	Outdoor Unit Branch.....	45
2.	Refrigerant Charge Calculation.....	48
IV.	Capacity Data Tables.....	49
1.	Cooling Capacity.....	49
a.	Single Units.....	49
b.	Double Units.....	62
c.	Triple Units.....	81
2.	Heating Capacity.....	101
a.	Single Units.....	101
b.	Double Units.....	110
c.	Triple Units.....	125

I. Heat Pump Basic Information

1. Specifications

a. 38VMA***HDS5-1

Table 1 - Data Table

MODEL NAME			38VMA072HDS5-1	38VMA096HDS5-1
Power Source	V-Ph-Hz		208/230-3-60	208/230-3-60
Capacity Cooling*1	Btu/h		72,000	96,000
Capacity Heating*1	Btu/h		80,000	108,000
Operating Range Cooling	Indoor	WB°F	59~75	59~75
	Outdoor	DB°F	5~125	5~125
Operating Range Heating	Indoor	DB°F	54~86	54~86
	Outdoor	WB°F	-5~64	-5~64
Electrical Supply	MCA	A	45	46
	Recommended Fuse Size	A	50	50
Compressor	Type x Quantity		INVERTER-driven Scroll Hermetic x 1	INVERTER-driven Scroll Hermetic x 1
	Crankcase	W	30 x 2	30 x 2
Fan	Type x Quantity		Propeller Fan x 2	Propeller Fan x 2
	Air flow rate	cfm	7650	7650
	Max. External static pressure (ESP)*2		0.24 in. WG	0.24 in. WG
Fan Motor	Type		Brushless DC MOTOR	Brushless DC MOTOR
	Output	W	270 + 270	270 + 270
Heat Exchanger			Inner Groove Copper Tube and Hydrophilic Aluminum fin	Inner Groove Copper Tube and Hydrophilic Aluminum fin
Refrigerant	Type		R410A	R410A
	Factory charge*3	lbs	37.5	37.5
Dimensions	H (in)		64-3/8	64-3/8
	W (in)		52-3/4	52-3/4
	D (in)		31-7/64	31-7/64
Net Weight	lbs		659	659
Sound pressure level*4	dB(A)		62.5	63.0
Protective devices	High Pressure Protection		High pressure sensor, High pressure switch at 4.0MPa	High pressure sensor, High pressure switch at 4.0MPa
	Inverter circuit (Comp. / Fan)		Overheat and Overcurrent protection	Overheat and Overcurrent protection
Piping Connections	Low Pressure	In	7/8	7/8
	High Pressure	In	3/8	3/8
Indoor unit	Total connected capacity*5		50%-135%	50%-135%
	Quantity (MAX)		13	16

*1 Rated per AHRI (Air-Conditioning, Heating and Refrigeration Institute) 1230 Standard.

Cooling: Indoor 80°F (27°C) db/67°F (20°C) wb; Outdoor 95°F (35°C) db

Heating: Indoor 70°F (21°C) db; Outdoor 47°F (8°C) db/43°F (6°C) wb

Remark

*2 Factory default is 0 in.wg. Setting is required for 0.08 in.wg, 0.16 in.wg, and 0.24 in.wg.

*3 Refrigerant must be added on site in accordance with the actual piping length.

*4 These values are measured in anechoic chamber at a point 3.3 ft. in front and at a height of 4.6 ft. from the base of the unit.

*5 Refer to section 1.c Connected Capacity Ratio Restrictions.

Table 2 - Data Table

MODEL NAME			38VMA120HDS5-1	38VMA144HDS5-1
Power Source		V-Ph-Hz	208/230-3-60	208/230-3-60
Capacity Cooling*1		Btu/h	120,000	144,000
Capacity Heating*1		Btu/h	126,000	160,000
Operating Range Cooling	Indoor	WB°F	59~75	59~75
	Outdoor	DB°F	5~125	5~125
Operating Range Heating	Indoor	DB°F	54~86	54~86
	Outdoor	WB°F	-5~64	-5~64
Electrical Supply	MCA	A	46	70
	Recommended Fuse Size	A	50	80
Compressor	Type x Quantity		INVERTER-driven Scroll Hermetic x 1	INVERTER-driven Scroll Hermetic x 2
	Crankcase	W	30 x 2	30 x 4
Fan	Type x Quantity		Propeller Fan x 2	Propeller Fan x 2
	Air flow rate	cfm	8250	8830
	Max. External static pressure (ESP)*2		0.24 in. WG	0.24 in. WG
Fan Motor	Type		Brushless DC MOTOR	Brushless DC MOTOR
	Output	W	270 + 270	340 + 300
Heat Exchanger			Inner Groove Copper Tube and Hydrophilic Aluminum fin	Inner Groove Copper Tube and Hydrophilic Aluminum fin
Refrigerant	Type		R410A	R410A
	Factory charge*3	lbs	37.5	37.5
Dimensions	H (in)		64-3/8	64-3/8
	W (in)		52-3/4	52-3/4
	D (in)		31-7/64	31-7/64
Net Weight		lbs	659	780
Sound pressure level *4		dBa	63.0	65.5
Protective devices	High Pressure Protection		High pressure sensor, High pressure switch at 4.0MPa	High pressure sensor, High pressure switch at 4.0MPa
	Inverter circuit (Comp. / Fan)		Overheat and Overcurrent protection	Overheat and Overcurrent protection
Piping Connections	Low Pressure	In	1-1/8	1-1/8
	High Pressure	In	1/2	1/2
Indoor unit	Total connected capacity*5		50%-135%	50%-135%
	Quantity (Max)		20	26

Remark

*1 Rated per AHRI (Air-Conditioning, Heating and Refrigeration Institute) 1230 Standard.
 Cooling: Indoor 80°F (27°C) db/67°F (20°C) wb; Outdoor 95°F (35°C) db
 Heating: Indoor 70°F (21°C) db; Outdoor 47°F (8°C) db/43°F (6°C) wb

*2 Factory default is 0 in.wg. Setting is required for 0.08 in.wg, 0.16 in.wg, and 0.24 in.wg.

*3 Refrigerant must be added on site in accordance with the actual piping length.

*4 These values are measured in anechoic chamber at a point 3.3 ft. in front and at a height of 4.6 ft. from the base of the unit.

*5 Refer to section 1.c Connected Capacity Ratio Restrictions.

Table 3 - Data Table

MODEL NAME			38VMA168HDS5-1	38VMA192HDS5-1
Power Source		V-Ph-Hz	208/230-3-60	208/230-3-60
Capacity Cooling*1		Btu/h	168,000	192,000
Capacity Heating*1		Btu/h	188,000	216,000
Operating Range Cooling	Indoor	WB°F	59~75	59~75
	Outdoor	DB°F	5~125	5~125
Operating Range Heating	Indoor	DB°F	54~86	54~86
	Outdoor	WB°F	-5~64	-5~64
Electrical Supply	MCA	A	45 + 46	46 x 2
	Recommended Fuse Size	A	50 x 2	50 x 2
Compressor	Type x Quantity		INVERTER-driven Scroll Hermetic x2	INVERTER-driven Scroll Hermetic x 2
	Crankcase	W	30 x 4	30 x 4
Fan	Type x Quantity		Propeller Fan x 4	Propeller Fan x 4
	Air flow rate	cfm	7650 + 7650	7650 + 7650
	Max. External static pressure (ESP)*2		0.24 in. WG (0Pa)	0.24 in. WG (0Pa)
Fan Motor	Type		Brushless DC MOTOR	Brushless DC MOTOR
	Output	W	(270 + 270) x 2	(270 + 270) x 2
Heat Exchanger			Inner Groove Copper Tube and Hydrophilic Aluminum fin	Inner Groove Copper Tube and Hydrophilic Aluminum fin
Refrigerant	Type		R410A	R410A
	Factory charge*3	lbs	37.5 x 2	37.5 x 2
Dimensions	H (in)		64-3/8 x 2	64-3/8 x 2
	W (in)		52-3/4 x 2	52-3/4 x 2
	D (in)		31-7/64 x 2	31-7/64 x 2
Net Weight		lbs	659 + 659	659 + 659
Sound pressure level *4		dBA	65.0	65.0
Protective devices	High Pressure Protection		High pressure sensor, High pressure switch at 4.0MPa	High pressure sensor, High pressure switch at 4.0MPa
	Inverter circuit (Comp. / Fan)		Overheat and Overcurrent protection	Overheat and Overcurrent protection
Piping Connections	Low Pressure	In	1-1/8	1-1/8
	High Pressure	In	5/8	5/8
Indoor unit	Total connected capacity*5		50%-135%	50%-135%
	Quantity (MAX)		29	33

Remark

*1 Rated per AHRI (Air-Conditioning, Heating and Refrigeration Institute) 1230 Standard.
 Cooling: Indoor 80°F (27°C) db/67°F (20°C) wb; Outdoor 95°F (35°C) db
 Heating: Indoor 70°F (21°C) db; Outdoor 47°F (8°C) db/43°F (6°C) wb

*2 Factory default is 0 in.wg. Setting is required for 0.08 in.wg, 0.16 in.wg, and 0.24 in.wg.

*3 Refrigerant must be added on site in accordance with the actual piping length.

*4 These values are measured in anechoic chamber at a point 3.3 ft. in front and at a height of 4.6 ft. from the base of the unit.

*5 Refer to section 1.c Connected Capacity Ratio Restrictions.

Table 4 - Data Table

MODEL NAME			38VMA216HDS5-1	38VMA240HDS5-1
Power Source		V-Ph-Hz	208/230-3-60	208/230-3-60
Capacity Cooling*1		Btu/h	216,000	240,000
Capacity Heating*1		Btu/h	234,000	252,000
Operating Range Cooling	Indoor	WB°F	59~75	59~75
	Outdoor	DB°F	5~125	5~125
Operating Range Heating	Indoor	DB°F	54~86	54~86
	Outdoor	WB°F	-5~64	-5~64
Electrical Supply	MCA	A	46 x 2	46 x 2
	Recommended Fuse Size	A	50 x 2	50 x 2
Compressor	Type x Quantity		INVERTER-driven Scroll Hermetic x2	INVERTER-driven Scroll Hermetic x 2
	Crankcase	W	30 x 4	30 x 4
Fan	Type x Quantity		Propeller Fan x 4	Propeller Fan x 4
	Air flow rate	cfm	7650 + 8250	8250 + 8250
	Max. External static pressure (ESP)*2		0.24 in. WG	0.24 in. WG
Fan Motor	Type		Brushless DC MOTOR	Brushless DC MOTOR
	Output	W	(270 + 270) x 2	(270 + 270) x 2
Heat Exchanger			Inner Groove Copper Tube and Hydrophilic Aluminum fin	Inner Groove Copper Tube and Hydrophilic Aluminum fin
Refrigerant	Type		R410A	R410A
	Factory charge*3	lbs	37.5 x 2	37.5 x 2
Dimensions	H (in)		64-3/8 x 2	64-3/8 x 2
	W (in)		52-3/4 x 2	52-3/4 x 2
	D (in)		31-7/64 x 2	31-7/64 x 2
Net Weight		lbs	659 + 659	659 + 659
Sound pressure level *4		dB(A)	65.0	65.0
Protective devices	High Pressure Protection		High pressure sensor, High pressure switch at 4.0MPa	High pressure sensor, High pressure switch at 4.0MPa
	Inverter circuit (Comp. / Fan)		Overheat and Overcurrent protection	Overheat and Overcurrent protection
Piping Connections	Low Pressure	In	1-1/8	1-1/8
	High Pressure	In	5/8	5/8
Indoor unit	Total connected capacity*5		50%-135%	50%-135%
	Quantity (MAX)		36	39

*1 Rated per AHRI (Air-Conditioning, Heating and Refrigeration Institute) 1230 Standard.

Cooling: Indoor 80°F (27°C) db/67°F (20°C) wb; Outdoor 95°F (35°C) db

Heating: Indoor 70°F (21°C) db; Outdoor 47°F (8°C) db/43°F (6°C) wb

Remark

*2 Factory default is 0 in.wg. Setting is required for 0.08 in.wg, 0.16 in.wg, and 0.24 in.wg.

*3 Refrigerant must be added on site in accordance with the actual piping length.

*4 These values are measured in anechoic chamber at a point 3.3 ft. in front and at a height of 4.6 ft. from the base of the unit.

*5 Refer to section 1.c Connected Capacity Ratio Restrictions.

Table 5 - Data Table

MODEL NAME			38VMA264HDS5-1	38VMA288HDS5-1
Power Source		V-Ph-Hz	208/230-3-60	208/230-3-60
Capacity Cooling*1		Btu/h	264,000	288,000
Capacity Heating*1		Btu/h	286,000	320,000
Temp. range of cooling	Indoor	WB°F	59~75	59~75
	Outdoor	DB°F	5~125	5~125
Temp. range of heating	Indoor	DB°F	54~86	54~86
	Outdoor	WB°F	-5~64	-5~64
Electrical Supply	MCA	A	46 + 70	70 x 2
	Recommended Fuse Size	A	80 + 50	80 x 2
Compressor	Type x Quantity		INVERTER-driven Scroll Hermetic x3	INVERTER-driven Scroll Hermetic x 4
	Crankcase	W	30 x 6	30 x 8
Fan	Type x Quantity		Propeller Fan x 4	Propeller Fan x 4
	Air flow rate	cfm	8250 + 8830	8830 + 8830
	Max. External static pressure (ESP)*2		0.24 in. WG	0.24 in. WG
Fan Motor	Type		Brushless DC MOTOR	Brushless DC MOTOR
	Output	W	(270 + 270) + (340 + 300)	(340 + 300) + (340 + 300)
Heat Exchanger			Inner Groove Copper Tube and Hydrophilic Aluminum fin	Inner Groove Copper Tube and Hydrophilic Aluminum fin
Refrigerant	Type		R410A	R410A
	Factory charge*3	lbs	37.5 x 2	37.5 x 2
Dimensions	H (in)		64-3/8 x 2	64-3/8 x 2
	W (in)		52-3/4 x 2	52-3/4 x 2
	D (in)		31-7/64 x 2	31-7/64 x 2
Net Weight		lbs	659 + 780	780 x 2
Sound pressure level *4		dBA	66.5	67.5
Protective devices	High Pressure Protection		High pressure sensor, High pressure switch at 4.0MPa	High pressure sensor, High pressure switch at 4.0MPa
	Inverter circuit (Comp. / Fan)		Overheat and Overcurrent protection	Overheat and Overcurrent protection
Piping Connections	Low Pressure	In	1-3/8	1-3/8
	High Pressure	In	3/4	3/4
Indoor unit	Total connected capacity*5		50%-135%	50%-135%
	Quantity (MAX)		46	50

*1 Rated per AHRI (Air-Conditioning, Heating and Refrigeration Institute) 1230 Standard.

Cooling: Indoor 80°F (27°C) db/67°F (20°C) wb; Outdoor 95°F (35°C) db

Heating: Indoor 70°F (21°C) db; Outdoor 47°F (8°C) db/43°F (6°C) wb

Remark

*2 Factory default is 0 in.wg. Setting is required for 0.08 in.wg, 0.16 in.wg, and 0.24 in.wg.

*3 Refrigerant must be added on site in accordance with the actual piping length.

*4 These values are measured in anechoic chamber at a point 3.3 ft. in front and at a height of 4.6 ft. from the base of the unit.

*5 Refer to section 1.c Connected Capacity Ratio Restrictions.

Table 6 - Data Table

MODEL NAME			38VMA312HDS5-1	38VMA336HDS5-1
Power Source		V-Ph-Hz	208/230-3-60	208/230-3-60
Capacity Cooling*1		Btu/h	312,000	336,000
Capacity Heating*1		Btu/h	342,000	360,000
Operating Range Cooling	Indoor	WB°F	59~75	59~75
	Outdoor	DB°F	5~125	5~125
Operating Range Heating	Indoor	DB°F	54~86	54~86
	Outdoor	WB°F	-5~64	-5~64
Electrical Supply	MCA	A	46 x 3	46 x 3
	Recommended Fuse Size	A	50 x 3	50 x 3
Compressor	Type x Quantity		INVERTER-driven Scroll Hermetic x3	INVERTER-driven Scroll Hermetic x3
	Crankcase	W	30 x 6	30 x 6
Fan	Type x Quantity		Propeller Fan x 6	Propeller Fan x 6
	Air flow rate	cfm	7650 + 7650 + 8250	7650 + 8250 + 8250
	Max. External static pressure (ESP)*2		0.24 in. WG	0.24 in. WG
Fan Motor	Type		Brushless DC MOTOR	Brushless DC MOTOR
	Output	W	(270 + 270) x 3	(270 + 270) x 3
Heat Exchanger			Inner Groove Copper Tube and Hydrophilic Aluminum fin	Inner Groove Copper Tube and Hydrophilic Aluminum fin
Refrigerant	Type		R410A	R410A
	Factory charge*3		lbs	37.5 x 3
Dimensions	H (in)		64-3/8 x 3	64-3/8 x 3
	W (in)		52-3/4 x 3	52-3/4 x 3
	D (in)		31-7/64 x 3	31-7/64 x 3
Net Weight		lbs	659 x 3	659 x 3
Sound pressure level *4		dBA	66.5	66.5
Protective devices	High Pressure Protection		High pressure sensor, High pressure switch at 4.0MPa	High pressure sensor, High pressure switch at 4.0MPa
	Inverter circuit (Comp. / Fan)		Overheat and Overcurrent protection	Overheat and Overcurrent protection
Piping connections	Low Pressure	In	1-3/8	1-3/8
	High Pressure	In	3/4	3/4
Indoor unit	Total connected capacity*5		50%-135%	50%-135%
	Quantity (MAX)		53	56

*1 Rated per AHRI (Air-Conditioning, Heating and Refrigeration Institute) 1230 Standard.

Cooling: Indoor 80°F (27°C) db/67°F (20°C) wb; Outdoor 95°F (35°C) db

Heating: Indoor 70°F (21°C) db; Outdoor 47°F (8°C) db/43°F (6°C) wb

Remark *2 Factory default is 0 in.wg. Setting is required for 0.08 in.wg, 0.16 in.wg, and 0.24 in.wg.

*3 Refrigerant must be added on site in accordance with the actual piping length.

*4 These values are measured in anechoic chamber at a point 3.3 ft. in front and at a height of 4.6 ft. from the base of the unit.

*5 Refer to section 1.c Connected Capacity Ratio Restrictions.

Table 7 - Data Table

MODEL NAME			38VMA360HDS5-1	38VMA384HDS5-1
Power Source		V-Ph-Hz	208/230-3-60	208/230-3-60
Capacity Cooling*1		Btu/h	360,000	384,000
Capacity Heating*1		Btu/h	378,000	412,000
Operating Range Cooling	Indoor	WB°F	59~75	59~75
	Outdoor	DB°F	5~125	5~125
Operating Range Heating	Indoor	DB°F	54~86	54~86
	Outdoor	WB°F	-5~64	-5~64
Electrical Supply	MCA	A	46 x 3	(46 x 2) + 70
	Recommended Fuse Size	A	50 x 3	(50 x 2) + 80
Compressor	Type x Quantity		INVERTER-driven Scroll Hermetic x3	INVERTER-driven Scroll Hermetic x4
	Crankcase	W	30 x 6	30 x 8
Fan	Type x Quantity		Propeller Fan x 6	Propeller Fan x 6
	Air flow rate	cfm	8250 + 8250 + 8250	8250 + 8250 + 8830
	Max. External static pressure (ESP)*2		0.24 in. WG	0.24 in. WG
Fan Motor	Type		Brushless DC MOTOR	Brushless DC MOTOR
	Output	W	(270 + 270) x 3	(270 + 270) x 2 + (340 + 300)
Heat Exchanger			Inner Groove Copper Tube and Hydrophilic Aluminum fin	Inner Groove Copper Tube and Hydrophilic Aluminum fin
Refrigerant	Type		R410A	R410A
	Factory charge*3		lbs	37.5 x 3
Dimensions	H (in)		64-3/8 x 3	64-3/8 x 3
	W (in)		52-3/4 x 3	52-3/4 x 3
	D (in)		31-7/64 x 3	31-7/64 x 3
Net Weight		lbs	659 x 3	(659 x 2) + 780
Sound pressure level *4		dBA	66.5	67.0
Protective devices	High Pressure Protection		High pressure sensor, High pressure switch at 4.0MPa	High pressure sensor, High pressure switch at 4.0MPa
	Inverter circuit (Comp. / Fan)		Overheat and Overcurrent protection	Overheat and Overcurrent protection
Piping Connections	Low Pressure	In	1-3/8	1-3/8
	High Pressure	In	3/4	3/4
Indoor unit	Total connected capacity*5		50%-135%	50%-135%
	Quantity (MAX)		59	63

*1 Rated per AHRI (Air-Conditioning, Heating and Refrigeration Institute) 1230 Standard.

Cooling: Indoor 80°F (27°C) db/67°F (20°C) wb; Outdoor 95°F (35°C) db

Heating: Indoor 70°F (21°C) db; Outdoor 47°F (8°C) db/43°F (6°C) wb

Remark

*2 Factory default is 0 in.wg. Setting is required for 0.08 in.wg, 0.16 in.wg, and 0.24 in.wg.

*3 Refrigerant must be added on site in accordance with the actual piping length.

*4 These values are measured in anechoic chamber at a point 3.3 ft. in front and at a height of 4.6 ft. from the base of the unit.

*5 Refer to section 1.c Connected Capacity Ratio Restrictions.

Table 8 - Data Table

MODEL NAME			38VMA408HDS5-1	38VMA432HDS5-1
Power Source		V-Ph-Hz	208/230-3-60	208/230-3-60
Capacity Cooling*1		Btu/h	408,000	432,000
Capacity Heating*1		Btu/h	446,000	480,000
Operating Range Cooling	Indoor	WB°F	59~75	59~75
	Outdoor	DB°F	5~125	5~125
Operating Range Heating	Indoor	DB°F	54~86	54~86
	Outdoor	WB°F	-5~64	-5~64
Electrical Supply	MCA	A	(70 x 2) + 46	70 x 3
	Recommended Fuse Size	A	(80 x 2) + 50	80 x 3
Compressor	Type x Quantity		INVERTER-driven Scroll Hermetic x5	INVERTER-driven Scroll Hermetic x6
	Crankcase	W	30 x 10	30 x 12
Fan	Type x Quantity		Propeller Fan x 6	Propeller Fan x 6
	Air flow rate	cfm	8250 + 8830 + 8830	8830 + 8830 + 8830
	Max. External static pressure (ESP)*2		0.24 in. WG	0.24 in. WG
Fan Motor	Type		Brushless DC MOTOR	Brushless DC MOTOR
	Output	W	(270 + 270) + (340 + 300) x 2	(340 + 300) x 3
Heat Exchanger			Inner Groove Copper Tube and Hydrophilic Aluminum fin	Inner Groove Copper Tube and Hydrophilic Aluminum fin
Refrigerant	Type		R410A	R410A
	Factory charge*3	lbs	37.5 x 3	37.5 x 3
Dimensions	H (in)		64-3/8 x 3	64-3/8 x 3
	W (in)		52-3/4 x 3	52-3/4 x 3
	D (in)		31-7/64 x 3	31-7/64 x 3
Net Weight	lbs	(780 x 2) + 659	780 x 3	
Sound pressure level *4	dBA	68.5	69.0	
Protective devices	High Pressure Protection		High pressure sensor, High pressure switch at 4.0MPa	High pressure sensor, High pressure switch at 4.0MPa
	Inverter circuit (Comp. / Fan)		Overheat and Overcurrent protection	Overheat and Overcurrent protection
Piping Connections	Low Pressure	In.	1-3/8	1-3/8
	High Pressure	In.	3/4	3/4
Indoor unit	Total connected capacity*5		50%-135%	50%-135%
	Quantity (MAX)		64	64

*1 Rated per AHRI (Air-Conditioning, Heating and Refrigeration Institute) 1230 Standard.

Cooling: Indoor 80°F (27°C) db/67°F (20°C) wb; Outdoor 95°F (35°C) db

Heating: Indoor 70°F (21°C) db; Outdoor 47°F (8°C) db/43°F (6°C) wb

Remark

*2 Factory default is 0 in.wg. Setting is required for 0.08 in.wg, 0.16 in.wg, and 0.24 in.wg.

*3 Refrigerant must be added on site in accordance with the actual piping length.

*4 These values are measured in anechoic chamber at a point 3.3 ft. in front and at a height of 4.6 ft. from the base of the unit.

*5 Refer to section 1.c Connected Capacity Ratio Restrictions.

b. 38VMA*HDS6-1**

Table 9 - Data Table

MODEL NAME			38VMA072HDS6-1	38VMA096HDS6-1
Power Source		V-Ph-Hz	460-3-60	460-3-60
Capacity Cooling*1		Btu/h	72,000	96,000
Capacity Heating*1		Btu/h	80,000	108,000
Operating Range Cooling	Indoor	WB°F	59~75	59~75
	Outdoor	DB°F	5~125	5~125
Operating Range Heating	Indoor	DB°F	54~86	54~86
	Outdoor	WB°F	-5~64	-5~64
Electrical Supply	MCA	A	22	25
	Recommended Fuse Size	A	30	30
Compressor	Type x Quantity		INVERTER-driven Scroll Hermetic x 1	INVERTER-driven Scroll Hermetic x 1
	Crankcase	W	30 x 2	30 x 2
Fan	Type x Quantity		Propeller Fan x 2	Propeller Fan x 2
	Air flow rate	cfm	7650	7650
	Max. External static pressure (ESP)*2		0.24 in. WG	0.24 in. WG
Fan Motor	Type		Brushless DC MOTOR	Brushless DC MOTOR
	Output	W	270 + 270	270 + 270
Heat Exchanger			Inner Groove Copper Tube and Hydrophilic Aluminum fin	Inner Groove Copper Tube and Hydrophilic Aluminum fin
Refrigerant	Type		R410A	R410A
	Factory charge*3	lbs	37.5	37.5
Dimensions	H (in)		64-3/8	64-3/8
	W (in)		52-3/4	52-3/4
	D (in)		31-7/64	31-7/64
Net Weight		lbs	659	659
Sound pressure level *4		dBA	62.5	63.0
Protective devices	High Pressure Protection		High pressure sensor, High pressure switch at 4.0MPa	High pressure sensor, High pressure switch at 4.0MPa
	Inverter circuit (Comp. / Fan)		Overheat and Overcurrent protection	Overheat and Overcurrent protection
Piping Connections	Low Pressure	In.	7/8	7/8
	High Pressure	In.	3/8	3/8
Indoor unit	Total connected capacity*5		50%-135%	50%-135%
	Quantity (MAX)		13	16

*1 Rated per AHRI (Air-Conditioning, Heating and Refrigeration Institute) 1230 Standard.

Cooling: Indoor 80°F (27°C) db/67°F (20°C) wb; Outdoor 95°F (35°C) db

Heating: Indoor 70°F (21°C) db; Outdoor 47°F (8°C) db/43°F (6°C) wb

Remark

*2 Factory default is 0 in.wg. Setting is required for 0.08 in.wg, 0.16 in.wg, and 0.24 in.wg.

*3 Refrigerant must be added on site in accordance with the actual piping length.

*4 These values are measured in anechoic chamber at a point 3.3 ft. in front and at a height of 4.6 ft. from the base of the unit.

*5 Refer to section 1.c Connected Capacity Ratio Restrictions.

Table 10 - Data Table

MODEL NAME			38VMA120HDS6-1	38VMA144HDS6-1
Power Source		V-Ph-Hz	460-3-60	460-3-60
Capacity Cooling*1		Btu/h	120,000	144,000
Capacity Heating*1		Btu/h	126,000	160,000
Operating Range Cooling	Indoor	WB°F	59~75	59~75
	Outdoor	DB°F	5~125	5~125
Operating Range Heating	Indoor	DB°F	54~86	54~86
	Outdoor	WB°F	-5~64	-5~64
Electrical Supply	MCA	A	25	33
	Recommended Fuse Size	A	30	40
Compressor	Type x Quantity		INVERTER-driven Scroll Hermetic x 1	INVERTER-driven Scroll Hermetic x 2
	Crankcase	W	30 x 2	30 x 4
Fan	Type x Quantity		Propeller Fan x 2	Propeller Fan x 2
	Air flow rate	cfm	8250	8830
	Max. External static pressure (ESP)*2		0.24 in. WG	0.24 in. WG
Fan Motor	Type		Brushless DC MOTOR	Brushless DC MOTOR
	Output	W	270 + 270	340 + 300
Heat Exchanger			Inner Groove Copper Tube and Hydrophilic Aluminum fin	Inner Groove Copper Tube and Hydrophilic Aluminum fin
Refrigerant	Type		R410A	R410A
	Factory charge*3	lbs	37.5	37.5
Dimensions	H (in)		64-3/8	64-3/8
	W (in)		52-3/4	52-3/4
	D (in)		31-7/64	31-7/64
Net Weight	lbs		659	772
Sound pressure level *4	dBA		63.0	65.5
Protective devices	High Pressure Protection		High pressure sensor, High pressure switch at 4.0MPa	High pressure sensor, High pressure switch at 4.0MPa
	Inverter circuit (Comp. / Fan)		Overheat and Overcurrent protection	Overheat and Overcurrent protection
Piping Connections	Low Pressure	In.	1-1/8	1-1/8
	High Pressure	In.	1/2	1/2
Indoor unit	Total connected capacity*5		50%-135%	50%-135%
	Quantity (MAX)		20	26

Remark

*1 Rated per AHRI (Air-Conditioning, Heating and Refrigeration Institute) 1230 Standard.
Cooling: Indoor 80°F (27°C) db/67°F (20°C) wb; Outdoor 95°F (35°C) db
Heating: Indoor 70°F (21°C) db; Outdoor 47°F (8°C) db/43°F (6°C) wb

*2 Factory default is 0 in.wg. Setting is required for 0.08 in.wg, 0.16 in.wg, and 0.24 in.wg.

*3 Refrigerant must be added on site in accordance with the actual piping length.

*4 These values are measured in anechoic chamber at a point 3.3 ft. in front and at a height of 4.6 ft. from the base of the unit.

*5 Refer to section 1.c Connected Capacity Ratio Restrictions.

Table 11 - Data Table

MODEL NAME			38VMA168HDS6-1	38VMA192HDS6-1
Power Source		V-Ph-Hz	460-3-60	460-3-60
Capacity Cooling*1		Btu/h	168,000	192,000
Capacity Heating*1		Btu/h	188,000	216,000
Operating Range Cooling	Indoor	WB°F	59~75	59~75
	Outdoor	DB°F	5~125	5~125
Operating Range Heating	Indoor	DB°F	54~86	54~86
	Outdoor	WB°F	-5~64	-5~64
Electrical Supply	MCA	A	22 + 25	25 x 2
	Recommended Fuse Size	A	30 x 2	30 x 2
Compressor	Type x Quantity		INVERTER-driven Scroll Hermetic x2	INVERTER-driven Scroll Hermetic x 2
	Crankcase	W	30 x 4	30 x 4
Fan	Type x Quantity		Propeller Fan x 4	Propeller Fan x 4
	Air flow rate	cfm	7650 + 7650	7650 + 7650
	Max. External static pressure (ESP)*2		0.24 in. WG	0.24 in. WG
Fan Motor	Type		Brushless DC MOTOR	Brushless DC MOTOR
	Output	W	(270 + 270) x 2	(270 + 270) x 2
Heat Exchanger			Inner Groove Copper Tube and Hydrophilic Aluminum fin	Inner Groove Copper Tube and Hydrophilic Aluminum fin
Refrigerant	Type		R410A	R410A
	Factory charge*3	lbs	37.5 x 2	37.5 x 2
Dimensions	H (in)		64-3/8 x 2	64-3/8 x 2
	W (in)		52-3/4 x 2	52-3/4 x 2
	D (in)		31-7/64 x 2	31-7/64 x 2
Net Weight		lbs	659 x 2	659 x 2
Sound pressure level *4		dBA	65.0	65.0
Protective devices	High Pressure Protection		High pressure sensor, High pressure switch at 4.0MPa	High pressure sensor, High pressure switch at 4.0MPa
	Inverter circuit (Comp. / Fan)		Overheat and Overcurrent protection	Overheat and Overcurrent protection
Piping Connections	Low Pressure	In.	1-1/8	1-1/8
	High Pressure	In.	5/8	5/8
Indoor unit	Total connected capacity*5		50%-135%	50%-135%
	Quantity (MAX)		29	33

*1 Rated per AHRI (Air-Conditioning, Heating and Refrigeration Institute) 1230 Standard.

Cooling: Indoor 80°F (27°C) db/67°F (20°C) wb; Outdoor 95°F (35°C) db

Heating: Indoor 70°F (21°C) db; Outdoor 47°F (8°C) db/43°F (6°C) wb

Remark

*2 Factory default is 0 in.wg. Setting is required for 0.08 in.wg, 0.16 in.wg, and 0.24 in.wg.

*3 Refrigerant must be added on site in accordance with the actual piping length.

*4 These values are measured in anechoic chamber at a point 3.3 ft. in front and at a height of 4.6 ft. from the base of the unit.

*5 Refer to section 1.c Connected Capacity Ratio Restrictions.

Table 12 - Data Table

MODEL NAME			38VMA216HDS6-1	38VMA240HDS6-1
Power Source		V-Ph-Hz	460-3-60	460-3-60
Capacity Cooling*1		Btu/h	216000	240000
Capacity Heating*1		Btu/h	234000	252000
Operating Range Cooling	Indoor	WB°F	59~75	59~75
	Outdoor	DB°F	5~125	5~125
Operating Range Heating	Indoor	DB°F	54~86	54~86
	Outdoor	WB°F	-5~64	-5~64
Electrical Supply	MCA	A	25 x 2	25 x 2
	Recommended Fuse Size	A	30 x 2	30 x 2
Compressor	Type x Quantity		INVERTER-driven Scroll Hermetic x2	INVERTER-driven Scroll Hermetic x 2
	Crankcase	W	30 x 4	30 x 4
Fan	Type x Quantity		Propeller Fan x 4	Propeller Fan x 4
	Air flow rate	cfm	7650 + 8250	8250 + 8250
	Max. External static pressure (ESP)*2		0.24 in. WG	0.24 in. WG
Fan Motor	Type		Brushless DC MOTOR	Brushless DC MOTOR
	Output	W	(270 + 270) x 2	(270 + 270) x 2
Heat Exchanger			Inner Groove Copper Tube and Hydrophilic Aluminum fin	Inner Groove Copper Tube and Hydrophilic Aluminum fin
Refrigerant	Type		R410A	R410A
	Factory charge*3	lbs	37.5 x 2	37.5 x 2
Dimensions	H (in)		64-3/8 x 2	64-3/8 x 2
	W (in)		52-3/4 x 2	52-3/4 x 2
	D (in)		31-7/64 x 2	31-7/64 x 2
Net Weight		lbs	659 x 2	659 x 2
Sound pressure level *4		dBA	65.0	65.0
Protective devices	High Pressure Protection		High pressure sensor, High pressure switch at 4.0MPa	High pressure sensor, High pressure switch at 4.0MPa
	Inverter circuit (Comp. / Fan)		Overheat and Overcurrent protection	Overheat and Overcurrent protection
Piping Connections	Low Pressure	In.	1-1/8	1-1/8
	High Pressure	In.	5/8	5/8
Indoor unit	Total connected capacity*5		50%-135%	50%-135%
	Quantity (MAX)		36	39

*1 Rated per AHRI (Air-Conditioning, Heating and Refrigeration Institute) 1230 Standard.

Cooling: Indoor 80°F (27°C) db/67°F (20°C) wb; Outdoor 95°F (35°C) db

Heating: Indoor 70°F (21°C) db; Outdoor 47°F (8°C) db/43°F (6°C) wb

Remark

*2 Factory default is 0 in.wg. Setting is required for 0.08 in.wg, 0.16 in.wg, and 0.24 in.wg.

*3 Refrigerant must be added on site in accordance with the actual piping length.

*4 These values are measured in anechoic chamber at a point 3.3 ft. in front and at a height of 4.6 ft. from the base of the unit.

*5 Refer to section 1.c Connected Capacity Ratio Restrictions.

Table 13 - Data Table

MODEL NAME			38VMA264HDS6-1	38VMA288HDS6-1
Power Source		V-Ph-Hz	460-3-60	460-3-60
Capacity Cooling*1		Btu/h	264,000	288,000
Capacity Heating*1		Btu/h	286,000	320,000
Operating Range Cooling	Indoor	WB°F	59~75	59~75
	Outdoor	DB°F	5~125	5~125
Operating Range Heating	Indoor	DB°F	54~86	54~86
	Outdoor	WB°F	-5~64	-5~64
Electrical Supply	MCA	A	25 + 33	33 x 2
	Recommended Fuse Size	A	40 + 30	40 x 2
Compressor	Type x Quantity		INVERTER-driven Scroll Hermetic x3	INVERTER-driven Scroll Hermetic x 4
	Crankcase	W	30 x 6	30 x 8
Fan	Type x Quantity		Propeller Fan x 4	Propeller Fan x 4
	Air flow rate	cfm	8250 + 8830	8830 + 8830
	Max. External static pressure (ESP)*2		0.24 in. WG	0.24 in. WG
Fan Motor	Type		Brushless DC MOTOR	Brushless DC MOTOR
	Output	W	(270 + 270) + (340 + 300)	(340 + 300) + (340 + 300)
Heat Exchanger			Inner Groove Copper Tube and Hydrophilic Aluminum fin	Inner Groove Copper Tube and Hydrophilic Aluminum fin
Refrigerant	Type		R410A	R410A
	Factory charge*3	lbs	37.5 x 2	37.5 x 2
Dimensions	H (in)		64-3/8 x 2	64-3/8 x 2
	W (in)		52-3/4 x 2	52-3/4 x 2
	D (in)		31-7/64 x 2	31-7/64 x 2
Net Weight		lbs	659 + 772	772 x 2
Sound pressure level *4		dBA	66.5	67.5
Protective devices	High Pressure Protection		High pressure sensor, High pressure switch at 4.0MPa	High pressure sensor, High pressure switch at 4.0MPa
	Inverter circuit (Comp. / Fan)		Overheat and Overcurrent protection	Overheat and Overcurrent protection
Piping Connections	Low Pressure	In.	1-3/8	1-3/8
	High Pressure	In.	3/4	3/4
Indoor unit	Total connected capacity*5		50%-135%	50%-135%
	Quantity (MAX)		46	50

*1 Rated per AHRI (Air-Conditioning, Heating and Refrigeration Institute) 1230 Standard.

Cooling: Indoor 80°F (27°C) db/67°F (20°C) wb; Outdoor 95°F (35°C) db

Heating: Indoor 70°F (21°C) db; Outdoor 47°F (8°C) db/43°F (6°C) wb

Remark

*2 Factory default is 0 in.wg. Setting is required for 0.08 in.wg, 0.16 in.wg, and 0.24 in.wg.

*3 Refrigerant must be added on site in accordance with the actual piping length.

*4 These values are measured in anechoic chamber at a point 3.3 ft. in front and at a height of 4.6 ft. from the base of the unit.

*5 Refer to section 1.c Connected Capacity Ratio Restrictions.

Table 14 - Data Table

MODEL NAME			38VMA312HDS6-1	38VMA336HDS6-1
Power Source		V-Ph-Hz	460-3-60	460-3-60
Capacity Cooling*1		Btu/h	312,000	336,000
Capacity Heating*1		Btu/h	342,000	360,000
Operating Range Cooling	Indoor	WB°F	59~75	59~75
	Outdoor	DB°F	5~125	5~125
Operating Range Heating	Indoor	DB°F	54~86	54~86
	Outdoor	WB°F	-5~64	-5~64
Electrical Supply	MCA	A	25 x 3	25 x 3
	Recommended Fuse Size	A	30 x 3	30 x 3
Compressor	Type x Quantity		INVERTER-driven Scroll Hermetic x3	INVERTER-driven Scroll Hermetic x3
	Crankcase	W	30 x 6	30 x 6
Fan	Type x Quantity		Propeller Fan x 6	Propeller Fan x 6
	Air flow rate	cfm	7650 + 7650 + 8250	7650 + 8250 + 8250
	Max. External static pressure (ESP) *3		0.24 in. WG	0.24 in. WG
Fan Motor	Type		Brushless DC MOTOR	Brushless DC MOTOR
	Output	W	(270 + 270) x 3	(270 + 270) x 3
Heat Exchanger			Inner Groove Copper Tube and Hydrophilic Aluminum fin	Inner Groove Copper Tube and Hydrophilic Aluminum fin
Refrigerant	Type		R410A	R410A
	Factory charge*3	lbs	37.5 x 3	37.5 x 3
Dimensions	H (in)		64-3/8 x 3	64-3/8 x 3
	W (in)		52-3/4 x 3	52-3/4 x 3
	D (in)		31-7/64 x 3	31-7/64 x 3
Net Weight	lbs	659 x 3	659 x 3	
Sound pressure level *4	dBA	66.5	66.5	
Protective devices	High Pressure Protection		High pressure sensor, High pressure switch at 4.0MPa	High pressure sensor, High pressure switch at 4.0MPa
	Inverter circuit (Comp. / Fan)		Overheat and Overcurrent protection	Overheat and Overcurrent protection
Piping Connections	Low Pressure	In.	1-3/8	1-3/8
	High Pressure	In.	3/4	3/4
Indoor unit connectable	Total connected capacity*5		50%-135%	50%-135%
	Quantity (MAX)		53	56

*1 Rated per AHRI (Air-Conditioning, Heating and Refrigeration Institute) 1230 Standard.

Cooling: Indoor 80°F (27°C) db/67°F (20°C) wb; Outdoor 95°F (35°C) db

Heating: Indoor 70°F (21°C) db; Outdoor 47°F (8°C) db/43°F (6°C) wb

Remark

*2 Factory default is 0 in.wg. Setting is required for 0.08 in.wg, 0.16 in.wg, and 0.24 in.wg.

*3 Refrigerant must be added on site in accordance with the actual piping length.

*4 These values are measured in anechoic chamber at a point 3.3 ft. in front and at a height of 4.6 ft. from the base of the unit.

*5 Refer to section 1.c Connected Capacity Ratio Restrictions.

Table 15 - Data Table

MODEL NAME			38VMA360HDS6-1	38VMA384HDS6-1
Power Source		V-Ph-Hz	460-3-60	460-3-60
Capacity Cooling*1		Btu/h	360,000	384,000
Capacity Heating*1		Btu/h	378,000	412,000
Operating Range Cooling	Indoor	WB°F	59~75	59~75
	Outdoor	DB°F	5~125	5~125
Operating Range Heating	Indoor	DB°F	54~86	54~86
	Outdoor	WB°F	-5~64	-5~64
Electrical Supply	MCA	A	25 x 3	(25 x 2) + 33
	Recommended Fuse Size	A	30 x 3	(30 x 2) + 40
Compressor	Type x Quantity		INVERTER-driven Scroll Hermetic x3	INVERTER-driven Scroll Hermetic x4
	Crankcase	W	30 x 6	30 x 8
Fan	Type x Quantity		Propeller Fan x 6	Propeller Fan x 6
	Air flow rate	cfm	8250 + 8250 + 8250	8250 + 8250 + 8830
	Max. External static pressure (ESP)*2		0.24 in. WG	0.24 in. WG
Fan Motor	Type		Brushless DC MOTOR	Brushless DC MOTOR
	Output	W	(270 + 270) x 3	(270 + 270) x 2 + (340 + 300)
Heat Exchanger			Inner Groove Copper Tube and Hydrophilic Aluminum fin	Inner Groove Copper Tube and Hydrophilic Aluminum fin
Refrigerant	Type		R410A	R410A
	Factory charge*3	lbs	37.5 X 3	37.5 X 3
Dimensions	H (in)		64-3/8 x 3	64-3/8 x 3
	W (in)		52-3/4 x 3	52-3/4 x 3
	D (in)		31-7/64 x 3	31-7/64 x 3
Net Weight		lbs	659 x 3	(659 x 2) + 772
Sound pressure level *4		dba	66.5	67.0
Protective devices	High Pressure Protection		High pressure sensor, High pressure switch at 4.0MPa	High pressure sensor, High pressure switch at 4.0MPa
	Inverter circuit (Comp. / Fan)		Overheat and Overcurrent protection	Overheat and Overcurrent protection
Piping Connections	Low Pressure	In.	1-3/8	1-3/8
	High Pressure	In.	3/4	3/4
Indoor unit	Total connected capacity*5		50%-135%	50%-135%
	Quantity (MAX)		59	63

*1 Rated per AHRI (Air-Conditioning, Heating and Refrigeration Institute) 1230 Standard.

Cooling: Indoor 80°F (27°C) db/67°F (20°C) wb; Outdoor 95°F (35°C) db

Heating: Indoor 70°F (21°C) db; Outdoor 47°F (8°C) db/43°F (6°C) wb

Remark

*2 Factory default is 0 in.wg. Setting is required for 0.08 in.wg, 0.16 in.wg, and 0.24 in.wg.

*3 Refrigerant must be added on site in accordance with the actual piping length.

*4 These values are measured in anechoic chamber at a point 3.3 ft. in front and at a height of 4.6 ft. from the base of the unit.

*5 Refer to section 1.c Connected Capacity Ratio Restrictions.

Table 16 - Data Table

MODEL NAME			38VMA408HDS6-1	38VMA432HDS6-1
Power Source		V-Ph-Hz	460-3-60	460-3-60
Capacity Cooling*1		Btu/h	408,000	432,000
Capacity Heating*1		Btu/h	446,000	480,000
Temp. range of cooling	Indoor	WB°F	59~75	59~75
	Outdoor	DB°F	5~125	5~125
Temp. range of heating	Indoor	DB°F	54~86	54~86
	Outdoor	WB°F	-5~64	-5~64
Electrical Supply	MCA	A	(33 x 2) + 25	33 x 3
	Recommended Fuse Size	A	(40 x 2) + 30	40 x 3
Compressor	Type x Quantity		INVERTER-driven Scroll Hermetic x5	INVERTER-driven Scroll Hermetic x6
	Crankcase	W	30 x 10	30 x 12
Fan	Type x Quantity		Propeller Fan x 6	Propeller Fan x 6
	Air flow rate	cfm	8250 + 8830 + 8830	8830 + 8830 + 8830
	Max. External static pressure (ESP)*2		0.24 in. WG	0.24 in. WG
Fan Motor	Type		Brushless DC MOTOR	Brushless DC MOTOR
	Output	W	(270 + 270) + (340 + 300) x 2	(340 + 300) x 3
Heat Exchanger			Inner Groove Copper Tube and Hydrophilic Aluminum fin	Inner Groove Copper Tube and Hydrophilic Aluminum fin
Refrigerant	Type		R410A	R410A
	Factory charge*3	lbs	37.5 x 3	37.5 x 3
Dimensions	H (in)		64-3/8 x 3	64-3/8 x 3
	W (in)		52-3/4 x 3	52-3/4 x 3
	D (in)		31-7/64 x 3	31-7/64 x 3
Net Weight		lbs	(772 x 2) + 659	772 x 3
Sound pressure level *4		dBA	68.5	69.0
Protective devices	High Pressure Protection		High pressure sensor, High pressure switch at 4.0MPa	High pressure sensor, High pressure switch at 4.0MPa
	Inverter circuit (Comp. / Fan)		Overheat and Overcurrent protection	Overheat and Overcurrent protection
Piping Connections	Low Pressure	In.	1-3/8	1-3/8
	High Pressure	In.	3/4	¾
Indoor unit	Total connected capacity*5		50%-135%	50%-135%
	Quantity (MAX)		64	64

*1 Rated per AHRI (Air-Conditioning, Heating and Refrigeration Institute) 1230 Standard.

Cooling: Indoor 80°F (27°C) db/67°F (20°C) wb; Outdoor 95°F (35°C) db

Heating: Indoor 70°F (21°C) db; Outdoor 47°F (8°C) db/43°F (6°C) wb

Remark

*2 Factory default is 0 in.wg. Setting is required for 0.08 in.wg, 0.16 in.wg, and 0.24 in.wg.

*3 Refrigerant must be added on site in accordance with the actual piping length.

*4 These values are measured in anechoic chamber at a point 3.3 ft. in front and at a height of 4.6 ft. from the base of the unit.

*5 Refer to section 1.c Connected Capacity Ratio Restrictions.

c. Connected Capacity Ratio Restrictions

Table 17 - Capacity Ratio Restrictions

MINIMUM COMBINATION RATIO	MAXIMUM COMBINATION RATIO			
	40VMH for all IDUs *1 40VMV for all IDUs	40VMA connected with other IDUs	At least one 40VMH *1 or 40VMV connected	Other indoor unit models
50%	100%	100% *2	130% *3	135%

1. When 40VMH048, 054, 072, 096---3 is installed
2. When outside air processing units (40VMA) and standard indoor units are connected, the total capacity index of the 40VMA must be limited to 30% or less of the capacity index of the outdoor unit
3. When total capacity of 40VMH048, 054, 072, 096---3 or 40VMV exceeds 30%, the combination must not exceed 100%

2. Performance Data

a. Ducted Indoor Units

Table 18 - Performance Data - Ducted Indoor Units (230V and 460V)

MODEL	EER (Btu/W)	IEER (Btu/W)	COP@47°F
38VMA072HDS5/6-1	12.8	23.60	3.85
38VMA096HDS5/6-1	11.8	23.00	3.63
38VMA120HDS5/6-1	11.2	21.90	3.45
38VMA144HDS5/6-1	10.6	19.50	3.35
38VMA168HDS5/6-1	12.0	22.00	3.64
38VMA192HDS5/6-1	11.6	22.00	3.60
38VMA216HDS5/6-1	11.3	21.30	3.54
38VMA240HDS5/6-1	11	20.60	3.47
38VMA264HDS5/6-1	9.8	19.00	3.20
38VMA288HDS5/6-1	9.5	18.00	3.20
38VMA312HDS5/6-1	10.6	20.50	3.30
38VMA336HDS5/6-1	10.6	19.20	3.25
38VMA360HDS5/6-1	10.4	18.00	3.20
38VMA384HDS5/6-1	9.5	18.00	3.20
38VMA408HDS5/6-1	9.5	17.50	3.20
38VMA432HDS5/6-1	9.5	17.00	3.20

b. Non-ducted Indoor Units

Table 19 - Performance Data - Non-Ducted Indoor Units (230V and 460V)

MODEL	EER (Btu/W)	IEER (Btu/W)	COP@47°F
38VMA072HDS5/6-1	14.1	22.50	4.29
38VMA096HDS5/6-1	13.2	23.50	3.82
38VMA120HDS5/6-1	11.7	22.50	3.60
38VMA144HDS5/6-1	10.6	19.50	3.40
38VMA168HDS5/6-1	12.5	22.00	3.80
38VMA192HDS5/6-1	12.3	21.50	3.75
38VMA216HDS5/6-1	11.7	20.50	3.62
38VMA240HDS5/6-1	10.7	20.00	3.54
38VMA264HDS5/6-1	9.7	19.00	3.27
38VMA288HDS5/6-1	9.5	18.00	3.20
38VMA312HDS5/6-1	11.1	20.00	3.43
38VMA336HDS5/6-1	10.7	19.00	3.31
38VMA360HDS5/6-1	10.2	17.50	3.20
38VMA384HDS5/6-1	9.8	18.00	3.20
38VMA408HDS5/6-1	9.5	17.50	3.20
38VMA432HDS5/6-1	9.5	17.00	3.20

3. Combination Table

Table 20 - Combination Table - Heat Pump Three-Phase

TONNAGE COMBO	HEAT PUMP THREE-PHASE		
	1	2	3
6	6		
8	8		
10	10		
12	12		
14		8 + 6	
16		8 + 8	
18		10 + 8	
20		10 + 10	
22		12 + 10	
24		12 + 12	
26			10 + 8 + 8
28			10 + 10 + 8
30			10 + 10 + 10
32			12 + 10 + 10
34			12 + 12 + 10
36			12 + 12 + 12

4. Indoor Unit Offering Table

Table 21 - Ducted Models

COOLING CAPACITY kBtu/h (Ton)	LOW STATIC DUCT (SLIM PROFILE)	MEDIUM STATIC DUCT	HIGH STATIC DUCT	VERTICAL AHU	OUTSIDE AIR DUCT
7,000	X	X			
9,000	X	X			
12,000	X	X		X	
15,000	X	X			
18,000	X	X		X	
24,000	X	X	X	X	
30,000		X	X	X	
36,000		X	X	X	X
48,000		X	X	X	X
53,500			X	X	X
72,000			X		X
96,000			X		X

Table 22 - Non-Ducted Models

COOLING CAPACITY kBtu/h (Ton)	4-WAY CASSETTE	COMPACT 4-WAY CASSETTE	HIGH WALL	UNDERCEILING / FLOOR CONSOLE (EXPOSED)	FLOOR CONSOLE (RECESSED)
5,000			X		
7,000		X	X		X
9,000	X	X	X		X
12,000	X	X	X	X	X
15,000	X	X	X	X	X
18,000	X		X	X	X
24,000	X		X	X	X
30,000	X		X	X	
36,000	X			X	
48,000	X			X	
53,500					
72,000					
96,000					

5. Center of Gravity

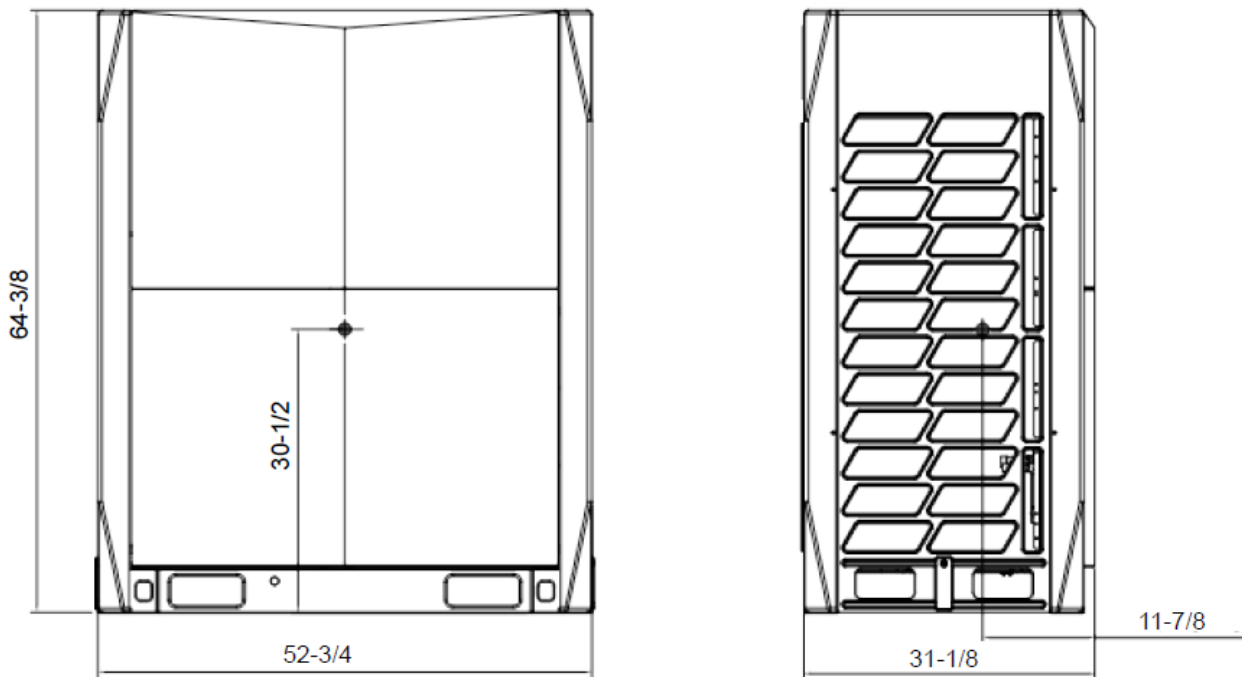


Figure 1 - Center of Gravity

NOTE: All dimensions are shown in inches.

6. Dimensions

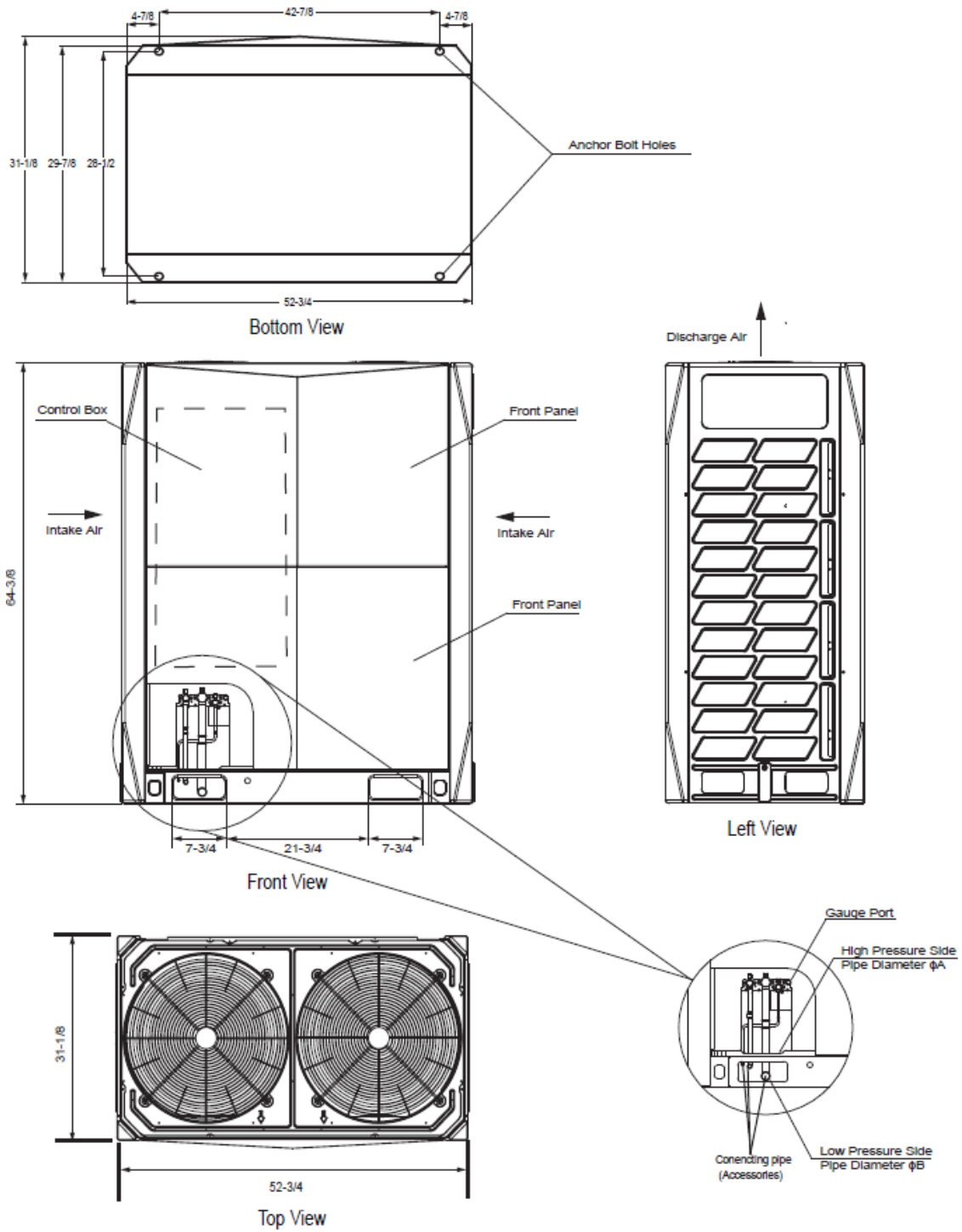


Figure 2 - 38VMA072HDS5/6-1, 38VMA096HDS5/6-1, 38VMA120HDS5/6-1, 38VMA144HDS5/6-1

NOTE: All dimensions are shown in inches.

UNIT	CONNECTING PIPE (DIAMETER in INCHES)	
	ϕA	ϕB
072	3/8	7/8
096	3/8	7/8
120	1/2	1-1/8
144	1/2	1-1/8

7. Refrigerant Circuit Diagrams

Table 23 - Refrigerant Circuit Diagram

SYMBOL	NAME	MAJOR FUNCTION
INV	Inverter compressor	Inverter compressor is operated on frequencies between 20 Hz and 100 Hz
INV1	Inverter compressor	
	Heat Exchanger	Heat Exchanger
FAN A	Left Inverter fan	the fan is operated at 13-step rotation speed by using the inverter
FAN B	Right Inverter fan	the fan is operated at 13-step rotation speed by using the inverter
EXV A	Electronic expansion valve	It is used to adjust refrigerant volume.
EXV B	Electronic expansion valve	It is used to adjust refrigerant volume.
EXV C	Electronic expansion valve	It is used to adjust subcooling
PHE	Plate Heat Exchanger	Used to subcooling liquid refrigerant from the electronic expansion valve.
SV4	Solenoid valve	It is used to balance the oil between modules
SV7	Solenoid valve	This valve opens at a pressure of 3.9 MPa for prevention of pressure increase
ST1	4-way valve	Used to switch the operation mode between cooling and heating.
H-LY1	High pressure sensor	Used to detect high pressure.
L-LY1	Low pressure sensor	Used to detect low pressure.
H-PRO	High pressure switch	It is used to protect the system pressure. When the system pressure is too high, the pressure switch will open. Once the pressure switch is open, compressor will stop, and will restart after 12 minutes.
L-PRO	Low pressure switch	It is used to protect the system pressure. When the system pressure is too low, the pressure switch will open. Once the pressure switch is open, compressor will stop, and will restart after 12 minutes.
	Pressure regulating valve	This valve opens at a pressure of 580 psig for prevention of pressure increase, thus resulting in no damage of functional parts due to the increase of pressure in transportation or storage
	Oil separator	It is used to separate oil from high pressure and high temperature gas refrigerant, which is pumped out from compressor.
	Accumulator	It is used to store the liquid refrigerant and oil; it can protect compressor from liquid flood back.
T3	Thermistor (outdoor coil deicer)	Used to detect liquid pipe temperature of OD heat exchanger, determine defrosting operation, and others
T4	Thermistor (Outdoor air)	Used to detect outdoor temperature
T5	Thermistor (liquid pipe)	This detects temperature of liquid pipe after Plate Heat Exchanger.
T6	Thermistor (Plate Heat Exchanger gas pipe)	This detects temperature of gas pipe on the evaporation side of Plate Heat Exchanger. Used to exercise the constant control of superheated degree at the outlet of Plate Heat Exchanger.
T7	Thermistor (Accumulator outlet)	Used to detect gas pipe temperature at the accumulator outlet.
INV Gas	Thermistor (INV discharge pipe)	Used to detect discharge pipe temperature, make the temperature protection control of compressor, and others.
INV1 Gas	Thermistor (INV1 discharge pipe)	Used to detect discharge pipe temperature, make the temperature protection control of compressor, and others.

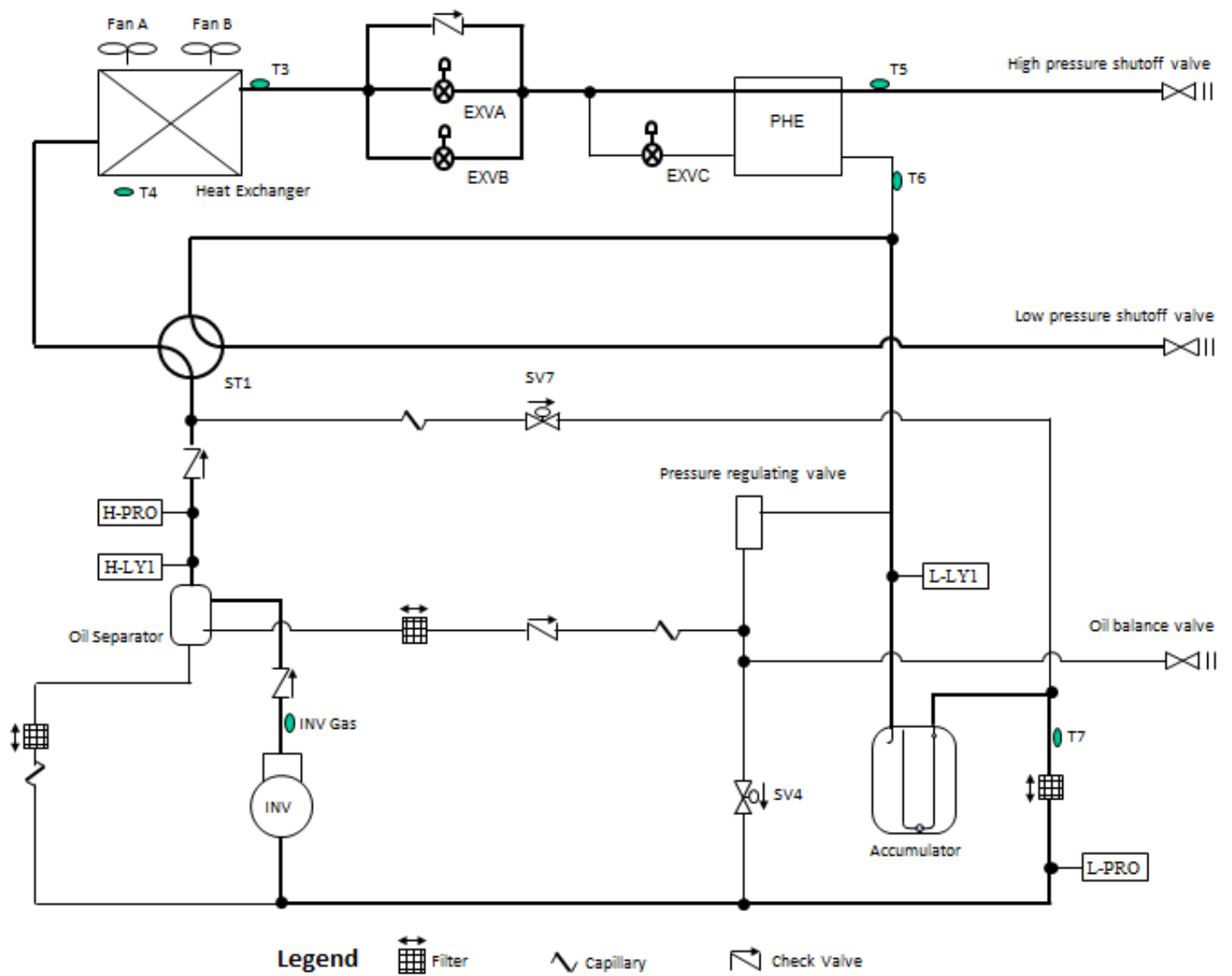


Figure 3 - Refrigerant Circuit Diagram (38VMA072HDS*-1, 38VMA096HDS*-1, 38VMA120HDS*-1)

8. Wiring Diagrams

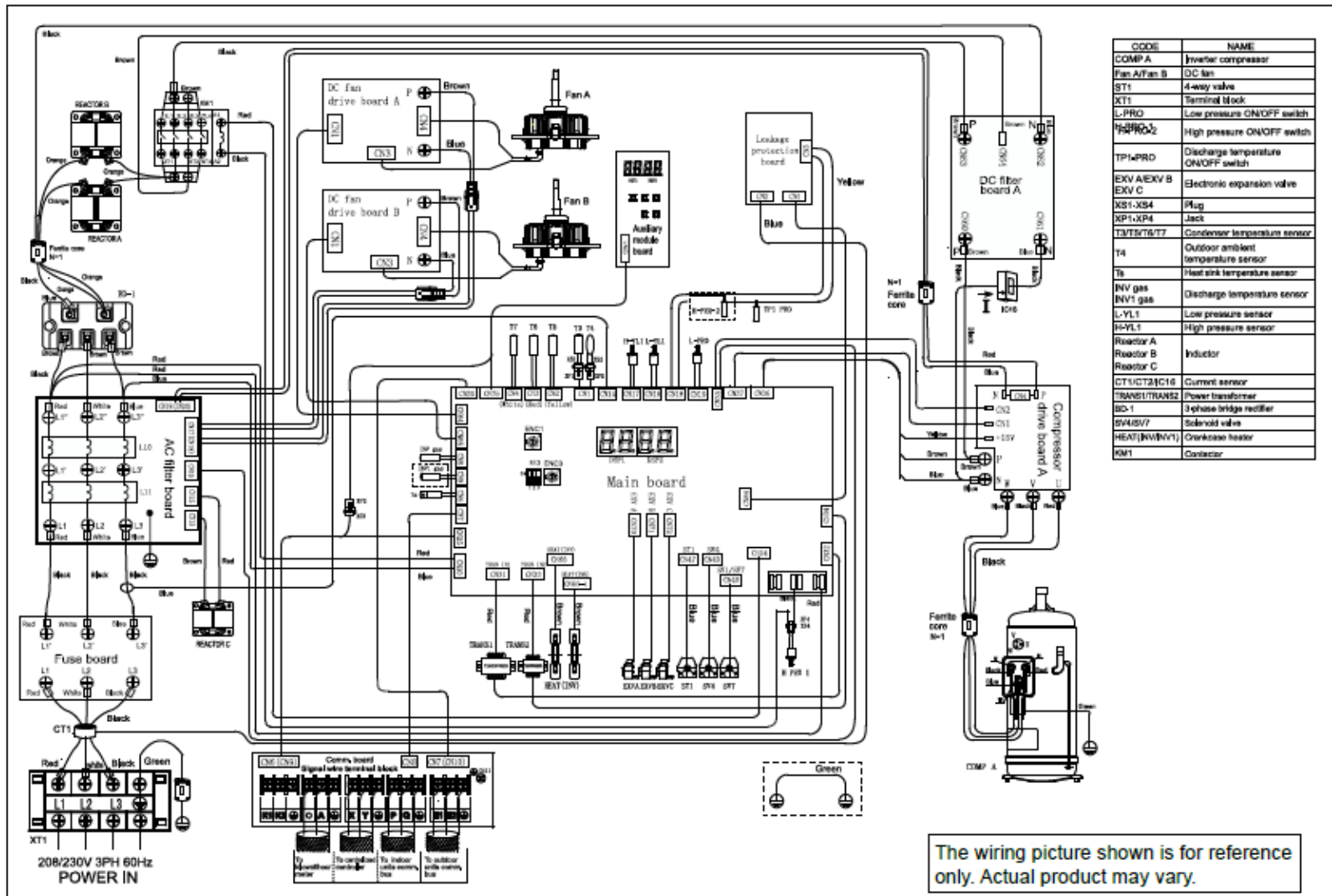


Figure 5 - Wiring Diagram (38VMA072HDS5-1, 38VMA096HDS5-1, 38VMA120HDS5-1)

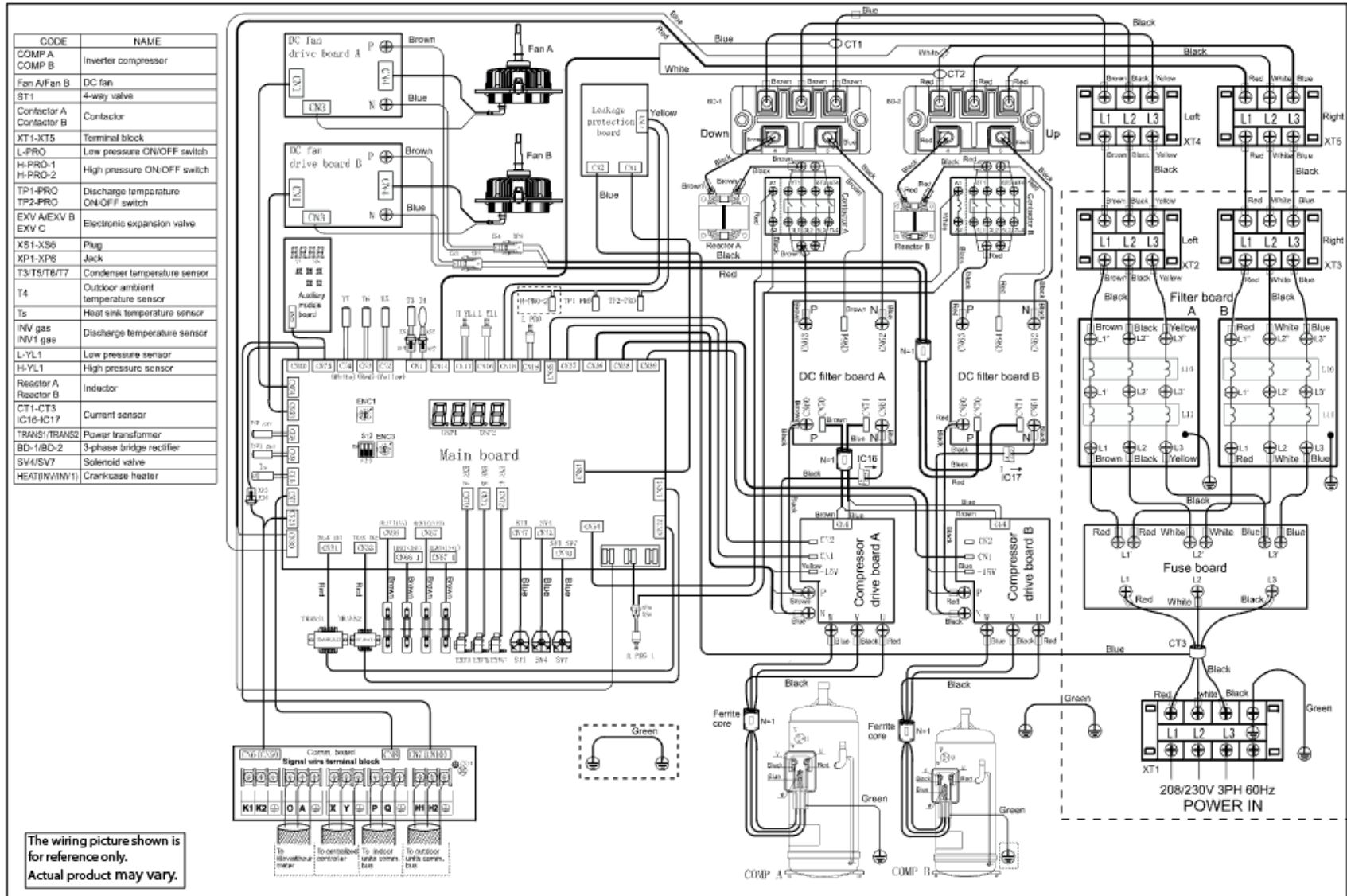


Figure 6 - Wiring Diagram (38VMA144HDS5-1)

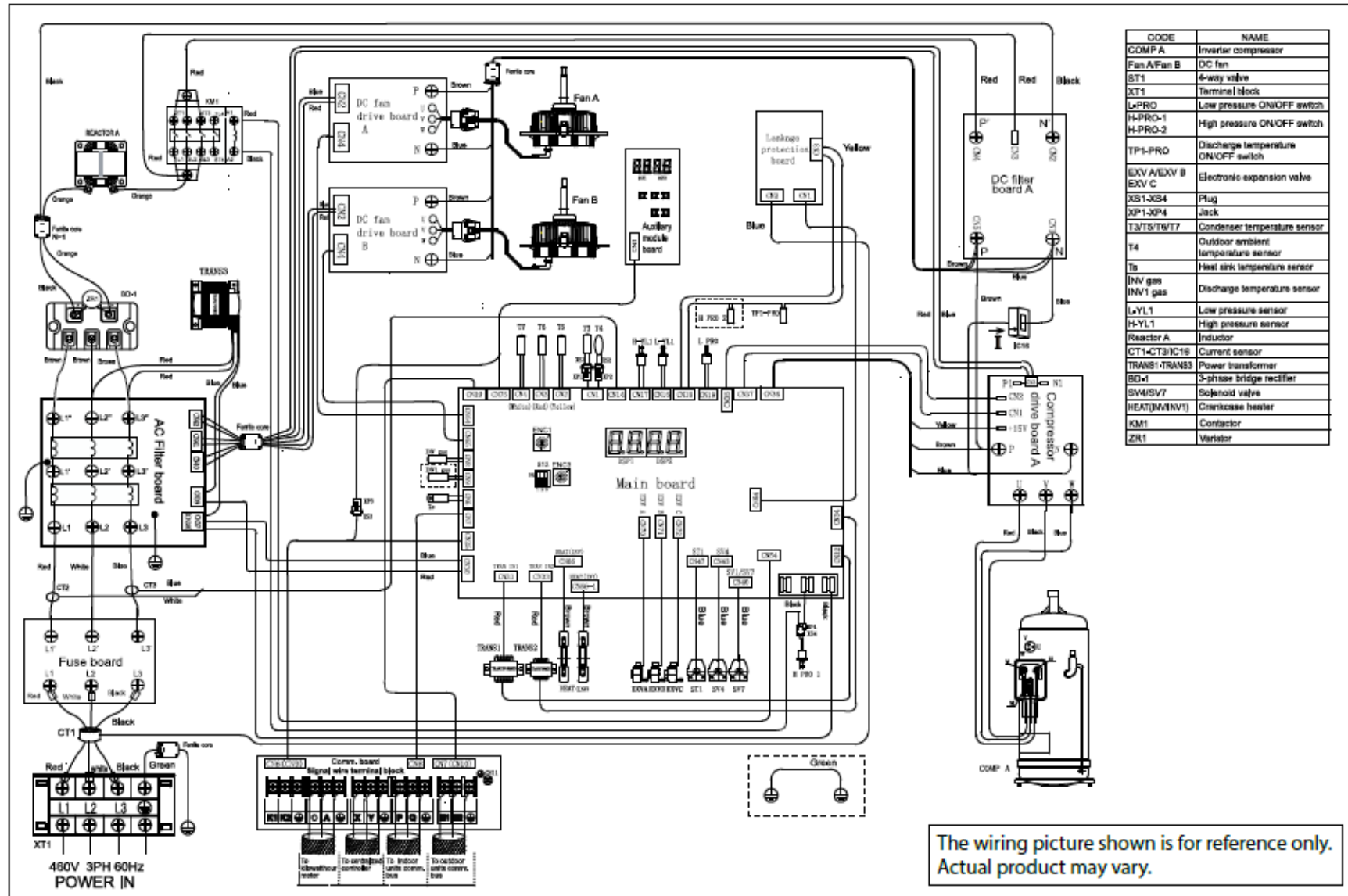


Figure 7 - Wiring Diagram (38VMA072HDS6-1, 38VMA096HDS6-1, 38VMA120HDS6-1)

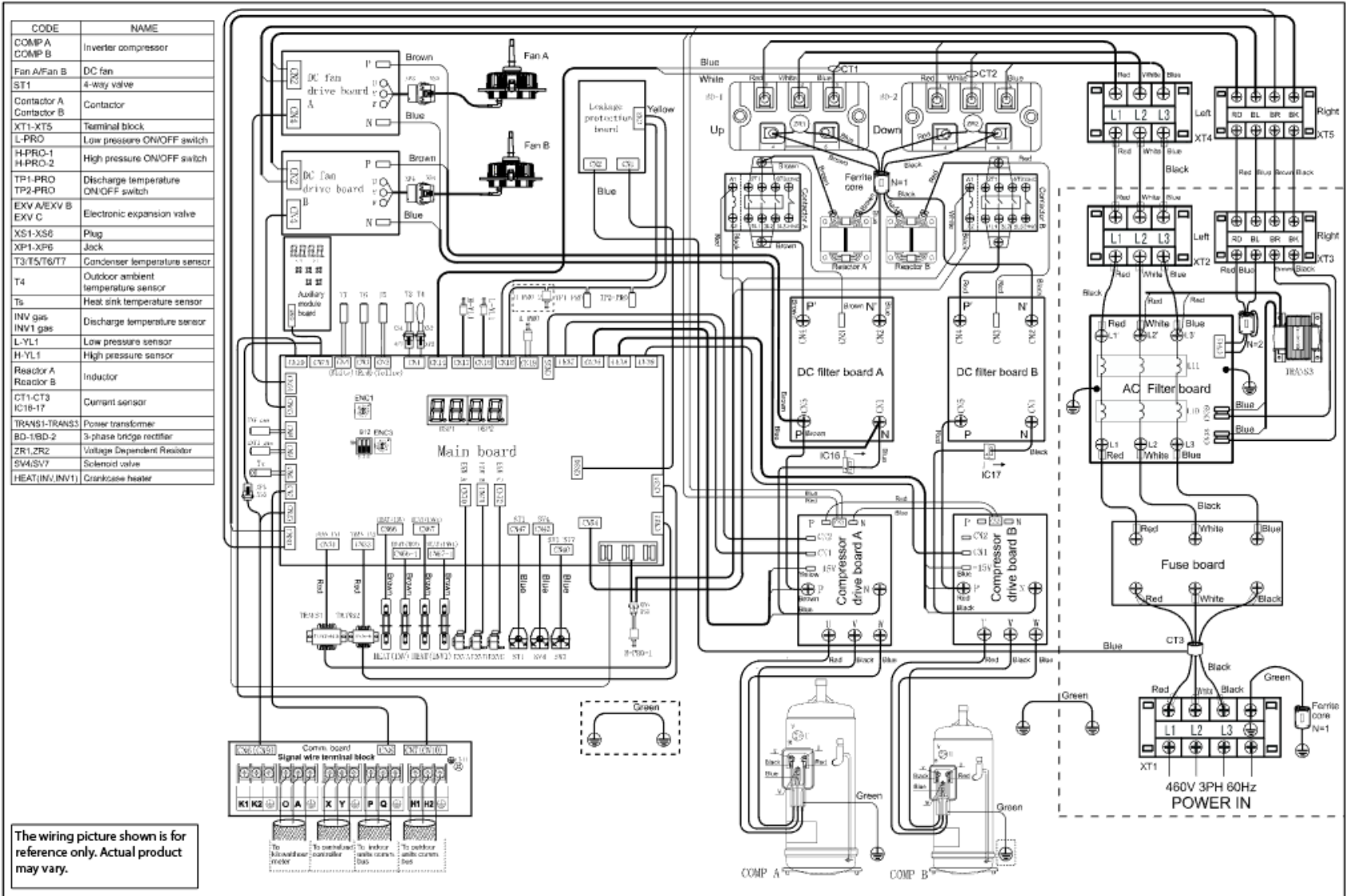


Figure 8 - 38VMA144HDS6-1

9. Field Wiring

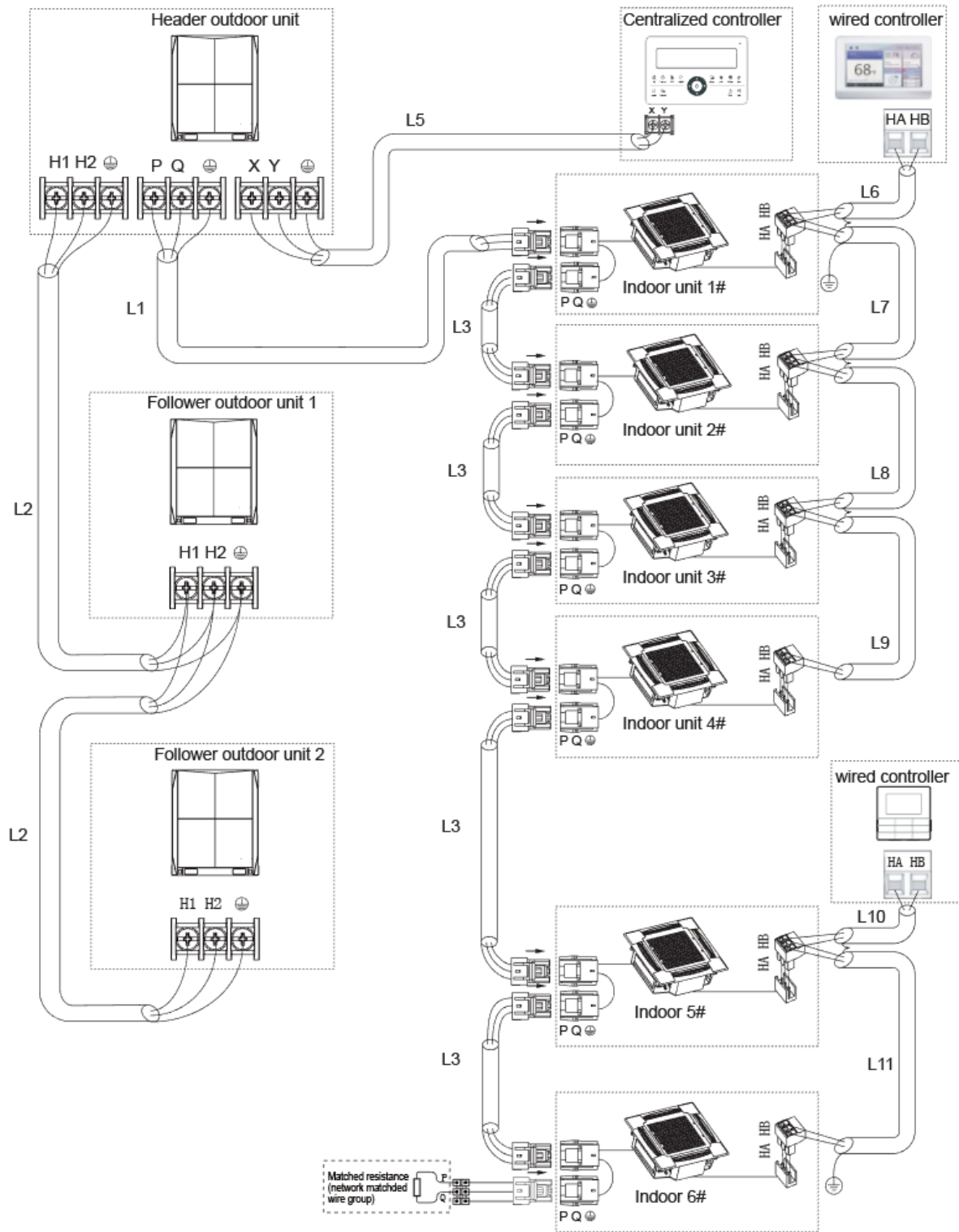


Figure 9 - Field Wiring

Maximum wiring length

$L1 + L3 \leq 3937$ ft 16 AWG, 2-Core Stranded Shield

$L5 \leq 3937$ ft 16 AWG, 2-Core Stranded Shield

$L6 + L7 + L8 + L9 \leq 820$ ft 16-20 AWG, 2-Core Stranded Shield

$L10 + L11 \leq 820$ ft 16-20 AWG, 2-Core Stranded Shield

NOTE: Network resistor is shipped with the outdoor unit for field installation on heat pump systems.

LEGEND

IDU — Indoor Unit

10. Electric Characteristics

Wiring main power cables

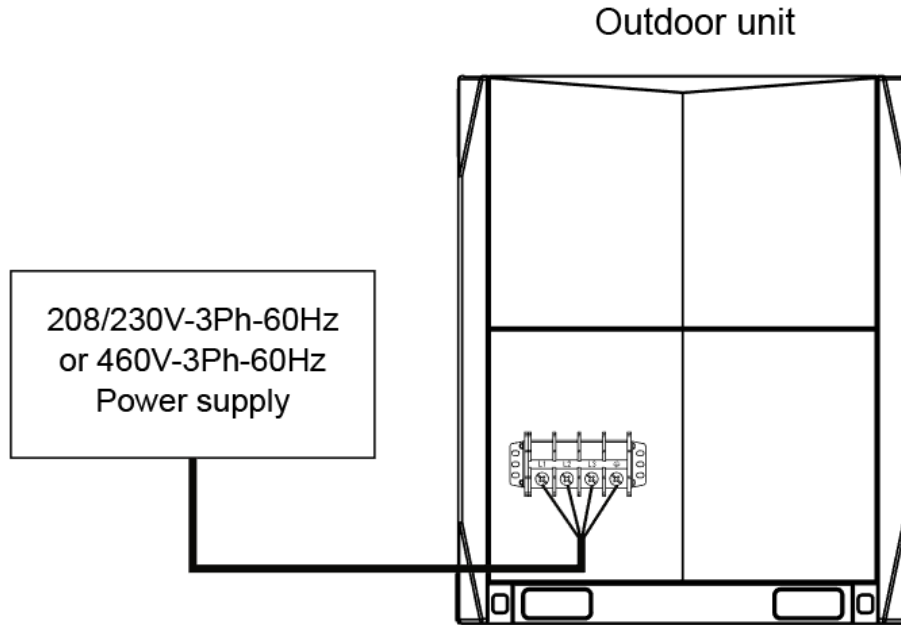


Figure 10 - Outdoor unit schematic of main power wiring

Table 24 - Electrical Characteristics

SUPPLY VOLTAGE POWER SUPPLY (V-Ph-Hz)	UNIT SIZE	POWER SUPPLY	
		MCA	RECOMMENDED FUSE SIZE
208/230-3-60	072	45	50
	096	46	50
	120	46	50
	144	70	80
460-3-60	072	22	30
	096	25	30
	120	25	30
	144	33	40

POWER WIRING — Installation of wiring must conform with local codes and with NEC ANSI/NFPA 70, current editions. Units must be electrically grounded in conformance with the code. In Canada, wiring must comply with CSA C22.1, Electrical Code.

⚠️ WARNING

Electrical shock can cause personal injury and death. Disconnect power supply before making wiring connections. There may be more than one disconnect switch. Tag all disconnect locations to alert others not to restore power until work is completed.

⚠️ WARNING

All units must be wired strictly in accordance with the wiring diagram furnished with the unit. Any wiring different from the wiring diagram could result in personal injury and property damage.

⚠ CAUTION

Any original factory wiring that requires replacement must be replaced with wiring material having a temperature rating of at least 221°F.

Ensure supply voltage to the unit, as indicated on the serial plate, is not more than 10% over the rated voltage or 10% under the rated voltage.

Failure to follow these recommendations may result in equipment damage.

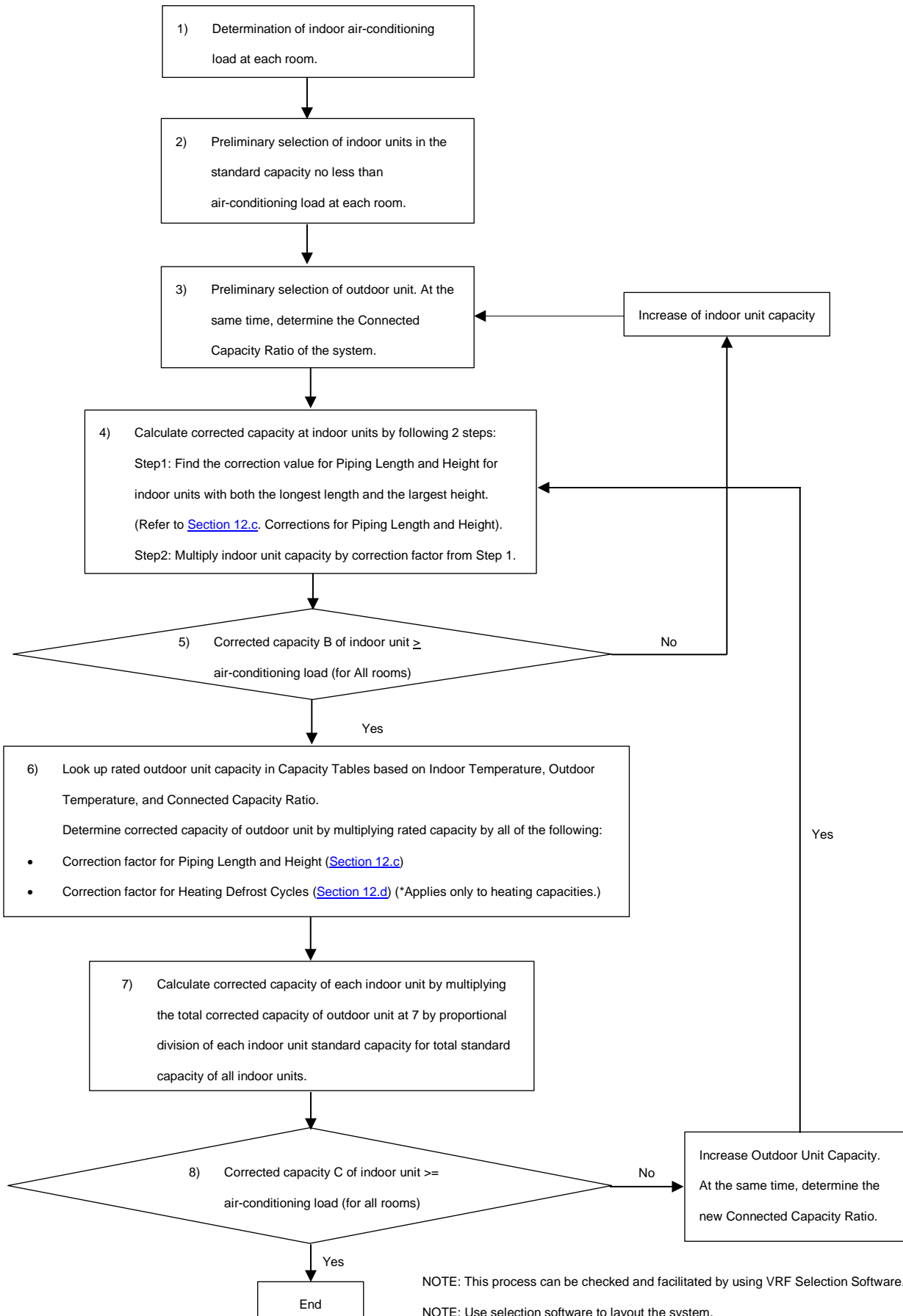
11. Safety Devices

Table 25 - Safety Devices

Safety devices	Model	38VMA072 HDS5-1	38VMA096 HDS5-1	38VMA120 HDS5-1	38VMA144 HDS5-1	38VMA072 HDS6-1	38VMA096 HDS6-1	38VMA120 HDS6-1	38VMA144 HDS6-1
Printed circuit fuse	Fuse board	250V 50A	250V 50A	250V 50A	250V 63A	500V 40A	500V 40A	500V 40A	500V 40A
	Main board	250V 8A							
	AC Filter board	250V 10A	250V 10A	250V 10A	/	250V 1A	250V 1A	250V 1A	250V 1A
High pressure switch	OFF: 4.0±0.1 MPa ON: 3.0±0.1MPa								
Low pressure switch	OFF: 0.05±0.05 MPa ON: 0.15±0.05MPa								

12. Equipment Selection

a. Selection Flow Chart



b. Connected Capacity Ratio

Table 26 - Indoor Unit Combination Total Capacity Index

OUTDOOR UNIT TON (kBtu/h)	INDOOR UNIT COMBINATION RATIO (kBtu/h)								
	135%	120%	110%	100%	90%	80%	70%	60%	50%
6 (72)	97.2	86.4	79.2	72.0	64.8	57.6	50.4	43.2	36.0
8 (96)	129.6	115.2	105.6	96.0	86.4	76.8	67.2	57.6	48.0
10 (120)	162.0	144.0	132.0	120.0	108.0	96.0	84.0	72.0	60.0
12 (144)	194.4	172.8	158.4	144.0	129.6	115.2	100.8	86.4	72.0

Table 27 - Indoor Unit Capacity Index

Unit Size	Model 007	Model 009	Model 012	Model 015	Model 018	Model 024
Capacity Index (kBtu/h)	7	9	12	15	18	24
Unit Size	Model 030	Model 036	Model 048	Model 054	Model 072	Model 096
Capacity Index (kBtu/h)	30	36	48	54	72	96

c. Corrections for Piping Length and Height

This determines the capacity correction values for the length and high difference of refrigerant pipe.

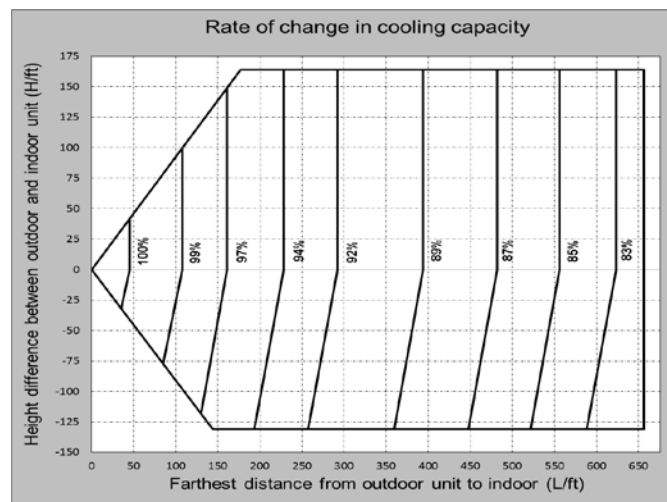


Figure 11 - Cooling correction factors

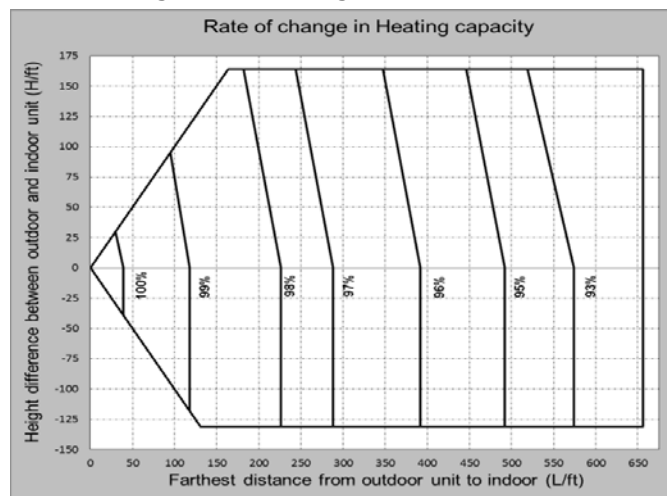


Figure 12 - Heating correction factors

L: Refrigerant pipe equivalent length

H: Height difference between outdoor and indoor unit.

Positive data means the outdoor unit is above the indoor unit.

Negative data means the outdoor unit is below the indoor unit.

d. Corrections for Heating Defrost Cycles

The heating capacity tables do not take account of the reduction in capacity when frost has accumulated or while the defrosting operation is in progress.

The capacity values that take these factors into account (the integrated heating capacity values), can be calculated as follows:

Formula

$A = B \times C$

Where:

A = Integrated heating capacity

B = Value given in heating capacity tables

C = Integrating correction factor for frost accumulation

Table 28 - Correction factor for finding integrated heating capacity (C)

Outdoor air Temp.(WB-°C / RH 85%)	6	4	2	1	0	-2	-4	-6	-8	-10	-20	
Outdoor air Temp.(WB-°F/ RH 85%)	43	39	36	34	32	28	25	21	18	14	-4	
Integrating correction factor for frost accumulation	6Ton	1.00	0.98	0.87	0.86	0.85	0.89	0.92	0.94	0.95	0.95	0.95
	8Ton	1.00	0.95	0.86	0.84	0.84	0.88	0.91	0.93	0.95	0.95	0.95
	10Ton	1.00	0.92	0.84	0.82	0.83	0.86	0.90	0.90	0.92	0.95	0.95
	12Ton	1.00	0.96	0.86	0.85	0.85	0.91	0.91	0.92	0.93	0.95	0.95
	14 Ton	1.00	0.95	0.86	0.84	0.84	0.88	0.91	0.93	0.95	0.95	0.95
	16 Ton	1.00	0.95	0.86	0.84	0.84	0.88	0.91	0.93	0.95	0.95	0.95
	18 Ton	1.00	0.92	0.84	0.82	0.83	0.86	0.90	0.90	0.92	0.95	0.95
	20 Ton	1.00	0.92	0.84	0.82	0.83	0.86	0.90	0.90	0.92	0.95	0.95
	22 Ton	1.00	0.92	0.84	0.82	0.83	0.86	0.90	0.90	0.92	0.95	0.95
	24 Ton	1.00	0.96	0.86	0.85	0.85	0.91	0.91	0.92	0.93	0.95	0.95
	26 Ton	1.00	0.92	0.84	0.82	0.83	0.86	0.90	0.90	0.92	0.95	0.95
	28 Ton	1.00	0.92	0.84	0.82	0.83	0.86	0.90	0.90	0.92	0.95	0.95
	30 Ton	1.00	0.92	0.84	0.82	0.83	0.86	0.90	0.90	0.92	0.95	0.95
32 Ton	1.00	0.92	0.84	0.82	0.83	0.86	0.90	0.90	0.92	0.95	0.95	
34 Ton	1.00	0.92	0.84	0.82	0.83	0.86	0.90	0.90	0.92	0.95	0.95	
36 Ton	1.00	0.96	0.86	0.85	0.85	0.91	0.91	0.92	0.93	0.95	0.95	

e. Temperature Operation Limits

38VMA072~144HDS5-1 (6-1)

NOTES:

The following figures assume these operating conditions:

- Equivalent piping length = 295-1/4in. (7.5m)
- Level difference = 0

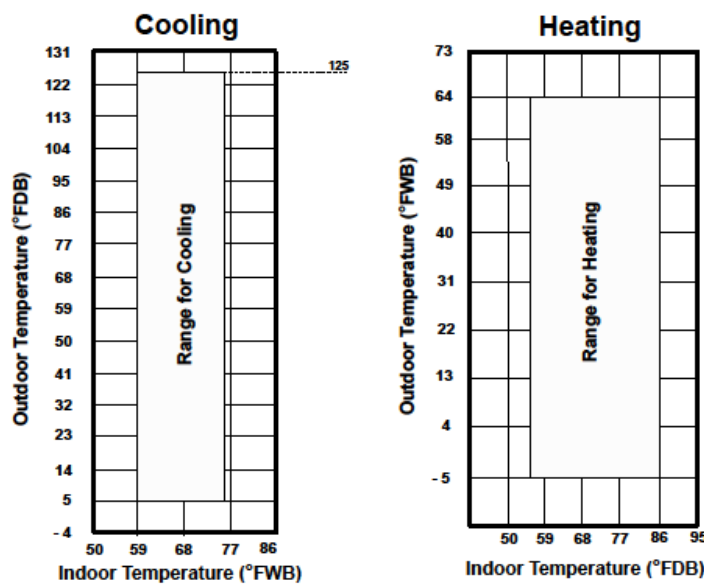
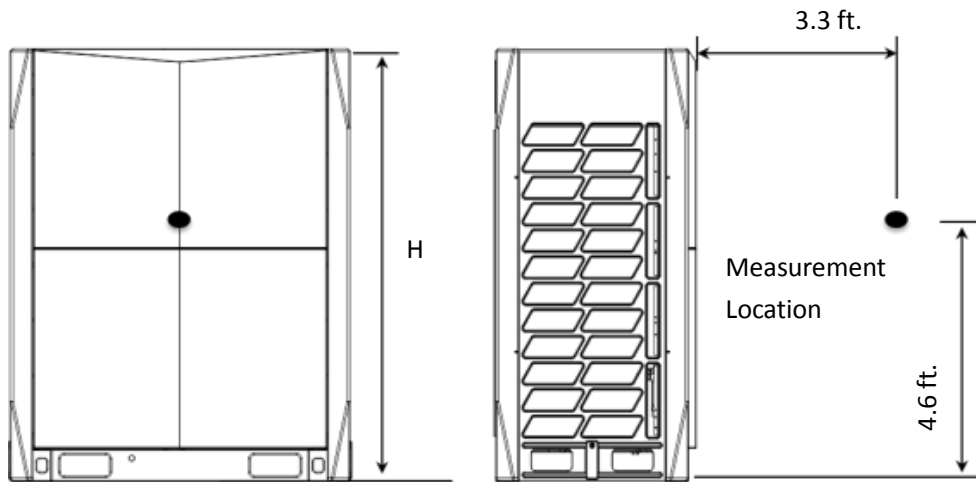


Figure 13 - Temperature Operation Limits (38VMA072~144HDS5-1 (6-1))

II. Sound Data

1. Sound Pressure Levels



2. NC Curves

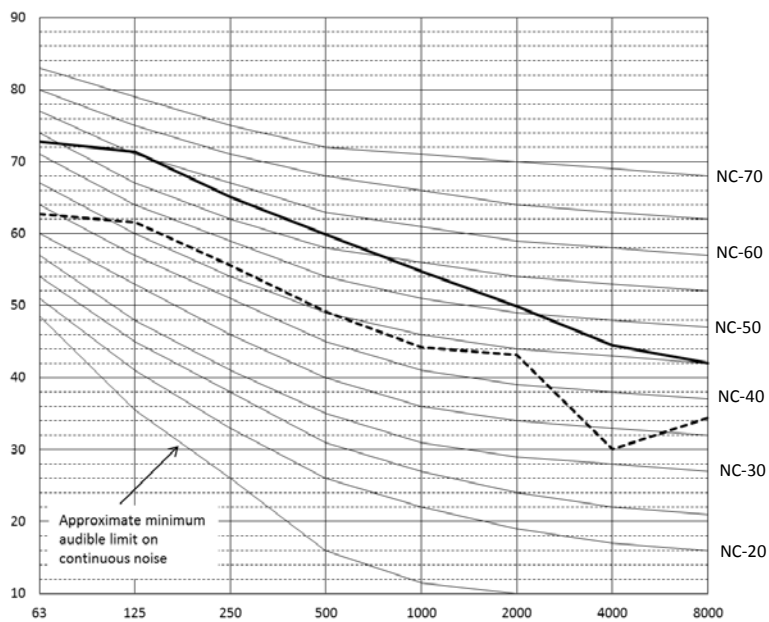


Figure 14 - Sound Levels - 38***72HDS5-1

Table 29 - Sound Levels - 38***72HDS5-1

38VMA072HDS5-1		63	125	250	500	1000	2000	4000	8000	dB(A)
Standard	60Hz	72.8	71.3	65.1	59.9	54.8	49.9	44.5	42.1	62.5
Silent mode	60Hz	62.7	61.6	55.6	49.1	44.2	43.1	30.1	34.4	52.5

NOTE: When Silent mode is set, the unit's capacity is limited. The unit will automatically exit Silent mode if high side pressure exceeds 522 psi. The unit will automatically return to Silent mode once high side pressure falls below 479 psi.

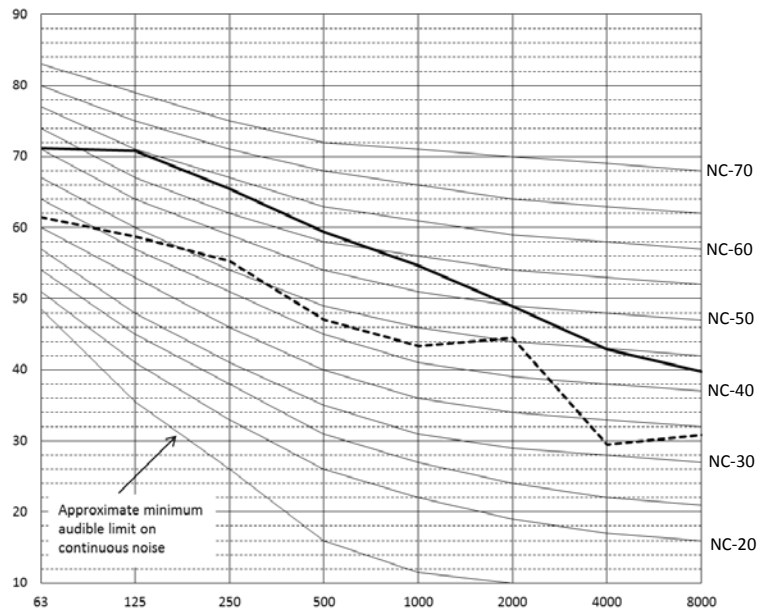


Figure 15 - Sound Levels - 38***72HDS6-1

Table 30 - Sound Levels - 38***72HDS6-1

38VMA072HDS6-1		63	125	250	500	1000	2000	4000	8000	dB(A)
Standard	60Hz	71.2	70.8	65.5	59.4	54.7	49.0	42.9	39.7	62.5
Silent mode	60Hz	61.5	58.7	55.3	47.0	43.4	44.5	29.5	30.8	51.3

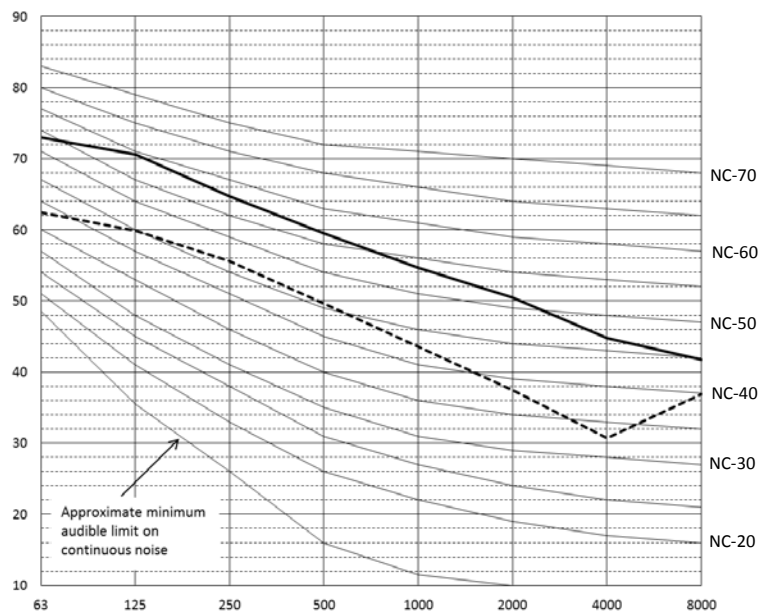


Figure 16 - Sound Levels - 38***96HDS5-1

Table 31 - Sound Levels - 38***96HDS5-1

38VMA096HDS5-1		63	125	250	500	1000	2000	4000	8000	dB(A)
Standard	60Hz	73.0	70.6	64.7	59.5	54.6	50.4	44.8	41.8	63.0
Silent mode	60Hz	62.5	59.9	55.6	49.6	43.5	37.5	30.7	36.9	51.5

NOTE: When Silent mode is set, the unit's capacity is limited. The unit will automatically exit Silent mode if high side pressure exceeds 522 psi. The unit will automatically return to Silent mode once high side pressure falls below 479 psi.

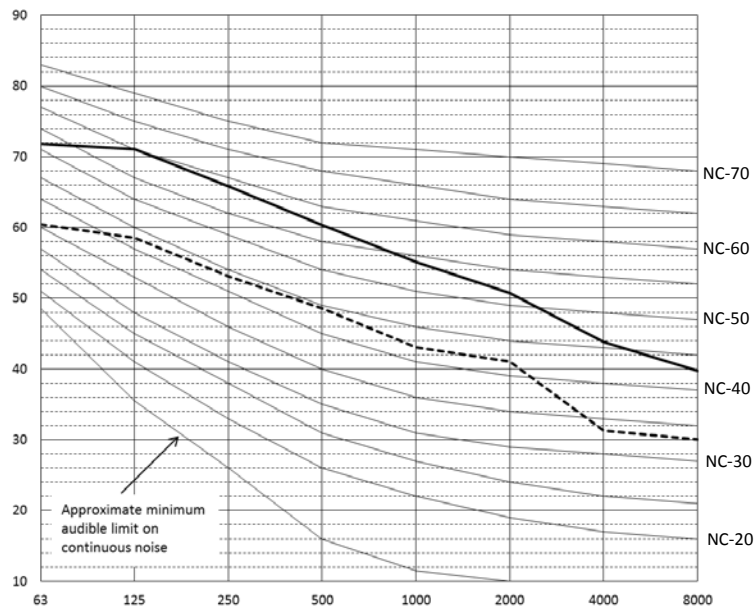


Figure 17 - Sound Levels - 38***96HDS6-1

Table 32 - Sound Levels - 38***96HDS6-1

38VMA096HDS6-1		63	125	250	500	1000	2000	4000	8000	dB(A)
Standard	60Hz	71.8	71.1	65.9	60.3	55.2	50.8	43.9	39.8	63.0
Silent mode	60Hz	60.4	58.5	53.1	48.6	43.1	41.1	31.3	30.0	50.2

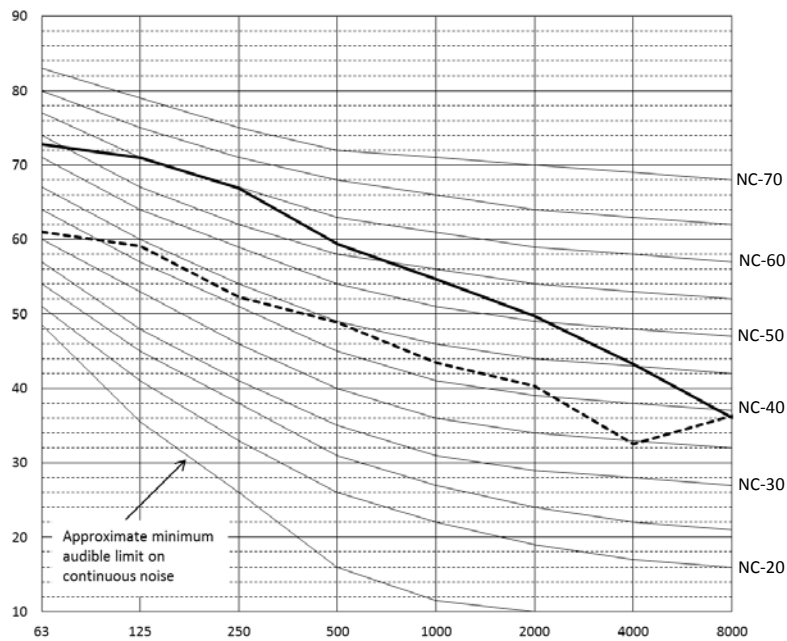


Figure 18 - Sound Levels - 38***120HDS5-1

Table 33 - Sound Levels - 38***120HDS5-1

38VMA120HDS5-1		63	125	250	500	1000	2000	4000	8000	dB(A)
Standard	60Hz	72.8	71.0	66.9	59.4	54.7	49.7	43.2	36.0	63.0
Silent mode	60Hz	61.0	59.1	52.3	48.8	43.4	40.3	32.6	36.3	50.5

NOTE: When Silent mode is set, the unit's capacity is limited. The unit will automatically exit Silent mode if high side pressure exceeds 522 psi. The unit will automatically return to Silent mode once high side pressure falls below 479 psi.

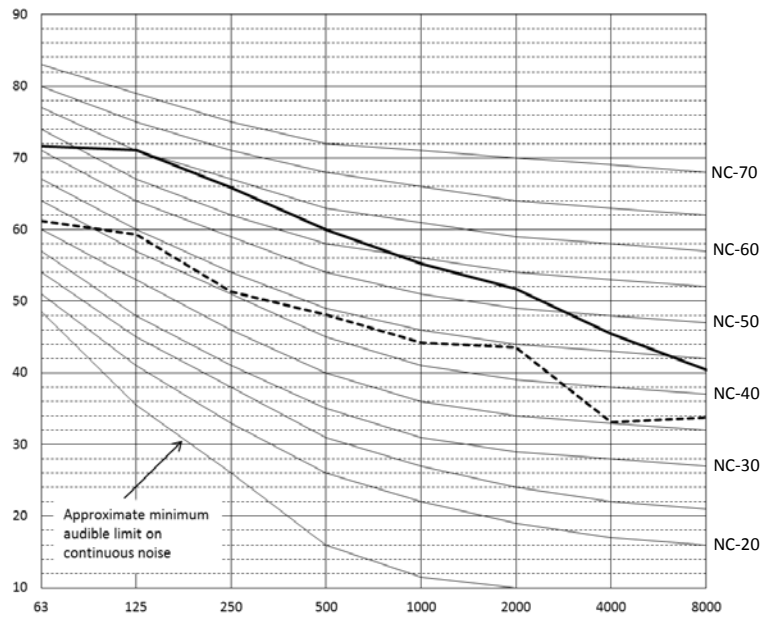


Figure 19 - Sound Levels - 38***120HDS6-1

Table 34 - Sound Levels - 38***120HDS6-1

38VMA120HDS6-1		63	125	250	500	1000	2000	4000	8000	dB(A)
Standard	60Hz	71.7	71.0	65.9	59.9	55.2	51.7	45.5	40.4	63.0
Silent mode	60Hz	61.2	59.3	51.3	48.1	44.2	43.5	33.1	33.8	51.1

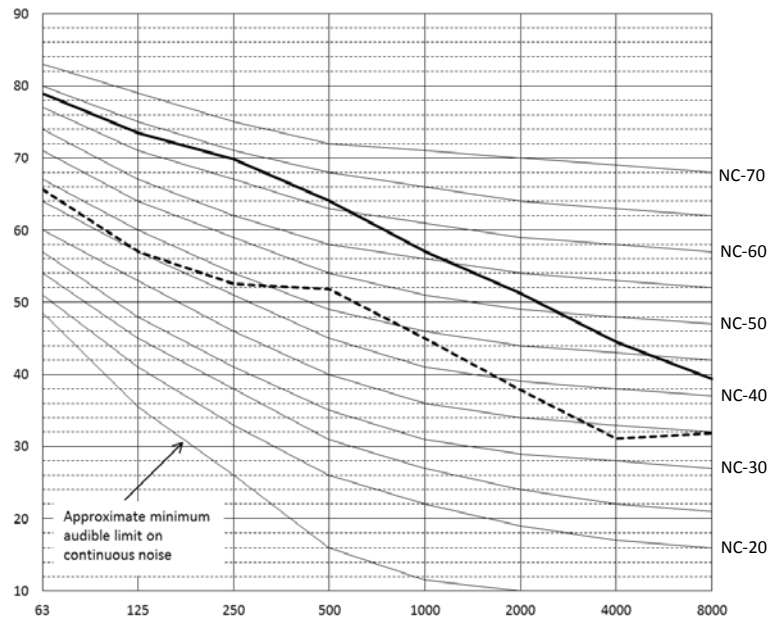


Figure 20 - Sound Levels - 38***144HDS5-1

Table 35 - Sound Levels - 38***144HDS5-1

38VMA144HDS5-1		63	125	250	500	1000	2000	4000	8000	dB(A)
Standard	60Hz	79.0	73.5	69.9	64.1	57.0	51.2	44.5	39.4	65.5
Silent mode	60Hz	65.7	57.0	52.5	51.8	44.9	37.8	31.1	31.9	51.9

NOTE: When Silent mode is set, the unit's capacity is limited. The unit will automatically exit Silent mode if high side pressure exceeds 522 psi. The unit will automatically return to Silent mode once high side pressure falls below 479 psi.

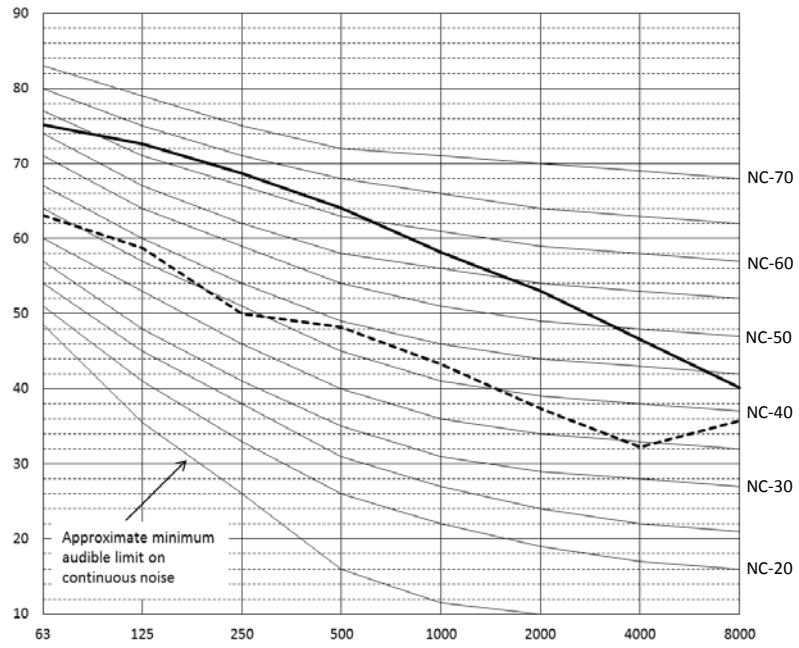


Figure 21 - Sound Levels - 38***144HDS6-1

Table 36 - Sound Levels - 38***144HDS6-1

38VMA144HDS6-1		63	125	250	500	1000	2000	4000	8000	dB(A)
Standard	60Hz	75.2	72.6	68.7	64.1	58.2	53.1	46.6	40.1	65.5
Silent mode	60Hz	63.1	58.8	50.0	48.1	43.2	37.3	32.3	35.8	50

NOTE: When Silent mode is set, the unit's capacity is limited. The unit will automatically exit Silent mode if high side pressure exceeds 522 psi. The unit will automatically return to Silent mode once high side pressure falls below 479 psi.

III. Refrigerant Piping Design

Note: For calculation purposes, assume equivalent pipe length of the branching pipe header to be 1.6 ft (0.5 m).

1. Piping scheme

a. System Piping

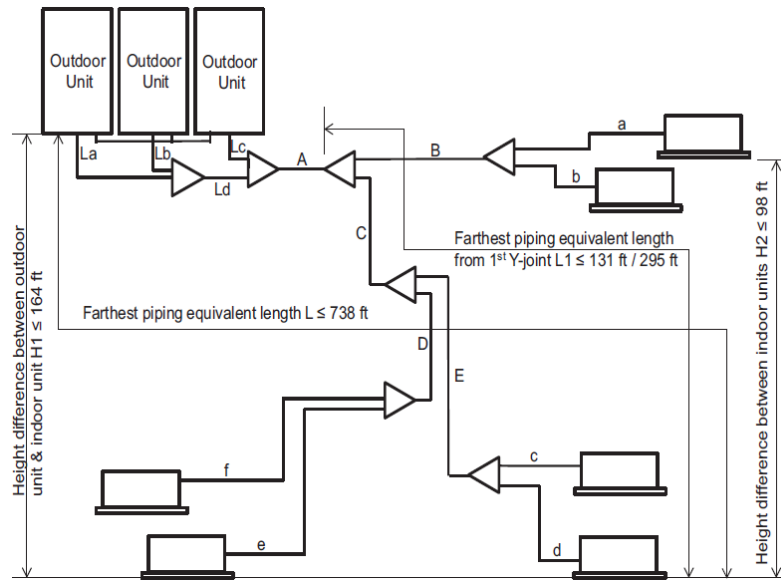


Figure 22 - Piping Lengths and Drop Height

Table 37 - Permitted Pipe Lengths and Drop Heights

DESCRIPTION		ALLOWABLE VALUE (ft)	PIPES	
Piping Length	Total Extension of Pipe (Liquid Pipe)	Actual Length	3280	
	Distance Between Outdoor Units	Actual Length	13	
	Furthest Piping Length L	Equivalent Length	≤ 738	La + Lb + Lc + Ld + A + (B + C + D + E) x 2 + a + b + c + e + f
		Actual Length	≤ 656	
Furthest Equivalent Piping Length From the First YJoint L1		≤ 131 / 295	C + E + d	
Height Difference	Height Between Outdoor and Indoor Unit H1	Outdoor Unit Above	164	
		Outdoor Unit Below	131	
	Height Between Indoor Units H2		98	---

Table 38 - Extending Pipe Diameters

CONDITION	PIPES TO INCREASE	INCREASED PIPE SIZE
If distance from the first Y-joint to the last Y-joint (pipes C+E+d) is ≥ 131 ft or ≤ to 295 ft	B,C,D,E	ø 3/8 in. → ø 1/2 in. ø 1/2 in. → ø 5/8 in. ø 5/8 in. → ø 3/4 in. ø 3/4 in. → ø 7/8 in. ø 7/8 in. → ø 1 1/8 in. ø 1 1/8 in. → ø 1 3/8 in. ø 1 3/8 in. → ø 1 5/8 in.

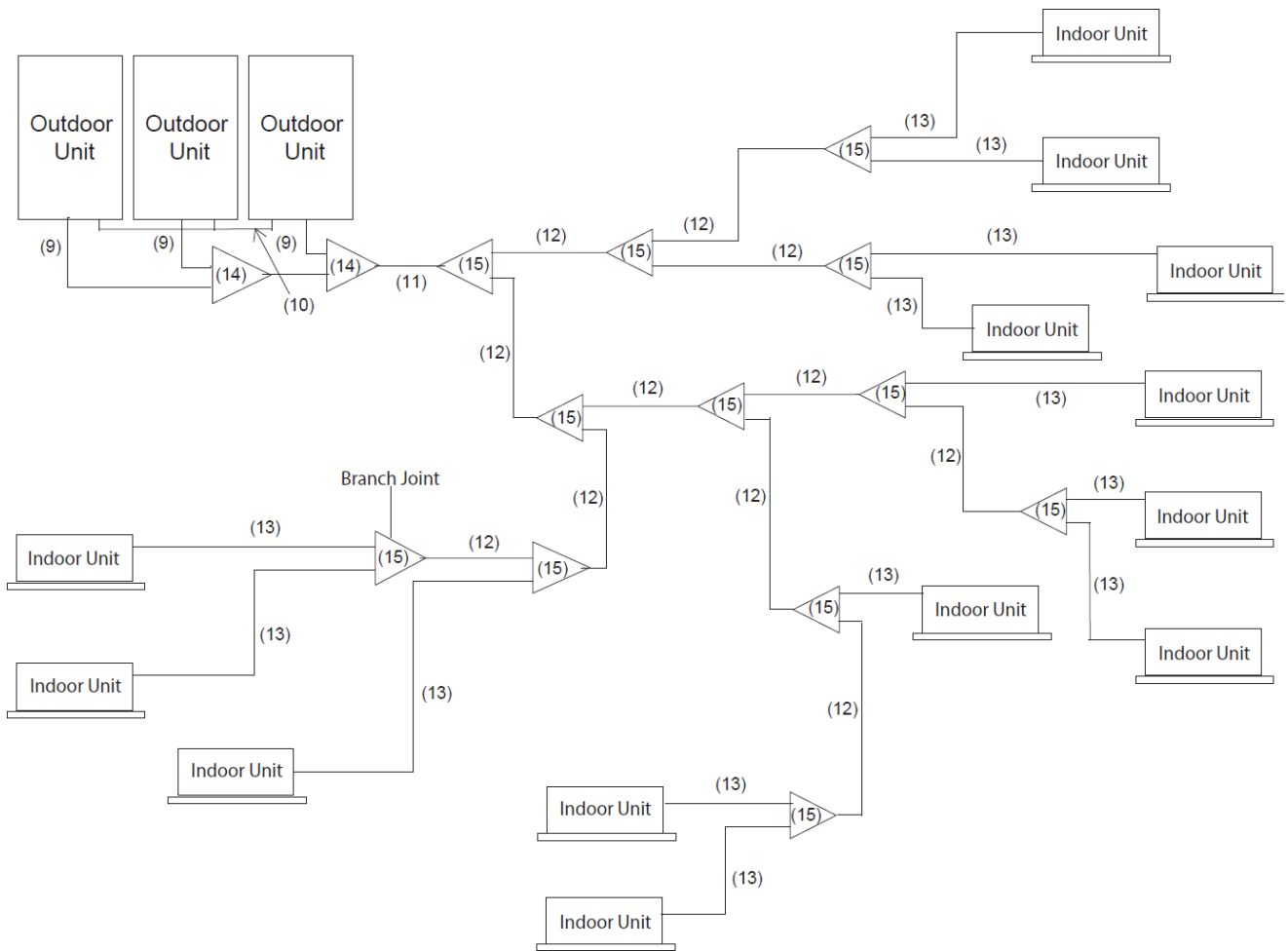


Figure 23 - Typical Refrigerant Piping Layout

Legend

- 9—See Table 39 - Outdoor Unit Connecting Pipe
- 10—See Table 40 - Oil Balancing Pipe Between Outdoor Unit
- 11—See Table 41 - Main Pipe Selection
- 12—See Table 42 - Branch Piping and Branch Joint Combinations for Indoor Units
- 13—See Table 43 - Indoor Unit Connection Pipe
- 14—See Table 44 - Outdoor Unit Connection Pipe
- 15—See Table 45 - Branch Piping

Table 39 - Outdoor Unit Connecting Pipe

38VMAH UNIT SIZE	GAS SIDE (in.)	LIQUID SIDE (in.)
072	7/8	1/2
096	7/8	1/2
120	1-1/8	5/8
144	1-1/8	5/8

Table 40 - Oil Balancing Pipe Between Outdoor Unit

OUTDOOR UNIT CAPACITY (kBtu/h)	BALANCING PIPE (in.)
168 and above	1/4

Table 41 - Main Pipe Selection

OUTDOOR UNIT CAPACITY (kBtu/h)	SIZE OF THE MAIN PIPE WHEN THE EQUIVALENT LENGTH OF LIQUID PIPE IS < 295 FT			SIZE OF THE MAIN PIPE WHEN THE EQUIVALENT LENGTH OF LIQUID PIPE IS > 295 FT		
	Gas Side (in)	Liquid Side (in)	First Branch Joint	Gas Side (in)	Liquid Side (in)	First Branch Joint
72	7/8	3/8	40VM900032	7/8	1/2	40VM900032
96	7/8	3/8	40VM900032	1-1/8	1/2	40VM900033
120~144	1-1/8	1/2	40VM900033	1-1/8	5/8	40VM900033
168~240	1-1/8	5/8	40VM900033	1-3/8	3/4	40VM900034
264~312	1-3/8	3/4	40VM900033	1-3/8	7/8	40VM900034
336~432	1-3/8	3/4	40VM900033	1-5/8	7/8	40VM900035

Table 42 - Branch Piping and Branch Joint Combinations for Indoor Units

TOTAL CAPACITY CODE OF INDOOR UNIT AT DOWNSTREAM SIDE	INDOOR UNIT MAIN PIPE	
	Gas Side (in)	Liquid Side (in)
Below 56	5/8	3/8
56 to 78	3/4	3/8
78 to 112	7/8	3/8
112 to 156	1-1/8	1/2
156 to 224	1-1/8	5/8
224 to 314	1-3/8	3/4
314 to 460	1-5/8	3/4
460 and above	1-5/8	7/8

Table 43 - Indoor Unit Connection Pipe

INDOOR UNIT CAPACITY (kBtu/h)	PIPING LENGTH			
	≤ 33 ft		>33 ft	
	Gas Side (in)	Liquid Side (in)	Gas Side (in)	Liquid Side (in)
7 to 18	1/2	1/4	5/8	3/8
24 to 54	5/8	3/8	3/4	1/2
72	3/4	3/8	7/8	1/2
96	7/8	3/8	1-1/8	1/2

Table 44 - Outdoor Unit Connection Pipe

OUTDOOR UNIT CAPACITY (kBtu/h)	BRANCH JOINT
144 - 264	40WA900021
288 - 432	40WA900022

Table 45 - Branch Piping

TOTAL CAPACITY CODE OF INDOOR UNIT AT DOWNSTREAM SIDE (kBtu/h)	BRANCH JOINT
Below 56	40VM900031
56 to 78	40VM900031
78 to 112	40VM900032
112 to 156	40VM900033
156 to 224	40VM900033
224 to 314	40VM900034
314 to 460	40VM900035
460 and above	40VM900035

Table 46 - Branch Joints

PART NO.	LOW-PRESSURE GAS SIDE JOINT (IN)	LIQUID SIDE JOINTS (IN)	HEAT INSULATION
40VM900021			<p>(2 SETS)</p>
40VM900022			<p>(4 SETS)</p>
40VM900031			<p>(2 SETS)</p>
40VM900032			<p>(2 SETS)</p>
40VM900033			<p>(2 SETS)</p>
40VM900034			<p>(2 SETS)</p>
40VM900035			<p>(2 SETS)</p>

b. Indoor Unit Branch

Refer to Table 46 - Branch Joints

Installation Notices

- Select the branch pipes' model according to the Model Selection Guide and the downstream indoor unit capacity.
- According to the actual piping size and cut off the needless parts with special tools such as cutter, take the 40VM900031 gas side for example and the operating steps as follow:
 - When selecting model 40VM900031, the actual object as display in Fig.1, and then suppose that the present using pipe is 5/8", then as display in Fig.2, cut the welded pipe of the branch pipe component.
 - As display in Fig.2, cut the standalone connecting pipe.
 - As display in Fig.3, weld the branch pipe components with the field pipes.
- Particularly notice the followings:
 - When the actual pipe size matches with the un-welded side of U-shape three direct links, weld the pipe with the U-shape three direct links directly.
 - For the separate un-welded connecting pipe of 40VM900034, as display in Fig. 3, please cut in the bottom of the necking side if the flaring side is needed to be used, and vice versa.

Installation Precaution

Pay attention to the distance of straight horizontal pipe.

- The straight horizontal pipe's distance between two adjacent branch pipes should $\geq 20"$
- Distance between two adjacent branches should $\geq 20"$.
- The straight horizontal pipe's distance which outdoor unit connecting behind the branch pipe should $\geq 20"$

Figure 24 - Installation Notices and Precautions

Horizontally Placing Branch Pipe

Heat insulation

Be sure to insulate the branches against heat

- Example of connected branch.
- Use the supplied heat insulation material to insulate the branches against heat.
- Apply the heat insulation material and seal all connections with tape.

Figure 25 - Heat Insulation

Figure 26 - Horizontally Placing Branch Pipes

c. Outdoor Unit Branch

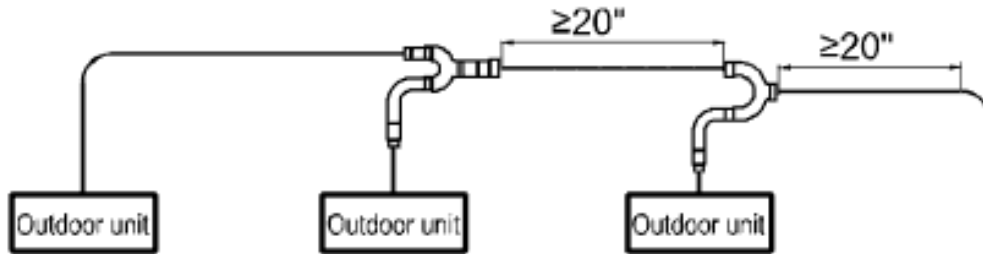
Refer to Table 46 - Branch Joints

Table 47 - Branch Joint Dimensions

Name	Low-pressure gas side joints (inch)	Liquid side joints (inch)	Oil balance joint (inch)	Heat insulation material
40VM900021				 (2 sets)
40VM900022				 (4 sets)

Installation Precaution

1) Pay attention to the distance of straight horizontal pipe.



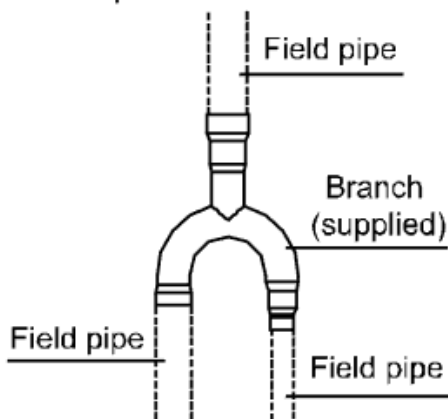
- The straight horizontal pipe's distance between two adjacent branch pipes should $\geq 20"$.
- The straight horizontal pipe's distance which outdoor unit connecting behind the branch pipe should $\geq 20"$.

Figure 27 - Installation Precautions

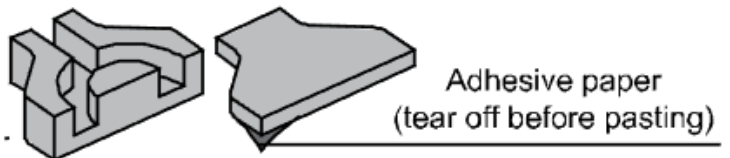
Heat insulation

Be sure to insulate the branches against heat

1) Example of connected branch.



2) Use the supplied heat insulation material to insulate the branches against heat.



heat insulation material(supplied)

3) Apply the heat insulation material and seal all connections with tape.

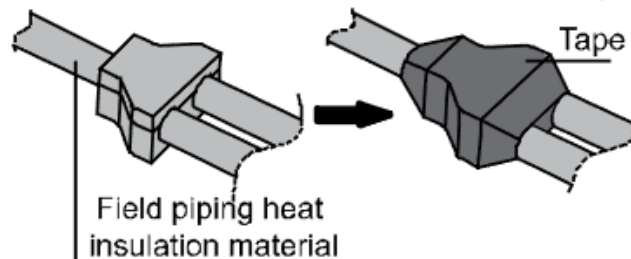


Figure 28 - Heat Insulation

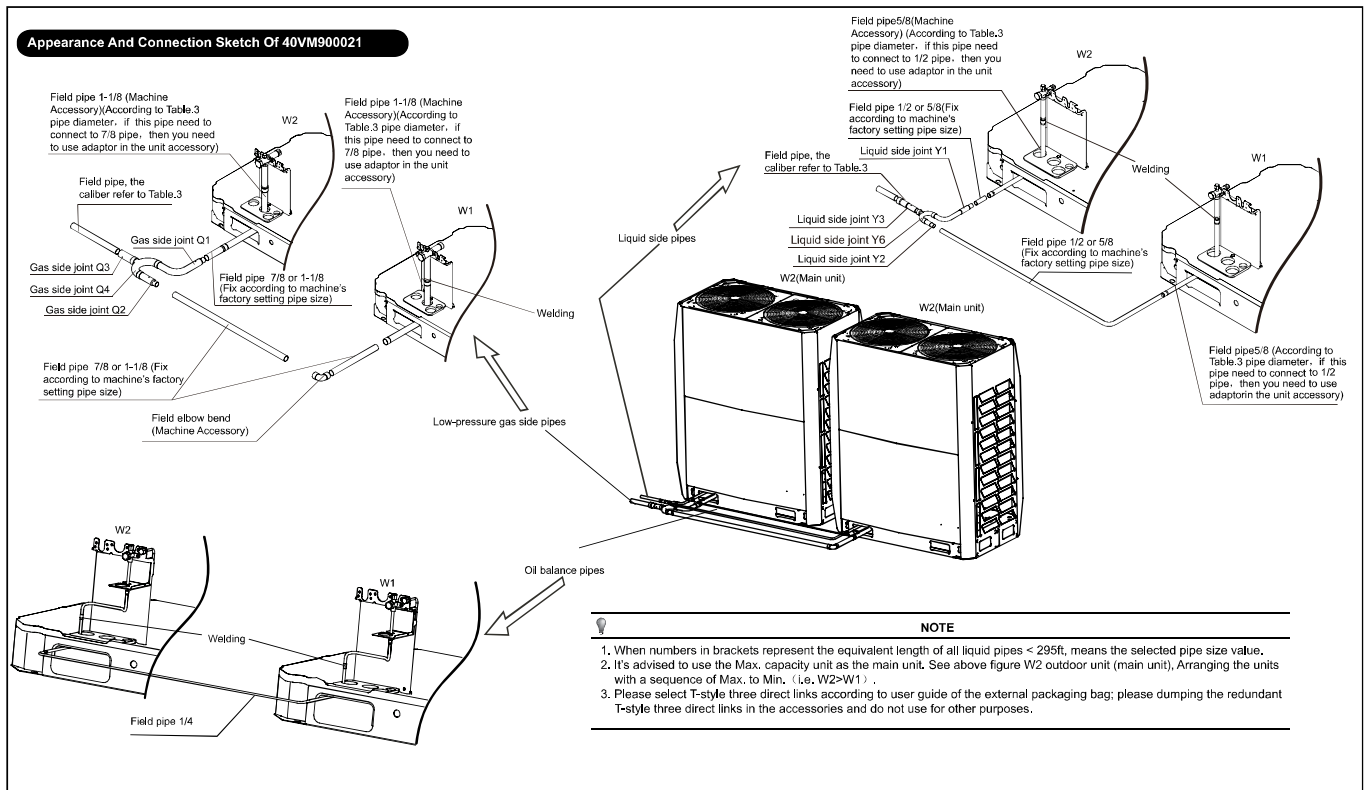


Figure 29 - Appearance and Connection Sketch of 40VM900021

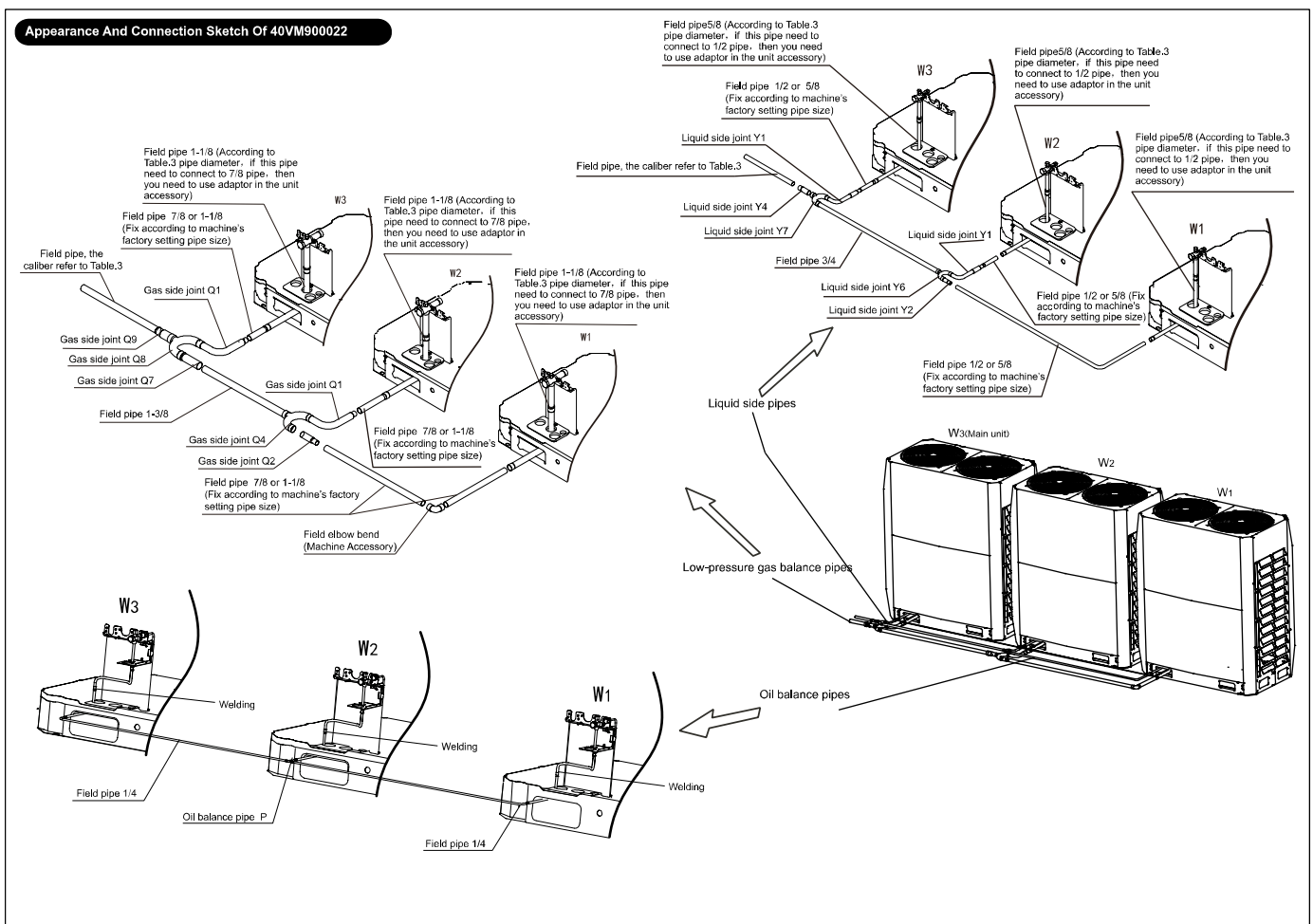


Figure 30 - Appearance and Connection Sketch of 40VM900022

2. Refrigerant Charge Calculation

- 1) Calculate the amount of refrigerant to add using Table 48 - Refrigerant to Add Using Liquid Pipe Size and Figure 31 - Calculating the Amount of Refrigerant to Add. The refrigerant is R-410A.

NOTE: Assume equivalent pipe length of the branch joint to be 1.6 ft (for calculation purposes).

Table 48 - Refrigerant to Add Using Liquid Pipe Size

PIPE SIZE ON LIQUID SIDE (in.)	REFRIGERANT TO BE ADDED PER FOOT (lb/ft)
1/4	0.015
3/8	0.040
1/2	0.080
5/8	0.120
3/4	0.181
7/8	0.255

R: Refrigerant amount to be added (lb)

$$R = \left(\begin{array}{l} \left(\begin{array}{l} \text{Total length (ft)} \\ \text{of liquid piping} \\ \text{size at } \varnothing 7/8 \text{ in.} \end{array} \right) \times 0.255 + \left(\begin{array}{l} \text{Total length (ft)} \\ \text{of liquid piping} \\ \text{size at } \varnothing 3/4 \text{ in.} \end{array} \right) \times 0.181 + \\ \left(\begin{array}{l} \text{Total length (ft)} \\ \text{of liquid piping} \\ \text{size at } \varnothing 5/8 \text{ in.} \end{array} \right) \times 0.120 + \left(\begin{array}{l} \text{Total length (ft)} \\ \text{of liquid piping} \\ \text{size at } \varnothing 1/2 \text{ in.} \end{array} \right) \times 0.080 + \\ \left(\begin{array}{l} \text{Total length (ft)} \\ \text{of liquid piping} \\ \text{size at } \varnothing 3/8 \text{ in.} \end{array} \right) \times 0.040 + \left(\begin{array}{l} \text{Total length (ft)} \\ \text{of liquid piping} \\ \text{size at } \varnothing 1/4 \text{ in.} \end{array} \right) \times 0.015 \end{array} \right)$$

Figure 31 - Calculating the Amount of Refrigerant to Add

All service valves on the outdoor units should remain fully closed.

R-410A refrigerant should be added (in liquid state) at the liquid line service port on the header unit.

If the total calculated amount of refrigerant can be added to the system, the charging process is finished.

If the total calculated amount of refrigerant cannot be added to the system, close the valve on the refrigerant bottle, move the charging hose from the liquid line service port to the suction line service port.

Open the suction and liquid service valves on the header unit and start the system in cooling mode.

Slowly open the valve on the refrigerant bottle and carefully release liquid refrigerant into the suction service port.

If the total calculated charge amount is added completely to the system, the charging process is finished.

IV. Capacity Data Tables

1. Cooling Capacity

a. Single Units

Table 49 - 38VMA072HDS5-1, 38VMA072HDS6-1

Connected Capacity Ratio	Outdoor air temp.	Indoor air temp.											
		DB /WB		DB /WB		DB /WB		DB /WB		DB /WB		DB /WB	
		67°F	57°F	71°F	60°F	75°F	63°F	80°F	67°F	85°F	71°F	90°F	75°F
		Tc	PI	Tc	PI	Tc	PI	Tc	PI	Tc	PI	Tc	PI
°F DB	MBH	kW	MBH	kW	MBH	kW	MBH	kW	MBH	kW	MBH	kW	
135	5	60.70	1.92	70.60	2.28	80.44	2.65	93.60	3.15	101.29	3.34	103.43	3.20
	14	60.70	1.96	70.60	2.33	80.44	2.71	93.60	3.22	101.29	3.41	103.43	3.27
	25	60.70	2.00	70.60	2.38	80.44	2.76	93.60	3.28	101.29	3.48	103.43	3.33
	30	60.70	2.05	70.60	2.43	80.44	2.82	93.60	3.36	99.50	3.46	102.00	3.31
	35	60.70	2.10	70.60	2.49	80.44	2.89	93.60	3.44	97.95	3.43	100.45	3.28
	40	60.70	2.15	70.60	2.55	80.44	2.96	93.60	3.52	96.40	3.40	98.90	3.25
	45	60.70	2.20	70.60	2.62	80.44	3.04	92.15	3.51	94.78	3.38	97.25	3.22
	50	60.70	2.25	70.60	2.68	80.44	3.12	90.70	3.50	93.15	3.35	95.60	3.19
	55	60.70	2.31	70.60	2.75	80.44	3.20	89.08	3.48	91.53	3.34	93.98	3.28
	60	60.70	2.37	70.60	2.82	80.44	3.28	87.45	3.51	89.90	3.49	92.35	3.53
	65	60.70	2.48	70.60	2.96	80.39	3.52	84.85	3.78	87.30	3.90	89.75	3.94
	70	60.70	2.54	70.60	3.15	79.50	3.73	84.20	3.95	86.60	4.00	89.10	4.04
	75	60.70	2.79	70.60	3.47	78.43	4.01	82.50	4.20	85.00	4.25	87.50	4.30
	80	60.70	3.05	70.60	3.80	77.35	4.30	80.88	4.46	83.38	4.51	85.88	4.56
	85	60.70	3.34	70.60	4.17	76.27	4.60	79.25	4.71	81.75	4.77	84.25	4.82
	90	60.70	3.65	70.49	4.55	75.13	4.90	77.63	4.97	80.13	5.03	82.48	5.08
	95	60.70	3.98	69.48	4.84	73.60	5.16	76.00	5.22	78.35	5.28	78.90	5.30
	100	60.70	4.35	68.24	5.12	71.97	5.42	74.13	5.47	74.86	5.50	74.90	5.50
	105	60.70	4.78	67.00	5.46	70.06	5.71	70.80	5.74	70.90	5.74	70.90	5.74
	110	60.70	5.32	65.28	5.88	66.80	6.06	66.90	6.06	66.90	6.06	66.90	6.06
115	57.60	6.11	57.68	6.11	57.83	6.13	58.00	6.13	58.15	6.14	58.30	6.15	
118	49.54	5.57	49.60	5.57	49.74	5.58	49.88	5.59	50.01	5.60	50.14	5.61	
122	42.60	5.07	42.66	5.07	42.77	5.08	42.90	5.08	43.01	5.09	43.12	5.10	
125	36.64	4.61	36.69	4.62	36.79	4.62	36.89	4.63	36.99	4.64	37.08	4.64	
120	5	56.10	1.77	65.18	2.09	74.27	2.42	86.40	2.88	97.92	3.31	102.14	3.30
	14	56.10	1.80	65.18	2.13	74.27	2.47	86.40	2.94	97.92	3.38	102.14	3.37
	25	56.10	1.84	65.18	2.17	74.27	2.52	86.40	3.00	97.92	3.45	102.14	3.43
	30	56.10	1.88	65.18	2.22	74.27	2.58	86.40	3.07	97.10	3.48	100.00	3.41
	35	56.10	1.92	65.18	2.27	74.27	2.64	86.40	3.14	95.98	3.49	98.55	3.39
	40	56.10	1.96	65.18	2.33	74.27	2.70	86.40	3.22	94.85	3.50	97.10	3.36
	45	56.10	2.01	65.18	2.38	74.27	2.77	86.40	3.30	93.23	3.47	95.50	3.34
	50	56.10	2.06	65.18	2.44	74.27	2.84	86.40	3.39	91.60	3.44	93.90	3.31
	55	56.10	2.12	65.18	2.51	74.27	2.92	86.40	3.47	89.98	3.42	92.28	3.31
	60	56.10	2.18	65.18	2.58	74.27	3.00	85.90	3.53	88.35	3.49	90.65	3.51
	65	56.10	2.27	65.18	2.69	74.27	3.16	83.68	3.70	85.75	3.85	88.05	3.90
	70	56.10	2.29	65.18	2.81	74.27	3.39	82.80	3.93	85.10	3.98	87.40	4.01
	75	56.10	2.49	65.18	3.09	74.27	3.73	81.20	4.18	83.45	4.23	85.70	4.27
	80	56.10	2.73	65.18	3.39	74.20	4.09	79.58	4.44	81.83	4.48	84.08	4.53
	85	56.10	2.99	65.18	3.71	73.57	4.41	77.95	4.68	80.20	4.74	82.45	4.78
	90	56.10	3.25	65.18	4.05	72.48	4.71	76.33	4.93	78.58	4.99	80.83	5.04
	95	56.10	3.55	65.18	4.43	71.40	5.00	74.70	5.19	76.95	5.25	78.90	5.30
	100	56.10	3.87	65.18	4.84	70.32	5.32	73.08	5.44	74.68	5.49	74.90	5.50
	105	56.10	4.25	64.93	5.29	69.11	5.68	70.70	5.73	70.90	5.74	70.90	5.74
	110	56.10	4.74	63.83	5.72	66.67	6.06	66.90	6.06	66.90	6.06	66.90	6.06
115	56.10	5.28	57.30	5.91	57.83	6.13	58.00	6.13	58.15	6.14	58.30	6.15	
118	49.54	4.94	49.60	5.42	49.74	5.58	49.88	5.59	50.01	5.60	50.14	5.61	
122	42.60	4.50	42.66	4.93	42.77	5.08	42.90	5.08	43.01	5.09	43.12	5.10	
125	36.64	4.09	36.69	4.49	36.79	4.62	36.89	4.63	36.99	4.64	37.08	4.64	
110	5	51.40	1.61	59.73	1.89	68.10	2.19	79.20	2.60	90.30	3.03	100.34	3.39
	14	51.40	1.64	59.73	1.93	68.10	2.23	79.20	2.66	90.30	3.09	100.34	3.46
	25	51.40	1.68	59.73	1.97	68.10	2.28	79.20	2.71	90.30	3.16	100.34	3.53
	30	51.40	1.71	59.73	2.02	68.10	2.33	79.20	2.78	90.30	3.23	98.70	3.51
	35	51.40	1.75	59.73	2.06	68.10	2.39	79.20	2.84	90.30	3.31	97.05	3.49
	40	51.40	1.79	59.73	2.11	68.10	2.45	79.20	2.91	90.30	3.39	95.40	3.47
	45	51.40	1.83	59.73	2.17	68.10	2.51	79.20	2.99	89.68	3.43	93.80	3.44
	50	51.40	1.87	59.73	2.22	68.10	2.57	79.20	3.06	89.05	3.47	92.20	3.41
55	51.40	1.92	59.73	2.27	68.10	2.63	79.20	3.14	88.16	3.50	90.48	3.38	

Connected Capacity Ratio	Outdoor air temp.	Indoor air temp.												
		DB /WB		DB /WB		DB /WB		DB /WB		DB /WB		DB /WB		
		67°F	57°F	71°F	60°F	75°F	63°F	80°F	67°F	85°F	71°F	90°F	75°F	
		Tc	PI	Tc	PI	Tc	PI	Tc	PI	Tc	PI	Tc	PI	
°F DB	MBH	kW	MBH	kW	MBH	kW	MBH	kW	MBH	kW	MBH	kW		
100	60	51.40	1.97	59.73	2.33	68.10	2.71	79.20	3.23	86.80	3.53	88.85	3.48	
	65	51.40	2.05	59.73	2.44	68.10	2.83	79.20	3.44	84.20	3.74	86.25	3.89	
	70	51.40	2.07	59.73	2.50	68.10	2.98	79.20	3.72	83.55	3.95	85.60	3.99	
	75	51.40	2.22	59.73	2.73	68.10	3.28	79.20	4.10	81.95	4.20	84.00	4.24	
	80	51.40	2.42	59.73	2.99	68.10	3.60	78.28	4.40	80.33	4.45	82.38	4.49	
	85	51.40	2.65	59.73	3.27	68.10	3.94	76.60	4.66	78.70	4.70	80.75	4.75	
	90	51.40	2.89	59.73	3.58	68.10	4.32	74.93	4.90	77.08	4.96	79.13	5.00	
	95	51.40	3.15	59.73	3.90	68.10	4.71	73.30	5.15	75.40	5.21	77.50	5.27	
	100	51.40	3.42	59.73	4.25	67.62	5.09	71.68	5.41	73.68	5.46	74.90	5.50	
	105	51.40	3.76	59.73	4.68	66.52	5.44	70.10	5.71	70.87	5.74	70.90	5.74	
	110	51.40	4.18	59.73	5.22	65.37	5.89	66.90	6.06	66.90	6.06	66.90	6.06	
	115	51.40	4.66	56.13	5.75	57.83	6.13	58.00	6.13	58.15	6.14	58.30	6.15	
	118	49.54	4.76	49.60	5.39	49.74	5.58	49.88	5.59	50.01	5.60	50.14	5.61	
	122	42.60	4.33	42.66	4.90	42.77	5.08	42.90	5.08	43.01	5.09	43.12	5.10	
	125	36.64	3.94	36.69	4.46	36.79	4.62	36.89	4.63	36.99	4.64	37.08	4.64	
	100	5	46.70	1.46	54.28	1.71	61.87	1.97	72.00	2.33	82.10	2.71	92.20	3.10
		14	46.70	1.49	54.28	1.74	61.87	2.01	72.00	2.38	82.10	2.77	92.20	3.16
		25	46.70	1.52	54.28	1.78	61.87	2.05	72.00	2.42	82.10	2.82	92.20	3.23
30		46.70	1.55	54.28	1.82	61.87	2.09	72.00	2.48	82.10	2.89	92.20	3.31	
35		46.70	1.59	54.28	1.86	61.87	2.14	72.00	2.54	82.10	2.96	92.20	3.39	
40		46.70	1.62	54.28	1.90	61.87	2.20	72.00	2.61	82.10	3.03	92.20	3.47	
45		46.70	1.65	54.28	1.95	61.87	2.25	72.00	2.67	82.10	3.11	91.30	3.49	
50		46.70	1.69	54.28	1.99	61.87	2.31	72.00	2.74	82.10	3.19	90.40	3.52	
55		46.70	1.73	54.28	2.04	61.87	2.36	72.00	2.81	82.10	3.27	88.78	3.49	
60		46.70	1.77	54.28	2.09	61.87	2.43	72.00	2.89	82.10	3.36	87.15	3.52	
65		46.70	1.85	54.28	2.19	61.87	2.54	72.00	3.02	81.80	3.60	84.55	3.76	
70		46.70	1.87	54.28	2.21	61.87	2.61	72.00	3.23	81.05	3.84	83.90	3.95	
75		46.70	1.96	54.28	2.39	61.87	2.86	72.00	3.56	80.25	4.15	82.30	4.20	
80		46.70	2.14	54.28	2.62	61.87	3.14	72.00	3.90	78.78	4.42	80.68	4.46	
85		46.70	2.33	54.28	2.86	61.87	3.43	72.00	4.28	77.15	4.67	79.05	4.71	
90		46.70	2.54	54.28	3.12	61.87	3.76	72.00	4.69	75.53	4.91	77.43	4.96	
95		46.70	2.76	54.28	3.40	61.87	4.10	72.00	5.12	73.90	5.17	75.80	5.22	
100		46.70	3.01	54.28	3.71	61.87	4.47	70.38	5.37	72.28	5.42	74.00	5.47	
105	46.70	3.30	54.28	4.08	61.87	4.92	68.73	5.68	70.40	5.73	70.90	5.74		
110	46.70	3.67	54.28	4.55	61.87	5.49	66.90	6.06	66.90	6.06	66.90	6.06		
115	46.70	4.07	54.28	5.05	57.53	5.88	58.00	6.13	58.15	6.14	58.30	6.15		
118	46.70	4.31	47.76	4.71	49.74	5.39	49.88	5.59	50.01	5.60	50.14	5.61		
122	40.16	3.92	41.08	4.29	42.77	4.90	42.90	5.08	43.01	5.09	43.12	5.10		
125	34.54	3.57	35.33	3.90	36.79	4.46	36.89	4.63	36.99	4.64	37.08	4.64		
90	5	42.00	1.31	48.83	1.53	55.70	1.76	64.80	2.08	73.90	2.40	83.00	2.74	
	14	42.00	1.34	48.83	1.56	55.70	1.79	64.80	2.12	73.90	2.45	83.00	2.80	
	25	42.00	1.37	48.83	1.59	55.70	1.83	64.80	2.16	73.90	2.50	83.00	2.86	
	30	42.00	1.39	48.83	1.62	55.70	1.87	64.80	2.21	73.90	2.56	83.00	2.92	
	35	42.00	1.42	48.83	1.66	55.70	1.91	64.80	2.26	73.90	2.62	83.00	3.00	
	40	42.00	1.45	48.83	1.70	55.70	1.95	64.80	2.31	73.90	2.68	83.00	3.07	
	45	42.00	1.48	48.83	1.74	55.70	2.00	64.80	2.37	73.90	2.75	83.00	3.15	
	50	42.00	1.52	48.83	1.78	55.70	2.05	64.80	2.42	73.90	2.82	83.00	3.23	
	55	42.00	1.55	48.83	1.82	55.70	2.10	64.80	2.49	73.90	2.89	83.00	3.31	
	60	42.00	1.59	48.83	1.87	55.70	2.16	64.80	2.55	73.90	2.98	83.00	3.40	
	65	42.00	1.66	48.83	1.95	55.70	2.24	64.80	2.67	73.90	3.13	83.00	3.68	
	70	42.00	1.67	48.83	1.96	55.70	2.27	64.80	2.78	73.90	3.36	82.20	3.92	
	75	42.00	1.72	48.83	2.08	55.70	2.47	64.80	3.05	73.90	3.69	80.60	4.17	
	80	42.00	1.88	48.83	2.28	55.70	2.71	64.80	3.35	73.90	4.06	78.98	4.42	
	85	42.00	2.04	48.83	2.48	55.70	2.96	64.80	3.66	73.70	4.43	77.35	4.67	
	90	42.00	2.22	48.83	2.71	55.70	3.24	64.80	4.01	73.01	4.77	75.73	4.92	
	95	42.00	2.41	48.83	2.95	55.70	3.53	64.80	4.37	72.20	5.11	74.10	5.18	
	100	42.00	2.62	48.83	3.21	55.70	3.84	64.80	4.78	70.73	5.38	72.48	5.43	
105	42.00	2.87	48.83	3.52	55.70	4.22	64.80	5.26	69.12	5.68	70.57	5.73		
110	42.00	3.18	48.83	3.91	55.70	4.70	64.80	5.87	66.90	6.06	66.90	6.06		
115	42.00	3.52	48.83	4.35	55.63	5.63	58.00	6.13	58.15	6.14	58.30	6.15		
118	42.00	3.73	47.76	4.51	48.40	5.19	49.88	5.59	50.01	5.60	50.14	5.61		
122	36.12	3.40	41.08	4.10	41.63	4.72	42.90	5.08	43.01	5.09	43.12	5.10		
125	31.06	3.09	35.33	3.73	35.80	4.30	36.89	4.63	36.99	4.64	37.08	4.64		
80	5	37.40	1.17	43.48	1.36	49.50	1.55	57.60	1.82	65.70	2.10	73.80	2.39	
	14	37.40	1.20	43.48	1.38	49.50	1.58	57.60	1.86	65.70	2.15	73.80	2.44	
	25	37.40	1.22	43.48	1.41	49.50	1.61	57.60	1.90	65.70	2.19	73.80	2.49	
	30	37.40	1.25	43.48	1.44	49.50	1.64	57.60	1.94	65.70	2.24	73.80	2.55	
	35	37.40	1.27	43.48	1.47	49.50	1.68	57.60	1.98	65.70	2.29	73.80	2.61	
	40	37.40	1.29	43.48	1.50	49.50	1.72	57.60	2.03	65.70	2.35	73.80	2.67	
	45	37.40	1.32	43.48	1.54	49.50	1.76	57.60	2.08	65.70	2.40	73.80	2.75	
50	37.40	1.35	43.48	1.57	49.50	1.80	57.60	2.13	65.70	2.46	73.80	2.82		

Connected Capacity Ratio	Outdoor air temp.	Indoor air temp.											
		DB /WB		DB /WB		DB /WB		DB /WB		DB /WB		DB /WB	
		67°F	57°F	71°F	60°F	75°F	63°F	80°F	67°F	85°F	71°F	90°F	75°F
		Tc	PI	Tc	PI	Tc	PI	Tc	PI	Tc	PI	Tc	PI
°F DB	MBH	kW	MBH	kW	MBH	kW	MBH	kW	MBH	kW	MBH	kW	
70	55	37.40	1.38	43.48	1.61	49.50	1.85	57.60	2.18	65.70	2.53	73.80	2.89
	60	37.40	1.41	43.48	1.65	49.50	1.89	57.60	2.23	65.70	2.60	73.80	2.97
	65	37.40	1.47	43.48	1.71	49.50	1.97	57.60	2.33	65.70	2.71	73.80	3.12
	70	37.40	1.48	43.48	1.73	49.50	1.99	57.60	2.36	65.70	2.83	73.80	3.34
	75	37.40	1.52	43.48	1.80	49.50	2.11	57.60	2.58	65.70	3.12	73.80	3.68
	80	37.40	1.63	43.48	1.95	49.50	2.31	57.60	2.84	65.70	3.42	73.80	4.05
	85	37.40	1.77	43.48	2.13	49.50	2.53	57.60	3.10	65.70	3.74	73.80	4.44
	90	37.40	1.92	43.48	2.32	49.50	2.75	57.60	3.38	65.70	4.09	73.65	4.85
	95	37.40	2.08	43.48	2.53	49.50	3.00	57.60	3.69	65.70	4.46	72.30	5.13
	100	37.40	2.26	43.48	2.74	49.50	3.26	57.60	4.02	65.70	4.88	70.68	5.38
	105	37.40	2.47	43.48	3.00	49.50	3.57	57.60	4.43	65.67	5.36	69.10	5.69
	110	37.40	2.73	43.48	3.33	49.50	3.98	57.60	4.93	65.00	5.89	66.90	6.06
	115	37.40	3.02	43.48	3.70	49.50	4.42	57.60	5.48	58.15	6.14	58.30	6.15
	118	37.40	3.21	43.48	3.92	48.40	4.58	49.88	5.03	50.01	5.60	50.14	5.61
	122	32.16	2.92	37.39	3.57	41.63	4.17	42.90	4.58	43.01	5.09	43.12	5.10
125	27.66	2.66	32.15	3.24	35.80	3.79	36.89	4.17	36.99	4.64	37.08	4.64	
70	5	32.70	1.04	38.03	1.19	43.33	1.35	50.40	1.58	57.45	1.82	64.60	2.06
	14	32.70	1.06	38.03	1.21	43.33	1.38	50.40	1.61	57.45	1.85	64.60	2.11
	25	32.70	1.08	38.03	1.24	43.33	1.41	50.40	1.64	57.45	1.89	64.60	2.15
	30	32.70	1.10	38.03	1.26	43.33	1.43	50.40	1.68	57.45	1.93	64.60	2.20
	35	32.70	1.12	38.03	1.29	43.33	1.47	50.40	1.72	57.45	1.97	64.60	2.25
	40	32.70	1.14	38.03	1.31	43.33	1.50	50.40	1.76	57.45	2.02	64.60	2.30
	45	32.70	1.17	38.03	1.35	43.33	1.53	50.40	1.80	57.45	2.07	64.60	2.36
	50	32.70	1.19	38.03	1.38	43.33	1.57	50.40	1.84	57.45	2.12	64.60	2.41
	55	32.70	1.22	38.03	1.40	43.33	1.60	50.40	1.88	57.45	2.18	64.60	2.48
	60	32.70	1.24	38.03	1.44	43.33	1.64	50.40	1.93	57.45	2.23	64.60	2.54
	65	32.70	1.27	38.03	1.49	43.33	1.70	50.40	2.02	57.45	2.32	64.60	2.66
	70	32.70	1.30	38.03	1.51	43.33	1.73	50.40	2.03	57.45	2.36	64.60	2.76
	75	32.70	1.33	38.03	1.55	43.33	1.79	50.40	2.16	57.45	2.58	64.60	3.04
	80	32.70	1.40	38.03	1.66	43.33	1.95	50.40	2.36	57.45	2.82	64.60	3.33
	85	32.70	1.52	38.03	1.81	43.33	2.12	50.40	2.58	57.45	3.09	64.60	3.64
60	5	28.00	0.91	32.58	1.03	37.10	1.16	43.20	1.35	49.30	1.54	55.30	1.74
	14	28.00	0.93	32.58	1.06	37.10	1.19	43.20	1.38	49.30	1.57	55.30	1.78
	25	28.00	0.95	32.58	1.08	37.10	1.21	43.20	1.40	49.30	1.60	55.30	1.81
	30	28.00	0.96	32.58	1.10	37.10	1.23	43.20	1.43	49.30	1.64	55.30	1.85
	35	28.00	0.98	32.58	1.12	37.10	1.26	43.20	1.46	49.30	1.67	55.30	1.89
	40	28.00	1.00	32.58	1.14	37.10	1.29	43.20	1.50	49.30	1.71	55.30	1.94
	45	28.00	1.02	32.58	1.16	37.10	1.31	43.20	1.53	49.30	1.75	55.30	1.98
	50	28.00	1.04	32.58	1.19	37.10	1.34	43.20	1.56	49.30	1.79	55.30	2.03
	55	28.00	1.06	32.58	1.21	37.10	1.37	43.20	1.59	49.30	1.84	55.30	2.08
	60	28.00	1.08	32.58	1.24	37.10	1.40	43.20	1.64	49.30	1.88	55.30	2.14
	65	28.00	1.12	32.58	1.28	37.10	1.45	43.20	1.70	49.30	1.96	55.30	2.23
	70	28.00	1.12	32.58	1.29	37.10	1.47	43.20	1.72	49.30	1.98	55.30	2.25
	75	28.00	1.16	32.58	1.33	37.10	1.51	43.20	1.78	49.30	2.10	55.30	2.45
	80	28.00	1.19	32.58	1.39	37.10	1.62	43.20	1.94	49.30	2.30	55.30	2.68
	85	28.00	1.29	32.58	1.52	37.10	1.76	43.20	2.11	49.30	2.50	55.30	2.93
50	5	23.30	0.78	27.13	0.88	30.87	0.98	36.00	1.12	41.15	1.27	46.00	1.42
	14	23.30	0.79	27.13	0.90	30.87	1.00	36.00	1.14	41.15	1.29	46.00	1.45
	25	23.30	0.81	27.13	0.92	30.87	1.02	36.00	1.16	41.15	1.32	46.00	1.48
	30	23.30	0.83	27.13	0.94	30.87	1.03	36.00	1.18	41.15	1.34	46.00	1.50
	35	23.30	0.84	27.13	0.95	30.87	1.06	36.00	1.21	41.15	1.37	46.00	1.54
	40	23.30	0.85	27.13	0.97	30.87	1.08	36.00	1.23	41.15	1.40	46.00	1.57
	45	23.30	0.87	27.13	0.98	30.87	1.10	36.00	1.26	41.15	1.43	46.00	1.61
	50	23.30	0.91	27.13	1.03	30.87	1.15	36.00	1.31	41.15	1.48	46.00	1.68
	60	23.30	0.95	27.13	1.08	30.87	1.21	36.00	1.37	41.15	1.54	46.00	1.76
	70	23.30	1.00	27.13	1.14	30.87	1.29	36.00	1.43	41.15	1.60	46.00	1.84
	80	23.30	1.06	27.13	1.21	30.87	1.37	36.00	1.51	41.15	1.68	46.00	1.93
	90	23.30	1.13	27.13	1.30	30.87	1.46	36.00	1.60	41.15	1.77	46.00	2.03
	100	23.30	1.21	27.13	1.40	30.87	1.57	36.00	1.70	41.15	1.87	46.00	2.14
	110	23.30	1.30	27.13	1.51	30.87	1.70	36.00	1.81	41.15	2.00	46.00	2.26
	120	23.30	1.40	27.13	1.63	30.87	1.84	36.00	1.94	41.15	2.14	46.00	2.39
130	23.30	1.51	27.13	1.77	30.87	2.00	36.00	2.09	41.15	2.29	46.00	2.53	

Connected Capacity Ratio	Outdoor air temp.	Indoor air temp.											
		DB /WB		DB /WB		DB /WB		DB /WB		DB /WB		DB /WB	
		67°F	57°F	71°F	60°F	75°F	63°F	80°F	67°F	85°F	71°F	90°F	75°F
		Tc	PI	Tc	PI	Tc	PI	Tc	PI	Tc	PI	Tc	PI
°F DB	MBH	kW	MBH	kW	MBH	kW	MBH	kW	MBH	kW	MBH	kW	
50	23.30	0.89	27.13	1.00	30.87	1.11	36.00	1.29	41.15	1.46	46.00	1.64	
55	23.30	0.89	27.13	1.02	30.87	1.14	36.00	1.31	41.15	1.50	46.00	1.69	
60	23.30	0.91	27.13	1.04	30.87	1.17	36.00	1.35	41.15	1.53	46.00	1.74	
65	23.30	0.97	27.13	1.08	30.87	1.20	36.00	1.39	41.15	1.59	46.00	1.81	
70	23.30	0.94	27.13	1.08	30.87	1.21	36.00	1.42	41.15	1.60	46.00	1.74	
75	23.30	0.99	27.13	1.10	30.87	1.23	36.00	1.39	41.15	1.63	46.00	1.86	
80	23.30	0.98	27.13	1.13	30.87	1.29	36.00	1.51	41.15	1.77	46.00	2.03	
85	23.30	1.05	27.13	1.22	30.87	1.39	36.00	1.64	41.15	1.92	46.00	2.23	
90	23.30	1.15	27.13	1.32	30.87	1.50	36.00	1.78	41.15	2.08	46.00	2.41	
95	23.30	1.21	27.13	1.42	30.87	1.64	36.00	1.93	41.15	2.25	46.00	2.63	
100	23.30	1.32	27.13	1.54	30.87	1.76	36.00	2.08	41.15	2.45	46.00	2.84	
105	23.30	1.43	27.13	1.67	30.87	1.92	36.00	2.28	41.15	2.68	46.00	3.11	
110	23.30	1.57	27.13	1.83	30.87	2.12	36.00	2.53	41.15	2.97	46.00	3.46	
115	23.30	1.72	27.13	2.02	30.87	2.34	36.00	2.80	41.15	3.09	46.00	4.20	
118	23.30	1.83	27.13	2.14	30.87	2.48	36.00	2.97	41.15	3.27	46.00	4.46	
122	20.04	1.66	23.33	1.95	26.55	2.25	30.96	2.70	35.39	2.98	39.56	4.05	
125	17.23	1.51	20.06	1.77	22.83	2.05	26.63	2.46	30.44	2.71	34.02	3.69	

Table 50 - 38VMA096HDS5-1, 38VMA096HDS6-1

Connected Capacity Ratio	Outdoor air temp.	Indoor air temp.											
		DB /WB		DB /WB		DB /WB		DB /WB		DB /WB		DB /WB	
		67°F	57°F	71°F	60°F	75°F	63°F	80°F	67°F	85°F	71°F	90°F	75°F
		Tc	PI	Tc	PI	Tc	PI	Tc	PI	Tc	PI	Tc	PI
°F DB	MBH	kW	MBH	kW	MBH	kW	MBH	kW	MBH	kW	MBH	kW	
5	81.00	2.80	94.13	3.32	107.50	3.85	125.00	4.59	135.15	4.85	138.15	4.65	
14	81.00	2.85	94.13	3.39	107.50	3.93	125.00	4.68	135.15	4.95	138.15	4.75	
25	81.00	2.91	94.13	3.46	107.50	4.01	125.00	4.78	135.15	5.05	138.15	4.85	
30	81.00	2.98	94.13	3.53	107.50	4.10	125.00	4.89	133.00	5.02	136.00	4.81	
35	81.00	3.05	94.13	3.62	107.50	4.20	125.00	5.01	130.75	4.99	134.00	4.77	
40	81.00	3.12	94.13	3.70	107.50	4.30	125.00	5.12	128.50	4.95	132.00	4.73	
45	81.00	3.20	94.13	3.80	107.50	4.42	123.00	5.11	126.25	4.91	129.50	4.68	
50	81.00	3.28	94.13	3.90	107.50	4.53	121.00	5.09	124.00	4.87	127.00	4.64	
55	81.00	3.36	94.13	4.00	107.50	4.65	118.50	5.06	122.13	4.86	125.50	4.76	
60	81.00	3.45	94.13	4.11	107.50	4.77	116.50	5.10	120.00	5.08	123.00	5.13	
65	81.00	3.60	94.13	4.31	107.50	5.12	113.75	5.49	116.00	5.66	119.75	5.72	
70	81.00	3.69	94.13	4.58	106.17	5.43	112.00	5.75	115.50	5.82	119.00	5.87	
75	81.00	4.04	94.13	5.04	104.84	5.83	110.00	6.12	113.50	6.18	117.00	6.25	
80	81.00	4.44	94.13	5.53	103.17	6.25	107.75	6.48	111.13	6.56	114.50	6.63	
85	81.00	4.85	94.13	6.06	101.50	6.68	106.00	6.85	109.00	6.93	112.00	7.01	
90	81.00	5.30	93.96	6.62	100.26	7.12	103.50	7.22	106.88	7.31	109.50	7.39	
95	81.00	5.78	92.63	7.04	98.10	7.50	101.00	7.60	104.50	7.68	105.00	7.70	
100	81.00	6.31	90.96	7.44	95.94	7.87	98.93	7.96	99.90	7.99	99.93	7.99	
105	81.00	6.94	89.35	7.93	93.45	8.31	94.47	8.34	94.47	8.34	94.57	8.35	
110	81.00	7.75	87.08	8.55	89.10	8.81	89.10	8.81	89.20	8.82	89.20	8.82	
115	76.80	8.88	76.95	8.89	77.13	8.90	77.30	8.91	77.55	8.93	77.70	8.94	
118	66.05	8.10	66.18	8.10	66.34	8.11	66.48	8.12	66.69	8.14	66.82	8.15	
122	56.80	7.37	56.91	7.37	57.05	7.38	57.17	7.39	57.36	7.41	57.47	7.42	
125	48.85	6.70	48.95	6.71	49.06	6.72	49.17	6.73	49.33	6.74	49.42	6.75	
5	74.80	2.56	86.88	3.03	98.97	3.51	115.00	4.18	130.57	4.81	136.15	4.79	
14	74.80	2.62	86.88	3.09	98.97	3.58	115.00	4.27	130.57	4.91	136.15	4.89	
25	74.80	2.67	86.88	3.16	98.97	3.66	115.00	4.35	130.57	5.01	136.15	4.99	
30	74.80	2.73	86.88	3.23	98.97	3.74	115.00	4.46	129.50	5.05	134.00	4.96	
35	74.80	2.80	86.88	3.30	98.97	3.84	115.00	4.57	128.00	5.07	132.00	4.92	
40	74.80	2.86	86.88	3.38	98.97	3.93	115.00	4.68	126.50	5.08	130.00	4.88	
45	74.80	2.93	86.88	3.47	98.97	4.03	115.00	4.80	124.25	5.05	127.50	4.84	
50	74.80	3.00	86.88	3.55	98.97	4.13	115.00	4.92	122.00	5.01	125.00	4.80	
55	74.80	3.07	86.88	3.65	98.97	4.24	115.00	5.05	120.00	4.98	122.75	4.82	
60	74.80	3.15	86.88	3.74	98.97	4.35	114.50	5.13	117.75	5.08	121.00	5.10	
65	74.80	3.29	86.88	3.90	98.97	4.60	111.75	5.37	114.38	5.59	117.00	5.69	
70	74.80	3.33	86.88	4.08	98.97	4.92	110.00	5.72	113.50	5.78	116.00	5.83	
75	74.80	3.63	86.88	4.48	98.97	5.42	108.00	6.08	111.50	6.14	114.00	6.21	
80	74.80	3.97	86.88	4.92	98.97	5.94	106.50	6.44	109.13	6.51	112.50	6.58	
85	74.80	4.33	86.88	5.39	98.30	6.42	104.00	6.81	107.00	6.88	110.00	6.96	
90	74.80	4.74	86.88	5.89	96.69	6.84	101.50	7.18	104.88	7.26	107.50	7.34	
95	74.80	5.17	86.88	6.43	95.17	7.28	99.60	7.55	102.50	7.63	105.00	7.70	
100	74.80	5.63	86.88	7.03	93.75	7.73	97.45	7.91	99.53	7.98	99.93	7.99	
105	74.80	6.18	86.58	7.68	92.19	8.26	94.30	8.34	94.47	8.34	94.57	8.35	
110	74.80	6.89	85.08	8.31	88.90	8.80	89.10	8.81	89.20	8.82	89.20	8.82	
115	74.80	7.67	76.45	8.59	77.13	8.90	77.30	8.91	77.55	8.93	77.70	8.94	
118	66.05	7.18	66.18	7.88	66.34	8.11	66.48	8.12	66.69	8.14	66.82	8.15	

Connected Capacity Ratio	Outdoor air temp.	Indoor air temp.											
		DB /WB		DB /WB		DB /WB		DB /WB		DB /WB		DB /WB	
		67°F	57°F	71°F	60°F	75°F	63°F	80°F	67°F	85°F	71°F	90°F	75°F
		Tc	PI	Tc	PI	Tc	PI	Tc	PI	Tc	PI	Tc	PI
°F DB	MBH	kW	MBH	kW	MBH	kW	MBH	kW	MBH	kW	MBH	kW	
110	122	56.80	6.53	56.91	7.17	57.05	7.38	57.17	7.39	57.36	7.41	57.47	7.42
	125	48.85	5.94	48.95	6.52	49.06	6.72	49.17	6.73	49.33	6.74	49.42	6.75
	5	68.50	2.34	79.68	2.76	90.80	3.18	106.00	3.78	120.50	4.40	134.15	4.93
	14	68.50	2.38	79.68	2.81	90.80	3.25	106.00	3.86	120.50	4.49	134.15	5.03
	25	68.50	2.43	79.68	2.87	90.80	3.31	106.00	3.94	120.50	4.58	134.15	5.13
	30	68.50	2.49	79.68	2.93	90.80	3.39	106.00	4.03	120.50	4.69	132.00	5.10
	35	68.50	2.55	79.68	3.00	90.80	3.47	106.00	4.13	120.50	4.81	129.50	5.07
	40	68.50	2.60	79.68	3.07	90.80	3.55	106.00	4.22	120.50	4.92	127.00	5.03
	45	68.50	2.66	79.68	3.14	90.80	3.64	106.00	4.33	119.75	4.99	125.00	5.00
	50	68.50	2.72	79.68	3.22	90.80	3.73	106.00	4.45	119.00	5.05	123.00	4.96
	55	68.50	2.79	79.68	3.30	90.80	3.83	106.00	4.56	117.63	5.09	120.50	4.93
	60	68.50	2.87	79.68	3.39	90.80	3.93	106.00	4.69	115.75	5.13	118.50	5.06
	65	68.50	2.99	79.68	3.54	90.80	4.11	106.00	5.01	112.38	5.43	115.75	5.65
	70	68.50	3.02	79.68	3.63	90.80	4.34	106.00	5.41	111.50	5.74	114.00	5.79
	75	68.50	3.22	79.68	3.96	90.80	4.77	106.00	5.96	109.50	6.10	112.00	6.16
	80	68.50	3.53	79.68	4.35	90.80	5.24	104.50	6.40	107.00	6.47	109.75	6.52
	85	68.50	3.85	79.68	4.76	90.80	5.74	102.00	6.77	104.75	6.83	108.00	6.90
	90	68.50	4.20	79.68	5.19	90.80	6.27	99.88	7.13	102.88	7.20	105.50	7.28
	95	68.50	4.57	79.68	5.67	90.80	6.85	97.80	7.49	100.45	7.58	103.00	7.65
	100	68.50	4.98	79.68	6.19	90.17	7.40	95.65	7.86	98.23	7.94	99.93	7.99
	105	68.50	5.47	79.68	6.80	88.69	7.91	93.44	8.30	94.44	8.34	94.57	8.35
	110	68.50	6.09	79.68	7.58	87.20	8.57	89.10	8.81	89.20	8.82	89.20	8.82
	115	68.50	6.77	74.88	8.36	77.13	8.90	77.30	8.91	77.55	8.93	77.70	8.94
	118	66.05	6.91	66.18	7.83	66.34	8.11	66.48	8.12	66.69	8.14	66.82	8.15
	122	56.80	6.29	56.91	7.13	57.05	7.38	57.17	7.39	57.36	7.41	57.47	7.42
125	48.85	5.73	48.95	6.49	49.06	6.72	49.17	6.73	49.33	6.74	49.42	6.75	
100	5	62.30	2.12	72.43	2.48	82.54	2.86	96.00	3.39	109.50	3.94	123.00	4.51
	14	62.30	2.16	72.43	2.53	82.54	2.92	96.00	3.46	109.50	4.02	123.00	4.60
	25	62.30	2.20	72.43	2.58	82.54	2.98	96.00	3.53	109.50	4.11	123.00	4.69
	30	62.30	2.25	72.43	2.64	82.54	3.05	96.00	3.61	109.50	4.20	123.00	4.80
	35	62.30	2.30	72.43	2.70	82.54	3.12	96.00	3.70	109.50	4.31	123.00	4.92
	40	62.30	2.35	72.43	2.76	82.54	3.19	96.00	3.79	109.50	4.41	123.00	5.04
	45	62.30	2.41	72.43	2.83	82.54	3.27	96.00	3.88	109.50	4.52	122.00	5.08
	50	62.30	2.46	72.43	2.90	82.54	3.35	96.00	3.98	109.50	4.63	121.00	5.11
	55	62.30	2.52	72.43	2.97	82.54	3.44	96.00	4.08	109.50	4.76	118.50	5.09
	60	62.30	2.58	72.43	3.05	82.54	3.53	96.00	4.20	109.50	4.88	116.00	5.11
	65	62.30	2.70	72.43	3.18	82.54	3.68	96.00	4.38	109.13	5.23	112.75	5.46
	70	62.30	2.71	72.43	3.22	82.54	3.79	96.00	4.69	108.00	5.58	112.00	5.74
	75	62.30	2.85	72.43	3.48	82.54	4.16	96.00	5.17	107.00	6.03	110.00	6.11
	80	62.30	3.11	72.43	3.81	82.54	4.56	96.00	5.68	105.00	6.42	107.50	6.47
	85	62.30	3.40	72.43	4.16	82.54	4.99	96.00	6.22	102.75	6.79	105.50	6.84
	90	62.30	3.70	72.43	4.55	82.54	5.46	96.00	6.81	100.73	7.15	103.50	7.22
	95	62.30	4.02	72.43	4.95	82.54	5.95	96.00	7.46	98.55	7.51	101.00	7.59
	100	62.30	4.37	72.43	5.39	82.54	6.50	93.85	7.81	96.36	7.88	98.65	7.96
	105	62.30	4.79	72.43	5.93	82.54	7.15	91.64	8.25	93.85	8.32	94.57	8.35
	110	62.30	5.33	72.43	6.60	82.54	7.98	89.10	8.81	89.20	8.82	89.20	8.82
	115	62.30	5.91	72.43	7.34	76.73	8.54	77.30	8.91	77.55	8.93	77.70	8.94
	118	62.30	6.27	63.74	6.85	66.34	7.83	66.48	8.12	66.69	8.14	66.82	8.15
	122	53.58	5.71	54.81	6.23	57.05	7.12	57.17	7.39	57.36	7.41	57.47	7.42
	125	46.08	5.19	47.14	5.67	49.06	6.48	49.17	6.73	49.33	6.74	49.42	6.75
	90	5	56.10	1.90	65.18	2.22	74.27	2.55	86.40	3.01	98.75	3.49	111.00
14		56.10	1.94	65.18	2.26	74.27	2.60	86.40	3.07	98.75	3.56	111.00	4.07
25		56.10	1.98	65.18	2.31	74.27	2.65	86.40	3.14	98.75	3.63	111.00	4.15
30		56.10	2.03	65.18	2.36	74.27	2.71	86.40	3.20	98.75	3.72	111.00	4.25
35		56.10	2.07	65.18	2.41	74.27	2.78	86.40	3.28	98.75	3.81	111.00	4.36
40		56.10	2.11	65.18	2.46	74.27	2.84	86.40	3.36	98.75	3.90	111.00	4.47
45		56.10	2.16	65.18	2.53	74.27	2.91	86.40	3.44	98.75	4.01	111.00	4.58
50		56.10	2.21	65.18	2.59	74.27	2.98	86.40	3.52	98.75	4.11	111.00	4.69
55		56.10	2.26	65.18	2.65	74.27	3.05	86.40	3.62	98.75	4.21	111.00	4.82
60		56.10	2.31	65.18	2.71	74.27	3.13	86.40	3.72	98.75	4.32	111.00	4.95
65		56.10	2.40	65.18	2.82	74.27	3.27	86.40	3.88	98.75	4.54	111.00	5.35
70		56.10	2.43	65.18	2.86	74.27	3.30	86.40	4.03	98.75	4.88	110.00	5.70
75		56.10	2.49	65.18	3.02	74.27	3.59	86.40	4.44	98.75	5.37	107.00	6.07
80		56.10	2.72	65.18	3.31	74.27	3.94	86.40	4.86	98.75	5.90	105.50	6.42
85		56.10	2.97	65.18	3.61	74.27	4.31	86.40	5.33	98.50	6.44	103.00	6.79
90		56.10	3.23	65.18	3.94	74.27	4.70	86.40	5.82	97.43	6.93	100.50	7.16
95		56.10	3.50	65.18	4.29	74.27	5.12	86.40	6.36	96.25	7.43	98.70	7.52
100		56.10	3.81	65.18	4.66	74.27	5.58	86.40	6.95	94.31	7.82	96.58	7.89
105		56.10	4.17	65.18	5.11	74.27	6.13	86.40	7.64	92.14	8.26	94.10	8.33
110		56.10	4.63	65.18	5.69	74.27	6.84	86.40	8.54	89.20	8.82	89.20	8.82
115		56.10	5.12	65.18	6.32	74.20	8.17	77.30	8.91	77.55	8.93	77.70	8.94

Connected Capacity Ratio	Outdoor air temp.	Indoor air temp.											
		DB /WB		DB /WB		DB /WB		DB /WB		DB /WB		DB /WB	
		67°F	57°F	71°F	60°F	75°F	63°F	80°F	67°F	85°F	71°F	90°F	75°F
		Tc	PI	Tc	PI	Tc	PI	Tc	PI	Tc	PI	Tc	PI
°F DB	MBH	kW	MBH	kW	MBH	kW	MBH	kW	MBH	kW	MBH	kW	
80	118	56.10	5.43	63.74	6.55	64.56	7.54	66.48	8.12	66.69	8.14	66.82	8.15
	122	48.25	4.94	54.81	5.96	55.52	6.86	57.17	7.39	57.36	7.41	57.47	7.42
	125	41.49	4.50	47.14	5.42	47.75	6.24	49.17	6.73	49.33	6.74	49.42	6.75
	5	49.80	1.70	57.90	1.97	66.00	2.25	76.80	2.64	87.60	3.06	98.40	3.49
	14	49.80	1.74	57.90	2.01	66.00	2.30	76.80	2.70	87.60	3.12	98.40	3.56
	25	49.80	1.77	57.90	2.05	66.00	2.34	76.80	2.75	87.60	3.18	98.40	3.63
	30	49.80	1.80	57.90	2.09	66.00	2.39	76.80	2.82	87.60	3.25	98.40	3.72
	35	49.80	1.84	57.90	2.14	66.00	2.44	76.80	2.88	87.60	3.33	98.40	3.81
	40	49.80	1.88	57.90	2.19	66.00	2.50	76.80	2.95	87.60	3.41	98.40	3.90
	45	49.80	1.92	57.90	2.24	66.00	2.56	76.80	3.02	87.60	3.50	98.40	4.00
	50	49.80	1.96	57.90	2.28	66.00	2.62	76.80	3.09	87.60	3.58	98.40	4.09
	55	49.80	2.01	57.90	2.34	66.00	2.68	76.80	3.17	87.60	3.68	98.40	4.21
	60	49.80	2.05	57.90	2.39	66.00	2.75	76.80	3.25	87.60	3.78	98.40	4.32
	65	49.80	2.12	57.90	2.49	66.00	2.87	76.80	3.38	87.60	3.93	98.40	4.53
	70	49.80	2.15	57.90	2.52	66.00	2.90	76.80	3.43	87.60	4.11	98.40	4.86
75	49.80	2.21	57.90	2.62	66.00	3.07	76.80	3.76	87.60	4.52	98.40	5.36	
80	49.80	2.36	57.90	2.85	66.00	3.36	76.80	4.12	87.60	4.96	98.40	5.88	
85	49.80	2.57	57.90	3.10	66.00	3.67	76.80	4.51	87.60	5.44	98.40	6.45	
90	49.80	2.79	57.90	3.37	66.00	4.00	76.80	4.92	87.60	5.94	98.25	7.05	
95	49.80	3.03	57.90	3.67	66.00	4.35	76.80	5.36	87.60	6.49	96.40	7.45	
100	49.80	3.28	57.90	3.98	66.00	4.74	76.80	5.85	87.60	7.09	94.28	7.82	
105	49.80	3.59	57.90	4.36	66.00	5.20	76.80	6.43	87.57	7.80	92.14	8.26	
110	49.80	3.97	57.90	4.84	66.00	5.78	76.80	7.17	86.65	8.55	89.20	8.82	
115	49.80	4.40	57.90	5.38	66.00	6.42	76.80	7.98	77.55	8.93	77.70	8.94	
118	49.80	4.66	57.90	5.70	64.56	6.66	66.48	7.32	66.69	8.14	66.82	8.15	
122	42.83	4.24	49.80	5.18	55.52	6.06	57.17	6.66	57.36	7.41	57.47	7.42	
125	36.83	3.86	42.82	4.72	47.75	5.52	49.17	6.06	49.33	6.74	49.42	6.75	
70	5	43.60	1.51	50.65	1.73	57.73	1.96	67.20	2.30	76.65	2.64	86.10	2.99
	14	43.60	1.54	50.65	1.77	57.73	2.00	67.20	2.34	76.65	2.69	86.10	3.06
	25	43.60	1.57	50.65	1.80	57.73	2.04	67.20	2.39	76.65	2.75	86.10	3.12
	30	43.60	1.60	50.65	1.84	57.73	2.08	67.20	2.44	76.65	2.81	86.10	3.19
	35	43.60	1.63	50.65	1.87	57.73	2.13	67.20	2.49	76.65	2.87	86.10	3.27
	40	43.60	1.66	50.65	1.91	57.73	2.18	67.20	2.54	76.65	2.94	86.10	3.34
	45	43.60	1.70	50.65	1.95	57.73	2.23	67.20	2.60	76.65	3.01	86.10	3.43
	50	43.60	1.73	50.65	2.00	57.73	2.28	67.20	2.66	76.65	3.08	86.10	3.51
	55	43.60	1.76	50.65	2.04	57.73	2.33	67.20	2.74	76.65	3.16	86.10	3.61
	60	43.60	1.80	50.65	2.09	57.73	2.39	67.20	2.81	76.65	3.24	86.10	3.70
	65	43.60	1.88	50.65	2.17	57.73	2.48	67.20	2.92	76.65	3.38	86.10	3.85
	70	43.60	1.88	50.65	2.19	57.73	2.50	67.20	2.96	76.65	3.43	86.10	4.01
	75	43.60	1.93	50.65	2.25	57.73	2.60	67.20	3.14	76.65	3.75	86.10	4.41
	80	43.60	2.03	50.65	2.42	57.73	2.83	67.20	3.44	76.65	4.11	86.10	4.84
	85	43.60	2.21	50.65	2.63	57.73	3.09	67.20	3.75	76.65	4.49	86.10	5.30
90	43.60	2.39	50.65	2.86	57.73	3.35	67.20	4.09	76.65	4.90	86.10	5.79	
95	43.60	2.58	50.65	3.10	57.73	3.65	67.20	4.46	76.65	5.35	86.10	6.32	
100	43.60	2.80	50.65	3.36	57.73	3.96	67.20	4.84	76.65	5.83	86.10	6.91	
105	43.60	3.05	50.65	3.67	57.73	4.34	67.20	5.32	76.65	6.41	86.10	7.60	
110	43.60	3.37	50.65	4.07	57.73	4.82	67.20	5.91	76.65	7.15	86.10	8.49	
115	43.60	3.73	50.65	4.51	57.73	5.34	67.20	6.57	75.95	8.26	77.70	8.94	
118	43.60	3.95	50.65	4.78	57.73	5.66	60.48	6.27	66.69	7.69	66.82	8.15	
122	37.50	3.60	43.56	4.35	49.65	5.15	52.01	5.71	57.36	7.00	57.47	7.42	
125	32.25	3.27	37.46	3.96	42.70	4.69	44.73	5.19	49.33	6.37	49.42	6.75	
60	5	37.40	1.32	43.48	1.51	49.50	1.69	57.60	1.96	65.70	2.24	73.80	2.53
	14	37.40	1.35	43.48	1.54	49.50	1.73	57.60	2.00	65.70	2.28	73.80	2.58
	25	37.40	1.38	43.48	1.57	49.50	1.76	57.60	2.04	65.70	2.33	73.80	2.64
	30	37.40	1.41	43.48	1.60	49.50	1.80	57.60	2.08	65.70	2.37	73.80	2.69
	35	37.40	1.43	43.48	1.63	49.50	1.83	57.60	2.12	65.70	2.43	73.80	2.75
	40	37.40	1.45	43.48	1.65	49.50	1.87	57.60	2.17	65.70	2.48	73.80	2.82
	45	37.40	1.48	43.48	1.69	49.50	1.91	57.60	2.22	65.70	2.54	73.80	2.89
	50	37.40	1.51	43.48	1.72	49.50	1.95	57.60	2.27	65.70	2.61	73.80	2.96
	55	37.40	1.54	43.48	1.76	49.50	1.99	57.60	2.32	65.70	2.67	73.80	3.03
	60	37.40	1.57	43.48	1.80	49.50	2.04	57.60	2.37	65.70	2.73	73.80	3.11
	65	37.40	1.62	43.48	1.86	49.50	2.11	57.60	2.48	65.70	2.85	73.80	3.24
	70	37.40	1.63	43.48	1.88	49.50	2.14	57.60	2.50	65.70	2.88	73.80	3.28
	75	37.40	1.67	43.48	1.93	49.50	2.19	57.60	2.58	65.70	3.05	73.80	3.55
	80	37.40	1.73	43.48	2.03	49.50	2.35	57.60	2.82	65.70	3.34	73.80	3.90
	85	37.40	1.87	43.48	2.20	49.50	2.55	57.60	3.07	65.70	3.64	73.80	4.26
90	37.40	2.02	43.48	2.38	49.50	2.77	57.60	3.34	65.70	3.97	73.80	4.65	
95	37.40	2.18	43.48	2.58	49.50	3.00	57.60	3.63	65.70	4.32	73.80	5.06	
100	37.40	2.35	43.48	2.79	49.50	3.26	57.60	3.94	65.70	4.70	73.80	5.52	
105	37.40	2.56	43.48	3.05	49.50	3.56	57.60	4.32	65.70	5.16	73.80	6.07	
110	37.40	2.83	43.48	3.36	49.50	3.94	57.60	4.79	65.70	5.74	73.80	6.76	

Connected Capacity Ratio	Outdoor air temp.	Indoor air temp.											
		DB /WB		DB /WB		DB /WB		DB /WB		DB /WB		DB /WB	
		67°F	57°F	71°F	60°F	75°F	63°F	80°F	67°F	85°F	71°F	90°F	75°F
		Tc	PI	Tc	PI	Tc	PI	Tc	PI	Tc	PI	Tc	PI
°F DB	MBH	kW	MBH	kW	MBH	kW	MBH	kW	MBH	kW	MBH	kW	
50	115	37.40	3.11	43.48	3.72	49.50	4.37	57.60	5.32	65.70	6.37	73.80	7.52
	118	37.40	3.30	43.48	3.94	49.50	4.63	57.60	5.64	60.45	6.21	66.82	7.22
	122	32.16	3.00	37.39	3.59	42.57	4.21	49.54	5.13	51.98	5.65	57.47	6.57
	125	27.66	2.73	32.15	3.26	36.61	3.83	42.60	4.67	44.71	5.14	49.42	5.98
	5	31.20	1.14	36.30	1.28	41.27	1.42	48.00	1.62	54.75	1.83	61.50	2.07
	14	31.20	1.16	36.30	1.31	41.27	1.45	48.00	1.66	54.75	1.87	61.50	2.11
	25	31.20	1.19	36.30	1.34	41.27	1.48	48.00	1.69	54.75	1.91	61.50	2.15
	30	31.20	1.22	36.30	1.36	41.27	1.51	48.00	1.71	54.75	1.94	61.50	2.20
	35	31.20	1.23	36.30	1.38	41.27	1.54	48.00	1.75	54.75	1.99	61.50	2.24
	40	31.20	1.24	36.30	1.40	41.27	1.56	48.00	1.79	54.75	2.03	61.50	2.29
	45	31.20	1.26	36.30	1.42	41.27	1.59	48.00	1.83	54.75	2.08	61.50	2.34
	50	31.20	1.29	36.30	1.45	41.27	1.62	48.00	1.87	54.75	2.13	61.50	2.40
	55	31.20	1.31	36.30	1.48	41.27	1.66	48.00	1.90	54.75	2.17	61.50	2.46
	60	31.20	1.34	36.30	1.51	41.27	1.69	48.00	1.94	54.75	2.23	61.50	2.52
	65	31.20	1.36	36.30	1.55	41.27	1.74	48.00	2.03	54.75	2.33	61.50	2.63
	70	31.20	1.38	36.30	1.57	41.27	1.78	48.00	2.05	54.75	2.33	61.50	2.55
	75	31.20	1.41	36.30	1.61	41.27	1.78	48.00	2.03	54.75	2.34	61.50	2.70
	80	31.20	1.43	36.30	1.64	41.27	1.87	48.00	2.20	54.75	2.56	61.50	2.96
	85	31.20	1.53	36.30	1.77	41.27	2.02	48.00	2.40	54.75	2.79	61.50	3.22
	90	31.20	1.64	36.30	1.91	41.27	2.19	48.00	2.59	54.75	3.03	61.50	3.50
95	31.20	1.77	36.30	2.06	41.27	2.36	48.00	2.80	54.75	3.29	61.50	3.81	
100	31.20	1.91	36.30	2.22	41.27	2.55	48.00	3.05	54.75	3.56	61.50	4.14	
105	31.20	2.08	36.30	2.42	41.27	2.79	48.00	3.32	54.75	3.90	61.50	4.54	
110	31.20	2.28	36.30	2.66	41.27	3.07	48.00	3.67	54.75	4.33	61.50	5.02	
115	31.20	2.49	36.30	2.92	41.27	3.39	48.00	4.06	54.75	4.48	61.50	6.11	
118	31.20	2.64	36.30	3.10	41.27	3.59	48.00	4.30	54.75	4.75	61.50	6.47	
122	26.83	2.40	31.22	2.82	35.49	3.27	41.28	3.92	47.09	4.32	52.89	5.89	
125	23.08	2.19	26.85	2.57	30.52	2.97	35.50	3.56	40.49	3.93	45.49	5.36	

Table 51 - 38VMA120HDS5-1, 38VMA120HDS6-1

Connected Capacity Ratio	Outdoor air temp.	Indoor air temp.											
		DB /WB		DB /WB		DB /WB		DB /WB		DB /WB		DB /WB	
		67°F	57°F	71°F	60°F	75°F	63°F	80°F	67°F	85°F	71°F	90°F	75°F
		Tc	PI	Tc	PI	Tc	PI	Tc	PI	Tc	PI	Tc	PI
°F DB	MBH	kW	MBH	kW	MBH	kW	MBH	kW	MBH	kW	MBH	kW	
135	5	101.00	3.55	117.50	4.20	134.33	4.88	156.00	5.81	168.85	6.15	172.85	5.90
	14	101.00	3.62	117.50	4.29	134.33	4.98	156.00	5.93	168.85	6.28	172.85	6.02
	25	101.00	3.69	117.50	4.38	134.33	5.08	156.00	6.05	168.85	6.40	172.85	6.15
	30	101.00	3.78	117.50	4.48	134.33	5.20	156.00	6.20	166.00	6.36	170.00	6.10
	35	101.00	3.87	117.50	4.59	134.33	5.33	156.00	6.35	163.50	6.32	167.50	6.05
	40	101.00	3.96	117.50	4.70	134.33	5.46	156.00	6.50	161.00	6.27	165.00	6.00
	45	101.00	4.06	117.50	4.82	134.33	5.60	153.50	6.48	158.00	6.22	162.00	5.94
	50	101.00	4.15	117.50	4.94	134.33	5.74	151.00	6.46	155.00	6.17	159.00	5.89
	55	101.00	4.26	117.50	5.07	134.33	5.89	148.50	6.41	152.50	6.16	156.50	6.04
	60	101.00	4.38	117.50	5.21	134.33	6.05	146.00	6.47	150.00	6.44	154.00	6.51
	65	101.00	4.56	117.50	5.46	133.83	6.49	141.25	6.96	146.00	7.18	150.00	7.26
	70	101.00	4.67	117.50	5.80	132.33	6.88	140.00	7.29	144.00	7.37	148.00	7.45
	75	101.00	5.12	117.50	6.38	131.00	7.39	138.00	7.75	142.00	7.84	146.00	7.92
	80	101.00	5.62	117.50	7.01	128.66	7.92	134.50	8.21	138.87	8.31	143.25	8.40
	85	101.00	6.16	117.50	7.69	127.00	8.47	132.00	8.68	136.00	8.79	140.00	8.89
	90	101.00	6.72	117.50	8.38	125.33	9.03	129.50	9.15	133.50	9.26	137.50	9.36
	95	101.00	7.33	116.00	8.92	123.00	9.51	127.00	9.63	130.50	9.74	131.00	9.77
	100	101.00	8.00	113.37	9.44	119.50	9.99	124.00	10.09	124.75	10.10	124.75	10.10
	105	101.00	8.80	111.75	10.07	116.89	10.56	118.33	10.59	118.33	10.59	118.33	10.59
	110	101.00	9.82	108.50	10.80	111.00	11.13	111.00	11.13	111.00	11.13	112.00	11.13
115	96.00	11.23	96.15	11.23	96.33	11.30	96.60	11.33	96.90	11.33	97.20	11.33	
118	82.56	10.24	82.69	10.24	82.84	10.30	83.07	10.33	83.33	10.33	83.59	10.33	
122	71.00	9.32	71.11	9.32	71.25	9.37	71.44	9.40	71.67	9.40	71.89	9.40	
125	61.06	8.48	61.16	8.48	61.27	8.53	61.44	8.55	61.63	8.55	61.82	8.55	
120	5	93.40	3.25	108.85	3.84	124.00	4.45	144.00	5.30	162.92	6.10	169.85	6.08
	14	93.40	3.32	108.85	3.92	124.00	4.54	144.00	5.41	162.92	6.22	169.85	6.20
	25	93.40	3.39	108.85	4.00	124.00	4.63	144.00	5.52	162.92	6.35	169.85	6.33
	30	93.40	3.46	108.85	4.09	124.00	4.74	144.00	5.64	161.50	6.40	167.00	6.29
	35	93.40	3.54	108.85	4.19	124.00	4.86	144.00	5.79	159.75	6.42	164.50	6.24
	40	93.40	3.62	108.85	4.29	124.00	4.98	144.00	5.93	158.00	6.44	162.00	6.19
	45	93.40	3.71	108.85	4.40	124.00	5.10	144.00	6.08	155.50	6.40	159.00	6.14
	50	93.40	3.80	108.85	4.51	124.00	5.23	144.00	6.24	153.00	6.35	156.00	6.09
	55	93.40	3.90	108.85	4.63	124.00	5.37	144.00	6.40	149.87	6.30	153.50	6.10
	60	93.40	4.00	108.85	4.75	124.00	5.52	143.00	6.51	147.00	6.43	151.00	6.46
65	93.40	4.17	108.85	4.96	124.00	5.83	139.00	6.80	143.00	7.09	147.00	7.20	
70	93.40	4.22	108.85	5.18	124.00	6.24	138.00	7.25	142.00	7.32	146.00	7.39	

Connected Capacity Ratio	Outdoor air temp.	Indoor air temp.											
		DB /WB		DB /WB		DB /WB		DB /WB		DB /WB		DB /WB	
		67° F	57° F	71° F	60° F	75° F	63° F	80° F	67° F	85° F	71° F	90° F	75° F
		Tc	PI	Tc	PI	Tc	PI	Tc	PI	Tc	PI	Tc	PI
°F DB	MBH	kW	MBH	kW	MBH	kW	MBH	kW	MBH	kW	MBH	kW	
110	75	93.40	4.59	108.85	5.68	124.00	6.87	135.00	7.71	139.00	7.78	143.00	7.86
	80	93.40	5.03	108.85	6.24	123.83	7.53	132.50	8.16	136.50	8.25	140.50	8.34
	85	93.40	5.50	108.85	6.83	122.66	8.13	130.00	8.63	134.00	8.72	137.50	8.81
	90	93.40	6.00	108.85	7.47	121.00	8.67	127.50	9.09	130.75	9.19	134.50	9.30
	95	93.40	6.54	108.85	8.15	119.33	9.22	124.00	9.61	128.00	9.69	131.00	9.77
	100	93.40	7.13	108.85	8.91	117.00	9.80	121.50	10.03	124.37	10.10	124.75	10.10
	105	93.40	7.83	108.35	9.72	115.33	10.45	118.00	10.59	118.33	10.59	118.33	10.59
	110	93.40	8.73	106.60	10.53	111.00	11.13	111.00	11.13	111.00	11.13	112.00	11.13
	115	93.40	9.72	95.50	10.85	96.33	11.30	96.60	11.33	96.90	11.33	97.20	11.33
	118	82.56	9.10	82.69	9.96	82.84	10.30	83.07	10.33	83.33	10.33	83.59	10.33
	122	71.00	8.28	71.11	9.06	71.25	9.37	71.44	9.40	71.67	9.40	71.89	9.40
	125	61.06	7.54	61.16	8.25	61.27	8.53	61.44	8.55	61.63	8.55	61.82	8.55
	5	85.70	2.96	99.42	3.49	113.33	4.03	132.00	4.79	150.50	5.58	166.85	6.25
	14	85.70	3.02	99.42	3.56	113.33	4.12	132.00	4.89	150.50	5.69	166.85	6.38
	25	85.70	3.08	99.42	3.63	113.33	4.20	132.00	4.99	150.50	5.81	166.85	6.51
	30	85.70	3.15	99.42	3.71	113.33	4.29	132.00	5.10	150.50	5.95	164.00	6.47
	35	85.70	3.22	99.42	3.80	113.33	4.40	132.00	5.23	150.50	6.09	161.50	6.43
	40	85.70	3.30	99.42	3.89	113.33	4.51	132.00	5.35	150.50	6.24	159.00	6.39
	45	85.70	3.37	99.42	3.99	113.33	4.62	132.00	5.49	149.50	6.32	156.50	6.34
	50	85.70	3.45	99.42	4.08	113.33	4.73	132.00	5.63	148.50	6.40	154.00	6.29
	55	85.70	3.54	99.42	4.19	113.33	4.86	132.00	5.79	147.12	6.45	150.50	6.24
	60	85.70	3.63	99.42	4.30	113.33	4.99	132.00	5.94	144.75	6.50	148.00	6.41
	65	85.70	3.78	99.42	4.49	113.33	5.21	132.00	6.34	140.12	6.88	144.00	7.15
	70	85.70	3.83	99.42	4.60	113.33	5.50	132.00	6.85	139.00	7.27	143.00	7.34
	75	85.70	4.08	99.42	5.03	113.33	6.05	132.00	7.55	136.50	7.73	140.00	7.80
80	85.70	4.47	99.42	5.51	113.33	6.63	130.50	8.11	133.87	8.19	137.50	8.27	
85	85.70	4.88	99.42	6.03	113.33	7.27	128.00	8.58	131.00	8.66	135.00	8.74	
90	85.70	5.32	99.42	6.59	113.33	7.95	124.75	9.03	128.50	9.13	131.75	9.22	
95	85.70	5.80	99.42	7.19	113.33	8.69	122.00	9.58	126.00	9.64	129.00	9.70	
100	85.70	6.31	99.42	7.84	112.33	9.37	119.50	9.96	122.87	10.06	124.75	10.10	
105	85.70	6.92	99.42	8.62	110.89	10.04	116.66	10.49	118.33	10.59	118.33	10.59	
110	85.70	7.71	99.42	9.60	108.66	10.83	111.00	11.13	111.00	11.13	112.00	11.13	
115	85.70	8.57	93.57	10.57	96.33	11.30	96.60	11.33	96.90	11.33	97.20	11.33	
118	82.56	8.75	82.69	9.90	82.84	10.30	83.07	10.33	83.33	10.33	83.59	10.33	
122	71.00	7.97	71.11	9.01	71.25	9.37	71.44	9.40	71.67	9.40	71.89	9.40	
125	61.06	7.25	61.16	8.19	61.27	8.53	61.44	8.55	61.63	8.55	61.82	8.55	
5	77.90	2.69	90.50	3.15	102.90	3.63	120.00	4.29	137.00	5.00	154.00	5.71	
14	77.90	2.74	90.50	3.21	102.90	3.70	120.00	4.38	137.00	5.10	154.00	5.83	
25	77.90	2.80	90.50	3.28	102.90	3.78	120.00	4.47	137.00	5.20	154.00	5.95	
30	77.90	2.86	90.50	3.35	102.90	3.86	120.00	4.57	137.00	5.32	154.00	6.09	
35	77.90	2.92	90.50	3.43	102.90	3.95	120.00	4.69	137.00	5.45	154.00	6.24	
40	77.90	2.98	90.50	3.50	102.90	4.05	120.00	4.80	137.00	5.58	154.00	6.39	
45	77.90	3.05	90.50	3.59	102.90	4.15	120.00	4.92	137.00	5.73	152.50	6.44	
50	77.90	3.12	90.50	3.67	102.90	4.25	120.00	5.04	137.00	5.88	151.00	6.49	
55	77.90	3.19	90.50	3.76	102.90	4.36	120.00	5.18	137.00	6.03	148.25	6.44	
60	77.90	3.27	90.50	3.86	102.90	4.47	120.00	5.32	137.00	6.19	145.00	6.48	
65	77.90	3.41	90.50	4.02	102.90	4.66	120.00	5.55	136.62	6.64	141.00	6.92	
70	77.90	3.45	90.50	4.07	102.90	4.81	120.00	5.95	135.00	7.07	140.00	7.28	
75	77.90	3.61	90.50	4.41	102.90	5.27	120.00	6.55	134.00	7.64	137.00	7.74	
80	77.90	3.94	90.50	4.83	102.90	5.78	120.00	7.19	131.37	8.14	134.50	8.20	
85	77.90	4.30	90.50	5.28	102.90	6.33	120.00	7.89	128.50	8.60	132.00	8.67	
90	77.90	4.68	90.50	5.76	102.90	6.92	120.00	8.63	126.00	9.06	128.75	9.14	
95	77.90	5.09	90.50	6.27	102.90	7.55	120.00	9.55	123.00	9.58	126.00	9.62	
100	77.90	5.54	90.50	6.83	102.90	8.24	117.50	9.89	120.50	9.99	123.25	10.08	
105	77.90	6.08	90.50	7.51	102.90	9.07	114.66	10.46	117.33	10.54	118.33	10.59	
110	77.90	6.76	90.50	8.37	102.90	10.12	111.00	11.13	111.00	11.13	112.00	11.13	
115	77.90	7.50	90.50	9.31	95.83	10.86	96.60	11.33	96.90	11.33	97.20	11.33	
118	77.90	7.95	79.64	8.69	82.84	9.95	83.07	10.33	83.33	10.33	83.59	10.33	
122	66.99	7.23	68.49	7.90	71.25	9.05	71.44	9.40	71.67	9.40	71.89	9.40	
125	57.61	6.58	58.90	7.19	61.27	8.24	61.44	8.55	61.63	8.55	61.82	8.55	
5	70.10	2.42	81.42	2.82	92.80	3.23	108.00	3.81	123.00	4.42	138.00	5.06	
14	70.10	2.47	81.42	2.88	92.80	3.30	108.00	3.89	123.00	4.51	138.00	5.16	
25	70.10	2.52	81.42	2.93	92.80	3.36	108.00	3.97	123.00	4.61	138.00	5.27	
30	70.10	2.57	81.42	3.00	92.80	3.44	108.00	4.06	123.00	4.72	138.00	5.39	
35	70.10	2.62	81.42	3.06	92.80	3.52	108.00	4.16	123.00	4.83	138.00	5.52	
40	70.10	2.68	81.42	3.13	92.80	3.60	108.00	4.26	123.00	4.95	138.00	5.65	
45	70.10	2.74	81.42	3.20	92.80	3.69	108.00	4.37	123.00	5.07	138.00	5.80	
50	70.10	2.80	81.42	3.28	92.80	3.77	108.00	4.47	123.00	5.20	138.00	5.95	
55	70.10	2.86	81.42	3.35	92.80	3.87	108.00	4.59	123.00	5.34	138.00	6.11	
60	70.10	2.93	81.42	3.44	92.80	3.97	108.00	4.71	123.00	5.48	138.00	6.27	
65	70.10	3.05	81.42	3.58	92.80	4.13	108.00	4.91	123.00	5.76	138.00	6.77	

Connected Capacity Ratio	Outdoor air temp.	Indoor air temp.											
		DB /WB		DB /WB		DB /WB		DB /WB		DB /WB		DB /WB	
		67° F	57° F	71° F	60° F	75° F	63° F	80° F	67° F	85° F	71° F	90° F	75° F
		Tc	PI	Tc	PI	Tc	PI	Tc	PI	Tc	PI	Tc	PI
°F DB	MBH	kW	MBH	kW	MBH	kW	MBH	kW	MBH	kW	MBH	kW	
80	70	70.10	3.08	81.42	3.63	92.80	4.19	108.00	5.11	123.00	6.19	137.00	7.23
	75	70.10	3.17	81.42	3.84	92.80	4.56	108.00	5.61	123.00	6.81	134.00	7.68
	80	70.10	3.45	81.42	4.19	92.80	4.99	108.00	6.17	123.00	7.48	131.50	8.14
	85	70.10	3.76	81.42	4.58	92.80	5.46	108.00	6.75	122.75	8.16	129.00	8.60
	90	70.10	4.09	81.42	4.99	92.80	5.95	108.00	7.38	121.37	8.79	126.50	9.07
	95	70.10	4.44	81.42	5.43	92.80	6.49	108.00	8.06	120.00	9.42	123.00	9.53
	100	70.10	4.82	81.42	5.91	92.80	7.08	108.00	8.80	118.00	9.91	120.50	10.01
	105	70.10	5.28	81.42	6.48	92.80	7.78	108.00	9.69	115.16	10.48	117.66	10.59
	110	70.10	5.87	81.42	7.21	92.80	8.66	108.00	10.83	111.00	11.13	112.00	11.13
	115	70.10	6.50	81.42	8.01	92.66	10.39	96.60	11.33	96.90	11.33	97.20	11.33
	118	70.10	6.89	79.64	8.30	80.62	9.58	83.07	10.33	83.33	10.33	83.59	10.33
	122	60.28	6.27	68.49	7.56	69.33	8.72	71.44	9.40	71.67	9.40	71.89	9.40
	125	51.84	5.70	58.90	6.88	59.62	7.93	61.44	8.55	61.63	8.55	61.82	8.55
	5	62.30	2.16	72.42	2.50	82.53	2.85	96.00	3.35	109.50	3.87	123.00	4.41
	14	62.30	2.21	72.42	2.55	82.53	2.91	96.00	3.42	109.50	3.95	123.00	4.50
25	62.30	2.25	72.42	2.60	82.53	2.97	96.00	3.49	109.50	4.03	123.00	4.59	
30	62.30	2.29	72.42	2.65	82.53	3.03	96.00	3.56	109.50	4.13	123.00	4.70	
35	62.30	2.34	72.42	2.71	82.53	3.10	96.00	3.64	109.50	4.22	123.00	4.82	
40	62.30	2.39	72.42	2.77	82.53	3.17	96.00	3.73	109.50	4.32	123.00	4.93	
45	62.30	2.44	72.42	2.83	82.53	3.24	96.00	3.82	109.50	4.43	123.00	5.06	
50	62.30	2.49	72.42	2.89	82.53	3.32	96.00	3.92	109.50	4.54	123.00	5.19	
55	62.30	2.54	72.42	2.96	82.53	3.40	96.00	4.01	109.50	4.66	123.00	5.33	
60	62.30	2.60	72.42	3.03	82.53	3.49	96.00	4.12	109.50	4.79	123.00	5.47	
65	62.30	2.70	72.42	3.16	82.53	3.64	96.00	4.29	109.50	5.00	123.00	5.74	
70	62.30	2.73	72.42	3.19	82.53	3.68	96.00	4.35	109.50	5.21	123.00	6.17	
75	62.30	2.80	72.42	3.32	82.53	3.90	96.00	4.76	109.50	5.73	123.00	6.79	
80	62.30	3.00	72.42	3.61	82.53	4.26	96.00	5.22	109.50	6.29	123.00	7.46	
85	62.30	3.26	72.42	3.93	82.53	4.65	96.00	5.71	109.50	6.89	123.00	8.18	
90	62.30	3.54	72.42	4.28	82.53	5.07	96.00	6.23	109.50	7.53	123.00	8.93	
95	62.30	3.84	72.42	4.64	82.53	5.51	96.00	6.80	109.50	8.23	121.00	9.45	
100	62.30	4.16	72.42	5.05	82.53	6.00	96.00	7.41	109.50	8.99	117.50	9.93	
105	62.30	4.54	72.42	5.53	82.53	6.59	96.00	8.15	109.50	9.88	115.33	10.49	
110	62.30	5.03	72.42	6.14	82.53	7.33	96.00	9.08	108.50	10.83	112.00	11.13	
115	62.30	5.57	72.42	6.81	82.53	8.14	96.00	10.13	96.90	11.33	97.20	11.33	
118	62.30	5.91	72.42	7.22	80.62	8.43	83.07	9.29	83.33	10.33	83.59	10.33	
122	53.58	5.38	62.28	6.57	69.33	7.67	71.44	8.45	71.67	9.40	71.89	9.40	
125	46.08	4.89	53.56	5.98	59.62	6.98	61.44	7.69	61.63	8.55	61.82	8.55	
70	5	54.50	1.91	63.35	2.19	72.23	2.49	84.00	2.90	95.75	3.34	108.00	3.80
	14	54.50	1.95	63.35	2.24	72.23	2.54	84.00	2.96	95.75	3.41	108.00	3.88
	25	54.50	1.99	63.35	2.28	72.23	2.59	84.00	3.02	95.75	3.48	108.00	3.95
	30	54.50	2.03	63.35	2.33	72.23	2.64	84.00	3.09	95.75	3.56	108.00	4.04
	35	54.50	2.07	63.35	2.38	72.23	2.70	84.00	3.16	95.75	3.64	108.00	4.14
	40	54.50	2.11	63.35	2.43	72.23	2.76	84.00	3.23	95.75	3.72	108.00	4.24
	45	54.50	2.15	63.35	2.48	72.23	2.82	84.00	3.30	95.75	3.81	108.00	4.35
	50	54.50	2.19	63.35	2.53	72.23	2.89	84.00	3.38	95.75	3.91	108.00	4.45
	55	54.50	2.24	63.35	2.58	72.23	2.95	84.00	3.47	95.75	4.01	108.00	4.57
	60	54.50	2.29	63.35	2.65	72.23	3.02	84.00	3.55	95.75	4.11	108.00	4.69
	65	54.50	2.37	63.35	2.75	72.23	3.14	84.00	3.70	95.75	4.29	108.00	4.89
	70	54.50	2.39	63.35	2.78	72.23	3.18	84.00	3.74	95.75	4.35	108.00	5.08
	75	54.50	2.45	63.35	2.84	72.23	3.29	84.00	3.98	95.75	4.75	108.00	5.58
	80	54.50	2.57	63.35	3.06	72.23	3.59	84.00	4.36	95.75	5.21	108.00	6.13
	85	54.50	2.80	63.35	3.33	72.23	3.91	84.00	4.76	95.75	5.69	108.00	6.72
90	54.50	3.03	63.35	3.62	72.23	4.26	84.00	5.19	95.75	6.21	108.00	7.34	
95	54.50	3.28	63.35	3.93	72.23	4.62	84.00	5.64	95.75	6.78	108.00	8.01	
100	54.50	3.54	63.35	4.26	72.23	5.02	84.00	6.14	95.75	7.39	108.00	8.75	
105	54.50	3.86	63.35	4.65	72.23	5.50	84.00	6.74	95.75	8.13	108.00	9.64	
110	54.50	4.28	63.35	5.16	72.23	6.11	84.00	7.50	95.75	9.06	108.00	10.73	
115	54.50	4.72	63.35	5.71	72.23	6.77	84.00	8.33	94.90	10.48	97.20	11.33	
118	54.50	5.01	63.35	6.05	72.23	7.18	75.60	7.95	83.33	9.75	83.59	10.33	
122	46.87	4.56	54.48	5.51	62.12	6.53	65.01	7.23	71.67	8.87	71.89	9.40	
125	40.31	4.15	46.85	5.01	53.42	5.94	55.91	6.58	61.63	8.08	61.82	8.55	
60	5	46.70	1.68	54.27	1.91	61.87	2.15	72.00	2.48	82.10	2.84	92.20	3.21
	14	46.70	1.71	54.27	1.95	61.87	2.19	72.00	2.53	82.10	2.89	92.20	3.27
	25	46.70	1.75	54.27	1.99	61.87	2.24	72.00	2.59	82.10	2.95	92.20	3.34
	30	46.70	1.77	54.27	2.02	61.87	2.28	72.00	2.64	82.10	3.01	92.20	3.41
	35	46.70	1.81	54.27	2.06	61.87	2.32	72.00	2.69	82.10	3.08	92.20	3.49
	40	46.70	1.84	54.27	2.10	61.87	2.37	72.00	2.75	82.10	3.15	92.20	3.57
	45	46.70	1.88	54.27	2.14	61.87	2.42	72.00	2.81	82.10	3.22	92.20	3.65
	50	46.70	1.91	54.27	2.19	61.87	2.47	72.00	2.88	82.10	3.30	92.20	3.74
	55	46.70	1.95	54.27	2.23	61.87	2.53	72.00	2.94	82.10	3.38	92.20	3.84
	60	46.70	1.99	54.27	2.28	61.87	2.59	72.00	3.01	82.10	3.47	92.20	3.94

Connected Capacity Ratio	Outdoor air temp.	Indoor air temp.											
		DB /WB		DB /WB		DB /WB		DB /WB		DB /WB		DB /WB	
		67° F	57° F	71° F	60° F	75° F	63° F	80° F	67° F	85° F	71° F	90° F	75° F
		Tc	PI	Tc	PI	Tc	PI	Tc	PI	Tc	PI	Tc	PI
°F DB	MBH	kW	MBH	kW	MBH	kW	MBH	kW	MBH	kW	MBH	kW	
50	65	46.70	2.05	54.27	2.36	61.87	2.68	72.00	3.13	82.10	3.61	92.20	4.11
	70	46.70	2.08	54.27	2.38	61.87	2.71	72.00	3.17	82.10	3.65	92.20	4.15
	75	46.70	2.12	54.27	2.44	61.87	2.78	72.00	3.27	82.10	3.87	92.20	4.51
	80	46.70	2.19	54.27	2.57	61.87	2.98	72.00	3.57	82.10	4.23	92.20	4.94
	85	46.70	2.37	54.27	2.79	61.87	3.24	72.00	3.89	82.10	4.61	92.20	5.40
	90	46.70	2.56	54.27	3.02	61.87	3.52	72.00	4.23	82.10	5.03	92.20	5.89
	95	46.70	2.77	54.27	3.27	61.87	3.81	72.00	4.60	82.10	5.47	92.20	6.42
	100	46.70	2.98	54.27	3.54	61.87	4.13	72.00	5.00	82.10	5.95	92.20	7.00
	105	46.70	3.25	54.27	3.86	61.87	4.51	72.00	5.47	82.10	6.54	92.20	7.69
	110	46.70	3.58	54.27	4.26	61.87	5.00	72.00	6.08	82.10	7.27	92.20	8.57
	115	46.70	3.94	54.27	4.71	61.87	5.53	72.00	6.74	82.10	8.08	92.20	9.53
	118	46.70	4.18	54.27	5.00	61.87	5.87	72.00	7.14	75.53	7.88	83.59	9.16
	122	40.16	3.80	46.68	4.55	53.20	5.34	61.92	6.50	64.96	7.17	71.89	8.34
	125	34.54	3.46	40.14	4.14	45.76	4.86	53.25	5.91	55.86	6.52	61.82	7.59
	5	38.90	1.44	45.20	1.63	51.50	1.81	60.00	2.06	68.45	2.33	76.40	2.61
	14	38.90	1.47	45.20	1.66	51.50	1.85	60.00	2.11	68.45	2.38	76.40	2.67
	25	38.90	1.50	45.20	1.69	51.50	1.88	60.00	2.15	68.45	2.43	76.40	2.72
	30	38.90	1.52	45.20	1.72	51.50	1.92	60.00	2.19	68.45	2.47	76.40	2.78
	35	38.90	1.55	45.20	1.75	51.50	1.95	60.00	2.23	68.45	2.52	76.40	2.84
	40	38.90	1.58	45.20	1.77	51.50	1.98	60.00	2.27	68.45	2.57	76.40	2.90
	45	38.90	1.61	45.20	1.81	51.50	2.01	60.00	2.32	68.45	2.63	76.40	2.96
	50	38.90	1.64	45.20	1.84	51.50	2.05	60.00	2.38	68.45	2.69	76.40	3.03
	55	38.90	1.65	45.20	1.88	51.50	2.11	60.00	2.42	68.45	2.76	76.40	3.11
	60	38.90	1.69	45.20	1.91	51.50	2.15	60.00	2.47	68.45	2.82	76.40	3.19
	65	38.90	1.73	45.20	1.97	51.50	2.22	60.00	2.55	68.45	2.94	76.40	3.32
70	38.90	1.76	45.20	1.99	51.50	2.23	60.00	2.60	68.45	2.96	76.40	3.22	
75	38.90	1.78	45.20	2.03	51.50	2.27	60.00	2.56	68.45	2.98	76.40	3.44	
80	38.90	1.81	45.20	2.07	51.50	2.37	60.00	2.78	68.45	3.24	76.40	3.75	
85	38.90	1.95	45.20	2.25	51.50	2.57	60.00	3.02	68.45	3.54	76.40	4.08	
90	38.90	2.09	45.20	2.43	51.50	2.78	60.00	3.28	68.45	3.84	76.40	4.44	
95	38.90	2.26	45.20	2.62	51.50	3.00	60.00	3.56	68.45	4.17	76.40	4.82	
100	38.90	2.42	45.20	2.81	51.50	3.24	60.00	3.85	68.45	4.52	76.40	5.25	
105	38.90	2.63	45.20	3.06	51.50	3.52	60.00	4.20	68.45	4.94	76.40	5.74	
110	38.90	2.88	45.20	3.37	51.50	3.89	60.00	4.65	68.45	5.48	76.40	6.42	
115	38.90	3.16	45.20	3.72	51.50	4.30	60.00	5.14	68.45	5.67	76.40	7.74	
118	38.90	3.35	45.20	3.95	51.50	4.56	60.00	5.45	68.45	6.02	76.40	8.20	
122	33.45	3.05	38.87	3.59	44.29	4.15	51.60	4.96	58.87	5.47	65.70	7.47	
125	28.77	2.77	33.43	3.27	38.09	3.77	44.37	4.51	50.62	4.98	56.50	6.79	

Table 52 - 38VMA144HDS5-1, 38VMA144HDS6-1

Connected Capacity Ratio	Outdoor air temp.	Indoor air temp.											
		DB /WB		DB /WB		DB /WB		DB /WB		DB /WB		DB /WB	
		67° F	57° F	71° F	60° F	75° F	63° F	80° F	67° F	85° F	71° F	90° F	75° F
		Tc	PI	Tc	PI	Tc	PI	Tc	PI	Tc	PI	Tc	PI
°F DB	MBH	kW	MBH	kW	MBH	kW	MBH	kW	MBH	kW	MBH	kW	
135	5	121.20	4.63	141.00	5.48	160.80	6.38	187.20	7.61	202.62	8.04	207.42	7.69
	14	121.20	4.73	141.00	5.59	160.80	6.51	187.20	7.76	202.62	8.21	207.42	7.85
	25	121.20	4.82	141.00	5.71	160.80	6.64	187.20	7.92	202.62	8.38	207.42	8.01
	30	121.20	4.93	141.00	5.85	160.80	6.80	187.20	8.08	199.20	8.34	204.00	7.97
	35	121.20	5.05	141.00	5.99	160.80	6.96	187.20	8.28	195.90	8.27	201.00	7.91
	40	121.20	5.17	141.00	6.12	160.80	7.12	187.20	8.48	192.60	8.19	198.00	7.86
	45	121.20	5.30	141.00	6.28	160.80	7.31	184.20	8.45	189.45	8.12	194.70	7.77
	50	121.20	5.43	141.00	6.44	160.80	7.50	181.20	8.42	186.30	8.05	191.40	7.69
	55	121.20	5.57	141.00	6.63	160.80	7.70	178.20	8.35	183.00	8.04	187.80	7.87
	60	121.20	5.71	141.00	6.79	160.80	7.90	174.90	8.45	179.85	8.41	184.80	8.51
	65	121.20	5.93	141.00	7.13	160.80	8.48	169.35	9.14	174.45	9.37	179.55	9.48
	70	121.20	6.10	141.00	7.59	158.80	8.99	168.60	9.49	173.40	9.64	178.20	9.72
	75	121.20	6.67	141.00	8.32	156.80	9.66	165.00	10.12	169.80	10.26	175.20	10.34
	80	121.20	7.36	141.00	9.14	154.70	10.34	161.85	10.74	166.80	10.84	171.60	10.98
	85	121.20	8.02	141.00	10.02	152.40	11.06	158.40	11.33	163.50	11.47	168.60	11.61
	90	121.20	8.77	141.00	10.95	150.40	11.79	155.40	11.97	160.20	12.11	165.15	12.25
	95	121.20	9.55	138.75	11.63	147.00	12.40	151.80	12.55	156.90	12.72	157.80	12.77
	100	121.20	10.47	136.38	12.33	143.95	13.03	148.20	13.17	149.70	13.21	149.70	13.21
	105	121.20	11.51	133.80	13.13	140.00	13.75	141.40	13.81	142.00	13.81	142.00	13.81
	110	121.20	12.83	130.65	14.14	133.80	14.58	133.80	14.58	133.80	14.58	133.80	14.58
	115	115.20	14.69	115.20	14.69	115.60	14.73	115.80	14.75	116.40	14.78	116.40	14.81
	118	99.07	13.39	99.07	13.39	99.41	13.43	99.59	13.45	100.10	13.47	100.10	13.50
	122	85.20	12.19	85.20	12.19	85.50	12.22	85.64	12.24	86.09	12.26	86.09	12.28
	125	73.27	11.09	73.27	11.09	73.53	11.12	73.65	11.13	74.04	11.16	74.04	11.18

Connected Capacity Ratio	Outdoor air temp.	Indoor air temp.											
		DB /WB		DB /WB		DB /WB		DB /WB		DB /WB		DB /WB	
		67° F	57° F	71° F	60° F	75° F	63° F	80° F	67° F	85° F	71° F	90° F	75° F
		Tc	PI	Tc	PI	Tc	PI	Tc	PI	Tc	PI	Tc	PI
°F DB	MBH	kW	MBH	kW	MBH	kW	MBH	kW	MBH	kW	MBH	kW	
120	5	112.20	4.25	130.20	5.02	148.60	5.82	172.80	6.90	195.81	7.97	204.00	7.95
	14	112.20	4.34	130.20	5.12	148.60	5.93	172.80	7.04	195.81	8.14	204.00	8.11
	25	112.20	4.42	130.20	5.23	148.60	6.06	172.80	7.19	195.81	8.30	204.00	8.28
	30	112.20	4.52	130.20	5.34	148.60	6.21	172.80	7.35	194.10	8.36	201.00	8.19
	35	112.20	4.63	130.20	5.47	148.60	6.34	172.80	7.54	191.85	8.38	197.70	8.14
	40	112.20	4.73	130.20	5.59	148.60	6.48	172.80	7.74	189.60	8.39	194.40	8.08
	45	112.20	4.85	130.20	5.75	148.60	6.67	172.80	7.94	186.30	8.34	191.10	8.02
	50	112.20	4.96	130.20	5.90	148.60	6.86	172.80	8.14	183.00	8.28	187.80	7.97
	55	112.20	5.09	130.20	6.04	148.60	7.01	172.80	8.35	180.00	8.22	184.65	7.98
	60	112.20	5.22	130.20	6.20	148.60	7.21	171.90	8.51	176.70	8.41	181.20	8.45
	65	112.20	5.44	130.20	6.48	148.60	7.62	167.40	8.92	171.15	9.23	176.40	9.42
	70	112.20	5.50	130.20	6.76	148.60	8.16	165.60	9.44	170.40	9.58	174.60	9.66
	75	112.20	5.99	130.20	7.43	148.60	8.97	162.60	10.06	166.80	10.14	171.60	10.29
	80	112.20	6.57	130.20	8.16	148.40	9.84	159.00	10.68	163.72	10.78	168.00	10.86
	85	112.20	7.21	130.20	8.92	147.00	10.62	156.00	11.27	160.35	11.39	165.00	11.50
	90	112.20	7.84	130.20	9.75	145.00	11.33	152.55	11.87	157.20	12.00	161.55	12.14
	95	112.20	8.53	130.20	10.65	142.60	12.04	149.40	12.49	153.90	12.63	157.80	12.77
	100	112.20	9.31	130.20	11.64	140.60	12.81	146.25	13.11	149.25	13.21	149.70	13.21
	105	112.20	10.23	129.90	12.72	138.20	13.66	141.20	13.79	142.00	13.81	142.00	13.81
	110	112.20	11.42	127.50	13.79	133.40	14.58	133.80	14.58	133.80	14.58	133.80	14.58
115	112.20	12.72	114.45	14.20	115.60	14.73	115.80	14.75	116.40	14.78	116.40	14.81	
118	99.07	11.90	99.07	13.03	99.41	13.43	99.59	13.45	100.10	13.47	100.10	13.50	
122	85.20	10.83	85.20	11.86	85.50	12.22	85.64	12.24	86.09	12.26	86.09	12.28	
125	73.27	9.86	73.27	10.79	73.53	11.12	73.65	11.13	74.04	11.16	74.04	11.18	
110	5	102.60	3.87	119.25	4.56	136.00	5.28	158.40	6.25	180.60	7.28	200.40	8.16
	14	102.60	3.95	119.25	4.65	136.00	5.39	158.40	6.38	180.60	7.43	200.40	8.33
	25	102.60	4.03	119.25	4.74	136.00	5.50	158.40	6.51	180.60	7.58	200.40	8.50
	30	102.60	4.11	119.25	4.85	136.00	5.62	158.40	6.67	180.60	7.74	197.40	8.42
	35	102.60	4.21	119.25	4.96	136.00	5.75	158.40	6.84	180.60	7.94	194.10	8.36
	40	102.60	4.30	119.25	5.08	136.00	5.88	158.40	7.01	180.60	8.14	190.80	8.31
	45	102.60	4.41	119.25	5.20	136.00	6.02	158.40	7.18	179.40	8.24	187.50	8.25
	50	102.60	4.51	119.25	5.33	136.00	6.16	158.40	7.35	178.20	8.34	184.20	8.19
	55	102.60	4.62	119.25	5.46	136.00	6.34	158.40	7.56	176.47	8.43	181.05	8.14
	60	102.60	4.74	119.25	5.61	136.00	6.51	158.40	7.77	173.55	8.49	177.60	8.36
	65	102.60	4.94	119.25	5.89	136.00	6.83	158.40	8.28	168.37	8.96	172.80	9.31
	70	102.60	5.00	119.25	6.00	136.00	7.16	158.40	8.93	167.10	9.49	171.00	9.61
	75	102.60	5.33	119.25	6.55	136.00	7.89	158.40	9.83	163.80	10.09	168.00	10.17
	80	102.60	5.82	119.25	7.20	136.00	8.66	156.60	10.58	160.72	10.71	164.85	10.81
	85	102.60	6.39	119.25	7.87	136.00	9.48	153.30	11.19	157.35	11.30	161.40	11.42
	90	102.60	6.95	119.25	8.60	136.00	10.38	150.00	11.80	154.20	11.94	158.40	12.02
	95	102.60	7.57	119.25	9.40	136.00	11.36	146.40	12.38	150.90	12.52	154.80	12.66
	100	102.60	8.22	119.25	10.21	135.20	12.23	143.40	13.01	147.37	13.15	149.70	13.21
	105	102.60	9.02	119.25	11.26	132.93	13.10	140.40	13.77	141.90	13.81	142.00	13.81
	110	102.60	10.06	119.25	12.56	130.80	14.18	133.80	14.58	133.80	14.58	133.80	14.58
115	102.60	11.19	112.05	13.82	115.60	14.73	115.80	14.75	116.40	14.78	116.40	14.81	
118	99.07	11.45	99.07	12.95	99.41	13.43	99.59	13.45	100.10	13.47	100.10	13.50	
122	85.20	10.42	85.20	11.78	85.50	12.22	85.64	12.24	86.09	12.26	86.09	12.28	
125	73.27	9.48	73.27	10.72	73.53	11.12	73.65	11.13	74.04	11.16	74.04	11.18	
100	5	93.60	3.51	108.45	4.11	123.80	4.73	144.00	5.60	164.10	6.52	184.20	7.46
	14	93.60	3.58	108.45	4.19	123.80	4.83	144.00	5.71	164.10	6.65	184.20	7.61
	25	93.60	3.65	108.45	4.28	123.80	4.93	144.00	5.83	164.10	6.79	184.20	7.77
	30	93.60	3.72	108.45	4.37	123.80	5.04	144.00	5.99	164.10	6.95	184.20	7.97
	35	93.60	3.81	108.45	4.47	123.80	5.16	144.00	6.13	164.10	7.12	184.20	8.17
	40	93.60	3.89	108.45	4.57	123.80	5.28	144.00	6.27	164.10	7.29	184.20	8.36
	45	93.60	3.98	108.45	4.68	123.80	5.42	144.00	6.44	164.10	7.49	182.40	8.42
	50	93.60	4.07	108.45	4.80	123.80	5.56	144.00	6.61	164.10	7.69	180.60	8.48
	55	93.60	4.17	108.45	4.92	123.80	5.70	144.00	6.77	164.10	7.90	177.60	8.41
	60	93.60	4.28	108.45	5.04	123.80	5.84	144.00	6.95	164.10	8.11	174.30	8.45
	65	93.60	4.45	108.45	5.26	123.80	6.09	144.00	7.22	163.42	8.66	168.75	9.04
	70	93.60	4.50	108.45	5.32	123.80	6.27	144.00	7.74	162.00	9.21	168.00	9.49
	75	93.60	4.71	108.45	5.76	123.80	6.89	144.00	8.53	160.50	10.00	164.40	10.12
	80	93.60	5.15	108.45	6.30	123.80	7.56	144.00	9.40	157.50	10.61	161.40	10.70
	85	93.60	5.62	108.45	6.89	123.80	8.26	144.00	10.31	154.35	11.22	158.10	11.33
	90	93.60	6.12	108.45	7.53	123.80	9.03	144.00	11.27	150.97	11.83	154.80	11.92
	95	93.60	6.67	108.45	8.19	123.80	9.87	144.00	12.32	147.90	12.46	151.80	12.55
	100	93.60	7.25	108.45	8.93	123.80	10.76	140.85	12.94	144.52	13.04	147.90	13.17
	105	93.60	7.93	108.45	9.82	123.80	11.85	137.40	13.66	140.90	13.78	142.00	13.81
	110	93.60	8.82	108.45	10.94	123.80	13.22	133.80	14.58	133.80	14.58	133.80	14.58
115	93.60	9.78	108.45	12.15	115.00	14.15	115.80	14.75	116.40	14.78	116.40	14.81	
118	93.60	10.36	95.43	11.33	99.41	12.96	99.59	13.45	100.10	13.47	100.10	13.50	

Connected Capacity Ratio	Outdoor air temp.	Indoor air temp.											
		DB /WB		DB /WB		DB /WB		DB /WB		DB /WB		DB /WB	
		67°F	57°F	71°F	60°F	75°F	63°F	80°F	67°F	85°F	71°F	90°F	75°F
		Tc	PI	Tc	PI	Tc	PI	Tc	PI	Tc	PI	Tc	PI
	°F DB	MBH	kW	MBH	kW	MBH	kW	MBH	kW	MBH	kW	MBH	kW
	122	80.49	9.43	82.07	10.31	85.50	11.80	85.64	12.24	86.09	12.26	86.09	12.28
	125	69.23	8.58	70.58	9.39	73.53	10.74	73.65	11.13	74.04	11.16	74.04	11.18
90	5	84.00	3.16	97.50	3.68	111.20	4.22	129.60	4.98	147.90	5.78	166.20	6.63
	14	84.00	3.22	97.50	3.75	111.20	4.30	129.60	5.08	147.90	5.90	166.20	6.76
	25	84.00	3.29	97.50	3.83	111.20	4.39	129.60	5.18	147.90	6.02	166.20	6.90
	30	84.00	3.35	97.50	3.91	111.20	4.49	129.60	5.30	147.90	6.16	166.20	7.06
	35	84.00	3.42	97.50	4.00	111.20	4.59	129.60	5.43	147.90	6.30	166.20	7.23
	40	84.00	3.49	97.50	4.09	111.20	4.70	129.60	5.56	147.90	6.44	166.20	7.40
	45	84.00	3.57	97.50	4.18	111.20	4.81	129.60	5.69	147.90	6.61	166.20	7.57
	50	84.00	3.65	97.50	4.28	111.20	4.93	129.60	5.82	147.90	6.78	166.20	7.74
	55	84.00	3.74	97.50	4.38	111.20	5.05	129.60	5.98	147.90	6.97	166.20	7.95
	60	84.00	3.82	97.50	4.49	111.20	5.19	129.60	6.16	147.90	7.16	166.20	8.17
	65	84.00	3.97	97.50	4.68	111.20	5.40	129.60	6.39	147.90	7.51	166.20	8.84
	70	84.00	4.02	97.50	4.73	111.20	5.46	129.60	6.67	147.90	8.05	164.40	9.44
	75	84.00	4.13	97.50	5.01	111.20	5.95	129.60	7.35	147.90	8.87	161.40	10.06
	80	84.00	4.51	97.50	5.48	111.20	6.50	129.60	8.05	147.90	9.76	157.80	10.64
	85	84.00	4.91	97.50	5.98	111.20	7.12	129.60	8.82	147.45	10.65	154.80	11.25
	90	84.00	5.34	97.50	6.51	111.20	7.78	129.60	9.66	146.10	11.46	151.35	11.85
	95	84.00	5.82	97.50	7.09	111.20	8.46	129.60	10.51	144.60	12.29	148.20	12.43
	100	84.00	6.32	97.50	7.70	111.20	9.24	129.60	11.50	141.30	12.93	145.05	13.07
105	84.00	6.91	97.50	8.45	111.20	10.15	129.60	12.66	138.30	13.69	141.20	13.79	
110	84.00	7.63	97.50	9.41	111.20	11.32	129.60	14.13	133.80	14.58	133.80	14.58	
115	84.00	8.48	97.50	10.47	111.20	13.54	115.80	14.75	116.40	14.78	116.40	14.81	
118	84.00	8.99	95.43	10.86	96.74	12.49	99.59	13.45	100.10	13.47	100.10	13.50	
122	72.24	8.18	82.07	9.88	83.20	11.37	85.64	12.24	86.09	12.26	86.09	12.28	
125	62.13	7.44	70.58	9.00	71.55	10.34	73.65	11.13	74.04	11.16	74.04	11.18	
80	5	75.00	2.82	87.15	3.26	99.20	3.72	115.20	4.37	131.40	5.06	147.60	5.76
	14	75.00	2.88	87.15	3.33	99.20	3.80	115.20	4.46	131.40	5.16	147.60	5.88
	25	75.00	2.94	87.15	3.40	99.20	3.88	115.20	4.55	131.40	5.26	147.60	6.00
	30	75.00	2.99	87.15	3.46	99.20	3.96	115.20	4.65	131.40	5.39	147.60	6.16
	35	75.00	3.05	87.15	3.54	99.20	4.05	115.20	4.76	131.40	5.51	147.60	6.30
	40	75.00	3.11	87.15	3.61	99.20	4.14	115.20	4.87	131.40	5.63	147.60	6.44
	45	75.00	3.18	87.15	3.70	99.20	4.24	115.20	4.99	131.40	5.78	147.60	6.61
	50	75.00	3.24	87.15	3.78	99.20	4.33	115.20	5.11	131.40	5.93	147.60	6.78
	55	75.00	3.32	87.15	3.87	99.20	4.44	115.20	5.24	131.40	6.08	147.60	6.94
	60	75.00	3.39	87.15	3.96	99.20	4.55	115.20	5.38	131.40	6.26	147.60	7.15
	65	75.00	3.52	87.15	4.12	99.20	4.74	115.20	5.61	131.40	6.52	147.60	7.53
	70	75.00	3.56	87.15	4.17	99.20	4.80	115.20	5.65	131.40	6.81	147.60	8.02
	75	75.00	3.65	87.15	4.33	99.20	5.09	115.20	6.22	131.40	7.49	147.60	8.87
	80	75.00	3.91	87.15	4.71	99.20	5.57	115.20	6.80	131.40	8.21	147.60	9.73
	85	75.00	4.26	87.15	5.13	99.20	6.07	115.20	7.46	131.40	9.00	147.60	10.68
	90	75.00	4.62	87.15	5.58	99.20	6.63	115.20	8.17	131.40	9.83	147.15	11.67
	95	75.00	5.01	87.15	6.09	99.20	7.20	115.20	8.87	131.40	10.74	144.60	12.32
	100	75.00	5.43	87.15	6.58	99.20	7.84	115.20	9.66	131.40	11.74	141.45	12.96
105	75.00	5.93	87.15	7.22	99.20	8.60	115.20	10.62	131.20	12.92	138.00	13.68	
110	75.00	6.56	87.15	8.00	99.20	9.57	115.20	11.87	129.90	14.13	133.80	14.58	
115	75.00	7.29	87.15	8.90	99.20	10.64	115.20	13.22	116.40	14.78	116.40	14.81	
118	75.00	7.73	87.15	9.43	96.74	11.00	99.59	12.12	100.10	13.47	100.10	13.50	
122	64.50	7.03	74.95	8.59	83.20	10.01	85.64	11.03	86.09	12.26	86.09	12.28	
125	55.47	6.40	64.45	7.81	71.55	9.11	73.65	10.03	74.04	11.16	74.04	11.18	
70	5	65.40	2.50	76.20	2.87	86.60	3.25	100.80	3.79	114.90	4.36	129.00	4.96
	14	65.40	2.55	76.20	2.93	86.60	3.32	100.80	3.87	114.90	4.45	129.00	5.06
	25	65.40	2.60	76.20	2.99	86.60	3.39	100.80	3.95	114.90	4.54	129.00	5.16
	30	65.40	2.65	76.20	3.04	86.60	3.45	100.80	4.03	114.90	4.64	129.00	5.28
	35	65.40	2.70	76.20	3.11	86.60	3.53	100.80	4.12	114.90	4.75	129.00	5.41
	40	65.40	2.75	76.20	3.17	86.60	3.60	100.80	4.22	114.90	4.86	129.00	5.53
	45	65.40	2.80	76.20	3.24	86.60	3.68	100.80	4.31	114.90	4.98	129.00	5.68
	50	65.40	2.86	76.20	3.30	86.60	3.77	100.80	4.41	114.90	5.10	129.00	5.82
	55	65.40	2.92	76.20	3.38	86.60	3.85	100.80	4.53	114.90	5.23	129.00	5.96
	60	65.40	2.98	76.20	3.46	86.60	3.95	100.80	4.64	114.90	5.37	129.00	6.13
	65	65.40	3.09	76.20	3.59	86.60	4.10	100.80	4.83	114.90	5.59	129.00	6.43
	70	65.40	3.12	76.20	3.62	86.60	4.15	100.80	4.89	114.90	5.67	129.00	6.61
	75	65.40	3.20	76.20	3.72	86.60	4.30	100.80	5.20	114.90	6.19	129.00	7.29
	80	65.40	3.36	76.20	4.00	86.60	4.69	100.80	5.69	114.90	6.79	129.00	8.01
	85	65.40	3.65	76.20	4.35	86.60	5.11	100.80	6.22	114.90	7.42	129.00	8.79
	90	65.40	3.96	76.20	4.73	86.60	5.55	100.80	6.78	114.90	8.11	129.00	9.61
	95	65.40	4.28	76.20	5.13	86.60	6.02	100.80	7.35	114.90	8.84	129.00	10.46
	100	65.40	4.63	76.20	5.55	86.60	6.55	100.80	8.00	114.90	9.64	129.00	11.44
105	65.40	5.05	76.20	6.08	86.60	7.19	100.80	8.80	114.90	10.61	129.00	12.56	
110	65.40	5.58	76.20	6.74	86.60	7.99	100.80	9.78	114.90	11.84	129.00	14.07	

Connected Capacity Ratio	Outdoor air temp.	Indoor air temp.											
		DB /WB		DB /WB		DB /WB		DB /WB		DB /WB		DB /WB	
		67° F	57° F	71° F	60° F	75° F	63° F	80° F	67° F	85° F	71° F	90° F	75° F
		Tc	PI	Tc	PI	Tc	PI	Tc	PI	Tc	PI	Tc	PI
°F DB	MBH	kW	MBH	kW	MBH	kW	MBH	kW	MBH	kW	MBH	kW	
60	115	65.40	6.16	76.20	7.47	86.60	8.85	100.80	10.91	114.00	13.68	116.40	14.81
	118	65.40	6.53	76.20	7.92	86.60	9.39	90.72	10.41	100.10	12.73	100.10	13.50
	122	56.24	5.94	65.53	7.21	74.47	8.54	78.02	9.47	86.09	11.58	86.09	12.28
	125	48.37	5.41	56.36	6.56	64.05	7.77	67.10	8.62	74.04	10.54	74.04	11.18
	5	56.04	2.20	65.31	2.49	74.40	2.80	86.40	3.24	98.40	3.70	110.40	4.19
	14	56.04	2.24	65.31	2.54	74.40	2.86	86.40	3.31	98.40	3.78	110.40	4.27
	25	56.04	2.29	65.31	2.60	74.40	2.92	86.40	3.37	98.40	3.86	110.40	4.36
	30	56.04	2.32	65.31	2.64	74.40	2.97	86.40	3.44	98.40	3.94	110.40	4.45
	35	56.04	2.36	65.31	2.69	74.40	3.03	86.40	3.52	98.40	4.03	110.40	4.56
	40	56.04	2.40	65.31	2.74	74.40	3.10	86.40	3.59	98.40	4.11	110.40	4.66
	45	56.04	2.45	65.31	2.80	74.40	3.16	86.40	3.67	98.40	4.21	110.40	4.78
	50	56.04	2.49	65.31	2.85	74.40	3.23	86.40	3.75	98.40	4.31	110.40	4.89
	55	56.04	2.54	65.31	2.91	74.40	3.30	86.40	3.84	98.40	4.42	110.40	5.02
	60	56.04	2.59	65.31	2.98	74.40	3.37	86.40	3.93	98.40	4.53	110.40	5.15
	65	56.04	2.68	65.31	3.08	74.40	3.50	86.40	4.09	98.40	4.71	110.40	5.36
70	56.04	2.71	65.31	3.11	74.40	3.54	86.40	4.14	98.40	4.77	110.40	5.43	
75	56.04	2.77	65.31	3.19	74.40	3.63	86.40	4.27	98.40	5.05	110.40	5.88	
80	56.04	2.86	65.31	3.36	74.40	3.89	86.40	4.67	98.40	5.52	110.40	6.44	
85	56.04	3.09	65.31	3.64	74.40	4.23	86.40	5.08	98.40	6.03	110.40	7.04	
90	56.04	3.34	65.31	3.95	74.40	4.59	86.40	5.53	98.40	6.56	110.40	7.67	
95	56.04	3.61	65.31	4.27	74.40	4.98	86.40	5.99	98.40	7.15	110.40	8.36	
100	56.04	3.90	65.31	4.62	74.40	5.39	86.40	6.54	98.40	7.79	110.40	9.14	
105	56.04	4.24	65.31	5.04	74.40	5.90	86.40	7.14	98.40	8.55	110.40	10.02	
110	56.04	4.67	65.31	5.58	74.40	6.52	86.40	7.91	98.40	9.49	110.40	11.19	
115	56.04	5.15	65.31	6.16	74.40	7.21	86.40	8.82	98.40	10.57	110.40	12.43	
118	56.04	5.46	65.31	6.53	74.40	7.65	86.40	9.35	90.53	10.31	100.10	11.95	
122	48.19	4.97	56.17	5.94	63.98	6.96	74.30	8.50	77.85	9.38	86.09	10.87	
125	41.45	4.52	48.30	5.41	55.03	6.33	63.90	7.74	66.95	8.53	74.04	9.90	
50	5	46.68	1.89	54.42	2.12	62.20	2.35	72.00	2.69	81.90	3.04	91.80	3.42
	14	46.68	1.93	54.42	2.16	62.20	2.40	72.00	2.74	81.90	3.11	91.80	3.49
	25	46.68	1.97	54.42	2.20	62.20	2.45	72.00	2.80	81.90	3.17	91.80	3.56
	30	46.68	1.99	54.42	2.24	62.20	2.49	72.00	2.85	81.90	3.23	91.80	3.63
	35	46.68	2.03	54.42	2.28	62.20	2.54	72.00	2.91	81.90	3.30	91.80	3.71
	40	46.68	2.06	54.42	2.32	62.20	2.59	72.00	2.96	81.90	3.37	91.80	3.79
	45	46.68	2.09	54.42	2.36	62.20	2.64	72.00	3.03	81.90	3.44	91.80	3.87
	50	46.68	2.12	54.42	2.40	62.20	2.68	72.00	3.09	81.90	3.52	91.80	3.96
	55	46.68	2.17	54.42	2.45	62.20	2.74	72.00	3.15	81.90	3.60	91.80	4.07
	60	46.68	2.20	54.42	2.49	62.20	2.80	72.00	3.23	81.90	3.68	91.80	4.16
	65	46.68	2.28	54.42	2.57	62.20	2.90	72.00	3.35	81.90	3.84	91.80	4.29
	70	46.68	2.29	54.42	2.60	62.20	2.93	72.00	3.39	81.90	3.86	91.80	4.24
	75	46.68	2.34	54.42	2.66	62.20	2.95	72.00	3.35	81.90	3.91	91.80	4.46
	80	46.68	2.37	54.42	2.71	62.20	3.09	72.00	3.65	81.90	4.25	91.80	4.87
	85	46.68	2.53	54.42	2.93	62.20	3.35	72.00	3.95	81.90	4.64	91.80	5.28
90	46.68	2.72	54.42	3.16	62.20	3.63	72.00	4.27	81.90	5.02	91.80	5.74	
95	46.68	2.94	54.42	3.42	62.20	3.94	72.00	4.63	81.90	5.45	91.80	6.27	
100	46.68	3.16	54.42	3.69	62.20	4.24	72.00	5.09	81.90	5.94	91.80	6.84	
105	46.68	3.42	54.42	4.00	62.20	4.61	72.00	5.48	81.90	6.50	91.80	7.48	
110	46.68	3.76	54.42	4.42	62.20	5.05	72.00	6.05	81.90	7.15	91.80	8.31	
115	46.68	4.14	54.42	4.85	62.20	5.58	72.00	6.73	81.90	7.46	91.80	10.06	
118	46.68	4.39	54.42	5.14	62.20	5.91	72.00	7.13	81.90	7.91	91.80	10.66	
122	40.14	3.99	46.80	4.68	53.49	5.38	61.92	6.49	70.43	7.20	78.95	9.70	
125	34.52	3.63	40.25	4.26	46.00	4.89	53.25	5.90	60.57	6.55	67.89	8.83	

b. Double Units

Table 53 - 38VMA168HDS5-1, 38VMA168HDS6-1

Connected Capacity Ratio	Outdoor air temp.	Indoor air temp.											
		DB /WB		DB /WB		DB /WB		DB /WB		DB /WB		DB /WB	
		67° F	57° F	71° F	60° F	75° F	63° F	80° F	67° F	85° F	71° F	90° F	75° F
		Tc	PI	Tc	PI	Tc	PI	Tc	PI	Tc	PI	Tc	PI
°F DB	MBH	kW	MBH	kW	MBH	kW	MBH	kW	MBH	kW	MBH	kW	
135	5	141.40	4.61	164.50	5.46	188.07	6.34	218.40	7.55	236.40	7.99	242.00	7.66
	14	141.40	4.70	164.50	5.57	188.07	6.47	218.40	7.70	236.40	8.15	242.00	7.82
	25	141.40	4.80	164.50	5.68	188.07	6.60	218.40	7.86	236.40	8.32	242.00	7.98
	30	141.40	4.91	164.50	5.82	188.07	6.75	218.40	8.05	232.40	8.26	238.00	7.92
	35	141.40	5.03	164.50	5.96	188.07	6.92	218.40	8.24	228.90	8.20	234.50	7.85
	40	141.40	5.14	164.50	6.10	188.07	7.09	218.40	8.44	225.40	8.14	231.00	7.78
	45	141.40	5.27	164.50	6.26	188.07	7.27	214.90	8.41	221.20	8.08	226.80	7.71
	50	141.40	5.39	164.50	6.41	188.07	7.46	211.40	8.38	217.00	8.01	222.60	7.64
	55	141.40	5.54	164.50	6.58	188.07	7.65	207.90	8.32	213.50	8.00	219.10	7.84
	60	141.40	5.68	164.50	6.76	188.07	7.86	204.40	8.40	210.00	8.36	215.60	8.45
	65	141.40	5.93	164.50	7.09	187.37	8.43	197.75	9.03	204.40	9.33	210.00	9.43
	70	141.40	6.07	164.50	7.53	185.27	8.93	196.00	9.46	201.60	9.57	207.20	9.67
	75	141.40	6.65	164.50	8.28	183.40	9.60	193.20	10.06	198.80	10.18	204.40	10.28
	80	141.40	7.30	164.50	9.10	180.13	10.28	188.30	10.67	194.43	10.79	200.55	10.91
	85	141.40	7.99	164.50	9.98	177.80	11.00	184.80	11.27	190.40	11.41	196.00	11.54
	90	141.40	8.73	164.50	10.88	175.47	11.72	181.30	11.88	186.90	12.03	192.50	12.16
	95	141.40	9.52	162.40	11.59	172.20	12.35	177.80	12.50	182.70	12.64	183.40	12.68
	100	141.40	10.39	158.73	12.26	167.30	12.97	173.60	13.10	174.65	13.12	174.65	13.12
	105	141.40	11.43	156.45	13.08	163.64	13.71	165.67	13.76	165.67	13.76	165.67	13.76
	110	141.40	12.74	151.90	14.02	155.40	14.45	155.40	14.45	155.40	14.45	156.80	14.45
115	134.40	14.58	134.61	14.58	134.87	14.67	135.24	14.71	135.66	14.71	136.08	14.71	
118	115.58	13.29	115.76	13.29	115.99	13.37	116.31	13.41	116.67	13.41	117.03	13.41	
122	99.40	12.10	99.56	12.10	99.75	12.17	100.02	12.20	100.33	12.20	100.64	12.20	
125	85.49	11.01	85.62	11.01	85.78	11.07	86.02	11.10	86.29	11.10	86.55	11.10	
120	5	130.76	4.22	152.39	4.99	173.60	5.78	201.60	6.88	228.10	7.92	237.80	7.89
	14	130.76	4.31	152.39	5.09	173.60	5.90	201.60	7.02	228.10	8.08	237.80	8.05
	25	130.76	4.40	152.39	5.20	173.60	6.02	201.60	7.16	228.10	8.24	237.80	8.22
	30	130.76	4.49	152.39	5.31	173.60	6.16	201.60	7.33	226.10	8.31	233.80	8.16
	35	130.76	4.60	152.39	5.44	173.60	6.31	201.60	7.51	223.65	8.34	230.30	8.10
	40	130.76	4.70	152.39	5.57	173.60	6.47	201.60	7.69	221.20	8.36	226.80	8.03
	45	130.76	4.82	152.39	5.71	173.60	6.63	201.60	7.90	217.70	8.31	222.60	7.97
	50	130.76	4.93	152.39	5.85	173.60	6.79	201.60	8.10	214.20	8.25	218.40	7.90
	55	130.76	5.06	152.39	6.01	173.60	6.98	201.60	8.31	209.83	8.19	214.90	7.92
	60	130.76	5.19	152.39	6.17	173.60	7.16	200.20	8.45	205.80	8.35	211.40	8.39
	65	130.76	5.41	152.39	6.44	173.60	7.56	194.60	8.83	200.20	9.20	205.80	9.35
	70	130.76	5.48	152.39	6.72	173.60	8.10	193.20	9.41	198.80	9.50	204.40	9.59
	75	130.76	5.96	152.39	7.38	173.60	8.92	189.00	10.01	194.60	10.10	200.20	10.21
	80	130.76	6.53	152.39	8.10	173.37	9.78	185.50	10.60	191.10	10.72	196.70	10.82
	85	130.76	7.14	152.39	8.87	171.73	10.56	182.00	11.20	187.60	11.32	192.50	11.44
	90	130.76	7.79	152.39	9.70	169.40	11.25	178.50	11.80	183.05	11.94	188.30	12.07
	95	130.76	8.49	152.39	10.59	167.07	11.97	173.60	12.48	179.20	12.58	183.40	12.68
	100	130.76	9.26	152.39	11.57	163.80	12.72	170.10	13.03	174.13	13.12	174.65	13.12
	105	130.76	10.17	151.69	12.63	161.47	13.56	165.20	13.76	165.67	13.76	165.67	13.76
	110	130.76	11.34	149.24	13.67	155.40	14.45	155.40	14.45	155.40	14.45	156.80	14.45
115	130.76	12.61	133.70	14.09	134.87	14.67	135.24	14.71	135.66	14.71	136.08	14.71	
118	115.58	11.82	115.76	12.93	115.99	13.37	116.31	13.41	116.67	13.41	117.03	13.41	
122	99.40	10.76	99.56	11.77	99.75	12.17	100.02	12.20	100.33	12.20	100.64	12.20	
125	85.49	9.79	85.62	10.71	85.78	11.07	86.02	11.10	86.29	11.10	86.55	11.10	
110	5	119.98	3.85	139.20	4.53	158.67	5.24	184.80	6.22	210.70	7.24	233.60	8.12
	14	119.98	3.92	139.20	4.62	158.67	5.34	184.80	6.35	210.70	7.39	233.60	8.28
	25	119.98	4.00	139.20	4.72	158.67	5.45	184.80	6.48	210.70	7.54	233.60	8.45
	30	119.98	4.09	139.20	4.82	158.67	5.58	184.80	6.63	210.70	7.72	229.60	8.40
	35	119.98	4.19	139.20	4.94	158.67	5.71	184.80	6.79	210.70	7.91	226.10	8.34
	40	119.98	4.28	139.20	5.05	158.67	5.85	184.80	6.95	210.70	8.10	222.60	8.29
	45	119.98	4.38	139.20	5.18	158.67	6.00	184.80	7.13	209.30	8.20	219.10	8.23
	50	119.98	4.48	139.20	5.30	158.67	6.14	184.80	7.32	207.90	8.31	215.60	8.16
	55	119.98	4.59	139.20	5.44	158.67	6.30	184.80	7.51	205.98	8.37	210.70	8.10
	60	119.98	4.71	139.20	5.58	158.67	6.47	184.80	7.71	202.65	8.44	207.20	8.33
	65	119.98	4.91	139.20	5.83	158.67	6.76	184.80	8.24	196.18	8.93	201.60	9.29
	70	119.98	4.97	139.20	5.98	158.67	7.14	184.80	8.89	194.60	9.44	200.20	9.53
	75	119.98	5.30	139.20	6.53	158.67	7.85	184.80	9.80	191.10	10.04	196.00	10.13
	80	119.98	5.81	139.20	7.15	158.67	8.61	182.70	10.53	187.43	10.64	192.50	10.74
	85	119.98	6.34	139.20	7.83	158.67	9.44	179.20	11.14	183.40	11.24	189.00	11.35
	90	119.98	6.91	139.20	8.55	158.67	10.32	174.65	11.73	179.90	11.85	184.45	11.97
	95	119.98	7.52	139.20	9.33	158.67	11.29	170.80	12.44	176.40	12.52	180.60	12.59
	100	119.98	8.20	139.20	10.18	157.27	12.16	167.30	12.94	172.03	13.07	174.65	13.12

Connected Capacity Ratio	Outdoor air temp.	Indoor air temp.											
		DB /WB		DB /WB		DB /WB		DB /WB		DB /WB		DB /WB	
		67°F	57°F	71°F	60°F	75°F	63°F	80°F	67°F	85°F	71°F	90°F	75°F
		Tc	PI	Tc	PI	Tc	PI	Tc	PI	Tc	PI	Tc	PI
°F DB	MBH	kW	MBH	kW	MBH	kW	MBH	kW	MBH	kW	MBH	kW	
100	105	119.98	8.99	139.20	11.19	155.24	13.03	163.33	13.63	165.67	13.76	165.67	13.76
	110	119.98	10.01	139.20	12.46	152.13	14.06	155.40	14.45	155.40	14.45	156.80	14.45
	115	119.98	11.13	131.01	13.72	134.87	14.67	135.24	14.71	135.66	14.71	136.08	14.71
	118	115.58	11.37	115.76	12.85	115.99	13.37	116.31	13.41	116.67	13.41	117.03	13.41
	122	99.40	10.34	99.56	11.69	99.75	12.17	100.02	12.20	100.33	12.20	100.64	12.20
	125	85.49	9.41	85.62	10.64	85.78	11.07	86.02	11.10	86.29	11.10	86.55	11.10
	5	109.06	3.49	126.70	4.09	144.06	4.71	168.00	5.58	191.80	6.49	215.60	7.42
	14	109.06	3.56	126.70	4.17	144.06	4.80	168.00	5.69	191.80	6.62	215.60	7.57
	25	109.06	3.64	126.70	4.26	144.06	4.90	168.00	5.81	191.80	6.75	215.60	7.73
	30	109.06	3.71	126.70	4.34	144.06	5.01	168.00	5.94	191.80	6.91	215.60	7.90
	35	109.06	3.79	126.70	4.45	144.06	5.13	168.00	6.09	191.80	7.08	215.60	8.10
	40	109.06	3.87	126.70	4.55	144.06	5.26	168.00	6.24	191.80	7.25	215.60	8.29
	45	109.06	3.96	126.70	4.66	144.06	5.39	168.00	6.39	191.80	7.44	213.50	8.36
	50	109.06	4.05	126.70	4.77	144.06	5.52	168.00	6.55	191.80	7.63	211.40	8.42
	55	109.06	4.15	126.70	4.89	144.06	5.66	168.00	6.73	191.80	7.83	207.55	8.36
60	109.06	4.25	126.70	5.02	144.06	5.81	168.00	6.91	191.80	8.04	203.00	8.42	
65	109.06	4.43	126.70	5.23	144.06	6.06	168.00	7.21	191.28	8.62	197.40	8.99	
70	109.06	4.48	126.70	5.29	144.06	6.24	168.00	7.72	189.00	9.18	196.00	9.45	
75	109.06	4.69	126.70	5.72	144.06	6.85	168.00	8.50	187.60	9.93	191.80	10.05	
80	109.06	5.12	126.70	6.27	144.06	7.51	168.00	9.34	183.93	10.57	188.30	10.65	
85	109.06	5.58	126.70	6.85	144.06	8.22	168.00	10.24	179.90	11.16	184.80	11.26	
90	109.06	6.08	126.70	7.48	144.06	8.99	168.00	11.21	176.40	11.77	180.25	11.87	
95	109.06	6.61	126.70	8.15	144.06	9.80	168.00	12.40	172.20	12.44	176.40	12.48	
100	109.06	7.19	126.70	8.87	144.06	10.70	164.50	12.84	168.70	12.98	172.55	13.09	
105	109.06	7.89	126.70	9.75	144.06	11.77	160.53	13.58	164.27	13.69	165.67	13.76	
110	109.06	8.77	126.70	10.86	144.06	13.14	155.40	14.45	155.40	14.45	156.80	14.45	
115	109.06	9.74	126.70	12.09	134.17	14.10	135.24	14.71	135.66	14.71	136.08	14.71	
118	109.06	10.32	111.50	11.28	115.99	12.92	116.31	13.41	116.67	13.41	117.03	13.41	
122	93.79	9.39	95.89	10.26	99.75	11.76	100.02	12.20	100.33	12.20	100.64	12.20	
125	80.66	8.55	82.46	9.34	85.78	10.70	86.02	11.10	86.29	11.10	86.55	11.10	
90	5	98.14	3.14	114.00	3.66	129.92	4.20	151.20	4.95	172.20	5.74	193.20	6.57
	14	98.14	3.20	114.00	3.73	129.92	4.28	151.20	5.05	172.20	5.86	193.20	6.70
	25	98.14	3.27	114.00	3.81	129.92	4.37	151.20	5.15	172.20	5.98	193.20	6.84
	30	98.14	3.33	114.00	3.89	129.92	4.47	151.20	5.27	172.20	6.13	193.20	7.00
	35	98.14	3.40	114.00	3.98	129.92	4.57	151.20	5.40	172.20	6.27	193.20	7.17
	40	98.14	3.48	114.00	4.06	129.92	4.67	151.20	5.53	172.20	6.42	193.20	7.34
	45	98.14	3.55	114.00	4.16	129.92	4.79	151.20	5.67	172.20	6.59	193.20	7.53
	50	98.14	3.63	114.00	4.26	129.92	4.90	151.20	5.81	172.20	6.75	193.20	7.72
	55	98.14	3.71	114.00	4.35	129.92	5.02	151.20	5.96	172.20	6.93	193.20	7.93
	60	98.14	3.80	114.00	4.47	129.92	5.16	151.20	6.12	172.20	7.12	193.20	8.14
	65	98.14	3.96	114.00	4.65	129.92	5.37	151.20	6.38	172.20	7.48	193.20	8.79
	70	98.14	4.00	114.00	4.71	129.92	5.44	151.20	6.64	172.20	8.03	191.80	9.39
	75	98.14	4.11	114.00	4.98	129.92	5.91	151.20	7.29	172.20	8.84	187.60	9.97
	80	98.14	4.48	114.00	5.45	129.92	6.48	151.20	8.01	172.20	9.71	184.10	10.57
	85	98.14	4.89	114.00	5.95	129.92	7.09	151.20	8.77	171.85	10.60	180.60	11.17
90	98.14	5.31	114.00	6.48	129.92	7.73	151.20	9.58	169.93	11.41	177.10	11.77	
95	98.14	5.77	114.00	7.05	129.92	8.43	151.20	10.47	168.00	12.23	172.20	12.38	
100	98.14	6.26	114.00	7.67	129.92	9.19	151.20	11.43	165.20	12.87	168.70	13.00	
105	98.14	6.86	114.00	8.42	129.92	10.10	151.20	12.58	161.23	13.60	164.73	13.76	
110	98.14	7.62	114.00	9.36	129.92	11.25	151.20	14.06	155.40	14.45	156.80	14.45	
115	98.14	8.44	114.00	10.40	129.73	13.49	135.24	14.71	135.66	14.71	136.08	14.71	
118	98.14	8.94	111.50	10.78	112.87	12.44	116.31	13.41	116.67	13.41	117.03	13.41	
122	84.40	8.14	95.89	9.81	97.07	11.32	100.02	12.20	100.33	12.20	100.64	12.20	
125	72.58	7.40	82.46	8.93	83.48	10.30	86.02	11.10	86.29	11.10	86.55	11.10	
80	5	87.22	2.81	101.40	3.25	115.55	3.70	134.40	4.35	153.30	5.03	172.20	5.73
	14	87.22	2.86	101.40	3.31	115.55	3.78	134.40	4.44	153.30	5.13	172.20	5.85
	25	87.22	2.92	101.40	3.38	115.55	3.86	134.40	4.53	153.30	5.24	172.20	5.97
	30	87.22	2.97	101.40	3.45	115.55	3.94	134.40	4.62	153.30	5.36	172.20	6.11
	35	87.22	3.03	101.40	3.52	115.55	4.03	134.40	4.73	153.30	5.48	172.20	6.26
	40	87.22	3.10	101.40	3.60	115.55	4.12	134.40	4.84	153.30	5.61	172.20	6.40
	45	87.22	3.16	101.40	3.68	115.55	4.21	134.40	4.97	153.30	5.75	172.20	6.57
	50	87.22	3.23	101.40	3.76	115.55	4.30	134.40	5.09	153.30	5.90	172.20	6.74
	55	87.22	3.30	101.40	3.85	115.55	4.41	134.40	5.21	153.30	6.05	172.20	6.92
	60	87.22	3.38	101.40	3.94	115.55	4.53	134.40	5.35	153.30	6.22	172.20	7.11
	65	87.22	3.51	101.40	4.10	115.55	4.72	134.40	5.57	153.30	6.49	172.20	7.46
	70	87.22	3.54	101.40	4.15	115.55	4.77	134.40	5.65	153.30	6.77	172.20	8.01
	75	87.22	3.63	101.40	4.31	115.55	5.06	134.40	6.18	153.30	7.45	172.20	8.81
	80	87.22	3.89	101.40	4.68	115.55	5.53	134.40	6.78	153.30	8.17	172.20	9.69
	85	87.22	4.23	101.40	5.10	115.55	6.04	134.40	7.41	153.30	8.95	172.20	10.62
90	87.22	4.60	101.40	5.56	115.55	6.59	134.40	8.09	153.30	9.78	172.20	11.60	
95	87.22	4.99	101.40	6.03	115.55	7.16	134.40	8.83	153.30	10.68	169.40	12.28	

Connected Capacity Ratio	Outdoor air temp.	Indoor air temp.											
		DB /WB		DB /WB		DB /WB		DB /WB		DB /WB		DB /WB	
		67° F	57° F	71° F	60° F	75° F	63° F	80° F	67° F	85° F	71° F	90° F	75° F
		Tc	PI	Tc	PI	Tc	PI	Tc	PI	Tc	PI	Tc	PI
°F DB	MBH	kW	MBH	kW	MBH	kW	MBH	kW	MBH	kW	MBH	kW	
70	100	87.22	5.40	101.40	6.55	115.55	7.80	134.40	9.62	153.30	11.67	164.50	12.89
	105	87.22	5.90	101.40	7.18	115.55	8.55	134.40	10.58	153.30	12.83	161.47	13.63
	110	87.22	6.54	101.40	7.97	115.55	9.52	134.40	11.79	151.90	14.06	156.80	14.45
	115	87.22	7.24	101.40	8.84	115.55	10.57	134.40	13.15	135.66	14.71	136.08	14.71
	118	87.22	7.67	101.40	9.37	112.87	10.95	116.31	12.06	116.67	13.41	117.03	13.41
	122	75.01	6.98	87.20	8.53	97.07	9.96	100.02	10.98	100.33	12.20	100.64	12.20
	125	64.51	6.35	74.99	7.76	83.48	9.06	86.02	9.99	86.29	11.10	86.55	11.10
	5	76.30	2.48	88.69	2.85	101.13	3.23	117.60	3.77	134.05	4.34	151.20	4.93
	14	76.30	2.53	88.69	2.91	101.13	3.30	117.60	3.85	134.05	4.42	151.20	5.03
	25	76.30	2.58	88.69	2.97	101.13	3.37	117.60	3.93	134.05	4.51	151.20	5.13
	30	76.30	2.63	88.69	3.02	101.13	3.43	117.60	4.01	134.05	4.62	151.20	5.25
	35	76.30	2.68	88.69	3.09	101.13	3.50	117.60	4.10	134.05	4.73	151.20	5.38
	40	76.30	2.73	88.69	3.15	101.13	3.58	117.60	4.19	134.05	4.84	151.20	5.51
	45	76.30	2.79	88.69	3.22	101.13	3.66	117.60	4.29	134.05	4.95	151.20	5.64
	50	76.30	2.84	88.69	3.29	101.13	3.75	117.60	4.39	134.05	5.07	151.20	5.78
55	76.30	2.90	88.69	3.35	101.13	3.83	117.60	4.50	134.05	5.20	151.20	5.93	
60	76.30	2.97	88.69	3.44	101.13	3.92	117.60	4.61	134.05	5.34	151.20	6.09	
65	76.30	3.07	88.69	3.57	101.13	4.08	117.60	4.81	134.05	5.57	151.20	6.35	
70	76.30	3.10	88.69	3.61	101.13	4.13	117.60	4.86	134.05	5.65	151.20	6.60	
75	76.30	3.18	88.69	3.69	101.13	4.27	117.60	5.17	134.05	6.17	151.20	7.25	
80	76.30	3.34	88.69	3.98	101.13	4.66	117.60	5.66	134.05	6.76	151.20	7.96	
85	76.30	3.63	88.69	4.33	101.13	5.08	117.60	6.18	134.05	7.39	151.20	8.72	
90	76.30	3.93	88.69	4.70	101.13	5.53	117.60	6.73	134.05	8.07	151.20	9.53	
95	76.30	4.26	88.69	5.10	101.13	6.00	117.60	7.33	134.05	8.81	151.20	10.40	
100	76.30	4.60	88.69	5.53	101.13	6.52	117.60	7.97	134.05	9.59	151.20	11.36	
105	76.30	5.02	88.69	6.04	101.13	7.14	117.60	8.75	134.05	10.55	151.20	12.51	
110	76.30	5.56	88.69	6.70	101.13	7.93	117.60	9.74	134.05	11.76	151.20	13.93	
115	76.30	6.13	88.69	7.41	101.13	8.79	117.60	10.82	132.86	13.60	136.08	14.71	
118	76.30	6.50	88.69	7.86	101.13	9.32	105.84	10.32	116.67	12.66	117.03	13.41	
122	65.62	5.91	76.27	7.15	86.97	8.48	91.02	9.39	100.33	11.52	100.64	12.20	
125	56.43	5.38	65.60	6.50	74.79	7.72	78.28	8.55	86.29	10.49	86.55	11.10	
60	5	65.38	2.18	75.99	2.48	86.61	2.79	100.80	3.23	114.94	3.68	129.08	4.16
	14	65.38	2.22	75.99	2.53	86.61	2.85	100.80	3.29	114.94	3.76	129.08	4.25
	25	65.38	2.27	75.99	2.58	86.61	2.91	100.80	3.36	114.94	3.83	129.08	4.33
	30	65.38	2.30	75.99	2.63	86.61	2.96	100.80	3.42	114.94	3.91	129.08	4.43
	35	65.38	2.35	75.99	2.68	86.61	3.02	100.80	3.50	114.94	4.00	129.08	4.53
	40	65.38	2.40	75.99	2.73	86.61	3.07	100.80	3.57	114.94	4.09	129.08	4.63
	45	65.38	2.44	75.99	2.78	86.61	3.14	100.80	3.65	114.94	4.19	129.08	4.75
	50	65.38	2.49	75.99	2.84	86.61	3.21	100.80	3.74	114.94	4.28	129.08	4.86
	55	65.38	2.53	75.99	2.90	86.61	3.28	100.80	3.82	114.94	4.39	129.08	4.99
	60	65.38	2.58	75.99	2.96	86.61	3.36	100.80	3.91	114.94	4.50	129.08	5.12
	65	65.38	2.66	75.99	3.06	86.61	3.48	100.80	4.06	114.94	4.69	129.08	5.33
	70	65.38	2.69	75.99	3.10	86.61	3.51	100.80	4.11	114.94	4.75	129.08	5.39
	75	65.38	2.75	75.99	3.17	86.61	3.61	100.80	4.24	114.94	5.02	129.08	5.86
	80	65.38	2.84	75.99	3.34	86.61	3.87	100.80	4.64	114.94	5.49	129.08	6.42
	85	65.38	3.08	75.99	3.63	86.61	4.21	100.80	5.05	114.94	5.99	129.08	7.01
90	65.38	3.32	75.99	3.93	86.61	4.57	100.80	5.49	114.94	6.53	129.08	7.65	
95	65.38	3.59	75.99	4.25	86.61	4.95	100.80	5.98	114.94	7.11	129.08	8.33	
100	65.38	3.87	75.99	4.59	86.61	5.36	100.80	6.49	114.94	7.73	129.08	9.09	
105	65.38	4.21	75.99	5.01	86.61	5.86	100.80	7.10	114.94	8.49	129.08	9.98	
110	65.38	4.65	75.99	5.54	86.61	6.49	100.80	7.89	114.94	9.44	129.08	11.13	
115	65.38	5.12	75.99	6.12	86.61	7.19	100.80	8.75	114.94	10.49	129.08	12.38	
118	65.38	5.42	75.99	6.49	86.61	7.62	100.80	9.27	105.74	10.23	117.03	11.90	
122	56.23	4.94	65.35	5.91	74.49	6.93	86.69	8.44	90.94	9.31	100.64	10.83	
125	48.36	4.49	56.20	5.37	64.06	6.31	74.55	7.68	78.21	8.47	86.55	9.85	
50	5	54.46	1.87	63.28	2.11	72.10	2.35	84.00	2.68	95.83	3.03	106.96	3.39
	14	54.46	1.91	63.28	2.15	72.10	2.40	84.00	2.74	95.83	3.09	106.96	3.46
	25	54.46	1.95	63.28	2.20	72.10	2.45	84.00	2.79	95.83	3.15	106.96	3.53
	30	54.46	1.98	63.28	2.23	72.10	2.49	84.00	2.84	95.83	3.20	106.96	3.61
	35	54.46	2.02	63.28	2.27	72.10	2.53	84.00	2.89	95.83	3.27	106.96	3.68
	40	54.46	2.06	63.28	2.30	72.10	2.56	84.00	2.94	95.83	3.34	106.96	3.76
	45	54.46	2.10	63.28	2.34	72.10	2.61	84.00	3.01	95.83	3.42	106.96	3.85
	50	54.46	2.13	63.28	2.39	72.10	2.66	84.00	3.09	95.83	3.50	106.96	3.93
	55	54.46	2.15	63.28	2.44	72.10	2.74	84.00	3.14	95.83	3.58	106.96	4.04
	60	54.46	2.20	63.28	2.48	72.10	2.79	84.00	3.21	95.83	3.67	106.96	4.14
	65	54.46	2.25	63.28	2.56	72.10	2.88	84.00	3.32	95.83	3.82	106.96	4.32
	70	54.46	2.29	63.28	2.58	72.10	2.90	84.00	3.37	95.83	3.84	106.96	4.18
	75	54.46	2.32	63.28	2.64	72.10	2.95	84.00	3.32	95.83	3.87	106.96	4.47
	80	54.46	2.35	63.28	2.69	72.10	3.08	84.00	3.62	95.83	4.21	106.96	4.88
	85	54.46	2.53	63.28	2.92	72.10	3.33	84.00	3.92	95.83	4.59	106.96	5.30
90	54.46	2.71	63.28	3.15	72.10	3.61	84.00	4.25	95.83	4.99	106.96	5.77	

Connected Capacity Ratio	Outdoor air temp.	Indoor air temp.											
		DB /WB		DB /WB		DB /WB		DB /WB		DB /WB		DB /WB	
		67° F	57° F	71° F	60° F	75° F	63° F	80° F	67° F	85° F	71° F	90° F	75° F
		Tc	PI	Tc	PI	Tc	PI	Tc	PI	Tc	PI	Tc	PI
	°F DB	MBH	kW	MBH	kW	MBH	kW	MBH	kW	MBH	kW	MBH	kW
	95	54.46	2.93	63.28	3.40	72.10	3.90	84.00	4.62	95.83	5.41	106.96	6.26
	100	54.46	3.14	63.28	3.65	72.10	4.20	84.00	5.00	95.83	5.87	106.96	6.82
	105	54.46	3.41	63.28	3.98	72.10	4.58	84.00	5.46	95.83	6.42	106.96	7.45
	110	54.46	3.74	63.28	4.37	72.10	5.05	84.00	6.04	95.83	7.11	106.96	8.33
	115	54.46	4.10	63.28	4.83	72.10	5.58	84.00	6.68	95.83	7.37	106.96	10.05
	118	54.46	4.35	63.28	5.12	72.10	5.92	84.00	7.08	95.83	7.81	106.96	10.65
	122	46.84	3.96	54.42	4.66	62.01	5.38	72.24	6.44	82.41	7.11	91.99	9.69
	125	40.28	3.60	46.80	4.24	53.33	4.90	62.13	5.86	70.88	6.47	79.11	8.82

Table 54 - 38VMA192HDS5-1, 38VMA192HDS6-1

Connected Capacity Ratio	Outdoor air temp.	Indoor air temp.											
		DB /WB		DB /WB		DB /WB		DB /WB		DB /WB		DB /WB	
		67° F	57° F	71° F	60° F	75° F	63° F	80° F	67° F	85° F	71° F	90° F	75° F
		Tc	PI	Tc	PI	Tc	PI	Tc	PI	Tc	PI	Tc	PI
	°F DB	MBH	kW	MBH	kW	MBH	kW	MBH	kW	MBH	kW	MBH	kW
135	5	161.60	5.39	188.00	6.38	214.93	7.41	249.60	8.83	270.17	9.34	276.57	8.96
	14	161.60	5.50	188.00	6.51	214.93	7.56	249.60	9.01	270.17	9.53	276.57	9.14
	25	161.60	5.61	188.00	6.65	214.93	7.72	249.60	9.19	270.17	9.72	276.57	9.33
	30	161.60	5.74	188.00	6.80	214.93	7.90	249.60	9.41	265.60	9.66	272.00	9.26
	35	161.60	5.88	188.00	6.97	214.93	8.09	249.60	9.64	261.60	9.59	268.00	9.18
	40	161.60	6.01	188.00	7.13	214.93	8.29	249.60	9.86	257.60	9.52	264.00	9.10
	45	161.60	6.16	188.00	7.32	214.93	8.50	245.60	9.83	252.80	9.45	259.20	9.02
	50	161.60	6.30	188.00	7.50	214.93	8.72	241.60	9.80	248.00	9.37	254.40	8.94
	55	161.60	6.47	188.00	7.69	214.93	8.94	237.60	9.73	244.00	9.35	250.40	9.17
	60	161.60	6.64	188.00	7.91	214.93	9.19	233.60	9.83	240.00	9.77	246.40	9.88
	65	161.60	6.93	188.00	8.29	214.13	9.86	226.00	10.56	233.60	10.91	240.00	11.03
	70	161.60	7.09	188.00	8.81	211.73	10.44	224.00	11.07	230.40	11.19	236.80	11.31
	75	161.60	7.78	188.00	9.69	209.60	11.22	220.80	11.77	227.20	11.90	233.60	12.03
	80	161.60	8.53	188.00	10.64	205.87	12.02	215.20	12.47	222.20	12.62	229.20	12.75
	85	161.60	9.35	188.00	11.67	203.20	12.86	211.20	13.18	217.60	13.34	224.00	13.50
	90	161.60	10.21	188.00	12.73	200.53	13.70	207.20	13.89	213.60	14.07	220.00	14.21
95	161.60	11.13	185.60	13.55	196.80	14.44	203.20	14.61	208.80	14.78	209.60	14.83	
100	161.60	12.15	181.40	14.34	191.20	15.16	198.40	15.31	199.60	15.34	199.60	15.34	
105	161.60	13.37	178.80	15.29	187.02	16.03	189.33	16.09	189.33	16.09	189.33	16.09	
110	161.60	14.90	173.60	16.40	177.60	16.90	177.60	16.90	177.60	16.90	179.20	16.90	
115	153.60	17.05	153.84	17.05	154.13	17.15	154.56	17.20	155.04	17.20	155.52	17.20	
118	132.10	15.54	132.30	15.54	132.55	15.63	132.92	15.68	133.33	15.68	133.75	15.68	
122	113.60	14.14	113.78	14.14	114.00	14.23	114.31	14.27	114.67	14.27	115.02	14.27	
125	97.70	12.87	97.85	12.87	98.04	12.95	98.31	12.99	98.61	12.99	98.92	12.99	
120	5	149.44	4.94	174.16	5.84	198.40	6.76	230.40	8.04	260.69	9.26	271.77	9.23
	14	149.44	5.04	174.16	5.96	198.40	6.90	230.40	8.21	260.69	9.45	271.77	9.42
	25	149.44	5.14	174.16	6.08	198.40	7.04	230.40	8.37	260.69	9.64	271.77	9.61
	30	149.44	5.25	174.16	6.21	198.40	7.20	230.40	8.57	258.40	9.72	267.20	9.54
	35	149.44	5.37	174.16	6.36	198.40	7.38	230.40	8.78	255.60	9.75	263.20	9.47
	40	149.44	5.50	174.16	6.51	198.40	7.56	230.40	9.00	252.80	9.78	259.20	9.39
	45	149.44	5.63	174.16	6.68	198.40	7.75	230.40	9.23	248.80	9.71	254.40	9.32
	50	149.44	5.77	174.16	6.84	198.40	7.94	230.40	9.47	244.80	9.64	249.60	9.24
	55	149.44	5.92	174.16	7.02	198.40	8.16	230.40	9.72	239.80	9.57	245.60	9.27
	60	149.44	6.07	174.16	7.21	198.40	8.38	228.80	9.88	235.20	9.77	241.60	9.81
	65	149.44	6.33	174.16	7.52	198.40	8.84	222.40	10.33	228.80	10.76	235.20	10.94
	70	149.44	6.41	174.16	7.86	198.40	9.47	220.80	11.01	227.20	11.11	233.60	11.22
	75	149.44	6.97	174.16	8.63	198.40	10.43	216.00	11.71	222.40	11.81	228.80	11.93
	80	149.44	7.63	174.16	9.47	198.13	11.44	212.00	12.40	218.40	12.53	224.80	12.66
	85	149.44	8.35	174.16	10.37	196.27	12.34	208.00	13.10	214.40	13.24	220.00	13.38
	90	149.44	9.11	174.16	11.34	193.60	13.16	204.00	13.80	209.20	13.96	215.20	14.12
95	149.44	9.93	174.16	12.38	190.93	14.00	198.40	14.59	204.80	14.71	209.60	14.83	
100	149.44	10.83	174.16	13.53	187.20	14.88	194.40	15.23	199.00	15.34	199.60	15.34	
105	149.44	11.89	173.36	14.76	184.53	15.86	188.80	16.09	189.33	16.09	189.33	16.09	
110	149.44	13.26	170.56	15.99	177.60	16.90	177.60	16.90	177.60	16.90	179.20	16.90	
115	149.44	14.75	152.80	16.47	154.13	17.15	154.56	17.20	155.04	17.20	155.52	17.20	
118	132.10	13.82	132.30	15.12	132.55	15.63	132.92	15.68	133.33	15.68	133.75	15.68	
122	113.60	12.58	113.78	13.76	114.00	14.23	114.31	14.27	114.67	14.27	115.02	14.27	
125	97.70	11.45	97.85	12.52	98.04	12.95	98.31	12.99	98.61	12.99	98.92	12.99	
110	5	137.12	4.50	159.08	5.30	181.33	6.12	211.20	7.27	240.80	8.47	266.97	9.49
	14	137.12	4.59	159.08	5.40	181.33	6.25	211.20	7.42	240.80	8.64	266.97	9.69
	25	137.12	4.68	159.08	5.51	181.33	6.38	211.20	7.57	240.80	8.82	266.97	9.88
	30	137.12	4.78	159.08	5.64	181.33	6.52	211.20	7.75	240.80	9.03	262.40	9.82
	35	137.12	4.89	159.08	5.77	181.33	6.68	211.20	7.94	240.80	9.25	258.40	9.76
	40	137.12	5.01	159.08	5.91	181.33	6.84	211.20	8.13	240.80	9.47	254.40	9.70
	45	137.12	5.12	159.08	6.05	181.33	7.01	211.20	8.34	239.20	9.59	250.40	9.62
	50	137.12	5.24	159.08	6.20	181.33	7.19	211.20	8.56	237.60	9.71	246.40	9.54

Connected Capacity Ratio	Outdoor air temp.	Indoor air temp.											
		DB /WB		DB /WB		DB /WB		DB /WB		DB /WB		DB /WB	
		67° F	57° F	71° F	60° F	75° F	63° F	80° F	67° F	85° F	71° F	90° F	75° F
		Tc	PI	Tc	PI	Tc	PI	Tc	PI	Tc	PI	Tc	PI
°F DB	MBH	kW	MBH	kW	MBH	kW	MBH	kW	MBH	kW	MBH	kW	
100	55	137.12	5.37	159.08	6.36	181.33	7.37	211.20	8.78	235.40	9.79	240.80	9.48
	60	137.12	5.51	159.08	6.53	181.33	7.57	211.20	9.02	231.60	9.87	236.80	9.74
	65	137.12	5.74	159.08	6.81	181.33	7.90	211.20	9.63	224.20	10.44	230.40	10.86
	70	137.12	5.82	159.08	6.99	181.33	8.35	211.20	10.40	222.40	11.04	228.80	11.14
	75	137.12	6.20	159.08	7.63	181.33	9.18	211.20	11.46	218.40	11.74	224.00	11.84
	80	137.12	6.79	159.08	8.36	181.33	10.07	208.80	12.32	214.20	12.44	220.00	12.56
	85	137.12	7.41	159.08	9.15	181.33	11.04	204.80	13.02	209.60	13.14	216.00	13.27
	90	137.12	8.08	159.08	10.00	181.33	12.07	199.60	13.72	205.60	13.85	210.80	14.00
	95	137.12	8.80	159.08	10.91	181.33	13.20	195.20	14.55	201.60	14.64	206.40	14.72
	100	137.12	9.59	159.08	11.90	179.73	14.22	191.20	15.13	196.60	15.28	199.60	15.34
	105	137.12	10.51	159.08	13.09	177.42	15.24	186.67	15.93	189.33	16.09	189.33	16.09
	110	137.12	11.71	159.08	14.57	173.87	16.44	177.60	16.90	177.60	16.90	179.20	16.90
	115	137.12	13.02	149.72	16.04	154.13	17.15	154.56	17.20	155.04	17.20	155.52	17.20
	118	132.10	13.29	132.30	15.03	132.55	15.63	132.92	15.68	133.33	15.68	133.75	15.68
	122	113.60	12.09	113.78	13.67	114.00	14.23	114.31	14.27	114.67	14.27	115.02	14.27
125	97.70	11.01	97.85	12.44	98.04	12.95	98.31	12.99	98.61	12.99	98.92	12.99	
100	5	124.64	4.08	144.80	4.78	164.64	5.51	192.00	6.52	219.20	7.59	246.40	8.68
	14	124.64	4.17	144.80	4.88	164.64	5.62	192.00	6.65	219.20	7.74	246.40	8.85
	25	124.64	4.25	144.80	4.98	164.64	5.73	192.00	6.79	219.20	7.90	246.40	9.03
	30	124.64	4.34	144.80	5.08	164.64	5.86	192.00	6.94	219.20	8.08	246.40	9.24
	35	124.64	4.43	144.80	5.20	164.64	6.00	192.00	7.12	219.20	8.28	246.40	9.47
	40	124.64	4.52	144.80	5.32	164.64	6.14	192.00	7.29	219.20	8.48	246.40	9.70
	45	124.64	4.63	144.80	5.45	164.64	6.30	192.00	7.47	219.20	8.70	244.00	9.77
	50	124.64	4.73	144.80	5.58	164.64	6.45	192.00	7.66	219.20	8.92	241.60	9.85
	55	124.64	4.85	144.80	5.71	164.64	6.61	192.00	7.87	219.20	9.16	237.20	9.78
	60	124.64	4.97	144.80	5.87	164.64	6.79	192.00	8.08	219.20	9.40	232.00	9.84
	65	124.64	5.18	144.80	6.11	164.64	7.08	192.00	8.43	218.60	10.08	225.60	10.51
	70	124.64	5.24	144.80	6.18	164.64	7.30	192.00	9.03	216.00	10.73	224.00	11.05
	75	124.64	5.48	144.80	6.69	164.64	8.01	192.00	9.94	214.40	11.61	219.20	11.75
	80	124.64	5.98	144.80	7.33	164.64	8.78	192.00	10.92	210.20	12.36	215.20	12.46
	85	124.64	6.53	144.80	8.01	164.64	9.62	192.00	11.97	205.60	13.05	211.20	13.17
90	124.64	7.11	144.80	8.75	164.64	10.51	192.00	13.10	201.60	13.76	206.00	13.88	
95	124.64	7.73	144.80	9.53	164.64	11.46	192.00	14.50	196.80	14.55	201.60	14.60	
100	124.64	8.41	144.80	10.38	164.64	12.51	188.00	15.01	192.80	15.18	197.20	15.30	
105	124.64	9.23	144.80	11.41	164.64	13.77	183.47	15.88	187.73	16.01	189.33	16.09	
110	124.64	10.26	144.80	12.70	164.64	15.36	177.60	16.90	177.60	16.90	179.20	16.90	
115	124.64	11.39	144.80	14.14	153.33	16.49	154.56	17.20	155.04	17.20	155.52	17.20	
118	124.64	12.07	127.42	13.19	132.55	15.11	132.92	15.68	133.33	15.68	133.75	15.68	
122	107.19	10.98	109.58	12.00	114.00	13.75	114.31	14.27	114.67	14.27	115.02	14.27	
125	92.18	10.00	94.24	10.92	98.04	12.51	98.31	12.99	98.61	12.99	98.92	12.99	
90	5	112.16	3.67	130.28	4.28	148.48	4.91	172.80	5.79	196.80	6.72	220.80	7.68
	14	112.16	3.74	130.28	4.37	148.48	5.01	172.80	5.90	196.80	6.85	220.80	7.83
	25	112.16	3.82	130.28	4.46	148.48	5.11	172.80	6.02	196.80	6.99	220.80	7.99
	30	112.16	3.90	130.28	4.55	148.48	5.22	172.80	6.17	196.80	7.16	220.80	8.19
	35	112.16	3.98	130.28	4.65	148.48	5.34	172.80	6.32	196.80	7.34	220.80	8.39
	40	112.16	4.06	130.28	4.75	148.48	5.47	172.80	6.47	196.80	7.51	220.80	8.59
	45	112.16	4.16	130.28	4.86	148.48	5.60	172.80	6.63	196.80	7.70	220.80	8.81
	50	112.16	4.25	130.28	4.98	148.48	5.73	172.80	6.79	196.80	7.89	220.80	9.03
	55	112.16	4.34	130.28	5.09	148.48	5.87	172.80	6.96	196.80	8.10	220.80	9.27
	60	112.16	4.45	130.28	5.22	148.48	6.03	172.80	7.15	196.80	8.32	220.80	9.52
	65	112.16	4.63	130.28	5.44	148.48	6.28	172.80	7.46	196.80	8.75	220.80	10.28
	70	112.16	4.67	130.28	5.51	148.48	6.36	172.80	7.76	196.80	9.39	219.20	10.98
	75	112.16	4.81	130.28	5.83	148.48	6.92	172.80	8.52	196.80	10.34	214.40	11.66
	80	112.16	5.24	130.28	6.37	148.48	7.58	172.80	9.37	196.80	11.36	210.40	12.36
	85	112.16	5.72	130.28	6.95	148.48	8.29	172.80	10.25	196.40	12.40	206.40	13.06
90	112.16	6.21	130.28	7.57	148.48	9.04	172.80	11.21	194.20	13.34	202.40	13.77	
95	112.16	6.74	130.28	8.24	148.48	9.85	172.80	12.24	192.00	14.30	196.80	14.48	
100	112.16	7.32	130.28	8.97	148.48	10.74	172.80	13.36	188.80	15.05	192.80	15.20	
105	112.16	8.02	130.28	9.84	148.48	11.81	172.80	14.71	184.27	15.91	188.27	16.09	
110	112.16	8.91	130.28	10.95	148.48	13.15	172.80	16.44	177.60	16.90	179.20	16.90	
115	112.16	9.86	130.28	12.16	148.27	15.78	154.56	17.20	155.04	17.20	155.52	17.20	
118	112.16	10.46	127.42	12.61	128.99	14.55	132.92	15.68	133.33	15.68	133.75	15.68	
122	96.46	9.52	109.58	11.47	110.93	13.24	114.31	14.27	114.67	14.27	115.02	14.27	
125	82.95	8.66	94.24	10.44	95.40	12.05	98.31	12.99	98.61	12.99	98.92	12.99	
80	5	99.68	3.28	115.88	3.79	132.05	4.33	153.60	5.09	175.20	5.88	196.80	6.70
	14	99.68	3.35	115.88	3.87	132.05	4.42	153.60	5.19	175.20	6.00	196.80	6.84
	25	99.68	3.42	115.88	3.95	132.05	4.51	153.60	5.30	175.20	6.12	196.80	6.98
	30	99.68	3.47	115.88	4.03	132.05	4.60	153.60	5.40	175.20	6.26	196.80	7.14
	35	99.68	3.55	115.88	4.12	132.05	4.71	153.60	5.53	175.20	6.41	196.80	7.31
	40	99.68	3.62	115.88	4.21	132.05	4.82	153.60	5.66	175.20	6.56	196.80	7.49
45	99.68	3.70	115.88	4.30	132.05	4.92	153.60	5.81	175.20	6.73	196.80	7.69	

Connected Capacity Ratio	Outdoor air temp.	Indoor air temp.											
		DB /WB		DB /WB		DB /WB		DB /WB		DB /WB		DB /WB	
		67° F	57° F	71° F	60° F	75° F	63° F	80° F	67° F	85° F	71° F	90° F	75° F
		Tc	PI	Tc	PI	Tc	PI	Tc	PI	Tc	PI	Tc	PI
°F DB	MBH	kW	MBH	kW	MBH	kW	MBH	kW	MBH	kW	MBH	kW	
70	50	99.68	3.78	115.88	4.39	132.05	5.03	153.60	5.95	175.20	6.90	196.80	7.89
	55	99.68	3.86	115.88	4.50	132.05	5.16	153.60	6.09	175.20	7.08	196.80	8.09
	60	99.68	3.95	115.88	4.61	132.05	5.29	153.60	6.26	175.20	7.27	196.80	8.31
	65	99.68	4.10	115.88	4.79	132.05	5.52	153.60	6.51	175.20	7.58	196.80	8.72
	70	99.68	4.14	115.88	4.85	132.05	5.58	153.60	6.61	175.20	7.92	196.80	9.36
	75	99.68	4.25	115.88	5.03	132.05	5.92	153.60	7.23	175.20	8.71	196.80	10.31
	80	99.68	4.55	115.88	5.47	132.05	6.47	153.60	7.92	175.20	9.55	196.80	11.33
	85	99.68	4.95	115.88	5.97	132.05	7.07	153.60	8.67	175.20	10.46	196.80	12.42
	90	99.68	5.38	115.88	6.50	132.05	7.70	153.60	9.46	175.20	11.44	196.80	13.56
	95	99.68	5.83	115.88	7.05	132.05	8.37	153.60	10.32	175.20	12.49	193.60	14.36
	100	99.68	6.31	115.88	7.66	132.05	9.12	153.60	11.25	175.20	13.65	188.00	15.07
	105	99.68	6.90	115.88	8.39	132.05	10.00	153.60	12.37	175.20	15.00	184.53	15.93
	110	99.68	7.64	115.88	9.32	132.05	11.13	153.60	13.79	173.60	16.44	179.20	16.90
	115	99.68	8.46	115.88	10.34	132.05	12.36	153.60	15.38	155.04	17.20	155.52	17.20
	118	99.68	8.97	115.88	10.96	128.99	12.80	132.92	14.10	133.33	15.68	133.75	15.68
122	85.72	8.16	99.66	9.97	110.93	11.65	114.31	12.83	114.67	14.27	115.02	14.27	
125	73.72	7.43	85.70	9.07	95.40	10.60	98.31	11.68	98.61	12.99	98.92	12.99	
70	5	87.20	2.90	101.36	3.33	115.57	3.78	134.40	4.41	153.20	5.07	172.80	5.77
	14	87.20	2.96	101.36	3.40	115.57	3.86	134.40	4.50	153.20	5.17	172.80	5.88
	25	87.20	3.02	101.36	3.47	115.57	3.94	134.40	4.59	153.20	5.28	172.80	6.00
	30	87.20	3.08	101.36	3.53	115.57	4.01	134.40	4.69	153.20	5.40	172.80	6.13
	35	87.20	3.14	101.36	3.61	115.57	4.10	134.40	4.80	153.20	5.53	172.80	6.29
	40	87.20	3.20	101.36	3.69	115.57	4.19	134.40	4.90	153.20	5.66	172.80	6.44
	45	87.20	3.26	101.36	3.77	115.57	4.29	134.40	5.02	153.20	5.79	172.80	6.60
	50	87.20	3.32	101.36	3.84	115.57	4.38	134.40	5.13	153.20	5.93	172.80	6.76
	55	87.20	3.39	101.36	3.92	115.57	4.48	134.40	5.26	153.20	6.08	172.80	6.93
	60	87.20	3.47	101.36	4.02	115.57	4.59	134.40	5.40	153.20	6.25	172.80	7.12
	65	87.20	3.59	101.36	4.18	115.57	4.77	134.40	5.62	153.20	6.51	172.80	7.43
	70	87.20	3.62	101.36	4.22	115.57	4.83	134.40	5.68	153.20	6.61	172.80	7.72
	75	87.20	3.71	101.36	4.32	115.57	5.00	134.40	6.04	153.20	7.22	172.80	8.48
	80	87.20	3.90	101.36	4.65	115.57	5.45	134.40	6.62	153.20	7.91	172.80	9.31
	85	87.20	4.25	101.36	5.06	115.57	5.94	134.40	7.22	153.20	8.64	172.80	10.20
90	87.20	4.60	101.36	5.50	115.57	6.46	134.40	7.87	153.20	9.44	172.80	11.15	
95	87.20	4.98	101.36	5.96	115.57	7.02	134.40	8.57	153.20	10.30	172.80	12.16	
100	87.20	5.38	101.36	6.46	115.57	7.62	134.40	9.32	153.20	11.22	172.80	13.28	
105	87.20	5.87	101.36	7.06	115.57	8.35	134.40	10.23	153.20	12.34	172.80	14.63	
110	87.20	6.50	101.36	7.84	115.57	9.28	134.40	11.39	153.20	13.75	172.80	16.29	
115	87.20	7.17	101.36	8.67	115.57	10.28	134.40	12.65	151.84	15.91	155.52	17.20	
118	87.20	7.60	101.36	9.19	115.57	10.90	120.96	12.07	133.33	14.81	133.75	15.68	
122	74.99	6.92	87.17	8.36	99.39	9.92	104.03	10.98	114.67	13.47	115.02	14.27	
125	64.49	6.29	74.97	7.61	85.48	9.02	89.46	9.99	98.61	12.26	98.92	12.99	
60	5	74.72	2.55	86.84	2.90	98.99	3.26	115.20	3.77	131.36	4.30	147.52	4.87
	14	74.72	2.60	86.84	2.96	98.99	3.33	115.20	3.85	131.36	4.39	147.52	4.97
	25	74.72	2.65	86.84	3.02	98.99	3.40	115.20	3.93	131.36	4.48	147.52	5.07
	30	74.72	2.69	86.84	3.07	98.99	3.46	115.20	4.00	131.36	4.57	147.52	5.18
	35	74.72	2.75	86.84	3.13	98.99	3.53	115.20	4.09	131.36	4.68	147.52	5.30
	40	74.72	2.80	86.84	3.19	98.99	3.59	115.20	4.17	131.36	4.78	147.52	5.42
	45	74.72	2.85	86.84	3.25	98.99	3.67	115.20	4.27	131.36	4.89	147.52	5.55
	50	74.72	2.91	86.84	3.32	98.99	3.75	115.20	4.37	131.36	5.01	147.52	5.68
	55	74.72	2.95	86.84	3.39	98.99	3.84	115.20	4.47	131.36	5.13	147.52	5.83
	60	74.72	3.02	86.84	3.46	98.99	3.93	115.20	4.57	131.36	5.27	147.52	5.98
	65	74.72	3.11	86.84	3.58	98.99	4.07	115.20	4.75	131.36	5.49	147.52	6.24
	70	74.72	3.15	86.84	3.62	98.99	4.11	115.20	4.81	131.36	5.55	147.52	6.30
	75	74.72	3.21	86.84	3.70	98.99	4.22	115.20	4.96	131.36	5.87	147.52	6.85
	80	74.72	3.33	86.84	3.90	98.99	4.52	115.20	5.42	131.36	6.42	147.52	7.50
	85	74.72	3.60	86.84	4.24	98.99	4.92	115.20	5.91	131.36	7.01	147.52	8.20
90	74.72	3.89	86.84	4.59	98.99	5.34	115.20	6.42	131.36	7.64	147.52	8.95	
95	74.72	4.20	86.84	4.97	98.99	5.79	115.20	6.99	131.36	8.31	147.52	9.74	
100	74.72	4.53	86.84	5.37	98.99	6.27	115.20	7.58	131.36	9.04	147.52	10.63	
105	74.72	4.93	86.84	5.86	98.99	6.85	115.20	8.31	131.36	9.92	147.52	11.67	
110	74.72	5.43	86.84	6.47	98.99	7.59	115.20	9.23	131.36	11.04	147.52	13.02	
115	74.72	5.98	86.84	7.16	98.99	8.40	115.20	10.23	131.36	12.26	147.52	14.48	
118	74.72	6.34	86.84	7.59	98.99	8.91	115.20	10.84	120.85	11.96	133.75	13.91	
122	64.26	5.77	74.68	6.91	85.13	8.11	99.07	9.87	103.93	10.88	115.02	12.66	
125	55.26	5.25	64.23	6.28	73.21	7.38	85.20	8.98	89.38	9.90	98.92	11.52	
50	5	62.24	2.19	72.32	2.47	82.40	2.75	96.00	3.13	109.52	3.54	122.24	3.97
	14	62.24	2.24	72.32	2.52	82.40	2.80	96.00	3.20	109.52	3.61	122.24	4.05
	25	62.24	2.28	72.32	2.57	82.40	2.86	96.00	3.26	109.52	3.69	122.24	4.13
	30	62.24	2.31	72.32	2.61	82.40	2.91	96.00	3.32	109.52	3.74	122.24	4.22
	35	62.24	2.36	72.32	2.65	82.40	2.96	96.00	3.38	109.52	3.82	122.24	4.31
40	62.24	2.41	72.32	2.69	82.40	3.00	96.00	3.44	109.52	3.90	122.24	4.40	

Connected Capacity Ratio	Outdoor air temp.	Indoor air temp.											
		DB /WB		DB /WB		DB /WB		DB /WB		DB /WB		DB /WB	
		67° F	57° F	71° F	60° F	75° F	63° F	80° F	67° F	85° F	71° F	90° F	75° F
		Tc	PI	Tc	PI	Tc	PI	Tc	PI	Tc	PI	Tc	PI
°F DB	MBH	kW	MBH	kW	MBH	kW	MBH	kW	MBH	kW	MBH	kW	
45	62.24	2.45	72.32	2.74	82.40	3.06	96.00	3.52	109.52	4.00	122.24	4.50	
50	62.24	2.50	72.32	2.79	82.40	3.12	96.00	3.61	109.52	4.09	122.24	4.60	
55	62.24	2.51	72.32	2.85	82.40	3.20	96.00	3.67	109.52	4.18	122.24	4.73	
60	62.24	2.57	72.32	2.90	82.40	3.27	96.00	3.75	109.52	4.29	122.24	4.84	
65	62.24	2.63	72.32	2.99	82.40	3.37	96.00	3.88	109.52	4.46	122.24	5.05	
70	62.24	2.68	72.32	3.02	82.40	3.39	96.00	3.94	109.52	4.49	122.24	4.89	
75	62.24	2.71	72.32	3.09	82.40	3.45	96.00	3.88	109.52	4.52	122.24	5.22	
80	62.24	2.75	72.32	3.15	82.40	3.60	96.00	4.23	109.52	4.93	122.24	5.70	
85	62.24	2.95	72.32	3.42	82.40	3.90	96.00	4.59	109.52	5.37	122.24	6.20	
90	62.24	3.17	72.32	3.68	82.40	4.22	96.00	4.97	109.52	5.84	122.24	6.75	
95	62.24	3.43	72.32	3.97	82.40	4.56	96.00	5.40	109.52	6.33	122.24	7.32	
100	62.24	3.68	72.32	4.27	82.40	4.92	96.00	5.85	109.52	6.86	122.24	7.97	
105	62.24	3.99	72.32	4.65	82.40	5.35	96.00	6.38	109.52	7.51	122.24	8.71	
110	62.24	4.37	72.32	5.11	82.40	5.91	96.00	7.06	109.52	8.32	122.24	9.74	
115	62.24	4.80	72.32	5.65	82.40	6.53	96.00	7.81	109.52	8.62	122.24	11.75	
118	62.24	5.08	72.32	5.99	82.40	6.92	96.00	8.28	109.52	9.13	122.24	12.46	
122	53.53	4.63	62.20	5.45	70.86	6.29	82.56	7.53	94.19	8.31	105.13	11.34	
125	46.03	4.21	53.49	4.96	60.94	5.73	71.00	6.85	81.00	7.56	90.41	10.32	

Table 55 - 38VMA216HDS5-1, 38VMA216HDS6-1

Connected Capacity Ratio	Outdoor air temp.	Indoor air temp.											
		DB /WB		DB /WB		DB /WB		DB /WB		DB /WB		DB /WB	
		67° F	57° F	71° F	60° F	75° F	63° F	80° F	67° F	85° F	71° F	90° F	75° F
		Tc	PI	Tc	PI	Tc	PI	Tc	PI	Tc	PI	Tc	PI
°F DB	MBH	kW	MBH	kW	MBH	kW	MBH	kW	MBH	kW	MBH	kW	
5	181.80	6.17	211.50	7.31	241.80	8.49	280.80	10.10	303.94	10.69	311.14	10.26	
14	181.80	6.29	211.50	7.46	241.80	8.66	280.80	10.31	303.94	10.91	311.14	10.47	
25	181.80	6.42	211.50	7.61	241.80	8.84	280.80	10.52	303.94	11.13	311.14	10.68	
30	181.80	6.57	211.50	7.79	241.80	9.04	280.80	10.77	298.80	11.06	306.00	10.60	
35	181.80	6.73	211.50	7.98	241.80	9.26	280.80	11.03	294.30	10.98	301.50	10.51	
40	181.80	6.88	211.50	8.16	241.80	9.49	280.80	11.29	289.80	10.90	297.00	10.42	
45	181.80	7.05	211.50	8.38	241.80	9.74	276.30	11.26	284.40	10.81	291.60	10.33	
50	181.80	7.22	211.50	8.59	241.80	9.99	271.80	11.22	279.00	10.73	286.20	10.23	
55	181.80	7.41	211.50	8.81	241.80	10.24	267.30	11.14	274.50	10.71	281.70	10.50	
60	181.80	7.61	211.50	9.05	241.80	10.52	262.80	11.25	270.00	11.19	277.20	11.31	
65	181.80	7.93	211.50	9.50	240.90	11.29	254.25	12.09	262.80	12.48	270.00	12.62	
70	181.80	8.12	211.50	10.08	238.20	11.96	252.00	12.67	259.20	12.81	266.40	12.95	
75	181.80	8.91	211.50	11.09	235.80	12.85	248.40	13.47	255.60	13.63	262.80	13.77	
80	181.80	9.77	211.50	12.18	231.60	13.77	242.10	14.28	249.98	14.45	257.85	14.60	
85	181.80	10.70	211.50	13.36	228.60	14.72	237.60	15.09	244.80	15.28	252.00	15.45	
90	181.80	11.69	211.50	14.57	225.60	15.69	233.10	15.91	240.30	16.10	247.50	16.27	
95	181.80	12.74	208.80	15.51	221.40	16.53	228.60	16.73	234.90	16.92	235.80	16.97	
100	181.80	13.91	204.08	16.42	215.10	17.36	223.20	17.53	224.55	17.56	224.55	17.56	
105	181.80	15.30	201.15	17.51	210.40	18.36	213.00	18.42	213.00	18.42	213.00	18.42	
110	181.80	17.06	195.30	18.77	199.80	19.34	199.80	19.34	199.80	19.34	201.60	19.34	
115	172.80	19.52	173.07	19.52	173.40	19.64	173.88	19.69	174.42	19.69	174.96	19.69	
118	148.61	17.79	148.84	17.79	149.12	17.90	149.54	17.95	150.00	17.95	150.47	17.95	
122	127.80	16.19	128.00	16.19	128.25	16.29	128.60	16.34	129.00	16.34	129.40	16.34	
125	109.91	14.73	110.08	14.73	110.29	14.82	110.60	14.87	110.94	14.87	111.28	14.87	
5	168.12	5.65	195.93	6.68	223.20	7.74	259.20	9.21	293.27	10.60	305.74	10.57	
14	168.12	5.77	195.93	6.82	223.20	7.90	259.20	9.40	293.27	10.81	305.74	10.78	
25	168.12	5.89	195.93	6.96	223.20	8.06	259.20	9.59	293.27	11.03	305.74	11.00	
30	168.12	6.01	195.93	7.11	223.20	8.24	259.20	9.81	290.70	11.13	300.60	10.93	
35	168.12	6.15	195.93	7.28	223.20	8.45	259.20	10.06	287.55	11.16	296.10	10.84	
40	168.12	6.29	195.93	7.45	223.20	8.66	259.20	10.30	284.40	11.20	291.60	10.75	
45	168.12	6.45	195.93	7.64	223.20	8.87	259.20	10.57	279.90	11.12	286.20	10.67	
50	168.12	6.61	195.93	7.83	223.20	9.09	259.20	10.84	275.40	11.04	280.80	10.58	
55	168.12	6.78	195.93	8.04	223.20	9.34	259.20	11.12	269.78	10.96	276.30	10.61	
60	168.12	6.95	195.93	8.25	223.20	9.59	257.40	11.31	264.60	11.18	271.80	11.23	
65	168.12	7.25	195.93	8.61	223.20	10.13	250.20	11.82	257.40	12.32	264.60	12.52	
70	168.12	7.34	195.93	9.00	223.20	10.84	248.40	12.60	255.60	12.72	262.80	12.84	
75	168.12	7.98	195.93	9.88	223.20	11.94	243.00	13.40	250.20	13.52	257.40	13.66	
80	168.12	8.74	195.93	10.84	222.90	13.10	238.50	14.19	245.70	14.35	252.90	14.49	
85	168.12	9.56	195.93	11.87	220.80	14.13	234.00	15.00	241.20	15.16	247.50	15.32	
90	168.12	10.43	195.93	12.99	217.80	15.07	229.50	15.80	235.35	15.98	242.10	16.16	
95	168.12	11.36	195.93	14.17	214.80	16.03	223.20	16.70	230.40	16.84	235.80	16.97	
100	168.12	12.40	195.93	15.49	210.60	17.03	218.70	17.44	223.88	17.56	224.55	17.56	
105	168.12	13.62	195.03	16.90	207.60	18.16	212.40	18.42	213.00	18.42	213.00	18.42	
110	168.12	15.18	191.88	18.30	199.80	19.34	199.80	19.34	199.80	19.34	201.60	19.34	
115	168.12	16.89	171.90	18.86	173.40	19.64	173.88	19.69	174.42	19.69	174.96	19.69	
118	148.61	15.82	148.84	17.31	149.12	17.90	149.54	17.95	150.00	17.95	150.47	17.95	

Connected Capacity Ratio	Outdoor air temp.	Indoor air temp.											
		DB /WB		DB /WB		DB /WB		DB /WB		DB /WB		DB /WB	
		67° F	57° F	71° F	60° F	75° F	63° F	80° F	67° F	85° F	71° F	90° F	75° F
		Tc	PI	Tc	PI	Tc	PI	Tc	PI	Tc	PI	Tc	PI
°F DB	MBH	kW	MBH	kW	MBH	kW	MBH	kW	MBH	kW	MBH	kW	
110	122	127.80	14.40	128.00	15.75	128.25	16.29	128.60	16.34	129.00	16.34	129.40	16.34
	125	109.91	13.10	110.08	14.33	110.29	14.82	110.60	14.87	110.94	14.87	111.28	14.87
	5	154.26	5.15	178.97	6.06	204.00	7.01	237.60	8.33	270.90	9.69	300.34	10.87
	14	154.26	5.25	178.97	6.19	204.00	7.15	237.60	8.50	270.90	9.89	300.34	11.09
	25	154.26	5.36	178.97	6.31	204.00	7.30	237.60	8.67	270.90	10.09	300.34	11.32
	30	154.26	5.47	178.97	6.45	204.00	7.46	237.60	8.87	270.90	10.33	295.20	11.24
	35	154.26	5.60	178.97	6.61	204.00	7.65	237.60	9.09	270.90	10.59	290.70	11.17
	40	154.26	5.73	178.97	6.77	204.00	7.83	237.60	9.31	270.90	10.84	286.20	11.10
	45	154.26	5.86	178.97	6.93	204.00	8.03	237.60	9.55	269.10	10.98	281.70	11.01
	50	154.26	6.00	178.97	7.09	204.00	8.23	237.60	9.79	267.30	11.12	277.20	10.93
	55	154.26	6.15	178.97	7.28	204.00	8.44	237.60	10.06	264.83	11.21	270.90	10.85
	60	154.26	6.31	178.97	7.47	204.00	8.67	237.60	10.33	260.55	11.30	266.40	11.14
	65	154.26	6.57	178.97	7.80	204.00	9.05	237.60	11.03	252.23	11.95	259.20	12.43
	70	154.26	6.66	178.97	8.00	204.00	9.56	237.60	11.90	250.20	12.64	257.40	12.76
	75	154.26	7.09	178.97	8.74	204.00	10.51	237.60	13.12	245.70	13.44	252.00	13.56
	80	154.26	7.77	178.97	9.58	204.00	11.53	234.90	14.10	240.98	14.24	247.50	14.38
	85	154.26	8.49	178.97	10.48	204.00	12.64	230.40	14.91	235.80	15.05	243.00	15.20
	90	154.26	9.25	178.97	11.45	204.00	13.82	224.55	15.70	231.30	15.86	237.15	16.02
	95	154.26	10.07	178.97	12.49	204.00	15.11	219.60	16.65	226.80	16.76	232.20	16.85
	100	154.26	10.98	178.97	13.63	202.20	16.28	215.10	17.32	221.18	17.49	224.55	17.56
105	154.26	12.04	178.97	14.99	199.60	17.44	210.00	18.24	213.00	18.42	213.00	18.42	
110	154.26	13.40	178.97	16.68	195.60	18.82	199.80	19.34	199.80	19.34	201.60	19.34	
115	154.26	14.90	168.44	18.36	173.40	19.64	173.88	19.69	174.42	19.69	174.96	19.69	
118	148.61	15.22	148.84	17.20	149.12	17.90	149.54	17.95	150.00	17.95	150.47	17.95	
122	127.80	13.85	128.00	15.65	128.25	16.29	128.60	16.34	129.00	16.34	129.40	16.34	
125	109.91	12.60	110.08	14.24	110.29	14.82	110.60	14.87	110.94	14.87	111.28	14.87	
100	5	140.22	4.67	162.90	5.47	185.22	6.30	216.00	7.46	246.60	8.68	277.20	9.93
	14	140.22	4.77	162.90	5.58	185.22	6.43	216.00	7.62	246.60	8.86	277.20	10.14
	25	140.22	4.87	162.90	5.70	185.22	6.56	216.00	7.77	246.60	9.04	277.20	10.34
	30	140.22	4.97	162.90	5.82	185.22	6.70	216.00	7.95	246.60	9.25	277.20	10.58
	35	140.22	5.07	162.90	5.95	185.22	6.87	216.00	8.15	246.60	9.48	277.20	10.84
	40	140.22	5.18	162.90	6.09	185.22	7.03	216.00	8.35	246.60	9.71	277.20	11.10
	45	140.22	5.30	162.90	6.24	185.22	7.21	216.00	8.56	246.60	9.96	274.50	11.19
	50	140.22	5.42	162.90	6.39	185.22	7.38	216.00	8.77	246.60	10.21	271.80	11.28
	55	140.22	5.55	162.90	6.54	185.22	7.57	216.00	9.01	246.60	10.48	266.85	11.19
	60	140.22	5.69	162.90	6.72	185.22	7.78	216.00	9.25	246.60	10.77	261.00	11.27
	65	140.22	5.93	162.90	7.00	185.22	8.11	216.00	9.65	245.93	11.54	253.80	12.03
	70	140.22	6.00	162.90	7.08	185.22	8.36	216.00	10.33	243.00	12.29	252.00	12.65
	75	140.22	6.27	162.90	7.66	185.22	9.17	216.00	11.38	241.20	13.29	246.60	13.45
	80	140.22	6.85	162.90	8.39	185.22	10.05	216.00	12.50	236.48	14.14	242.10	14.26
	85	140.22	7.48	162.90	9.18	185.22	11.01	216.00	13.71	231.30	14.94	237.60	15.07
	90	140.22	8.14	162.90	10.02	185.22	12.03	216.00	15.00	226.80	15.75	231.75	15.89
	95	140.22	8.85	162.90	10.91	185.22	13.12	216.00	16.60	221.40	16.65	226.80	16.71
	100	140.22	9.63	162.90	11.88	185.22	14.32	211.50	17.18	216.90	17.37	221.85	17.52
	105	140.22	10.57	162.90	13.06	185.22	15.76	206.40	18.18	211.20	18.33	213.00	18.42
	110	140.22	11.75	162.90	14.54	185.22	17.59	199.80	19.34	199.80	19.34	201.60	19.34
115	140.22	13.04	162.90	16.19	172.50	18.87	173.88	19.69	174.42	19.69	174.96	19.69	
118	140.22	13.82	143.35	15.10	149.12	17.30	149.54	17.95	150.00	17.95	150.47	17.95	
122	120.59	12.57	123.28	13.74	128.25	15.74	128.60	16.34	129.00	16.34	129.40	16.34	
125	103.71	11.44	106.02	12.50	110.29	14.32	110.60	14.87	110.94	14.87	111.28	14.87	
90	5	126.18	4.20	146.57	4.90	167.04	5.62	194.40	6.62	221.40	7.69	248.40	8.79
	14	126.18	4.29	146.57	5.00	167.04	5.73	194.40	6.76	221.40	7.85	248.40	8.97
	25	126.18	4.37	146.57	5.10	167.04	5.85	194.40	6.90	221.40	8.01	248.40	9.15
	30	126.18	4.46	146.57	5.21	167.04	5.98	194.40	7.06	221.40	8.20	248.40	9.38
	35	126.18	4.56	146.57	5.32	167.04	6.12	194.40	7.23	221.40	8.40	248.40	9.60
	40	126.18	4.65	146.57	5.44	167.04	6.26	194.40	7.41	221.40	8.60	248.40	9.83
	45	126.18	4.76	146.57	5.57	167.04	6.41	194.40	7.59	221.40	8.82	248.40	10.08
	50	126.18	4.86	146.57	5.70	167.04	6.56	194.40	7.77	221.40	9.04	248.40	10.33
	55	126.18	4.97	146.57	5.83	167.04	6.72	194.40	7.97	221.40	9.28	248.40	10.62
	60	126.18	5.09	146.57	5.98	167.04	6.90	194.40	8.19	221.40	9.53	248.40	10.90
	65	126.18	5.30	146.57	6.23	167.04	7.18	194.40	8.54	221.40	10.01	248.40	11.77
	70	126.18	5.35	146.57	6.30	167.04	7.28	194.40	8.89	221.40	10.75	246.60	12.57
	75	126.18	5.51	146.57	6.67	167.04	7.92	194.40	9.76	221.40	11.83	241.20	13.35
	80	126.18	6.00	146.57	7.29	167.04	8.68	194.40	10.72	221.40	13.00	236.70	14.16
	85	126.18	6.54	146.57	7.96	167.04	9.49	194.40	11.74	220.95	14.19	232.20	14.95
	90	126.18	7.11	146.57	8.67	167.04	10.35	194.40	12.83	218.48	15.27	227.70	15.76
	95	126.18	7.72	146.57	9.43	167.04	11.28	194.40	14.01	216.00	16.37	221.40	16.57
	100	126.18	8.38	146.57	10.27	167.04	12.30	194.40	15.30	212.40	17.22	216.90	17.40
	105	126.18	9.18	146.57	11.27	167.04	13.52	194.40	16.84	207.30	18.21	211.80	18.42
	110	126.18	10.20	146.57	12.53	167.04	15.06	194.40	18.82	199.80	19.34	201.60	19.34
115	126.18	11.29	146.57	13.92	166.80	18.06	173.88	19.69	174.42	19.69	174.96	19.69	

Connected Capacity Ratio	Outdoor air temp.	Indoor air temp.											
		DB /WB		DB /WB		DB /WB		DB /WB		DB /WB		DB /WB	
		67°F	57°F	71°F	60°F	75°F	63°F	80°F	67°F	85°F	71°F	90°F	75°F
		Tc	PI	Tc	PI	Tc	PI	Tc	PI	Tc	PI	Tc	PI
°F DB	MBH	kW	MBH	kW	MBH	kW	MBH	kW	MBH	kW	MBH	kW	
80	118	126.18	11.97	143.35	14.43	145.12	16.66	149.54	17.95	150.00	17.95	150.47	17.95
	122	108.51	10.89	123.28	13.13	124.80	15.16	128.60	16.34	129.00	16.34	129.40	16.34
	125	93.32	9.91	106.02	11.95	107.33	13.79	110.60	14.87	110.94	14.87	111.28	14.87
	5	112.14	3.76	130.37	4.34	148.56	4.96	172.80	5.82	197.10	6.73	221.40	7.67
	14	112.14	3.83	130.37	4.43	148.56	5.06	172.80	5.94	197.10	6.87	221.40	7.83
	25	112.14	3.91	130.37	4.52	148.56	5.16	172.80	6.06	197.10	7.01	221.40	7.99
	30	112.14	3.97	130.37	4.61	148.56	5.27	172.80	6.19	197.10	7.17	221.40	8.17
	35	112.14	4.06	130.37	4.71	148.56	5.39	172.80	6.33	197.10	7.34	221.40	8.37
	40	112.14	4.15	130.37	4.81	148.56	5.51	172.80	6.48	197.10	7.51	221.40	8.57
	45	112.14	4.23	130.37	4.92	148.56	5.64	172.80	6.65	197.10	7.70	221.40	8.80
	50	112.14	4.32	130.37	5.03	148.56	5.76	172.80	6.81	197.10	7.89	221.40	9.03
	55	112.14	4.41	130.37	5.15	148.56	5.91	172.80	6.98	197.10	8.10	221.40	9.27
	60	112.14	4.52	130.37	5.27	148.56	6.06	172.80	7.16	197.10	8.32	221.40	9.52
	65	112.14	4.70	130.37	5.48	148.56	6.32	172.80	7.45	197.10	8.68	221.40	9.99
	70	112.14	4.74	130.37	5.55	148.56	6.39	172.80	7.56	197.10	9.06	221.40	10.72
	75	112.14	4.86	130.37	5.76	148.56	6.77	172.80	8.28	197.10	9.97	221.40	11.80
	80	112.14	5.21	130.37	6.27	148.56	7.40	172.80	9.07	197.10	10.93	221.40	12.97
	85	112.14	5.66	130.37	6.83	148.56	8.09	172.80	9.93	197.10	11.98	221.40	14.22
	90	112.14	6.16	130.37	7.44	148.56	8.82	172.80	10.83	197.10	13.09	221.40	15.53
	95	112.14	6.67	130.37	8.07	148.56	9.59	172.80	11.82	197.10	14.30	221.40	16.43
100	112.14	7.23	130.37	8.77	148.56	10.44	172.80	12.88	197.10	15.62	221.40	17.25	
105	112.14	7.89	130.37	9.61	148.56	11.45	172.80	14.16	197.10	17.17	221.40	18.24	
110	112.14	8.75	130.37	10.67	148.56	12.74	172.80	15.79	197.10	18.82	221.40	19.34	
115	112.14	9.69	130.37	11.83	148.56	14.15	172.80	17.60	197.10	19.69	221.40	19.69	
118	112.14	10.27	130.37	12.54	145.12	14.65	149.54	16.15	150.00	17.95	150.47	17.95	
122	96.44	9.35	112.11	11.41	124.80	13.33	128.60	14.69	129.00	16.34	129.40	16.34	
125	82.94	8.51	96.42	10.39	107.33	12.13	110.60	13.37	110.94	14.87	111.28	14.87	
70	5	98.10	3.32	114.03	3.81	130.02	4.33	151.20	5.05	172.35	5.80	194.40	6.60
	14	98.10	3.39	114.03	3.89	130.02	4.42	151.20	5.15	172.35	5.92	194.40	6.74
	25	98.10	3.46	114.03	3.97	130.02	4.51	151.20	5.26	172.35	6.04	194.40	6.87
	30	98.10	3.52	114.03	4.04	130.02	4.59	151.20	5.37	172.35	6.19	194.40	7.02
	35	98.10	3.59	114.03	4.13	130.02	4.69	151.20	5.49	172.35	6.33	194.40	7.20
	40	98.10	3.66	114.03	4.22	130.02	4.79	151.20	5.61	172.35	6.47	194.40	7.37
	45	98.10	3.73	114.03	4.31	130.02	4.91	151.20	5.74	172.35	6.63	194.40	7.55
	50	98.10	3.80	114.03	4.40	130.02	5.02	151.20	5.87	172.35	6.79	194.40	7.74
	55	98.10	3.89	114.03	4.49	130.02	5.13	151.20	6.03	172.35	6.96	194.40	7.94
	60	98.10	3.97	114.03	4.60	130.02	5.25	151.20	6.18	172.35	7.15	194.40	8.16
	65	98.10	4.11	114.03	4.78	130.02	5.46	151.20	6.44	172.35	7.45	194.40	8.50
	70	98.10	4.15	114.03	4.83	130.02	5.53	151.20	6.50	172.35	7.56	194.40	8.84
	75	98.10	4.25	114.03	4.95	130.02	5.72	151.20	6.92	172.35	8.26	194.40	9.71
	80	98.10	4.47	114.03	5.32	130.02	6.23	151.20	7.58	172.35	9.05	194.40	10.66
	85	98.10	4.86	114.03	5.80	130.02	6.80	151.20	8.27	172.35	9.89	194.40	11.68
	90	98.10	5.27	114.03	6.29	130.02	7.40	151.20	9.01	172.35	10.80	194.40	12.76
	95	98.10	5.70	114.03	6.82	130.02	8.03	151.20	9.81	172.35	11.79	194.40	13.92
	100	98.10	6.16	114.03	7.40	130.02	8.73	151.20	10.67	172.35	12.84	194.40	15.21
	105	98.10	6.72	114.03	8.08	130.02	9.56	151.20	11.71	172.35	14.13	194.40	16.75
	110	98.10	7.44	114.03	8.97	130.02	10.62	151.20	13.04	172.35	15.75	194.40	18.65
115	98.10	8.21	114.03	9.92	130.02	11.77	151.20	14.48	170.82	18.21	174.96	19.69	
118	98.10	8.70	114.03	10.52	130.02	12.48	136.08	13.82	150.00	16.95	150.47	17.95	
122	84.37	7.92	98.07	9.57	111.82	11.35	117.03	12.57	129.00	15.43	129.40	16.34	
125	72.55	7.21	84.34	8.71	96.16	10.33	100.64	11.44	110.94	14.04	111.28	14.87	
60	5	84.06	2.91	97.70	3.32	111.36	3.74	129.60	4.32	147.78	4.93	165.96	5.57
	14	84.06	2.97	97.70	3.39	111.36	3.81	129.60	4.41	147.78	5.03	165.96	5.68
	25	84.06	3.03	97.70	3.46	111.36	3.89	129.60	4.50	147.78	5.13	165.96	5.80
	30	84.06	3.08	97.70	3.52	111.36	3.96	129.60	4.58	147.78	5.24	165.96	5.93
	35	84.06	3.15	97.70	3.58	111.36	4.04	129.60	4.68	147.78	5.35	165.96	6.06
	40	84.06	3.21	97.70	3.65	111.36	4.11	129.60	4.78	147.78	5.47	165.96	6.20
	45	84.06	3.27	97.70	3.73	111.36	4.20	129.60	4.89	147.78	5.60	165.96	6.35
	50	84.06	3.33	97.70	3.80	111.36	4.29	129.60	5.00	147.78	5.73	165.96	6.50
	55	84.06	3.38	97.70	3.88	111.36	4.39	129.60	5.11	147.78	5.88	165.96	6.67
	60	84.06	3.46	97.70	3.96	111.36	4.50	129.60	5.24	147.78	6.03	165.96	6.85
	65	84.06	3.56	97.70	4.10	111.36	4.66	129.60	5.44	147.78	6.28	165.96	7.14
	70	84.06	3.61	97.70	4.14	111.36	4.71	129.60	5.51	147.78	6.35	165.96	7.22
	75	84.06	3.68	97.70	4.24	111.36	4.83	129.60	5.68	147.78	6.72	165.96	7.84
	80	84.06	3.81	97.70	4.46	111.36	5.18	129.60	6.21	147.78	7.35	165.96	8.59
	85	84.06	4.12	97.70	4.85	111.36	5.63	129.60	6.76	147.78	8.02	165.96	9.38
	90	84.06	4.45	97.70	5.26	111.36	6.12	129.60	7.35	147.78	8.74	165.96	10.24
	95	84.06	4.81	97.70	5.69	111.36	6.63	129.60	8.00	147.78	9.52	165.96	11.15
	100	84.06	5.18	97.70	6.15	111.36	7.18	129.60	8.68	147.78	10.35	165.96	12.16
	105	84.06	5.64	97.70	6.70	111.36	7.84	129.60	9.51	147.78	11.36	165.96	13.36
	110	84.06	6.22	97.70	7.41	111.36	8.69	129.60	10.56	147.78	12.63	165.96	14.90

Connected Capacity Ratio	Outdoor air temp.	Indoor air temp.											
		DB /WB		DB /WB		DB /WB		DB /WB		DB /WB		DB /WB	
		67°F	57°F	71°F	60°F	75°F	63°F	80°F	67°F	85°F	71°F	90°F	75°F
		Tc	PI	Tc	PI	Tc	PI	Tc	PI	Tc	PI	Tc	PI
°F DB	MBH	kW	MBH	kW	MBH	kW	MBH	kW	MBH	kW	MBH	kW	
50	115	84.06	6.85	97.70	8.20	111.36	9.62	129.60	11.71	147.78	14.04	165.96	16.57
	118	84.06	7.26	97.70	8.69	111.36	10.20	129.60	12.41	135.96	13.69	150.47	15.93
	122	72.29	6.61	84.02	7.91	95.77	9.28	111.46	11.30	116.92	12.46	129.40	14.49
	125	62.17	6.01	72.26	7.19	82.36	8.44	95.85	10.28	100.55	11.34	111.28	13.19
	5	70.02	2.51	81.36	2.83	92.70	3.15	108.00	3.59	123.21	4.05	137.52	4.54
	14	70.02	2.56	81.36	2.88	92.70	3.21	108.00	3.66	123.21	4.13	137.52	4.63
	25	70.02	2.61	81.36	2.94	92.70	3.28	108.00	3.74	123.21	4.22	137.52	4.73
	30	70.02	2.65	81.36	2.99	92.70	3.33	108.00	3.80	123.21	4.29	137.52	4.83
	35	70.02	2.70	81.36	3.03	92.70	3.38	108.00	3.87	123.21	4.38	137.52	4.93
	40	70.02	2.75	81.36	3.08	92.70	3.43	108.00	3.94	123.21	4.47	137.52	5.04
	45	70.02	2.81	81.36	3.14	92.70	3.50	108.00	4.03	123.21	4.57	137.52	5.15
	50	70.02	2.86	81.36	3.20	92.70	3.57	108.00	4.13	123.21	4.68	137.52	5.26
	55	70.02	2.88	81.36	3.26	92.70	3.66	108.00	4.20	123.21	4.79	137.52	5.41
	60	70.02	2.95	81.36	3.32	92.70	3.74	108.00	4.30	123.21	4.91	137.52	5.54
	65	70.02	3.01	81.36	3.42	92.70	3.86	108.00	4.44	123.21	5.11	137.52	5.78
	70	70.02	3.07	81.36	3.46	92.70	3.88	108.00	4.51	123.21	5.14	137.52	5.59
	75	70.02	3.10	81.36	3.53	92.70	3.94	108.00	4.44	123.21	5.18	137.52	5.98
	80	70.02	3.15	81.36	3.61	92.70	4.12	108.00	4.84	123.21	5.64	137.52	6.53
	85	70.02	3.38	81.36	3.91	92.70	4.46	108.00	5.25	123.21	6.15	137.52	7.09
	90	70.02	3.63	81.36	4.22	92.70	4.83	108.00	5.69	123.21	6.68	137.52	7.72
	95	70.02	3.92	81.36	4.55	92.70	5.22	108.00	6.19	123.21	7.24	137.52	8.38
	100	70.02	4.21	81.36	4.89	92.70	5.63	108.00	6.69	123.21	7.85	137.52	9.12
	105	70.02	4.57	81.36	5.32	92.70	6.13	108.00	7.31	123.21	8.59	137.52	9.97
	110	70.02	5.00	81.36	5.85	92.70	6.76	108.00	8.09	123.21	9.52	137.52	11.15
	115	70.02	5.49	81.36	6.47	92.70	7.47	108.00	8.94	123.21	9.86	137.52	13.45
118	70.02	5.82	81.36	6.86	92.70	7.92	108.00	9.48	123.21	10.46	137.52	14.26	
122	60.22	5.30	69.97	6.24	79.72	7.21	92.88	8.62	105.96	9.51	118.27	12.98	
125	51.79	4.82	60.17	5.68	68.56	6.56	79.88	7.85	91.13	8.66	101.71	11.81	

Table 56 - 38VMA216HDL5-1, 38VMA216HDL6-1

Connected Capacity Ratio	Outdoor air temp.	Indoor air temp.											
		DB /WB		DB /WB		DB /WB		DB /WB		DB /WB		DB /WB	
		67°F	57°F	71°F	60°F	75°F	63°F	80°F	67°F	85°F	71°F	90°F	75°F
		Tc	PI	Tc	PI	Tc	PI	Tc	PI	Tc	PI	Tc	PI
°F DB	MBH	kW	MBH	kW	MBH	kW	MBH	kW	MBH	kW	MBH	kW	
135	5	202.00	6.95	235.00	8.23	268.67	9.56	312.00	11.38	337.71	12.04	345.71	11.56
	14	202.00	7.09	235.00	8.40	268.67	9.75	312.00	11.62	337.71	12.29	345.71	11.79
	25	202.00	7.23	235.00	8.57	268.67	9.95	312.00	11.85	337.71	12.54	345.71	12.03
	30	202.00	7.40	235.00	8.77	268.67	10.18	312.00	12.13	332.00	12.46	340.00	11.94
	35	202.00	7.58	235.00	8.98	268.67	10.43	312.00	12.43	327.00	12.37	335.00	11.84
	40	202.00	7.75	235.00	9.20	268.67	10.69	312.00	12.72	322.00	12.28	330.00	11.74
	45	202.00	7.94	235.00	9.44	268.67	10.97	307.00	12.68	316.00	12.18	324.00	11.63
	50	202.00	8.13	235.00	9.67	268.67	11.25	302.00	12.64	310.00	12.08	318.00	11.52
	55	202.00	8.35	235.00	9.92	268.67	11.53	297.00	12.55	305.00	12.06	313.00	11.82
	60	202.00	8.57	235.00	10.20	268.67	11.85	292.00	12.67	300.00	12.60	308.00	12.74
	65	202.00	8.94	235.00	10.70	267.67	12.71	282.50	13.62	292.00	14.06	300.00	14.22
	70	202.00	9.15	235.00	11.36	264.67	13.47	280.00	14.27	288.00	14.43	296.00	14.59
	75	202.00	10.03	235.00	12.49	262.00	14.48	276.00	15.18	284.00	15.35	292.00	15.51
	80	202.00	11.00	235.00	13.72	257.33	15.51	269.00	16.08	277.75	16.28	286.50	16.45
	85	202.00	12.05	235.00	15.05	254.00	16.59	264.00	17.00	272.00	17.21	280.00	17.40
	90	202.00	13.16	235.00	16.41	250.67	17.67	259.00	17.92	267.00	18.14	275.00	18.33
	95	202.00	14.35	232.00	17.47	246.00	18.62	254.00	18.85	261.00	19.06	262.00	19.12
	100	202.00	15.67	226.75	18.49	239.00	19.56	248.00	19.75	249.50	19.78	249.50	19.78
	105	202.00	17.24	223.50	19.72	233.78	20.68	236.67	20.74	236.67	20.74	236.67	20.74
	110	202.00	19.22	217.00	21.15	222.00	21.79	222.00	21.79	222.00	21.79	224.00	21.79
	115	192.00	21.99	192.30	21.99	192.67	22.12	193.20	22.18	193.80	22.18	194.40	22.18
	118	165.12	20.04	165.38	20.04	165.69	20.16	166.15	20.22	166.67	20.22	167.18	20.22
	122	142.00	18.24	142.23	18.24	142.50	18.35	142.89	18.40	143.33	18.40	143.78	18.40
	125	122.12	16.60	122.31	16.60	122.55	16.70	122.89	16.75	123.27	16.75	123.65	16.75
	120	5	186.80	6.37	217.70	7.53	248.00	8.72	288.00	10.37	325.86	11.94	339.71
14		186.80	6.50	217.70	7.68	248.00	8.89	288.00	10.58	325.86	12.18	339.71	12.15
25		186.80	6.63	217.70	7.84	248.00	9.08	288.00	10.80	325.86	12.43	339.71	12.39
30		186.80	6.77	217.70	8.01	248.00	9.29	288.00	11.05	323.00	12.54	334.00	12.31
35		186.80	6.93	217.70	8.20	248.00	9.52	288.00	11.33	319.50	12.57	329.00	12.21
40		186.80	7.09	217.70	8.40	248.00	9.75	288.00	11.60	316.00	12.61	324.00	12.11
45		186.80	7.26	217.70	8.61	248.00	10.00	288.00	11.91	311.00	12.53	318.00	12.01
50		186.80	7.44	217.70	8.82	248.00	10.24	288.00	12.21	306.00	12.44	312.00	11.92
55		186.80	7.64	217.70	9.06	248.00	10.52	288.00	12.53	299.75	12.34	307.00	11.95
60		186.80	7.83	217.70	9.30	248.00	10.80	286.00	12.74	294.00	12.59	302.00	12.65
65	186.80	8.16	217.70	9.70	248.00	11.41	278.00	13.32	286.00	13.88	294.00	14.11	

Connected Capacity Ratio	Outdoor air temp.	Indoor air temp.											
		DB /WB		DB /WB		DB /WB		DB /WB		DB /WB		DB /WB	
		67°F	57°F	71°F	60°F	75°F	63°F	80°F	67°F	85°F	71°F	90°F	75°F
		Tc	PI	Tc	PI	Tc	PI	Tc	PI	Tc	PI	Tc	PI
°F DB	MBH	kW	MBH	kW	MBH	kW	MBH	kW	MBH	kW	MBH	kW	
110	70	186.80	8.27	217.70	10.14	248.00	12.21	276.00	14.19	284.00	14.33	292.00	14.47
	75	186.80	8.99	217.70	11.13	248.00	13.45	270.00	15.10	278.00	15.23	286.00	15.39
	80	186.80	9.84	217.70	12.21	247.67	14.75	265.00	15.99	273.00	16.16	281.00	16.32
	85	186.80	10.77	217.70	13.37	245.33	15.92	260.00	16.89	268.00	17.08	275.00	17.26
	90	186.80	11.75	217.70	14.63	242.00	16.97	255.00	17.80	261.50	18.00	269.00	18.20
	95	186.80	12.80	217.70	15.97	238.67	18.06	248.00	18.82	256.00	18.97	262.00	19.12
	100	186.80	13.96	217.70	17.45	234.00	19.19	243.00	19.65	248.75	19.78	249.50	19.78
	105	186.80	15.34	216.70	19.04	230.67	20.46	236.00	20.74	236.67	20.74	236.67	20.74
	110	186.80	17.10	213.20	20.62	222.00	21.79	222.00	21.79	222.00	21.79	224.00	21.79
	115	186.80	19.02	191.00	21.25	192.67	22.12	193.20	22.18	193.80	22.18	194.40	22.18
	118	165.12	17.82	165.38	19.50	165.69	20.16	166.15	20.22	166.67	20.22	167.18	20.22
	122	142.00	16.22	142.23	17.75	142.50	18.35	142.89	18.40	143.33	18.40	143.78	18.40
	125	122.12	14.76	122.31	16.15	122.55	16.70	122.89	16.75	123.27	16.75	123.65	16.75
	5	171.40	5.80	198.85	6.83	226.67	7.90	264.00	9.38	301.00	10.92	333.71	12.24
	14	171.40	5.92	198.85	6.97	226.67	8.06	264.00	9.57	301.00	11.14	333.71	12.49
	25	171.40	6.04	198.85	7.11	226.67	8.22	264.00	9.77	301.00	11.37	333.71	12.75
	30	171.40	6.16	198.85	7.27	226.67	8.41	264.00	9.99	301.00	11.64	328.00	12.66
	35	171.40	6.31	198.85	7.45	226.67	8.62	264.00	10.24	301.00	11.93	323.00	12.58
	40	171.40	6.46	198.85	7.62	226.67	8.82	264.00	10.48	301.00	12.21	318.00	12.51
	45	171.40	6.61	198.85	7.81	226.67	9.04	264.00	10.76	299.00	12.37	313.00	12.41
	50	171.40	6.75	198.85	7.99	226.67	9.27	264.00	11.03	297.00	12.53	308.00	12.31
	55	171.40	6.93	198.85	8.20	226.67	9.51	264.00	11.33	294.25	12.63	301.00	12.22
	60	171.40	7.11	198.85	8.42	226.67	9.76	264.00	11.63	289.50	12.73	296.00	12.55
	65	171.40	7.41	198.85	8.79	226.67	10.19	264.00	12.42	280.25	13.47	288.00	14.01
	70	171.40	7.50	198.85	9.02	226.67	10.77	264.00	13.41	278.00	14.24	286.00	14.37
75	171.40	7.99	198.85	9.85	226.67	11.84	264.00	14.78	273.00	15.14	280.00	15.27	
80	171.40	8.76	198.85	10.79	226.67	12.99	261.00	15.89	267.75	16.04	275.00	16.20	
85	171.40	9.56	198.85	11.81	226.67	14.24	256.00	16.80	262.00	16.95	270.00	17.12	
90	171.40	10.42	198.85	12.89	226.67	15.57	249.50	17.69	257.00	17.87	263.50	18.05	
95	171.40	11.35	198.85	14.07	226.67	17.02	244.00	18.76	252.00	18.88	258.00	18.98	
100	171.40	12.36	198.85	15.35	224.67	18.34	239.00	19.51	245.75	19.71	249.50	19.78	
105	171.40	13.56	198.85	16.88	221.78	19.65	233.33	20.55	236.67	20.74	236.67	20.74	
110	171.40	15.10	198.85	18.79	217.33	21.20	222.00	21.79	222.00	21.79	224.00	21.79	
115	171.40	16.79	187.15	20.69	192.67	22.12	193.20	22.18	193.80	22.18	194.40	22.18	
118	165.12	17.14	165.38	19.38	165.69	20.16	166.15	20.22	166.67	20.22	167.18	20.22	
122	142.00	15.60	142.23	17.63	142.50	18.35	142.89	18.40	143.33	18.40	143.78	18.40	
125	122.12	14.19	122.31	16.05	122.55	16.70	122.89	16.75	123.27	16.75	123.65	16.75	
5	155.80	5.27	181.00	6.16	205.80	7.10	240.00	8.41	274.00	9.78	308.00	11.19	
14	155.80	5.37	181.00	6.29	205.80	7.25	240.00	8.58	274.00	9.98	308.00	11.42	
25	155.80	5.48	181.00	6.42	205.80	7.39	240.00	8.76	274.00	10.19	308.00	11.65	
30	155.80	5.60	181.00	6.55	205.80	7.55	240.00	8.95	274.00	10.42	308.00	11.92	
35	155.80	5.71	181.00	6.71	205.80	7.74	240.00	9.18	274.00	10.68	308.00	12.21	
40	155.80	5.83	181.00	6.86	205.80	7.92	240.00	9.40	274.00	10.94	308.00	12.51	
45	155.80	5.97	181.00	7.03	205.80	8.12	240.00	9.64	274.00	11.22	305.00	12.60	
50	155.80	6.11	181.00	7.20	205.80	8.32	240.00	9.88	274.00	11.50	302.00	12.70	
55	155.80	6.25	181.00	7.37	205.80	8.53	240.00	10.14	274.00	11.81	296.50	12.61	
60	155.80	6.41	181.00	7.57	205.80	8.76	240.00	10.41	274.00	12.13	290.00	12.69	
65	155.80	6.68	181.00	7.88	205.80	9.13	240.00	10.88	273.25	13.00	282.00	13.56	
70	155.80	6.75	181.00	7.98	205.80	9.42	240.00	11.64	270.00	13.84	280.00	14.25	
75	155.80	7.07	181.00	8.63	205.80	10.33	240.00	12.82	268.00	14.97	274.00	15.16	
80	155.80	7.72	181.00	9.46	205.80	11.32	240.00	14.09	262.75	15.93	269.00	16.06	
85	155.80	8.42	181.00	10.34	205.80	12.40	240.00	15.44	257.00	16.83	264.00	16.98	
90	155.80	9.17	181.00	11.28	205.80	13.55	240.00	16.90	252.00	17.74	257.50	17.90	
95	155.80	9.97	181.00	12.28	205.80	14.78	240.00	18.70	246.00	18.76	252.00	18.83	
100	155.80	10.85	181.00	13.38	205.80	16.13	235.00	19.36	241.00	19.57	246.50	19.74	
105	155.80	11.90	181.00	14.71	205.80	17.75	229.33	20.48	234.67	20.65	236.67	20.74	
110	155.80	13.23	181.00	16.38	205.80	19.82	222.00	21.79	222.00	21.79	224.00	21.79	
115	155.80	14.68	181.00	18.23	191.67	21.26	193.20	22.18	193.80	22.18	194.40	22.18	
118	155.80	15.57	159.28	17.01	165.69	19.48	166.15	20.22	166.67	20.22	167.18	20.22	
122	133.99	14.17	136.98	15.48	142.50	17.73	142.89	18.40	143.33	18.40	143.78	18.40	
125	115.23	12.89	117.80	14.08	122.55	16.13	122.89	16.75	123.27	16.75	123.65	16.75	
5	140.20	4.73	162.85	5.52	185.60	6.33	216.00	7.46	246.00	8.66	276.00	9.90	
14	140.20	4.83	162.85	5.63	185.60	6.46	216.00	7.61	246.00	8.84	276.00	10.10	
25	140.20	4.93	162.85	5.75	185.60	6.59	216.00	7.77	246.00	9.02	276.00	10.31	
30	140.20	5.03	162.85	5.87	185.60	6.73	216.00	7.95	246.00	9.24	276.00	10.56	
35	140.20	5.13	162.85	6.00	185.60	6.89	216.00	8.15	246.00	9.46	276.00	10.82	
40	140.20	5.24	162.85	6.13	185.60	7.05	216.00	8.34	246.00	9.69	276.00	11.07	
45	140.20	5.36	162.85	6.27	185.60	7.22	216.00	8.55	246.00	9.93	276.00	11.36	
50	140.20	5.48	162.85	6.42	185.60	7.39	216.00	8.76	246.00	10.18	276.00	11.64	
55	140.20	5.60	162.85	6.56	185.60	7.57	216.00	8.98	246.00	10.45	276.00	11.96	
60	140.20	5.73	162.85	6.73	185.60	7.77	216.00	9.23	246.00	10.73	276.00	12.28	

Connected Capacity Ratio	Outdoor air temp.	Indoor air temp.											
		DB /WB		DB /WB		DB /WB		DB /WB		DB /WB		DB /WB	
		67°F	57°F	71°F	60°F	75°F	63°F	80°F	67°F	85°F	71°F	90°F	75°F
		Tc	PI	Tc	PI	Tc	PI	Tc	PI	Tc	PI	Tc	PI
°F DB	MBH	kW	MBH	kW	MBH	kW	MBH	kW	MBH	kW	MBH	kW	
80	65	140.20	5.97	162.85	7.02	185.60	8.09	216.00	9.62	246.00	11.28	276.00	13.26
	70	140.20	6.03	162.85	7.10	185.60	8.21	216.00	10.01	246.00	12.11	274.00	14.15
	75	140.20	6.20	162.85	7.51	185.60	8.92	216.00	10.99	246.00	13.33	268.00	15.04
	80	140.20	6.76	162.85	8.21	185.60	9.78	216.00	12.08	246.00	14.65	263.00	15.95
	85	140.20	7.37	162.85	8.97	185.60	10.69	216.00	13.22	245.50	15.99	258.00	16.84
	90	140.20	8.01	162.85	9.77	185.60	11.66	216.00	14.45	242.75	17.21	253.00	17.76
	95	140.20	8.70	162.85	10.63	185.60	12.71	216.00	15.78	240.00	18.44	246.00	18.67
	100	140.20	9.44	162.85	11.57	185.60	13.86	216.00	17.23	236.00	19.40	241.00	19.60
	105	140.20	10.35	162.85	12.69	185.60	15.23	216.00	18.97	230.33	20.52	235.33	20.74
	110	140.20	11.48	162.85	14.12	185.60	16.96	216.00	21.20	222.00	21.79	224.00	21.79
	115	140.20	12.72	162.85	15.68	185.33	20.35	193.20	22.18	193.80	22.18	194.40	22.18
	118	140.20	13.49	159.28	16.26	161.24	18.76	166.15	20.22	166.67	20.22	167.18	20.22
	122	120.57	12.27	136.98	14.79	138.67	17.07	142.89	18.40	143.33	18.40	143.78	18.40
	125	103.69	11.17	117.80	13.46	119.25	15.54	122.89	16.75	123.27	16.75	123.65	16.75
	5	124.60	4.23	144.85	4.89	165.07	5.58	192.00	6.56	219.00	7.58	246.00	8.64
	14	124.60	4.32	144.85	4.99	165.07	5.70	192.00	6.69	219.00	7.74	246.00	8.82
	25	124.60	4.41	144.85	5.10	165.07	5.81	192.00	6.83	219.00	7.90	246.00	9.00
	30	124.60	4.48	144.85	5.20	165.07	5.94	192.00	6.97	219.00	8.08	246.00	9.21
	35	124.60	4.57	144.85	5.31	165.07	6.07	192.00	7.14	219.00	8.27	246.00	9.43
	40	124.60	4.67	144.85	5.42	165.07	6.21	192.00	7.30	219.00	8.46	246.00	9.66
45	124.60	4.77	144.85	5.54	165.07	6.35	192.00	7.49	219.00	8.68	246.00	9.91	
50	124.60	4.87	144.85	5.66	165.07	6.49	192.00	7.68	219.00	8.89	246.00	10.17	
55	124.60	4.97	144.85	5.80	165.07	6.66	192.00	7.86	219.00	9.13	246.00	10.44	
60	124.60	5.09	144.85	5.94	165.07	6.83	192.00	8.07	219.00	9.37	246.00	10.72	
65	124.60	5.29	144.85	6.18	165.07	7.12	192.00	8.40	219.00	9.78	246.00	11.25	
70	124.60	5.34	144.85	6.25	165.07	7.20	192.00	8.52	219.00	10.21	246.00	12.07	
75	124.60	5.48	144.85	6.49	165.07	7.63	192.00	9.33	219.00	11.23	246.00	13.29	
80	124.60	5.87	144.85	7.06	165.07	8.34	192.00	10.22	219.00	12.31	246.00	14.61	
85	124.60	6.38	144.85	7.70	165.07	9.11	192.00	11.18	219.00	13.49	246.00	16.02	
90	124.60	6.94	144.85	8.38	165.07	9.93	192.00	12.20	219.00	14.75	246.00	17.49	
95	124.60	7.52	144.85	9.09	165.07	10.80	192.00	13.31	219.00	16.11	242.00	18.51	
100	124.60	8.14	144.85	9.88	165.07	11.76	192.00	14.51	219.00	17.60	235.00	19.44	
105	124.60	8.89	144.85	10.82	165.07	12.90	192.00	15.95	219.00	19.35	230.67	20.55	
110	124.60	9.86	144.85	12.02	165.07	14.35	192.00	17.79	217.00	21.20	224.00	21.79	
115	124.60	10.92	144.85	13.33	165.07	15.94	192.00	19.83	193.80	22.18	194.40	22.18	
118	124.60	11.57	144.85	14.13	161.24	16.51	166.15	18.19	166.67	20.22	167.18	20.22	
122	107.16	10.53	124.57	12.86	138.67	15.02	142.89	16.55	143.33	18.40	143.78	18.40	
125	92.15	9.58	107.13	11.70	119.25	13.67	122.89	15.06	123.27	16.75	123.65	16.75	
5	109.00	3.74	126.70	4.30	144.47	4.88	168.00	5.69	191.50	6.54	216.00	7.44	
14	109.00	3.82	126.70	4.38	144.47	4.97	168.00	5.80	191.50	6.67	216.00	7.59	
25	109.00	3.90	126.70	4.47	144.47	5.08	168.00	5.92	191.50	6.81	216.00	7.74	
30	109.00	3.97	126.70	4.55	144.47	5.17	168.00	6.05	191.50	6.97	216.00	7.91	
35	109.00	4.04	126.70	4.66	144.47	5.28	168.00	6.18	191.50	7.13	216.00	8.11	
40	109.00	4.12	126.70	4.76	144.47	5.40	168.00	6.32	191.50	7.29	216.00	8.30	
45	109.00	4.20	126.70	4.86	144.47	5.53	168.00	6.47	191.50	7.47	216.00	8.51	
50	109.00	4.28	126.70	4.96	144.47	5.65	168.00	6.62	191.50	7.65	216.00	8.72	
55	109.00	4.38	126.70	5.06	144.47	5.77	168.00	6.79	191.50	7.85	216.00	8.94	
60	109.00	4.48	126.70	5.18	144.47	5.92	168.00	6.96	191.50	8.05	216.00	9.19	
65	109.00	4.63	126.70	5.39	144.47	6.16	168.00	7.25	191.50	8.40	216.00	9.58	
70	109.00	4.67	126.70	5.44	144.47	6.23	168.00	7.32	191.50	8.52	216.00	9.95	
75	109.00	4.79	126.70	5.57	144.47	6.45	168.00	7.79	191.50	9.31	216.00	10.94	
80	109.00	5.04	126.70	6.00	144.47	7.02	168.00	8.54	191.50	10.20	216.00	12.01	
85	109.00	5.48	126.70	6.53	144.47	7.66	168.00	9.32	191.50	11.15	216.00	13.15	
90	109.00	5.93	126.70	7.09	144.47	8.34	168.00	10.15	191.50	12.17	216.00	14.38	
95	109.00	6.42	126.70	7.69	144.47	9.05	168.00	11.05	191.50	13.28	216.00	15.69	
100	109.00	6.94	126.70	8.34	144.47	9.83	168.00	12.02	191.50	14.47	216.00	17.13	
105	109.00	7.56	126.70	9.11	144.47	10.77	168.00	13.19	191.50	15.91	216.00	18.87	
110	109.00	8.38	126.70	10.11	144.47	11.96	168.00	14.68	191.50	17.74	216.00	21.01	
115	109.00	9.25	126.70	11.18	144.47	13.26	168.00	16.31	189.80	20.52	194.40	22.18	
118	109.00	9.80	126.70	11.85	144.47	14.05	151.20	15.56	166.67	19.10	167.18	20.22	
122	93.74	8.92	108.96	10.78	124.24	12.79	130.03	14.16	143.33	17.38	143.78	18.40	
125	80.62	8.12	93.71	9.81	106.85	11.64	111.83	12.89	123.27	15.81	123.65	16.75	
5	93.40	3.28	108.55	3.74	123.73	4.21	144.00	4.86	164.20	5.55	184.40	6.28	
14	93.40	3.35	108.55	3.82	123.73	4.30	144.00	4.96	164.20	5.66	184.40	6.40	
25	93.40	3.42	108.55	3.89	123.73	4.38	144.00	5.07	164.20	5.78	184.40	6.53	
30	93.40	3.47	108.55	3.96	123.73	4.46	144.00	5.16	164.20	5.90	184.40	6.67	
35	93.40	3.54	108.55	4.04	123.73	4.55	144.00	5.27	164.20	6.03	184.40	6.83	
40	93.40	3.61	108.55	4.11	123.73	4.63	144.00	5.38	164.20	6.16	184.40	6.99	
45	93.40	3.68	108.55	4.20	123.73	4.73	144.00	5.51	164.20	6.31	184.40	7.16	
50	93.40	3.75	108.55	4.28	123.73	4.84	144.00	5.63	164.20	6.46	184.40	7.32	
55	93.40	3.81	108.55	4.37	123.73	4.95	144.00	5.76	164.20	6.62	184.40	7.52	

Connected Capacity Ratio	Outdoor air temp.	Indoor air temp.											
		DB /WB		DB /WB		DB /WB		DB /WB		DB /WB		DB /WB	
		67°F	57°F	71°F	60°F	75°F	63°F	80°F	67°F	85°F	71°F	90°F	75°F
		Tc	PI	Tc	PI	Tc	PI	Tc	PI	Tc	PI	Tc	PI
°F DB	MBH	kW	MBH	kW	MBH	kW	MBH	kW	MBH	kW	MBH	kW	
60	93.40	3.90	108.55	4.46	123.73	5.07	144.00	5.90	164.20	6.79	184.40	7.72	
65	93.40	4.01	108.55	4.62	123.73	5.25	144.00	6.13	164.20	7.07	184.40	8.04	
70	93.40	4.06	108.55	4.67	123.73	5.30	144.00	6.20	164.20	7.16	184.40	8.13	
75	93.40	4.14	108.55	4.78	123.73	5.44	144.00	6.40	164.20	7.57	184.40	8.83	
80	93.40	4.29	108.55	5.03	123.73	5.83	144.00	6.99	164.20	8.27	184.40	9.68	
85	93.40	4.64	108.55	5.47	123.73	6.34	144.00	7.62	164.20	9.04	184.40	10.57	
90	93.40	5.01	108.55	5.92	123.73	6.89	144.00	8.28	164.20	9.85	184.40	11.54	
95	93.40	5.42	108.55	6.41	123.73	7.47	144.00	9.01	164.20	10.72	184.40	12.56	
100	93.40	5.84	108.55	6.92	123.73	8.09	144.00	9.78	164.20	11.66	184.40	13.70	
105	93.40	6.35	108.55	7.55	123.73	8.84	144.00	10.71	164.20	12.80	184.40	15.05	
110	93.40	7.01	108.55	8.35	123.73	9.79	144.00	11.90	164.20	14.23	184.40	16.79	
115	93.40	7.72	108.55	9.23	123.73	10.84	144.00	13.19	164.20	15.81	184.40	18.67	
118	93.40	8.18	108.55	9.79	123.73	11.49	144.00	13.98	151.06	15.42	167.18	17.94	
122	80.32	7.44	93.35	8.91	106.41	10.45	123.84	12.73	129.92	14.03	143.78	16.33	
125	69.08	6.77	80.28	8.10	91.51	9.51	106.50	11.58	111.73	12.77	123.65	14.86	
5	77.80	2.83	90.40	3.18	103.00	3.54	120.00	4.04	136.90	4.56	152.80	5.12	
14	77.80	2.88	90.40	3.25	103.00	3.62	120.00	4.13	136.90	4.66	152.80	5.22	
25	77.80	2.94	90.40	3.31	103.00	3.69	120.00	4.21	136.90	4.75	152.80	5.33	
30	77.80	2.98	90.40	3.37	103.00	3.76	120.00	4.28	136.90	4.83	152.80	5.44	
35	77.80	3.04	90.40	3.42	103.00	3.81	120.00	4.36	136.90	4.93	152.80	5.56	
40	77.80	3.10	90.40	3.47	103.00	3.87	120.00	4.44	136.90	5.04	152.80	5.67	
45	77.80	3.16	90.40	3.54	103.00	3.94	120.00	4.54	136.90	5.15	152.80	5.80	
50	77.80	3.22	90.40	3.60	103.00	4.02	120.00	4.65	136.90	5.27	152.80	5.93	
55	77.80	3.24	90.40	3.68	103.00	4.13	120.00	4.74	136.90	5.40	152.80	6.10	
60	77.80	3.32	90.40	3.74	103.00	4.21	120.00	4.84	136.90	5.53	152.80	6.24	
65	77.80	3.40	90.40	3.86	103.00	4.35	120.00	5.00	136.90	5.75	152.80	6.51	
70	77.80	3.46	90.40	3.90	103.00	4.37	120.00	5.08	136.90	5.79	152.80	6.30	
75	77.80	3.49	90.40	3.98	103.00	4.44	120.00	5.01	136.90	5.83	152.80	6.73	
80	77.80	3.54	90.40	4.06	103.00	4.64	120.00	5.45	136.90	6.35	152.80	7.35	
85	77.80	3.81	90.40	4.40	103.00	5.03	120.00	5.92	136.90	6.93	152.80	7.99	
90	77.80	4.09	90.40	4.75	103.00	5.45	120.00	6.41	136.90	7.53	152.80	8.70	
95	77.80	4.42	90.40	5.12	103.00	5.88	120.00	6.97	136.90	8.16	152.80	9.44	
100	77.80	4.74	90.40	5.51	103.00	6.34	120.00	7.54	136.90	8.85	152.80	10.28	
105	77.80	5.14	90.40	6.00	103.00	6.90	120.00	8.23	136.90	9.68	152.80	11.24	
110	77.80	5.63	90.40	6.59	103.00	7.62	120.00	9.11	136.90	10.73	152.80	12.56	
115	77.80	6.18	90.40	7.29	103.00	8.42	120.00	10.07	136.90	11.11	152.80	15.16	
118	77.80	6.56	90.40	7.73	103.00	8.92	120.00	10.68	136.90	11.78	152.80	16.07	
122	66.91	5.97	77.74	7.03	88.58	8.12	103.20	9.71	117.73	10.72	131.41	14.62	
125	57.54	5.43	66.86	6.40	76.18	7.39	88.75	8.84	101.25	9.75	113.01	13.30	

50

Table 57 - 38VMA264HDS5-1, 38VMA264HDS6-1

Connected Capacity Ratio	Outdoor air temp.	Indoor air temp.											
		DB /WB		DB /WB		DB /WB		DB /WB		DB /WB		DB /WB	
		67°F	57°F	71°F	60°F	75°F	63°F	80°F	67°F	85°F	71°F	90°F	75°F
		Tc	PI	Tc	PI	Tc	PI	Tc	PI	Tc	PI	Tc	PI
°F DB	MBH	kW	MBH	kW	MBH	kW	MBH	kW	MBH	kW	MBH	kW	
135	5	222.20	8.99	258.50	10.65	295.53	12.37	343.20	14.73	371.49	15.59	380.29	14.96
	14	222.20	9.17	258.50	10.87	295.53	12.62	343.20	15.03	371.49	15.90	380.29	15.26
	25	222.20	9.36	258.50	11.09	295.53	12.88	343.20	15.34	371.49	16.23	380.29	15.57
	30	222.20	9.58	258.50	11.35	295.53	13.18	343.20	15.70	365.20	16.12	374.00	15.45
	35	222.20	9.81	258.50	11.63	295.53	13.50	343.20	16.08	359.70	16.01	368.50	15.32
	40	222.20	10.04	258.50	11.90	295.53	13.83	343.20	16.46	354.20	15.89	363.00	15.19
	45	222.20	10.28	258.50	12.21	295.53	14.19	337.70	16.41	347.60	15.76	356.40	15.05
	50	222.20	10.52	258.50	12.52	295.53	14.56	332.20	16.36	341.00	15.64	349.80	14.91
	55	222.20	10.80	258.50	12.84	295.53	14.93	326.70	16.24	335.50	15.61	344.30	15.30
	60	222.20	11.09	258.50	13.20	295.53	15.34	321.20	16.40	330.00	16.31	338.80	16.49
	65	222.20	11.57	258.50	13.84	294.43	16.45	310.75	17.63	321.20	18.20	330.00	18.40
	70	222.20	11.84	258.50	14.70	291.13	17.43	308.00	18.47	316.80	18.67	325.60	18.88
	75	222.20	12.98	258.50	16.16	288.20	18.73	303.60	19.64	312.40	19.87	321.20	20.07
	80	222.20	14.24	258.50	17.76	283.07	20.07	295.90	20.81	305.53	21.06	315.15	21.28
	85	222.20	15.60	258.50	19.48	279.40	21.46	290.40	22.00	299.20	22.27	308.00	22.52
90	222.20	17.04	258.50	21.24	275.73	22.87	284.90	23.19	293.70	23.48	302.50	23.72	
95	222.20	18.57	255.20	22.61	270.60	24.09	279.40	24.39	287.10	24.67	288.20	24.75	
100	222.20	20.27	249.43	23.93	262.90	25.31	272.80	25.56	274.45	25.60	274.45	25.60	
105	222.20	22.31	245.85	25.52	257.16	26.76	260.33	26.85	260.33	26.85	260.33	26.85	
110	222.20	24.87	238.70	27.37	244.20	28.20	244.20	28.20	244.20	28.20	246.40	28.20	
115	211.20	28.46	211.53	28.46	211.93	28.62	212.52	28.71	213.18	28.71	213.84	28.71	
118	181.63	25.94	181.92	25.94	182.26	26.09	182.77	26.17	183.33	26.17	183.90	26.17	
122	156.20	23.61	156.45	23.61	156.75	23.75	157.18	23.82	157.67	23.82	158.16	23.82	
125	134.34	21.48	134.54	21.48	134.80	21.61	135.17	21.67	135.59	21.67	136.01	21.67	
120	5	205.48	8.24	239.47	9.74	272.80	11.28	316.80	13.42	358.44	15.45	373.69	15.40
	14	205.48	8.41	239.47	9.94	272.80	11.51	316.80	13.70	358.44	15.76	373.69	15.72
	25	205.48	8.58	239.47	10.14	272.80	11.75	316.80	13.98	358.44	16.09	373.69	16.04
	30	205.48	8.77	239.47	10.37	272.80	12.02	316.80	14.30	355.30	16.22	367.40	15.93
	35	205.48	8.97	239.47	10.62	272.80	12.32	316.80	14.66	351.45	16.27	361.90	15.80
	40	205.48	9.17	239.47	10.87	272.80	12.62	316.80	15.02	347.60	16.32	356.40	15.68
	45	205.48	9.40	239.47	11.14	272.80	12.94	316.80	15.41	342.10	16.21	349.80	15.55
	50	205.48	9.63	239.47	11.42	272.80	13.25	316.80	15.80	336.60	16.09	343.20	15.42
	55	205.48	9.88	239.47	11.72	272.80	13.61	316.80	16.22	329.73	15.97	337.70	15.47
	60	205.48	10.14	239.47	12.03	272.80	13.98	314.60	16.49	323.40	16.30	332.20	16.37
	65	205.48	10.56	239.47	12.56	272.80	14.76	305.80	17.24	314.60	17.96	323.40	18.25
	70	205.48	10.70	239.47	13.12	272.80	15.80	303.60	18.37	312.40	18.55	321.20	18.72
	75	205.48	11.64	239.47	14.40	272.80	17.40	297.00	19.54	305.80	19.72	314.60	19.92
	80	205.48	12.73	239.47	15.80	272.43	19.09	291.50	20.69	300.30	20.92	309.10	21.13
	85	205.48	13.94	239.47	17.31	269.87	20.60	286.00	21.86	294.80	22.10	302.50	22.33
90	205.48	15.21	239.47	18.93	266.20	21.96	280.50	23.04	287.65	23.30	295.90	23.56	
95	205.48	16.57	239.47	20.66	262.53	23.37	272.80	24.35	281.60	24.55	288.20	24.75	
100	205.48	18.07	239.47	22.58	257.40	24.83	267.30	25.43	273.63	25.60	274.45	25.60	
105	205.48	19.85	238.37	24.64	253.73	26.47	259.60	26.85	260.33	26.85	260.33	26.85	
110	205.48	22.13	234.52	26.68	244.20	28.20	244.20	28.20	244.20	28.20	246.40	28.20	
115	205.48	24.62	210.10	27.50	211.93	28.62	212.52	28.71	213.18	28.71	213.84	28.71	
118	181.63	23.07	181.92	25.24	182.26	26.09	182.77	26.17	183.33	26.17	183.90	26.17	
122	156.20	20.99	156.45	22.96	156.75	23.75	157.18	23.82	157.67	23.82	158.16	23.82	
125	134.34	19.10	134.54	20.90	134.80	21.61	135.17	21.67	135.59	21.67	136.01	21.67	
110	5	188.54	7.50	218.74	8.84	249.33	10.22	290.40	12.14	331.10	14.13	367.09	15.84
	14	188.54	7.66	218.74	9.02	249.33	10.43	290.40	12.39	331.10	14.42	367.09	16.17
	25	188.54	7.81	218.74	9.20	249.33	10.64	290.40	12.64	331.10	14.71	367.09	16.50
	30	188.54	7.98	218.74	9.41	249.33	10.88	290.40	12.93	331.10	15.07	360.80	16.39
	35	188.54	8.17	218.74	9.64	249.33	11.15	290.40	13.25	331.10	15.43	355.30	16.29
	40	188.54	8.36	218.74	9.86	249.33	11.42	290.40	13.57	331.10	15.80	349.80	16.18
	45	188.54	8.55	218.74	10.10	249.33	11.70	290.40	13.92	328.90	16.01	344.30	16.06
	50	188.54	8.74	218.74	10.34	249.33	11.99	290.40	14.28	326.70	16.21	338.80	15.93
	55	188.54	8.96	218.74	10.61	249.33	12.30	290.40	14.66	323.68	16.34	331.10	15.82
	60	188.54	9.20	218.74	10.89	249.33	12.64	290.40	15.05	318.45	16.47	325.60	16.25
	65	188.54	9.58	218.74	11.37	249.33	13.19	290.40	16.08	308.28	17.43	316.80	18.13
	70	188.54	9.71	218.74	11.67	249.33	13.93	290.40	17.35	305.80	18.43	314.60	18.60
	75	188.54	10.34	218.74	12.74	249.33	15.32	290.40	19.13	300.30	19.59	308.00	19.77
	80	188.54	11.33	218.74	13.96	249.33	16.81	287.10	20.56	294.53	20.76	302.50	20.97
	85	188.54	12.37	218.74	15.28	249.33	18.42	281.60	21.74	288.20	21.94	297.00	22.15
90	188.54	13.49	218.74	16.69	249.33	20.15	274.45	22.89	282.70	23.12	289.85	23.36	
95	188.54	14.68	218.74	18.21	249.33	22.03	268.40	24.28	277.20	24.43	283.80	24.57	
100	188.54	16.00	218.74	19.87	247.13	23.74	262.90	25.25	270.33	25.50	274.45	25.60	
105	188.54	17.55	218.74	21.85	243.96	25.43	256.67	26.59	260.33	26.85	260.33	26.85	
110	188.54	19.54	218.74	24.32	239.07	27.44	244.20	28.20	244.20	28.20	246.40	28.20	
115	188.54	21.72	205.87	26.77	211.93	28.62	212.52	28.71	213.18	28.71	213.84	28.71	

Connected Capacity Ratio	Outdoor air temp.	Indoor air temp.											
		DB /WB		DB /WB		DB /WB		DB /WB		DB /WB		DB /WB	
		67°F	57°F	71°F	60°F	75°F	63°F	80°F	67°F	85°F	71°F	90°F	75°F
		Tc	PI	Tc	PI	Tc	PI	Tc	PI	Tc	PI	Tc	PI
	°F DB	MBH	kW	MBH	kW	MBH	kW	MBH	kW	MBH	kW	MBH	kW
100	118	181.63	22.18	181.92	25.08	182.26	26.09	182.77	26.17	183.33	26.17	183.90	26.17
	122	156.20	20.19	156.45	22.82	156.75	23.75	157.18	23.82	157.67	23.82	158.16	23.82
	125	134.34	18.37	134.54	20.77	134.80	21.61	135.17	21.67	135.59	21.67	136.01	21.67
	5	171.38	6.81	199.10	7.98	226.38	9.19	264.00	10.88	301.40	12.66	338.80	14.48
	14	171.38	6.95	199.10	8.14	226.38	9.38	264.00	11.10	301.40	12.92	338.80	14.78
	25	171.38	7.10	199.10	8.31	226.38	9.57	264.00	11.33	301.40	13.18	338.80	15.08
	30	171.38	7.24	199.10	8.48	226.38	9.77	264.00	11.59	301.40	13.49	338.80	15.42
	35	171.38	7.39	199.10	8.68	226.38	10.01	264.00	11.88	301.40	13.82	338.80	15.80
	40	171.38	7.55	199.10	8.88	226.38	10.26	264.00	12.17	301.40	14.15	338.80	16.18
	45	171.38	7.72	199.10	9.10	226.38	10.51	264.00	12.47	301.40	14.52	335.50	16.31
	50	171.38	7.90	199.10	9.31	226.38	10.76	264.00	12.78	301.40	14.89	332.20	16.44
	55	171.38	8.09	199.10	9.54	226.38	11.04	264.00	13.13	301.40	15.29	326.15	16.32
	60	171.38	8.30	199.10	9.79	226.38	11.34	264.00	13.48	301.40	15.69	319.00	16.43
	65	171.38	8.65	199.10	10.20	226.38	11.82	264.00	14.08	300.58	16.82	310.20	17.54
	70	171.38	8.74	199.10	10.32	226.38	12.19	264.00	15.07	297.00	17.91	308.00	18.45
	75	171.38	9.15	199.10	11.17	226.38	13.36	264.00	16.59	294.80	19.37	301.40	19.61
	80	171.38	9.98	199.10	12.24	226.38	14.65	264.00	18.23	289.03	20.62	295.90	20.79
	85	171.38	10.90	199.10	13.38	226.38	16.05	264.00	19.98	282.70	21.79	290.40	21.98
	90	171.38	11.87	199.10	14.60	226.38	17.54	264.00	21.87	277.20	22.96	283.25	23.16
	95	171.38	12.91	199.10	15.90	226.38	19.13	264.00	24.20	270.60	24.28	277.20	24.36
100	171.38	14.04	199.10	17.32	226.38	20.88	258.50	25.05	265.10	25.33	271.15	25.54	
105	171.38	15.40	199.10	19.04	226.38	22.98	252.27	26.51	258.13	26.72	260.33	26.85	
110	171.38	17.12	199.10	21.20	226.38	25.64	244.20	28.20	244.20	28.20	246.40	28.20	
115	171.38	19.00	199.10	23.60	210.83	27.52	212.52	28.71	213.18	28.71	213.84	28.71	
118	171.38	20.14	175.21	22.01	182.26	25.21	182.77	26.17	183.33	26.17	183.90	26.17	
122	147.39	18.33	150.68	20.03	156.75	22.94	157.18	23.82	157.67	23.82	158.16	23.82	
125	126.75	16.68	129.58	18.23	134.80	20.88	135.17	21.67	135.59	21.67	136.01	21.67	
90	5	154.22	6.12	179.14	7.14	204.16	8.19	237.60	9.66	270.60	11.21	303.60	12.81
	14	154.22	6.25	179.14	7.29	204.16	8.36	237.60	9.85	270.60	11.44	303.60	13.08
	25	154.22	6.38	179.14	7.44	204.16	8.53	237.60	10.05	270.60	11.67	303.60	13.34
	30	154.22	6.50	179.14	7.59	204.16	8.71	237.60	10.29	270.60	11.95	303.60	13.67
	35	154.22	6.64	179.14	7.76	204.16	8.92	237.60	10.54	270.60	12.25	303.60	14.00
	40	154.22	6.78	179.14	7.93	204.16	9.12	237.60	10.80	270.60	12.54	303.60	14.33
	45	154.22	6.94	179.14	8.12	204.16	9.34	237.60	11.06	270.60	12.86	303.60	14.70
	50	154.22	7.09	179.14	8.31	204.16	9.56	237.60	11.33	270.60	13.17	303.60	15.07
	55	154.22	7.25	179.14	8.50	204.16	9.80	237.60	11.62	270.60	13.53	303.60	15.48
	60	154.22	7.42	179.14	8.71	204.16	10.06	237.60	11.94	270.60	13.89	303.60	15.89
	65	154.22	7.72	179.14	9.08	204.16	10.47	237.60	12.45	270.60	14.60	303.60	17.16
	70	154.22	7.80	179.14	9.19	204.16	10.62	237.60	12.96	270.60	15.68	301.40	18.32
	75	154.22	8.03	179.14	9.72	204.16	11.54	237.60	14.23	270.60	17.25	294.80	19.46
	80	154.22	8.75	179.14	10.63	204.16	12.65	237.60	15.63	270.60	18.96	289.30	20.64
	85	154.22	9.54	179.14	11.61	204.16	13.83	237.60	17.11	270.05	20.69	283.80	21.80
	90	154.22	10.37	179.14	12.64	204.16	15.09	237.60	18.71	267.03	22.27	278.30	22.98
	95	154.22	11.26	179.14	13.75	204.16	16.45	237.60	20.43	264.00	23.87	270.60	24.16
	100	154.22	12.22	179.14	14.97	204.16	17.93	237.60	22.30	259.60	25.11	265.10	25.37
	105	154.22	13.39	179.14	16.43	204.16	19.71	237.60	24.55	253.37	26.55	258.87	26.85
	110	154.22	14.86	179.14	18.27	204.16	21.95	237.60	27.44	244.20	28.20	246.40	28.20
115	154.22	16.46	179.14	20.29	203.87	26.33	212.52	28.71	213.18	28.71	213.84	28.71	
118	154.22	17.45	175.21	21.04	177.36	24.28	182.77	26.17	183.33	26.17	183.90	26.17	
122	132.63	15.88	150.68	19.15	152.53	22.10	157.18	23.82	157.67	23.82	158.16	23.82	
125	114.06	14.45	129.58	17.42	131.18	20.11	135.17	21.67	135.59	21.67	136.01	21.67	
80	5	137.06	5.48	159.34	6.33	181.57	7.23	211.20	8.49	240.90	9.81	270.60	11.18
	14	137.06	5.59	159.34	6.46	181.57	7.37	211.20	8.66	240.90	10.01	270.60	11.41
	25	137.06	5.70	159.34	6.59	181.57	7.52	211.20	8.84	240.90	10.22	270.60	11.64
	30	137.06	5.79	159.34	6.73	181.57	7.68	211.20	9.02	240.90	10.45	270.60	11.92
	35	137.06	5.92	159.34	6.87	181.57	7.86	211.20	9.24	240.90	10.70	270.60	12.21
	40	137.06	6.05	159.34	7.02	181.57	8.04	211.20	9.45	240.90	10.95	270.60	12.50
	45	137.06	6.17	159.34	7.17	181.57	8.22	211.20	9.69	240.90	11.23	270.60	12.83
	50	137.06	6.30	159.34	7.33	181.57	8.40	211.20	9.93	240.90	11.51	270.60	13.16
	55	137.06	6.43	159.34	7.51	181.57	8.61	211.20	10.17	240.90	11.81	270.60	13.51
	60	137.06	6.59	159.34	7.69	181.57	8.83	211.20	10.44	240.90	12.13	270.60	13.87
	65	137.06	6.85	159.34	8.00	181.57	9.21	211.20	10.87	240.90	12.66	270.60	14.56
	70	137.06	6.91	159.34	8.09	181.57	9.32	211.20	11.03	240.90	13.21	270.60	15.62
	75	137.06	7.09	159.34	8.40	181.57	9.87	211.20	12.07	240.90	14.53	270.60	17.20
	80	137.06	7.60	159.34	9.14	181.57	10.79	211.20	13.22	240.90	15.94	270.60	18.90
	85	137.06	8.26	159.34	9.96	181.57	11.79	211.20	14.47	240.90	17.46	270.60	20.73
	90	137.06	8.97	159.34	10.85	181.57	12.85	211.20	15.79	240.90	19.09	270.60	22.64
	95	137.06	9.73	159.34	11.77	181.57	13.97	211.20	17.23	240.90	20.85	266.20	23.96
	100	137.06	10.54	159.34	12.79	181.57	15.21	211.20	18.78	240.90	22.78	258.50	25.15
	105	137.06	11.51	159.34	14.01	181.57	16.69	211.20	20.65	240.90	25.04	253.73	26.59
	110	137.06	12.75	159.34	15.56	181.57	18.57	211.20	23.02	238.70	27.44	246.40	28.20

Connected Capacity Ratio	Outdoor air temp.	Indoor air temp.											
		DB /WB		DB /WB		DB /WB		DB /WB		DB /WB		DB /WB	
		67°F	57°F	71°F	60°F	75°F	63°F	80°F	67°F	85°F	71°F	90°F	75°F
		Tc	PI	Tc	PI	Tc	PI	Tc	PI	Tc	PI	Tc	PI
°F DB	MBH	kW	MBH	kW	MBH	kW	MBH	kW	MBH	kW	MBH	kW	
70	115	137.06	14.13	159.34	17.25	181.57	20.63	211.20	25.66	213.18	28.71	213.84	28.71
	118	137.06	14.97	159.34	18.29	177.36	21.36	182.77	23.54	183.33	26.17	183.90	26.17
	122	117.87	13.63	137.03	16.64	152.53	19.44	157.18	21.42	157.67	23.82	158.16	23.82
	125	101.37	12.40	117.84	15.14	131.18	17.69	135.17	19.49	135.59	21.67	136.01	21.67
	5	119.90	4.84	139.37	5.56	158.91	6.31	184.80	7.36	210.65	8.46	237.60	9.62
	14	119.90	4.94	139.37	5.67	158.91	6.44	184.80	7.51	210.65	8.63	237.60	9.82
	25	119.90	5.04	139.37	5.79	158.91	6.57	184.80	7.66	210.65	8.81	237.60	10.02
	30	119.90	5.13	139.37	5.89	158.91	6.69	184.80	7.83	210.65	9.02	237.60	10.24
	35	119.90	5.23	139.37	6.02	158.91	6.84	184.80	8.00	210.65	9.23	237.60	10.49
	40	119.90	5.34	139.37	6.15	158.91	6.99	184.80	8.18	210.65	9.44	237.60	10.75
	45	119.90	5.44	139.37	6.28	158.91	7.15	184.80	8.37	210.65	9.67	237.60	11.01
	50	119.90	5.54	139.37	6.42	158.91	7.32	184.80	8.56	210.65	9.90	237.60	11.28
	55	119.90	5.67	139.37	6.55	158.91	7.47	184.80	8.78	210.65	10.15	237.60	11.57
	60	119.90	5.79	139.37	6.71	158.91	7.66	184.80	9.01	210.65	10.42	237.60	11.89
	65	119.90	6.00	139.37	6.97	158.91	7.97	184.80	9.38	210.65	10.86	237.60	12.40
	70	119.90	6.05	139.37	7.04	158.91	8.06	184.80	9.48	210.65	11.03	237.60	12.88
	75	119.90	6.20	139.37	7.21	158.91	8.34	184.80	10.09	210.65	12.04	237.60	14.15
	80	119.90	6.52	139.37	7.76	158.91	9.09	184.80	11.05	210.65	13.20	237.60	15.54
	85	119.90	7.09	139.37	8.45	158.91	9.91	184.80	12.06	210.65	14.42	237.60	17.02
	90	119.90	7.68	139.37	9.17	158.91	10.79	184.80	13.14	210.65	15.75	237.60	18.60
95	119.90	8.31	139.37	9.95	158.91	11.71	184.80	14.30	210.65	17.19	237.60	20.30	
100	119.90	8.98	139.37	10.79	158.91	12.72	184.80	15.56	210.65	18.72	237.60	22.17	
105	119.90	9.79	139.37	11.78	158.91	13.94	184.80	17.07	210.65	20.59	237.60	24.42	
110	119.90	10.85	139.37	13.08	158.91	15.48	184.80	19.00	210.65	22.95	237.60	27.18	
115	119.90	11.97	139.37	14.46	158.91	17.16	184.80	21.11	208.78	26.55	213.84	28.71	
118	119.90	12.68	139.37	15.33	158.91	18.19	166.32	20.14	183.33	24.71	183.90	26.17	
122	103.11	11.54	119.86	13.95	136.67	16.55	143.04	18.33	157.67	22.49	158.16	23.82	
125	88.68	10.50	103.08	12.70	117.53	15.06	123.01	16.68	135.59	20.46	136.01	21.67	
5	102.74	4.25	119.41	4.84	136.11	5.45	158.40	6.30	180.62	7.18	202.84	8.12	
14	102.74	4.34	119.41	4.94	136.11	5.56	158.40	6.42	180.62	7.33	202.84	8.29	
25	102.74	4.42	119.41	5.04	136.11	5.67	158.40	6.55	180.62	7.48	202.84	8.46	
30	102.74	4.50	119.41	5.13	136.11	5.78	158.40	6.68	180.62	7.63	202.84	8.64	
35	102.74	4.59	119.41	5.22	136.11	5.89	158.40	6.82	180.62	7.81	202.84	8.84	
40	102.74	4.67	119.41	5.32	136.11	6.00	158.40	6.96	180.62	7.98	202.84	9.04	
45	102.74	4.76	119.41	5.43	136.11	6.13	158.40	7.13	180.62	8.17	202.84	9.26	
50	102.74	4.85	119.41	5.54	136.11	6.26	158.40	7.29	180.62	8.36	202.84	9.48	
55	102.74	4.93	119.41	5.65	136.11	6.41	158.40	7.46	180.62	8.57	202.84	9.73	
60	102.74	5.04	119.41	5.78	136.11	6.55	158.40	7.63	180.62	8.79	202.84	9.98	
65	102.74	5.20	119.41	5.98	136.11	6.80	158.40	7.93	180.62	9.16	202.84	10.41	
70	102.74	5.26	119.41	6.04	136.11	6.86	158.40	8.03	180.62	9.26	202.84	10.52	
75	102.74	5.36	119.41	6.18	136.11	7.05	158.40	8.28	180.62	9.79	202.84	11.43	
80	102.74	5.55	119.41	6.51	136.11	7.55	158.40	9.05	180.62	10.71	202.84	12.53	
85	102.74	6.01	119.41	7.08	136.11	8.21	158.40	9.86	180.62	11.69	202.84	13.68	
90	102.74	6.48	119.41	7.66	136.11	8.92	158.40	10.72	180.62	12.74	202.84	14.93	
95	102.74	7.01	119.41	8.29	136.11	9.66	158.40	11.66	180.62	13.87	202.84	16.26	
100	102.74	7.56	119.41	8.96	136.11	10.46	158.40	12.66	180.62	15.09	202.84	17.73	
105	102.74	8.22	119.41	9.77	136.11	11.44	158.40	13.86	180.62	16.56	202.84	19.48	
110	102.74	9.07	119.41	10.80	136.11	12.67	158.40	15.40	180.62	18.42	202.84	21.72	
115	102.74	9.98	119.41	11.95	136.11	14.02	158.40	17.07	180.62	20.46	202.84	24.16	
118	102.74	10.58	119.41	12.66	136.11	14.87	158.40	18.10	166.17	19.96	183.90	23.22	
122	88.36	9.63	102.69	11.52	117.05	13.53	136.22	16.47	142.91	18.16	158.16	21.13	
125	75.99	8.76	88.31	10.49	100.66	12.31	117.15	14.99	122.90	16.53	136.01	19.23	
5	85.58	3.66	99.44	4.12	113.30	4.59	132.00	5.23	150.59	5.91	168.08	6.62	
14	85.58	3.73	99.44	4.20	113.30	4.68	132.00	5.34	150.59	6.03	168.08	6.75	
25	85.58	3.81	99.44	4.29	113.30	4.78	132.00	5.45	150.59	6.15	168.08	6.89	
30	85.58	3.86	99.44	4.36	113.30	4.86	132.00	5.54	150.59	6.25	168.08	7.04	
35	85.58	3.94	99.44	4.42	113.30	4.93	132.00	5.64	150.59	6.38	168.08	7.19	
40	85.58	4.01	99.44	4.49	113.30	5.01	132.00	5.74	150.59	6.52	168.08	7.34	
45	85.58	4.09	99.44	4.58	113.30	5.10	132.00	5.88	150.59	6.67	168.08	7.51	
50	85.58	4.17	99.44	4.66	113.30	5.20	132.00	6.02	150.59	6.82	168.08	7.67	
55	85.58	4.19	99.44	4.76	113.30	5.34	132.00	6.13	150.59	6.98	168.08	7.89	
60	85.58	4.29	99.44	4.85	113.30	5.45	132.00	6.26	150.59	7.16	168.08	8.08	
65	85.58	4.40	99.44	4.99	113.30	5.63	132.00	6.47	150.59	7.45	168.08	8.42	
70	85.58	4.47	99.44	5.04	113.30	5.66	132.00	6.58	150.59	7.49	168.08	8.16	
75	85.58	4.52	99.44	5.15	113.30	5.75	132.00	6.48	150.59	7.55	168.08	8.71	
80	85.58	4.59	99.44	5.26	113.30	6.01	132.00	7.06	150.59	8.22	168.08	9.51	
85	85.58	4.93	99.44	5.70	113.30	6.51	132.00	7.66	150.59	8.96	168.08	10.34	
90	85.58	5.29	99.44	6.15	113.30	7.05	132.00	8.30	150.59	9.74	168.08	11.26	
95	85.58	5.72	99.44	6.63	113.30	7.61	132.00	9.02	150.59	10.56	168.08	12.22	
100	85.58	6.14	99.44	7.13	113.30	8.20	132.00	9.76	150.59	11.45	168.08	13.30	
105	85.58	6.66	99.44	7.76	113.30	8.93	132.00	10.65	150.59	12.53	168.08	14.54	

Connected Capacity Ratio	Outdoor air temp.	Indoor air temp.											
		DB /WB		DB /WB		DB /WB		DB /WB		DB /WB		DB /WB	
		67°F	57°F	71°F	60°F	75°F	63°F	80°F	67°F	85°F	71°F	90°F	75°F
		Tc	PI	Tc	PI	Tc	PI	Tc	PI	Tc	PI	Tc	PI
°F DB	MBH	kW	MBH	kW	MBH	kW	MBH	kW	MBH	kW	MBH	kW	
110	85.58	7.29	99.44	8.53	113.30	9.86	132.00	11.79	150.59	13.88	168.08	16.26	
115	85.58	8.00	99.44	9.43	113.30	10.89	132.00	13.03	150.59	14.38	168.08	19.61	
118	85.58	8.48	99.44	10.00	113.30	11.54	132.00	13.82	150.59	15.24	168.08	20.79	
122	73.60	7.72	85.52	9.10	97.44	10.51	113.52	12.57	129.51	13.87	144.55	18.92	
125	63.29	7.02	73.55	8.28	83.80	9.56	97.63	11.44	111.38	12.62	124.31	17.22	

Table 58 - 38VMA288HDS5-1, 38VMA288HDS6-1

Connected Capacity Ratio	Outdoor air temp.	Indoor air temp.											
		DB /WB		DB /WB		DB /WB		DB /WB		DB /WB		DB /WB	
		67°F	57°F	71°F	60°F	75°F	63°F	80°F	67°F	85°F	71°F	90°F	75°F
		Tc	PI	Tc	PI	Tc	PI	Tc	PI	Tc	PI	Tc	PI
°F DB	MBH	kW	MBH	kW	MBH	kW	MBH	kW	MBH	kW	MBH	kW	
5	242.40	10.18	282.00	12.06	322.40	14.01	374.40	16.68	405.26	17.65	414.86	16.94	
14	242.40	10.39	282.00	12.31	322.40	14.29	374.40	17.02	405.26	18.01	414.86	17.28	
25	242.40	10.60	282.00	12.56	322.40	14.58	374.40	17.37	405.26	18.38	414.86	17.63	
30	242.40	10.84	282.00	12.85	322.40	14.92	374.40	17.78	398.40	18.25	408.00	17.49	
35	242.40	11.10	282.00	13.16	322.40	15.29	374.40	18.21	392.40	18.12	402.00	17.35	
40	242.40	11.36	282.00	13.48	322.40	15.66	374.40	18.64	386.40	17.99	396.00	17.20	
45	242.40	11.64	282.00	13.83	322.40	16.07	368.40	18.58	379.20	17.85	388.80	17.04	
50	242.40	11.91	282.00	14.17	322.40	16.48	362.40	18.53	372.00	17.71	381.60	16.89	
55	242.40	12.23	282.00	14.54	322.40	16.90	356.40	18.39	366.00	17.68	375.60	17.32	
60	242.40	12.56	282.00	14.94	322.40	17.37	350.40	18.57	360.00	18.47	369.60	18.67	
65	242.40	13.10	282.00	15.67	321.20	18.63	339.00	19.96	350.40	20.61	360.00	20.83	
70	242.40	13.40	282.00	16.64	317.60	19.73	336.00	20.91	345.60	21.14	355.20	21.37	
75	242.40	14.70	282.00	18.30	314.40	21.21	331.20	22.24	340.80	22.50	350.40	22.73	
80	242.40	16.12	282.00	20.11	308.80	22.72	322.80	23.57	333.30	23.85	343.80	24.10	
85	242.40	17.66	282.00	22.05	304.80	24.30	316.80	24.91	326.40	25.21	336.00	25.50	
90	242.40	19.29	282.00	24.05	300.80	25.90	310.80	26.26	320.40	26.58	330.00	26.86	
95	242.40	21.03	278.40	25.60	295.20	27.28	304.80	27.62	313.20	27.93	314.40	28.02	
100	242.40	22.96	272.10	27.10	286.80	28.66	297.60	28.94	299.40	28.98	299.40	28.98	
105	242.40	25.26	268.20	28.90	280.53	30.30	284.00	30.40	284.00	30.40	284.00	30.40	
110	242.40	28.16	260.40	30.99	266.40	31.93	266.40	31.93	266.40	31.93	268.80	31.93	
115	230.40	32.22	230.76	32.22	231.20	32.41	231.84	32.51	232.56	32.51	233.28	32.51	
118	198.14	29.37	198.45	29.37	198.83	29.54	199.38	29.63	200.00	29.63	200.62	29.63	
122	170.40	26.73	170.67	26.73	171.00	26.89	171.47	26.97	172.00	26.97	172.53	26.97	
125	146.55	24.32	146.78	24.32	147.06	24.47	147.46	24.54	147.92	24.54	148.38	24.54	
5	224.16	9.33	261.24	11.03	297.60	12.77	345.60	15.20	391.03	17.49	407.66	17.44	
14	224.16	9.52	261.24	11.26	297.60	13.03	345.60	15.51	391.03	17.85	407.66	17.80	
25	224.16	9.72	261.24	11.48	297.60	13.30	345.60	15.83	391.03	18.21	407.66	18.16	
30	224.16	9.92	261.24	11.74	297.60	13.61	345.60	16.20	387.60	18.37	400.80	18.04	
35	224.16	10.15	261.24	12.02	297.60	13.95	345.60	16.60	383.40	18.42	394.80	17.89	
40	224.16	10.38	261.24	12.30	297.60	14.29	345.60	17.00	379.20	18.48	388.80	17.75	
45	224.16	10.64	261.24	12.62	297.60	14.65	345.60	17.45	373.20	18.35	381.60	17.60	
50	224.16	10.90	261.24	12.93	297.60	15.01	345.60	17.89	367.20	18.22	374.40	17.46	
55	224.16	11.19	261.24	13.27	297.60	15.41	345.60	18.36	359.70	18.09	368.40	17.51	
60	224.16	11.48	261.24	13.62	297.60	15.83	343.20	18.67	352.80	18.45	362.40	18.54	
65	224.16	11.96	261.24	14.22	297.60	16.71	333.60	19.52	343.20	20.33	352.80	20.67	
70	224.16	12.11	261.24	14.85	297.60	17.89	331.20	20.80	340.80	21.00	350.40	21.20	
75	224.16	13.17	261.24	16.30	297.60	19.70	324.00	22.12	333.60	22.32	343.20	22.55	
80	224.16	14.42	261.24	17.89	297.20	21.62	318.00	23.42	327.60	23.68	337.20	23.92	
85	224.16	15.78	261.24	19.60	294.40	23.32	312.00	24.75	321.60	25.02	330.00	25.29	
90	224.16	17.22	261.24	21.44	290.40	24.87	306.00	26.08	313.80	26.38	322.80	26.67	
95	224.16	18.76	261.24	23.39	286.40	26.46	297.60	27.57	307.20	27.80	314.40	28.02	
100	224.16	20.46	261.24	25.56	280.80	28.12	291.60	28.79	298.50	28.98	299.40	28.98	
105	224.16	22.48	260.04	27.90	276.80	29.97	283.20	30.40	284.00	30.40	284.00	30.40	
110	224.16	25.06	255.84	30.21	266.40	31.93	266.40	31.93	266.40	31.93	268.80	31.93	
115	224.16	27.87	229.20	31.13	231.20	32.41	231.84	32.51	232.56	32.51	233.28	32.51	
118	198.14	26.12	198.45	28.57	198.83	29.54	199.38	29.63	200.00	29.63	200.62	29.63	
122	170.40	23.77	170.67	26.00	171.00	26.89	171.47	26.97	172.00	26.97	172.53	26.97	
125	146.55	21.63	146.78	23.66	147.06	24.47	147.46	24.54	147.92	24.54	148.38	24.54	
5	205.68	8.50	238.62	10.01	272.00	11.57	316.80	13.75	361.20	16.00	400.46	17.94	
14	205.68	8.67	238.62	10.21	272.00	11.81	316.80	14.03	361.20	16.32	400.46	18.30	
25	205.68	8.85	238.62	10.42	272.00	12.05	316.80	14.31	361.20	16.66	400.46	18.68	
30	205.68	9.03	238.62	10.65	272.00	12.32	316.80	14.64	361.20	17.06	393.60	18.55	
35	205.68	9.25	238.62	10.91	272.00	12.62	316.80	15.00	361.20	17.48	387.60	18.44	
40	205.68	9.46	238.62	11.17	272.00	12.93	316.80	15.36	361.20	17.89	381.60	18.32	
45	205.68	9.68	238.62	11.44	272.00	13.25	316.80	15.76	358.80	18.12	375.60	18.18	
50	205.68	9.90	238.62	11.71	272.00	13.58	316.80	16.17	356.40	18.35	369.60	18.04	
55	205.68	10.15	238.62	12.01	272.00	13.93	316.80	16.60	353.10	18.50	361.20	17.91	
60	205.68	10.41	238.62	12.33	272.00	14.31	316.80	17.04	347.40	18.65	355.20	18.40	

Connected Capacity Ratio	Outdoor air temp.	Indoor air temp.											
		DB /WB		DB /WB		DB /WB		DB /WB		DB /WB		DB /WB	
		67°F	57°F	71°F	60°F	75°F	63°F	80°F	67°F	85°F	71°F	90°F	75°F
		Tc	PI	Tc	PI	Tc	PI	Tc	PI	Tc	PI	Tc	PI
°F DB	MBH	kW	MBH	kW	MBH	kW	MBH	kW	MBH	kW	MBH	kW	
100	65	205.68	10.85	238.62	12.87	272.00	14.93	316.80	18.20	336.30	19.73	345.60	20.52
	70	205.68	10.99	238.62	13.21	272.00	15.77	316.80	19.65	333.60	20.87	343.20	21.06
	75	205.68	11.71	238.62	14.43	272.00	17.35	316.80	21.66	327.60	22.18	336.00	22.38
	80	205.68	12.83	238.62	15.81	272.00	19.03	313.20	23.28	321.30	23.51	330.00	23.74
	85	205.68	14.01	238.62	17.30	272.00	20.86	307.20	24.61	314.40	24.84	324.00	25.08
	90	205.68	15.27	238.62	18.89	272.00	22.81	299.40	25.92	308.40	26.18	316.20	26.45
	95	205.68	16.63	238.62	20.62	272.00	24.94	292.80	27.49	302.40	27.66	309.60	27.82
	100	205.68	18.12	238.62	22.50	269.60	26.88	286.80	28.59	294.90	28.87	299.40	28.98
	105	205.68	19.87	238.62	24.74	266.13	28.79	280.00	30.11	284.00	30.40	284.00	30.40
	110	205.68	22.12	238.62	27.54	260.80	31.07	266.40	31.93	266.40	31.93	268.80	31.93
	115	205.68	24.59	224.58	30.31	231.20	32.41	231.84	32.51	232.56	32.51	233.28	32.51
	118	198.14	25.12	198.45	28.39	198.83	29.54	199.38	29.63	200.00	29.63	200.62	29.63
	122	170.40	22.86	170.67	25.84	171.00	26.89	171.47	26.97	172.00	26.97	172.53	26.97
	125	146.55	20.80	146.78	23.51	147.06	24.47	147.46	24.54	147.92	24.54	148.38	24.54
	90	5	186.96	7.72	217.20	9.03	246.96	10.40	288.00	12.32	328.80	14.33	369.60
14		186.96	7.87	217.20	9.22	246.96	10.62	288.00	12.57	328.80	14.63	369.60	16.73
25		186.96	8.03	217.20	9.41	246.96	10.83	288.00	12.83	328.80	14.93	369.60	17.07
30		186.96	8.20	217.20	9.60	246.96	11.07	288.00	13.12	328.80	15.27	369.60	17.46
35		186.96	8.37	217.20	9.83	246.96	11.34	288.00	13.45	328.80	15.65	369.60	17.89
40		186.96	8.54	217.20	10.05	246.96	11.61	288.00	13.78	328.80	16.02	369.60	18.32
45		186.96	8.74	217.20	10.30	246.96	11.90	288.00	14.12	328.80	16.44	366.00	18.47
50		186.96	8.95	217.20	10.54	246.96	12.19	288.00	14.47	328.80	16.86	362.40	18.61
55		186.96	9.16	217.20	10.80	246.96	12.50	288.00	14.86	328.80	17.31	355.80	18.47
60		186.96	9.39	217.20	11.09	246.96	12.84	288.00	15.26	328.80	17.77	348.00	18.60
65		186.96	9.79	217.20	11.55	246.96	13.38	288.00	15.94	327.90	19.04	338.40	19.86
70		186.96	9.90	217.20	11.69	246.96	13.80	288.00	17.06	324.00	20.28	336.00	20.88
75		186.96	10.36	217.20	12.64	246.96	15.13	288.00	18.78	321.60	21.93	328.80	22.21
80		186.96	11.31	217.20	13.86	246.96	16.59	288.00	20.64	315.30	23.35	322.80	23.54
85		186.96	12.34	217.20	15.15	246.96	18.17	288.00	22.62	308.40	24.67	316.80	24.88
90	186.96	13.44	217.20	16.53	246.96	19.86	288.00	24.76	302.40	26.00	309.00	26.23	
80	5	186.96	14.61	217.20	18.00	246.96	21.66	288.00	27.40	295.20	27.49	302.40	27.59
	10	186.96	15.89	217.20	19.61	246.96	23.64	282.00	28.36	289.20	28.68	295.80	28.92
	105	186.96	17.44	217.20	21.56	246.96	26.01	275.20	30.01	281.60	30.25	284.00	30.40
	110	186.96	19.39	217.20	24.01	246.96	29.03	266.40	31.93	266.40	31.93	268.80	31.93
	115	186.96	21.52	217.20	26.72	230.00	31.15	231.84	32.51	232.56	32.51	233.28	32.51
	118	186.96	22.81	191.14	24.92	198.83	28.55	199.38	29.63	200.00	29.63	200.62	29.63
	122	160.79	20.76	164.38	22.68	171.00	25.98	171.47	26.97	172.00	26.97	172.53	26.97
	125	138.28	18.89	141.36	20.64	147.06	23.64	147.46	24.54	147.92	24.54	148.38	24.54
	5	168.24	6.93	195.42	8.09	222.72	9.27	259.20	10.93	295.20	12.69	331.20	14.51
	14	168.24	7.08	195.42	8.25	222.72	9.46	259.20	11.16	295.20	12.95	331.20	14.80
	25	168.24	7.22	195.42	8.42	222.72	9.65	259.20	11.38	295.20	13.22	331.20	15.11
	30	168.24	7.36	195.42	8.59	222.72	9.87	259.20	11.65	295.20	13.53	331.20	15.48
	35	168.24	7.52	195.42	8.78	222.72	10.10	259.20	11.94	295.20	13.87	331.20	15.85
	40	168.24	7.68	195.42	8.97	222.72	10.33	259.20	12.23	295.20	14.20	331.20	16.22
	45	168.24	7.85	195.42	9.19	222.72	10.58	259.20	12.53	295.20	14.56	331.20	16.64
50	168.24	8.03	195.42	9.41	222.72	10.83	259.20	12.83	295.20	14.92	331.20	17.06	
55	168.24	8.21	195.42	9.62	222.72	11.10	259.20	13.16	295.20	15.31	331.20	17.53	
60	168.24	8.40	195.42	9.87	222.72	11.39	259.20	13.52	295.20	15.73	331.20	17.99	
65	168.24	8.74	195.42	10.28	222.72	11.86	259.20	14.10	295.20	16.53	331.20	19.43	
70	168.24	8.83	195.42	10.41	222.72	12.02	259.20	14.67	295.20	17.75	328.80	20.74	
75	168.24	9.09	195.42	11.01	222.72	13.07	259.20	16.11	295.20	19.53	321.60	22.03	
80	168.24	9.90	195.42	12.03	222.72	14.33	259.20	17.70	295.20	21.46	315.60	23.37	
85	168.24	10.80	195.42	13.14	222.72	15.66	259.20	19.37	294.60	23.42	309.60	24.68	
90	168.24	11.74	195.42	14.31	222.72	17.08	259.20	21.18	291.30	25.21	303.60	26.02	
95	168.24	12.74	195.42	15.57	222.72	18.62	259.20	23.13	288.00	27.03	295.20	27.36	
100	168.24	13.84	195.42	16.95	222.72	20.30	259.20	25.25	283.20	28.43	289.20	28.72	
105	168.24	15.16	195.42	18.60	222.72	22.31	259.20	27.80	276.40	30.06	282.40	30.40	
110	168.24	16.83	195.42	20.69	222.72	24.85	259.20	31.07	266.40	31.93	268.80	31.93	
115	168.24	18.64	195.42	22.98	222.40	29.81	231.84	32.51	232.56	32.51	233.28	32.51	
118	168.24	19.76	191.14	23.82	193.49	27.49	199.38	29.63	200.00	29.63	200.62	29.63	
122	144.69	17.98	164.38	21.68	166.40	25.02	171.47	26.97	172.00	26.97	172.53	26.97	
125	124.43	16.36	141.36	19.73	143.10	22.77	147.46	24.54	147.92	24.54	148.38	24.54	
80	5	149.52	6.20	173.82	7.17	198.08	8.18	230.40	9.61	262.80	11.11	295.20	12.66
	14	149.52	6.33	173.82	7.32	198.08	8.35	230.40	9.81	262.80	11.34	295.20	12.92
	25	149.52	6.46	173.82	7.47	198.08	8.52	230.40	10.01	262.80	11.57	295.20	13.18
	30	149.52	6.56	173.82	7.62	198.08	8.70	230.40	10.21	262.80	11.84	295.20	13.49
	35	149.52	6.70	173.82	7.78	198.08	8.90	230.40	10.46	262.80	12.12	295.20	13.82
	40	149.52	6.85	173.82	7.95	198.08	9.10	230.40	10.70	262.80	12.40	295.20	14.15
	45	149.52	6.99	173.82	8.12	198.08	9.31	230.40	10.97	262.80	12.71	295.20	14.53
	50	149.52	7.13	173.82	8.30	198.08	9.51	230.40	11.25	262.80	13.03	295.20	14.90
55	149.52	7.28	173.82	8.50	198.08	9.75	230.40	11.51	262.80	13.38	295.20	15.30	

Connected Capacity Ratio	Outdoor air temp.	Indoor air temp.												
		DB /WB		DB /WB		DB /WB		DB /WB		DB /WB		DB /WB		
		67°F	57°F	71°F	60°F	75°F	63°F	80°F	67°F	85°F	71°F	90°F	75°F	
		Tc	PI	Tc	PI	Tc	PI	Tc	PI	Tc	PI	Tc	PI	
°F DB	MBH	kW	MBH	kW	MBH	kW	MBH	kW	MBH	kW	MBH	kW		
70	60	149.52	7.46	173.82	8.71	198.08	10.00	230.40	11.82	262.80	13.74	295.20	15.71	
	65	149.52	7.75	173.82	9.05	198.08	10.43	230.40	12.30	262.80	14.33	295.20	16.48	
	70	149.52	7.82	173.82	9.16	198.08	10.55	230.40	12.48	262.80	14.96	295.20	17.69	
	75	149.52	8.03	173.82	9.51	198.08	11.18	230.40	13.66	262.80	16.45	295.20	19.47	
	80	149.52	8.60	173.82	10.34	198.08	12.22	230.40	14.97	262.80	18.04	295.20	21.40	
	85	149.52	9.35	173.82	11.28	198.08	13.35	230.40	16.38	262.80	19.77	295.20	23.47	
	90	149.52	10.16	173.82	12.28	198.08	14.55	230.40	17.88	262.80	21.61	295.20	25.63	
	95	149.52	11.02	173.82	13.33	198.08	15.82	230.40	19.50	262.80	23.60	290.40	27.13	
	100	149.52	11.93	173.82	14.48	198.08	17.23	230.40	21.26	262.80	25.79	282.00	28.48	
	105	149.52	13.03	173.82	15.86	198.08	18.90	230.40	23.38	262.80	28.35	276.80	30.11	
	110	149.52	14.44	173.82	17.61	198.08	21.03	230.40	26.06	260.40	31.07	268.80	31.93	
	115	149.52	15.99	173.82	19.53	198.08	23.36	230.40	29.05	232.56	32.51	233.28	32.51	
	118	149.52	16.95	173.82	20.70	193.49	24.19	199.38	26.65	200.00	29.63	200.62	29.63	
	122	128.59	15.43	149.49	18.84	166.40	22.01	171.47	24.25	172.00	26.97	172.53	26.97	
	125	110.58	14.04	128.56	17.15	143.10	20.03	147.46	22.07	147.92	24.54	148.38	24.54	
	70	5	130.80	5.48	152.04	6.30	173.36	7.14	201.60	8.33	229.80	9.58	259.20	10.90
		14	130.80	5.59	152.04	6.42	173.36	7.29	201.60	8.50	229.80	9.78	259.20	11.12
		25	130.80	5.71	152.04	6.56	173.36	7.44	201.60	8.67	229.80	9.98	259.20	11.35
		30	130.80	5.81	152.04	6.67	173.36	7.58	201.60	8.86	229.80	10.21	259.20	11.59
		35	130.80	5.93	152.04	6.82	173.36	7.74	201.60	9.06	229.80	10.45	259.20	11.88
		40	130.80	6.04	152.04	6.97	173.36	7.91	201.60	9.26	229.80	10.69	259.20	12.17
		45	130.80	6.16	152.04	7.12	173.36	8.10	201.60	9.48	229.80	10.95	259.20	12.47
		50	130.80	6.27	152.04	7.26	173.36	8.28	201.60	9.69	229.80	11.20	259.20	12.77
		55	130.80	6.41	152.04	7.41	173.36	8.46	201.60	9.95	229.80	11.50	259.20	13.10
		60	130.80	6.56	152.04	7.59	173.36	8.67	201.60	10.20	229.80	11.80	259.20	13.46
65		130.80	6.79	152.04	7.89	173.36	9.02	201.60	10.62	229.80	12.30	259.20	14.04	
70		130.80	6.85	152.04	7.97	173.36	9.13	201.60	10.73	229.80	12.48	259.20	14.58	
75		130.80	7.02	152.04	8.16	173.36	9.44	201.60	11.42	229.80	13.64	259.20	16.02	
80		130.80	7.38	152.04	8.79	173.36	10.29	201.60	12.51	229.80	14.94	259.20	17.59	
85		130.80	8.03	152.04	9.57	173.36	11.22	201.60	13.65	229.80	16.33	259.20	19.27	
90		130.80	8.69	152.04	10.39	173.36	12.21	201.60	14.88	229.80	17.83	259.20	21.06	
95		130.80	9.41	152.04	11.26	173.36	13.26	201.60	16.20	229.80	19.46	259.20	22.98	
100		130.80	10.17	152.04	12.21	173.36	14.40	201.60	17.62	229.80	21.20	259.20	25.10	
105		130.80	11.08	152.04	13.34	173.36	15.78	201.60	19.33	229.80	23.31	259.20	27.64	
110		130.80	12.28	152.04	14.81	173.36	17.53	201.60	21.52	229.80	25.99	259.20	30.78	
115		130.80	13.55	152.04	16.38	173.36	19.43	201.60	23.90	227.76	30.06	233.28	32.51	
118		130.80	14.36	152.04	17.36	173.36	20.59	181.44	22.80	200.00	27.98	200.62	29.63	
122		112.49	13.07	130.75	15.80	149.09	18.74	156.04	20.75	172.00	25.46	172.53	26.97	
125		96.74	11.89	112.45	14.37	128.22	17.05	134.19	18.88	147.92	23.17	148.38	24.54	
60		5	112.08	4.81	130.26	5.48	148.48	6.17	172.80	7.13	197.04	8.13	221.28	9.20
	14	112.08	4.91	130.26	5.59	148.48	6.29	172.80	7.27	197.04	8.30	221.28	9.38	
	25	112.08	5.01	130.26	5.71	148.48	6.42	172.80	7.42	197.04	8.47	221.28	9.57	
	30	112.08	5.09	130.26	5.80	148.48	6.54	172.80	7.57	197.04	8.64	221.28	9.78	
	35	112.08	5.19	130.26	5.92	148.48	6.66	172.80	7.72	197.04	8.84	221.28	10.01	
	40	112.08	5.29	130.26	6.03	148.48	6.79	172.80	7.88	197.04	9.03	221.28	10.24	
	45	112.08	5.39	130.26	6.15	148.48	6.94	172.80	8.07	197.04	9.25	221.28	10.49	
	50	112.08	5.49	130.26	6.27	148.48	7.09	172.80	8.26	197.04	9.46	221.28	10.73	
	55	112.08	5.58	130.26	6.40	148.48	7.25	172.80	8.44	197.04	9.70	221.28	11.02	
	60	112.08	5.71	130.26	6.54	148.48	7.42	172.80	8.64	197.04	9.95	221.28	11.31	
	65	112.08	5.88	130.26	6.77	148.48	7.70	172.80	8.97	197.04	10.37	221.28	11.79	
	70	112.08	5.95	130.26	6.84	148.48	7.77	172.80	9.09	197.04	10.49	221.28	11.91	
	75	112.08	6.07	130.26	7.00	148.48	7.98	172.80	9.38	197.04	11.09	221.28	12.94	
	80	112.08	6.29	130.26	7.37	148.48	8.55	172.80	10.25	197.04	12.12	221.28	14.18	
	85	112.08	6.80	130.26	8.01	148.48	9.30	172.80	11.16	197.04	13.24	221.28	15.49	
	90	112.08	7.34	130.26	8.67	148.48	10.10	172.80	12.14	197.04	14.43	221.28	16.91	
	95	112.08	7.94	130.26	9.38	148.48	10.94	172.80	13.20	197.04	15.71	221.28	18.41	
	100	112.08	8.56	130.26	10.14	148.48	11.85	172.80	14.33	197.04	17.08	221.28	20.08	
	105	112.08	9.31	130.26	11.07	148.48	12.95	172.80	15.70	197.04	18.75	221.28	22.05	
	110	112.08	10.27	130.26	12.23	148.48	14.34	172.80	17.43	197.04	20.86	221.28	24.59	
	115	112.08	11.31	130.26	13.53	148.48	15.88	172.80	19.33	197.04	23.17	221.28	27.36	
	118	112.08	11.98	130.26	14.34	148.48	16.83	172.80	20.49	181.28	22.60	200.62	26.29	
	122	96.39	10.90	112.02	13.05	127.69	15.32	148.61	18.65	155.90	20.56	172.53	23.92	
	125	82.89	9.92	96.34	11.87	109.82	13.94	127.80	16.97	134.07	18.71	148.38	21.77	
	50	5	93.36	4.14	108.48	4.66	123.60	5.19	144.00	5.92	164.28	6.69	183.36	7.49
14		93.36	4.22	108.48	4.76	123.60	5.30	144.00	6.04	164.28	6.82	183.36	7.65	
25		93.36	4.31	108.48	4.86	123.60	5.41	144.00	6.17	164.28	6.96	183.36	7.80	
30		93.36	4.37	108.48	4.93	123.60	5.50	144.00	6.27	164.28	7.08	183.36	7.97	
35		93.36	4.46	108.48	5.01	123.60	5.59	144.00	6.39	164.28	7.23	183.36	8.14	
40		93.36	4.55	108.48	5.08	123.60	5.67	144.00	6.50	164.28	7.38	183.36	8.31	
45		93.36	4.63	108.48	5.18	123.60	5.78	144.00	6.66	164.28	7.55	183.36	8.50	
50		93.36	4.72	108.48	5.28	123.60	5.89	144.00	6.82	164.28	7.72	183.36	8.69	

Connected Capacity Ratio	Outdoor air temp.	Indoor air temp.											
		DB /WB		DB /WB		DB /WB		DB /WB		DB /WB		DB /WB	
		67°F	57°F	71°F	60°F	75°F	63°F	80°F	67°F	85°F	71°F	90°F	75°F
		Tc	PI	Tc	PI	Tc	PI	Tc	PI	Tc	PI	Tc	PI
	°F DB	MBH	kW	MBH	kW	MBH	kW	MBH	kW	MBH	kW	MBH	kW
55	93.36	4.75	108.48	5.39	123.60	6.05	144.00	6.94	164.28	7.91	183.36	8.93	
60	93.36	4.86	108.48	5.49	123.60	6.18	144.00	7.09	164.28	8.10	183.36	9.15	
65	93.36	4.98	108.48	5.65	123.60	6.37	144.00	7.33	164.28	8.43	183.36	9.54	
70	93.36	5.06	108.48	5.71	123.60	6.41	144.00	7.45	164.28	8.49	183.36	9.23	
75	93.36	5.12	108.48	5.83	123.60	6.51	144.00	7.34	164.28	8.54	183.36	9.87	
80	93.36	5.19	108.48	5.95	123.60	6.80	144.00	7.99	164.28	9.31	183.36	10.77	
85	93.36	5.58	108.48	6.45	123.60	7.37	144.00	8.67	164.28	10.15	183.36	11.71	
90	93.36	5.99	108.48	6.96	123.60	7.98	144.00	9.40	164.28	11.03	183.36	12.75	
95	93.36	6.47	108.48	7.51	123.60	8.62	144.00	10.21	164.28	11.95	183.36	13.84	
100	93.36	6.95	108.48	8.07	123.60	9.29	144.00	11.05	164.28	12.96	183.36	15.06	
105	93.36	7.54	108.48	8.79	123.60	10.11	144.00	12.06	164.28	14.19	183.36	16.46	
110	93.36	8.26	108.48	9.66	123.60	11.16	144.00	13.35	164.28	15.72	183.36	18.41	
115	93.36	9.06	108.48	10.68	123.60	12.33	144.00	14.76	164.28	16.28	183.36	22.21	
118	93.36	9.60	108.48	11.32	123.60	13.07	144.00	15.64	164.28	17.26	183.36	23.54	
122	80.29	8.74	93.29	10.30	106.30	11.89	123.84	14.23	141.28	15.71	157.69	21.42	
125	69.05	7.95	80.23	9.37	91.41	10.82	106.50	12.95	121.50	14.29	135.61	19.49	

c. Triple Units

Table 59 - 38VMA312HDS5-1, 38VMA312HDS6-1

Connected Capacity Ratio	Outdoor air temp.	Indoor air temp.											
		DB /WB		DB /WB		DB /WB		DB /WB		DB /WB		DB /WB	
		67°F	57°F	71°F	60°F	75°F	63°F	80°F	67°F	85°F	71°F	90°F	75°F
		Tc	PI	Tc	PI	Tc	PI	Tc	PI	Tc	PI	Tc	PI
	°F DB	MBH	kW	MBH	kW	MBH	kW	MBH	kW	MBH	kW	MBH	kW
5	262.60	9.55	305.50	11.31	349.27	13.14	405.60	15.64	439.03	16.55	449.43	15.88	
14	262.60	9.74	305.50	11.54	349.27	13.41	405.60	15.96	439.03	16.89	449.43	16.21	
25	262.60	9.94	305.50	11.78	349.27	13.68	405.60	16.29	439.03	17.24	449.43	16.54	
30	262.60	10.17	305.50	12.05	349.27	13.99	405.60	16.67	431.60	17.12	442.00	16.40	
35	262.60	10.41	305.50	12.35	349.27	14.34	405.60	17.08	425.10	17.00	435.50	16.27	
40	262.60	10.66	305.50	12.64	349.27	14.69	405.60	17.48	418.60	16.88	429.00	16.13	
45	262.60	10.91	305.50	12.97	349.27	15.07	399.10	17.43	410.80	16.74	421.20	15.99	
50	262.60	11.17	305.50	13.30	349.27	15.46	392.60	17.38	403.00	16.61	413.40	15.84	
55	262.60	11.47	305.50	13.63	349.27	15.85	386.10	17.25	396.50	16.58	406.90	16.25	
60	262.60	11.78	305.50	14.01	349.27	16.29	379.60	17.42	390.00	17.32	400.40	17.51	
65	262.60	12.28	305.50	14.70	347.97	17.47	367.25	18.72	379.60	19.33	390.00	19.54	
70	262.60	12.57	305.50	15.61	344.07	18.51	364.00	19.62	374.40	19.83	384.80	20.05	
75	262.60	13.79	305.50	17.17	340.60	19.89	358.80	20.86	369.20	21.10	379.60	21.32	
80	262.60	15.12	305.50	18.86	334.53	21.31	349.70	22.10	361.08	22.37	372.45	22.60	
85	262.60	16.57	305.50	20.68	330.20	22.79	343.20	23.37	353.60	23.65	364.00	23.92	
90	262.60	18.09	305.50	22.56	325.87	24.29	336.70	24.63	347.10	24.93	357.50	25.19	
95	262.60	19.72	301.60	24.01	319.80	25.59	330.20	25.90	339.30	26.20	340.60	26.28	
100	262.60	21.53	294.78	25.42	310.70	26.88	322.40	27.14	324.35	27.18	324.35	27.18	
105	262.60	23.69	290.55	27.10	303.91	28.42	307.67	28.51	307.67	28.51	307.67	28.51	
110	262.60	26.41	282.10	29.07	288.60	29.95	288.60	29.95	288.60	29.95	291.20	29.95	
115	249.60	30.22	249.99	30.22	250.47	30.40	251.16	30.49	251.94	30.49	252.72	30.49	
118	214.66	27.55	214.99	27.55	215.40	27.71	216.00	27.79	216.67	27.79	217.34	27.79	
122	184.60	25.07	184.89	25.07	185.25	25.22	185.76	25.29	186.33	25.29	186.91	25.29	
125	158.76	22.81	159.01	22.81	159.31	22.95	159.75	23.02	160.25	23.02	160.74	23.02	
5	242.84	8.75	283.01	10.35	322.40	11.98	374.40	14.26	423.61	16.41	441.63	16.36	
14	242.84	8.93	283.01	10.56	322.40	12.22	374.40	14.55	423.61	16.74	441.63	16.69	
25	242.84	9.12	283.01	10.77	322.40	12.47	374.40	14.84	423.61	17.08	441.63	17.03	
30	242.84	9.31	283.01	11.01	322.40	12.76	374.40	15.19	419.90	17.23	434.20	16.92	
35	242.84	9.52	283.01	11.27	322.40	13.08	374.40	15.57	415.35	17.28	427.70	16.78	
40	242.84	9.74	283.01	11.54	322.40	13.40	374.40	15.95	410.80	17.34	421.20	16.65	
45	242.84	9.98	283.01	11.83	322.40	13.74	374.40	16.36	404.30	17.21	413.40	16.51	
50	242.84	10.23	283.01	12.13	322.40	14.08	374.40	16.78	397.80	17.09	405.60	16.38	
55	242.84	10.50	283.01	12.45	322.40	14.46	374.40	17.22	389.68	16.96	399.10	16.42	
60	242.84	10.77	283.01	12.78	322.40	14.84	371.80	17.51	382.20	17.31	392.60	17.39	
65	242.84	11.22	283.01	13.34	322.40	15.68	361.40	18.31	371.80	19.07	382.20	19.39	
70	242.84	11.36	283.01	13.93	322.40	16.78	358.80	19.51	369.20	19.70	379.60	19.89	
75	242.84	12.36	283.01	15.29	322.40	18.48	351.00	20.75	361.40	20.94	371.80	21.15	
80	242.84	13.52	283.01	16.78	321.97	20.27	344.50	21.97	354.90	22.21	365.30	22.43	
85	242.84	14.80	283.01	18.38	318.93	21.88	338.00	23.22	348.40	23.47	357.50	23.72	
90	242.84	16.16	283.01	20.11	314.60	23.33	331.50	24.47	339.95	24.74	349.70	25.02	
95	242.84	17.59	283.01	21.94	310.27	24.81	322.40	25.86	332.80	26.08	340.60	26.28	
100	242.84	19.19	283.01	23.98	304.20	26.37	315.90	27.00	323.38	27.18	324.35	27.18	
105	242.84	21.08	281.71	26.17	299.87	28.11	306.80	28.51	307.67	28.51	307.67	28.51	
110	242.84	23.50	277.16	28.34	288.60	29.95	288.60	29.95	288.60	29.95	291.20	29.95	
115	242.84	26.14	248.30	29.20	250.47	30.40	251.16	30.49	251.94	30.49	252.72	30.49	

Connected Capacity Ratio	Outdoor air temp.	Indoor air temp.											
		DB /WB		DB /WB		DB /WB		DB /WB		DB /WB		DB /WB	
		67°F	57°F	71°F	60°F	75°F	63°F	80°F	67°F	85°F	71°F	90°F	75°F
		Tc	PI	Tc	PI	Tc	PI	Tc	PI	Tc	PI	Tc	PI
	°F DB	MBH	kW	MBH	kW	MBH	kW	MBH	kW	MBH	kW	MBH	kW
110	118	214.66	24.50	214.99	26.80	215.40	27.71	216.00	27.79	216.67	27.79	217.34	27.79
	122	184.60	22.29	184.89	24.39	185.25	25.22	185.76	25.29	186.33	25.29	186.91	25.29
	125	158.76	20.29	159.01	22.19	159.31	22.95	159.75	23.02	160.25	23.02	160.74	23.02
	5	222.82	7.97	258.51	9.39	294.67	10.85	343.20	12.89	391.30	15.01	433.83	16.82
	14	222.82	8.13	258.51	9.58	294.67	11.07	343.20	13.16	391.30	15.31	433.83	17.17
	25	222.82	8.30	258.51	9.77	294.67	11.30	343.20	13.43	391.30	15.62	433.83	17.52
	30	222.82	8.47	258.51	9.99	294.67	11.56	343.20	13.73	391.30	16.00	426.40	17.40
	35	222.82	8.67	258.51	10.23	294.67	11.84	343.20	14.07	391.30	16.39	419.90	17.29
	40	222.82	8.88	258.51	10.48	294.67	12.12	343.20	14.41	391.30	16.78	413.40	17.19
	45	222.82	9.08	258.51	10.73	294.67	12.43	343.20	14.79	388.70	17.00	406.90	17.05
	50	222.82	9.28	258.51	10.98	294.67	12.74	343.20	15.16	386.10	17.21	400.40	16.92
	55	222.82	9.52	258.51	11.27	294.67	13.07	343.20	15.57	382.53	17.36	391.30	16.80
	60	222.82	9.77	258.51	11.57	294.67	13.42	343.20	15.99	376.35	17.49	384.80	17.25
	65	222.82	10.18	258.51	12.08	294.67	14.01	343.20	17.07	364.33	18.51	374.40	19.25
	70	222.82	10.31	258.51	12.39	294.67	14.79	343.20	18.43	361.40	19.57	371.80	19.75
	75	222.82	10.98	258.51	13.53	294.67	16.27	343.20	20.32	354.90	20.80	364.00	20.99
	80	222.82	12.03	258.51	14.83	294.67	17.85	339.30	21.83	348.08	22.05	357.50	22.27
	85	222.82	13.14	258.51	16.23	294.67	19.57	332.80	23.08	340.60	23.30	351.00	23.53
	90	222.82	14.33	258.51	17.72	294.67	21.40	324.35	24.31	334.10	24.56	342.55	24.81
	95	222.82	15.60	258.51	19.34	294.67	23.39	317.20	25.78	327.60	25.94	335.40	26.09
100	222.82	16.99	258.51	21.10	292.07	25.21	310.70	26.81	319.48	27.08	324.35	27.18	
105	222.82	18.64	258.51	23.20	288.31	27.01	303.33	28.24	307.67	28.51	307.67	28.51	
110	222.82	20.75	258.51	25.83	282.53	29.14	288.60	29.95	288.60	29.95	291.20	29.95	
115	222.82	23.07	243.30	28.43	250.47	30.40	251.16	30.49	251.94	30.49	252.72	30.49	
118	214.66	23.56	214.99	26.63	215.40	27.71	216.00	27.79	216.67	27.79	217.34	27.79	
122	184.60	21.44	184.89	24.23	185.25	25.22	185.76	25.29	186.33	25.29	186.91	25.29	
125	158.76	19.51	159.01	22.05	159.31	22.95	159.75	23.02	160.25	23.02	160.74	23.02	
100	5	202.54	7.24	235.30	8.47	267.54	9.76	312.00	11.56	356.20	13.45	400.40	15.38
	14	202.54	7.38	235.30	8.65	267.54	9.96	312.00	11.79	356.20	13.72	400.40	15.69
	25	202.54	7.54	235.30	8.82	267.54	10.16	312.00	12.03	356.20	14.00	400.40	16.01
	30	202.54	7.69	235.30	9.00	267.54	10.38	312.00	12.30	356.20	14.33	400.40	16.38
	35	202.54	7.85	235.30	9.22	267.54	10.64	312.00	12.61	356.20	14.68	400.40	16.78
	40	202.54	8.01	235.30	9.43	267.54	10.89	312.00	12.92	356.20	15.03	400.40	17.19
	45	202.54	8.20	235.30	9.66	267.54	11.16	312.00	13.25	356.20	15.42	396.50	17.32
	50	202.54	8.39	235.30	9.89	267.54	11.43	312.00	13.57	356.20	15.81	392.60	17.46
	55	202.54	8.59	235.30	10.13	267.54	11.72	312.00	13.94	356.20	16.23	385.45	17.33
	60	202.54	8.81	235.30	10.40	267.54	12.04	312.00	14.31	356.20	16.67	377.00	17.44
	65	202.54	9.19	235.30	10.83	267.54	12.55	312.00	14.95	355.23	17.86	366.60	18.63
	70	202.54	9.28	235.30	10.96	267.54	12.94	312.00	16.00	351.00	19.02	364.00	19.59
	75	202.54	9.71	235.30	11.86	267.54	14.19	312.00	17.62	348.40	20.57	356.20	20.83
	80	202.54	10.60	235.30	13.00	267.54	15.56	312.00	19.36	341.58	21.90	349.70	22.08
	85	202.54	11.57	235.30	14.21	267.54	17.04	312.00	21.22	334.10	23.14	343.20	23.34
	90	202.54	12.61	235.30	15.51	267.54	18.63	312.00	23.22	327.60	24.38	334.75	24.60
	95	202.54	13.71	235.30	16.88	267.54	20.32	312.00	25.70	319.80	25.78	327.60	25.88
	100	202.54	14.91	235.30	18.39	267.54	22.17	305.50	26.60	313.30	26.90	320.45	27.12
	105	202.54	16.36	235.30	20.22	267.54	24.40	298.13	28.15	305.07	28.38	307.67	28.51
	110	202.54	18.19	235.30	22.52	267.54	27.23	288.60	29.95	288.60	29.95	291.20	29.95
115	202.54	20.18	235.30	25.06	249.17	29.22	251.16	30.49	251.94	30.49	252.72	30.49	
118	202.54	21.39	207.06	23.37	215.40	26.78	216.00	27.79	216.67	27.79	217.34	27.79	
122	174.18	19.47	178.08	21.27	185.25	24.37	185.76	25.29	186.33	25.29	186.91	25.29	
125	149.80	17.72	153.14	19.36	159.31	22.17	159.75	23.02	160.25	23.02	160.74	23.02	
90	5	182.26	6.50	211.71	7.58	241.28	8.70	280.80	10.25	319.80	11.91	358.80	13.61
	14	182.26	6.64	211.71	7.74	241.28	8.87	280.80	10.46	319.80	12.15	358.80	13.89
	25	182.26	6.77	211.71	7.90	241.28	9.06	280.80	10.68	319.80	12.40	358.80	14.17
	30	182.26	6.91	211.71	8.06	241.28	9.25	280.80	10.93	319.80	12.69	358.80	14.52
	35	182.26	7.06	211.71	8.24	241.28	9.47	280.80	11.20	319.80	13.00	358.80	14.87
	40	182.26	7.20	211.71	8.42	241.28	9.69	280.80	11.47	319.80	13.32	358.80	15.22
	45	182.26	7.37	211.71	8.62	241.28	9.92	280.80	11.75	319.80	13.65	358.80	15.61
	50	182.26	7.53	211.71	8.82	241.28	10.15	280.80	12.03	319.80	13.99	358.80	16.00
	55	182.26	7.70	211.71	9.02	241.28	10.41	280.80	12.34	319.80	14.36	358.80	16.44
	60	182.26	7.88	211.71	9.25	241.28	10.68	280.80	12.68	319.80	14.75	358.80	16.88
	65	182.26	8.20	211.71	9.64	241.28	11.12	280.80	13.22	319.80	15.50	358.80	18.23
	70	182.26	8.28	211.71	9.76	241.28	11.28	280.80	13.76	319.80	16.65	356.20	19.45
	75	182.26	8.53	211.71	10.33	241.28	12.26	280.80	15.11	319.80	18.32	348.40	20.67
	80	182.26	9.29	211.71	11.29	241.28	13.44	280.80	16.60	319.80	20.13	341.90	21.92
	85	182.26	10.13	211.71	12.33	241.28	14.69	280.80	18.17	319.15	21.97	335.40	23.15
	90	182.26	11.02	211.71	13.42	241.28	16.02	280.80	19.86	315.58	23.65	328.90	24.40
	95	182.26	11.95	211.71	14.60	241.28	17.47	280.80	21.69	312.00	25.35	319.80	25.66
	100	182.26	12.98	211.71	15.90	241.28	19.04	280.80	23.68	306.80	26.67	313.30	26.94
	105	182.26	14.22	211.71	17.44	241.28	20.93	280.80	26.07	299.43	28.20	305.93	28.51
	110	182.26	15.78	211.71	19.41	241.28	23.31	280.80	29.14	288.60	29.95	291.20	29.95

Connected Capacity Ratio	Outdoor air temp.	Indoor air temp.											
		DB /WB		DB /WB		DB /WB		DB /WB		DB /WB		DB /WB	
		67° F	57° F	71° F	60° F	75° F	63° F	80° F	67° F	85° F	71° F	90° F	75° F
		Tc	PI	Tc	PI	Tc	PI	Tc	PI	Tc	PI	Tc	PI
°F DB	MBH	kW	MBH	kW	MBH	kW	MBH	kW	MBH	kW	MBH	kW	
80	115	182.26	17.48	211.71	21.55	240.93	27.96	251.16	30.49	251.94	30.49	252.72	30.49
	118	182.26	18.53	207.06	22.34	209.61	25.79	216.00	27.79	216.67	27.79	217.34	27.79
	122	156.74	16.86	178.08	20.33	180.27	23.47	185.76	25.29	186.33	25.29	186.91	25.29
	125	134.80	15.35	153.14	18.50	155.03	21.35	159.75	23.02	160.25	23.02	160.74	23.02
	5	161.98	5.82	188.31	6.73	214.59	7.67	249.60	9.01	284.70	10.42	319.80	11.88
	14	161.98	5.93	188.31	6.86	214.59	7.83	249.60	9.20	284.70	10.64	319.80	12.12
	25	161.98	6.06	188.31	7.00	214.59	7.99	249.60	9.39	284.70	10.85	319.80	12.37
	30	161.98	6.15	188.31	7.14	214.59	8.16	249.60	9.58	284.70	11.10	319.80	12.65
	35	161.98	6.29	188.31	7.30	214.59	8.35	249.60	9.81	284.70	11.37	319.80	12.96
	40	161.98	6.42	188.31	7.45	214.59	8.54	249.60	10.04	284.70	11.63	319.80	13.27
	45	161.98	6.56	188.31	7.62	214.59	8.73	249.60	10.29	284.70	11.93	319.80	13.63
	50	161.98	6.69	188.31	7.78	214.59	8.92	249.60	10.55	284.70	12.22	319.80	13.98
	55	161.98	6.83	188.31	7.97	214.59	9.15	249.60	10.80	284.70	12.55	319.80	14.35
	60	161.98	7.00	188.31	8.17	214.59	9.38	249.60	11.09	284.70	12.88	319.80	14.73
	65	161.98	7.27	188.31	8.49	214.59	9.78	249.60	11.54	284.70	13.44	319.80	15.46
	70	161.98	7.34	188.31	8.59	214.59	9.89	249.60	11.71	284.70	14.03	319.80	16.59
	75	161.98	7.53	188.31	8.92	214.59	10.49	249.60	12.82	284.70	15.43	319.80	18.27
	80	161.98	8.07	188.31	9.70	214.59	11.46	249.60	14.04	284.70	16.92	319.80	20.07
	85	161.98	8.77	188.31	10.58	214.59	12.52	249.60	15.37	284.70	18.54	319.80	22.02
	90	161.98	9.53	188.31	11.52	214.59	13.65	249.60	16.77	284.70	20.27	319.80	24.04
95	161.98	10.33	188.31	12.50	214.59	14.84	249.60	18.29	284.70	22.14	314.60	25.44	
100	161.98	11.19	188.31	13.58	214.59	16.16	249.60	19.94	284.70	24.19	305.50	26.71	
105	161.98	12.22	188.31	14.87	214.59	17.72	249.60	21.93	284.70	26.59	299.87	28.24	
110	161.98	13.54	188.31	16.52	214.59	19.72	249.60	24.44	282.10	29.14	291.20	29.95	
115	161.98	15.00	188.31	18.32	214.59	21.91	249.60	27.25	251.94	30.49	252.72	30.49	
118	161.98	15.90	188.31	19.42	209.61	22.68	216.00	25.00	216.67	27.79	217.34	27.79	
122	139.30	14.47	161.94	17.67	180.27	20.64	185.76	22.75	186.33	25.29	186.91	25.29	
125	119.80	13.17	139.27	16.08	155.03	18.79	159.75	20.70	160.25	23.02	160.74	23.02	
70	5	141.70	5.14	164.71	5.91	187.81	6.70	218.40	7.81	248.95	8.99	280.80	10.22
	14	141.70	5.25	164.71	6.03	187.81	6.84	218.40	7.97	248.95	9.17	280.80	10.43
	25	141.70	5.35	164.71	6.15	187.81	6.98	218.40	8.14	248.95	9.36	280.80	10.64
	30	141.70	5.45	164.71	6.26	187.81	7.11	218.40	8.31	248.95	9.58	280.80	10.87
	35	141.70	5.56	164.71	6.40	187.81	7.26	218.40	8.50	248.95	9.80	280.80	11.14
	40	141.70	5.67	164.71	6.54	187.81	7.42	218.40	8.69	248.95	10.02	280.80	11.41
	45	141.70	5.77	164.71	6.67	187.81	7.60	218.40	8.89	248.95	10.27	280.80	11.70
	50	141.70	5.88	164.71	6.81	187.81	7.77	218.40	9.09	248.95	10.51	280.80	11.98
	55	141.70	6.02	164.71	6.95	187.81	7.93	218.40	9.33	248.95	10.78	280.80	12.29
	60	141.70	6.15	164.71	7.12	187.81	8.13	218.40	9.56	248.95	11.07	280.80	12.63
	65	141.70	6.37	164.71	7.40	187.81	8.46	218.40	9.96	248.95	11.54	280.80	13.17
	70	141.70	6.42	164.71	7.47	187.81	8.56	218.40	10.06	248.95	11.71	280.80	13.68
	75	141.70	6.58	164.71	7.66	187.81	8.86	218.40	10.71	248.95	12.79	280.80	15.03
	80	141.70	6.92	164.71	8.24	187.81	9.65	218.40	11.73	248.95	14.01	280.80	16.50
	85	141.70	7.53	164.71	8.97	187.81	10.53	218.40	12.80	248.95	15.32	280.80	18.08
	90	141.70	8.16	164.71	9.74	187.81	11.46	218.40	13.96	248.95	16.72	280.80	19.76
	95	141.70	8.82	164.71	10.56	187.81	12.44	218.40	15.19	248.95	18.25	280.80	21.56
	100	141.70	9.54	164.71	11.46	187.81	13.51	218.40	16.53	248.95	19.88	280.80	23.54
	105	141.70	10.40	164.71	12.51	187.81	14.80	218.40	18.13	248.95	21.87	280.80	25.93
	110	141.70	11.52	164.71	13.89	187.81	16.44	218.40	20.18	248.95	24.38	280.80	28.87
115	141.70	12.71	164.71	15.36	187.81	18.22	218.40	22.42	246.74	28.20	252.72	30.49	
118	141.70	13.47	164.71	16.28	187.81	19.31	196.56	21.39	216.67	26.24	217.34	27.79	
122	121.86	12.26	141.65	14.82	161.51	17.58	169.04	19.46	186.33	23.88	186.91	25.29	
125	104.80	11.16	121.82	13.48	138.90	15.99	145.38	17.71	160.25	21.73	160.74	23.02	
60	5	121.42	4.51	141.12	5.14	160.85	5.79	187.20	6.69	213.46	7.63	239.72	8.63
	14	121.42	4.60	141.12	5.24	160.85	5.90	187.20	6.82	213.46	7.79	239.72	8.80
	25	121.42	4.70	141.12	5.35	160.85	6.02	187.20	6.96	213.46	7.94	239.72	8.98
	30	121.42	4.78	141.12	5.44	160.85	6.13	187.20	7.10	213.46	8.11	239.72	9.17
	35	121.42	4.87	141.12	5.55	160.85	6.25	187.20	7.24	213.46	8.29	239.72	9.39
	40	121.42	4.96	141.12	5.65	160.85	6.37	187.20	7.39	213.46	8.47	239.72	9.61
	45	121.42	5.06	141.12	5.77	160.85	6.51	187.20	7.57	213.46	8.67	239.72	9.83
	50	121.42	5.15	141.12	5.88	160.85	6.65	187.20	7.74	213.46	8.88	239.72	10.06
	55	121.42	5.23	141.12	6.00	160.85	6.80	187.20	7.92	213.46	9.10	239.72	10.33
	60	121.42	5.36	141.12	6.13	160.85	6.96	187.20	8.11	213.46	9.34	239.72	10.60
	65	121.42	5.52	141.12	6.35	160.85	7.22	187.20	8.42	213.46	9.72	239.72	11.06
	70	121.42	5.59	141.12	6.41	160.85	7.28	187.20	8.53	213.46	9.83	239.72	11.17
	75	121.42	5.69	141.12	6.56	160.85	7.48	187.20	8.80	213.46	10.40	239.72	12.14
	80	121.42	5.90	141.12	6.91	160.85	8.02	187.20	9.61	213.46	11.37	239.72	13.30
	85	121.42	6.38	141.12	7.51	160.85	8.72	187.20	10.47	213.46	12.42	239.72	14.53
90	121.42	6.89	141.12	8.14	160.85	9.47	187.20	11.39	213.46	13.53	239.72	15.86	
95	121.42	7.45	141.12	8.80	160.85	10.26	187.20	12.38	213.46	14.73	239.72	17.27	
100	121.42	8.03	141.12	9.51	160.85	11.11	187.20	13.44	213.46	16.02	239.72	18.83	
105	121.42	8.73	141.12	10.38	160.85	12.14	187.20	14.72	213.46	17.59	239.72	20.69	

Connected Capacity Ratio	Outdoor air temp.	Indoor air temp.											
		DB /WB		DB /WB		DB /WB		DB /WB		DB /WB		DB /WB	
		67°F	57°F	71°F	60°F	75°F	63°F	80°F	67°F	85°F	71°F	90°F	75°F
		Tc	PI	Tc	PI	Tc	PI	Tc	PI	Tc	PI	Tc	PI
°F DB	MBH	kW	MBH	kW	MBH	kW	MBH	kW	MBH	kW	MBH	kW	
50	110	121.42	9.63	141.12	11.47	160.85	13.45	187.20	16.35	213.46	19.56	239.72	23.07
	115	121.42	10.60	141.12	12.69	160.85	14.89	187.20	18.13	213.46	21.73	239.72	25.66
	118	121.42	11.24	141.12	13.45	160.85	15.79	187.20	19.22	196.38	21.19	217.34	24.66
	122	104.42	10.23	121.36	12.24	138.33	14.37	160.99	17.49	168.89	19.29	186.91	22.44
	125	89.80	9.31	104.37	11.14	118.97	13.07	138.45	15.92	145.25	17.55	160.74	20.42
	5	101.14	3.88	117.52	4.37	133.90	4.87	156.00	5.56	177.97	6.27	198.64	7.03
	14	101.14	3.96	117.52	4.46	133.90	4.97	156.00	5.67	177.97	6.40	198.64	7.17
	25	101.14	4.04	117.52	4.56	133.90	5.07	156.00	5.79	177.97	6.53	198.64	7.32
	30	101.14	4.10	117.52	4.63	133.90	5.16	156.00	5.88	177.97	6.64	198.64	7.47
	35	101.14	4.18	117.52	4.70	133.90	5.24	156.00	5.99	177.97	6.78	198.64	7.64
	40	101.14	4.26	117.52	4.77	133.90	5.32	156.00	6.10	177.97	6.92	198.64	7.80
	45	101.14	4.34	117.52	4.86	133.90	5.42	156.00	6.25	177.97	7.08	198.64	7.97
	50	101.14	4.42	117.52	4.95	133.90	5.52	156.00	6.39	177.97	7.24	198.64	8.15
	55	101.14	4.45	117.52	5.05	133.90	5.67	156.00	6.51	177.97	7.42	198.64	8.38
	60	101.14	4.56	117.52	5.15	133.90	5.79	156.00	6.65	177.97	7.60	198.64	8.58
	65	101.14	4.67	117.52	5.30	133.90	5.98	156.00	6.87	177.97	7.91	198.64	8.94
	70	101.14	4.75	117.52	5.36	133.90	6.01	156.00	6.99	177.97	7.96	198.64	8.66
75	101.14	4.80	117.52	5.47	133.90	6.11	156.00	6.88	177.97	8.01	198.64	9.25	
80	101.14	4.87	117.52	5.58	133.90	6.38	156.00	7.49	177.97	8.73	198.64	10.10	
85	101.14	5.23	117.52	6.05	133.90	6.91	156.00	8.13	177.97	9.52	198.64	10.98	
90	101.14	5.62	117.52	6.53	133.90	7.49	156.00	8.82	177.97	10.34	198.64	11.96	
95	101.14	6.07	117.52	7.04	133.90	8.09	156.00	9.58	177.97	11.21	198.64	12.98	
100	101.14	6.52	117.52	7.57	133.90	8.71	156.00	10.36	177.97	12.16	198.64	14.12	
105	101.14	7.07	117.52	8.24	133.90	9.49	156.00	11.31	177.97	13.31	198.64	15.44	
110	101.14	7.74	117.52	9.06	133.90	10.47	156.00	12.52	177.97	14.75	198.64	17.27	
115	101.14	8.50	117.52	10.02	133.90	11.57	156.00	13.84	177.97	15.27	198.64	20.83	
118	101.14	9.01	117.52	10.62	133.90	12.26	156.00	14.67	177.97	16.19	198.64	22.08	
122	86.98	8.20	101.07	9.66	115.15	11.16	134.16	13.35	153.05	14.73	170.83	20.09	
125	74.80	7.46	86.92	8.79	99.03	10.15	115.38	12.15	131.63	13.41	146.91	18.28	

Table 60 - 38VMA336HDS5-1, 38VMA336HDS6-1

Connected Capacity Ratio	Outdoor air temp.	Indoor air temp.											
		DB /WB		DB /WB		DB /WB		DB /WB		DB /WB		DB /WB	
		67°F	57°F	71°F	60°F	75°F	63°F	80°F	67°F	85°F	71°F	90°F	75°F
		Tc	PI	Tc	PI	Tc	PI	Tc	PI	Tc	PI	Tc	PI
°F DB	MBH	kW	MBH	kW	MBH	kW	MBH	kW	MBH	kW	MBH	kW	
135	5	282.80	10.18	329.00	12.06	376.13	14.01	436.80	16.68	472.80	17.65	484.00	16.94
	14	282.80	10.39	329.00	12.31	376.13	14.29	436.80	17.02	472.80	18.01	484.00	17.28
	25	282.80	10.60	329.00	12.56	376.13	14.58	436.80	17.37	472.80	18.38	484.00	17.63
	30	282.80	10.84	329.00	12.85	376.13	14.92	436.80	17.78	464.80	18.25	476.00	17.49
	35	282.80	11.10	329.00	13.16	376.13	15.29	436.80	18.21	457.80	18.12	469.00	17.35
	40	282.80	11.36	329.00	13.48	376.13	15.66	436.80	18.64	450.80	17.99	462.00	17.20
	45	282.80	11.64	329.00	13.83	376.13	16.07	429.80	18.58	442.40	17.85	453.60	17.04
	50	282.80	11.91	329.00	14.17	376.13	16.48	422.80	18.53	434.00	17.71	445.20	16.89
	55	282.80	12.23	329.00	14.54	376.13	16.90	415.80	18.39	427.00	17.68	438.20	17.32
	60	282.80	12.56	329.00	14.94	376.13	17.37	408.80	18.57	420.00	18.47	431.20	18.67
	65	282.80	13.10	329.00	15.67	374.73	18.63	395.50	19.96	408.80	20.61	420.00	20.83
	70	282.80	13.40	329.00	16.64	370.53	19.73	392.00	20.91	403.20	21.14	414.40	21.37
	75	282.80	14.70	329.00	18.30	366.80	21.21	386.40	22.24	397.60	22.50	408.80	22.73
	80	282.80	16.12	329.00	20.11	360.27	22.72	376.60	23.57	388.85	23.85	401.10	24.10
	85	282.80	17.66	329.00	22.05	355.60	24.30	369.60	24.91	380.80	25.21	392.00	25.50
	90	282.80	19.29	329.00	24.05	350.93	25.90	362.60	26.26	373.80	26.58	385.00	26.86
	95	282.80	21.03	324.80	25.60	344.40	27.28	355.60	27.62	365.40	27.93	366.80	28.02
100	282.80	22.96	317.45	27.10	334.60	28.66	347.20	28.94	349.30	28.98	349.30	28.98	
105	282.80	25.26	312.90	28.90	327.29	30.30	331.33	30.40	331.33	30.40	331.33	30.40	
110	282.80	28.16	303.80	30.99	310.80	31.93	310.80	31.93	310.80	31.93	313.60	31.93	
115	268.80	32.22	269.22	32.22	269.73	32.41	270.48	32.51	271.32	32.51	272.16	32.51	
118	231.17	29.37	231.53	29.37	231.97	29.54	232.61	29.63	233.34	29.63	234.06	29.63	
122	198.80	26.73	199.12	26.73	199.49	26.89	200.05	26.97	200.67	26.97	201.29	26.97	
125	170.97	24.32	171.24	24.32	171.57	24.47	172.04	24.54	172.57	24.54	173.11	24.54	
120	5	261.52	9.33	304.78	11.03	347.20	12.77	403.20	15.20	456.20	17.49	475.60	17.44
	14	261.52	9.52	304.78	11.26	347.20	13.03	403.20	15.51	456.20	17.85	475.60	17.80
	25	261.52	9.72	304.78	11.48	347.20	13.30	403.20	15.83	456.20	18.21	475.60	18.16
	30	261.52	9.92	304.78	11.74	347.20	13.61	403.20	16.20	452.20	18.37	467.60	18.04
	35	261.52	10.15	304.78	12.02	347.20	13.95	403.20	16.60	447.30	18.42	460.60	17.89
	40	261.52	10.38	304.78	12.30	347.20	14.29	403.20	17.00	442.40	18.48	453.60	17.75
	45	261.52	10.64	304.78	12.62	347.20	14.65	403.20	17.45	435.40	18.35	445.20	17.60
	50	261.52	10.90	304.78	12.93	347.20	15.01	403.20	17.89	428.40	18.22	436.80	17.46
55	261.52	11.19	304.78	13.27	347.20	15.41	403.20	18.36	419.65	18.09	429.80	17.51	
60	261.52	11.48	304.78	13.62	347.20	15.83	400.40	18.67	411.60	18.45	422.80	18.54	

Connected Capacity Ratio	Outdoor air temp.	Indoor air temp.											
		DB /WB		DB /WB		DB /WB		DB /WB		DB /WB		DB /WB	
		67°F	57°F	71°F	60°F	75°F	63°F	80°F	67°F	85°F	71°F	90°F	75°F
		Tc	PI	Tc	PI	Tc	PI	Tc	PI	Tc	PI	Tc	PI
°F DB	MBH	kW	MBH	kW	MBH	kW	MBH	kW	MBH	kW	MBH	kW	
110	65	261.52	11.96	304.78	14.22	347.20	16.71	389.20	19.52	400.40	20.33	411.60	20.67
	70	261.52	12.11	304.78	14.85	347.20	17.89	386.40	20.80	397.60	21.00	408.80	21.20
	75	261.52	13.17	304.78	16.30	347.20	19.70	378.00	22.12	389.20	22.32	400.40	22.55
	80	261.52	14.42	304.78	17.89	346.73	21.62	371.00	23.42	382.20	23.68	393.40	23.92
	85	261.52	15.78	304.78	19.60	343.47	23.32	364.00	24.75	375.20	25.02	385.00	25.29
	90	261.52	17.22	304.78	21.44	338.80	24.87	357.00	26.08	366.10	26.38	376.60	26.67
	95	261.52	18.76	304.78	23.39	334.13	26.46	347.20	27.57	358.40	27.80	366.80	28.02
	100	261.52	20.46	304.78	25.56	327.60	28.12	340.20	28.79	348.25	28.98	349.30	28.98
	105	261.52	22.48	303.38	27.90	322.93	29.97	330.40	30.40	331.33	30.40	331.33	30.40
	110	261.52	25.06	298.48	30.21	310.80	31.93	310.80	31.93	310.80	31.93	313.60	31.93
	115	261.52	27.87	267.40	31.13	269.73	32.41	270.48	32.51	271.32	32.51	272.16	32.51
	118	231.17	26.12	231.53	28.57	231.97	29.54	232.61	29.63	233.34	29.63	234.06	29.63
	122	198.80	23.77	199.12	26.00	199.49	26.89	200.05	26.97	200.67	26.97	201.29	26.97
	125	170.97	21.63	171.24	23.66	171.57	24.47	172.04	24.54	172.57	24.54	173.11	24.54
	100	5	239.96	8.50	278.39	10.01	317.33	11.57	369.60	13.75	421.40	16.00	467.20
14		239.96	8.67	278.39	10.21	317.33	11.81	369.60	14.03	421.40	16.32	467.20	18.30
25		239.96	8.85	278.39	10.42	317.33	12.05	369.60	14.31	421.40	16.66	467.20	18.68
30		239.96	9.03	278.39	10.65	317.33	12.32	369.60	14.64	421.40	17.06	459.20	18.55
35		239.96	9.25	278.39	10.91	317.33	12.62	369.60	15.00	421.40	17.48	452.20	18.44
40		239.96	9.46	278.39	11.17	317.33	12.93	369.60	15.36	421.40	17.89	445.20	18.32
45		239.96	9.68	278.39	11.44	317.33	13.25	369.60	15.76	418.60	18.12	438.20	18.18
50		239.96	9.90	278.39	11.71	317.33	13.58	369.60	16.17	415.80	18.35	431.20	18.04
55		239.96	10.15	278.39	12.01	317.33	13.93	369.60	16.60	411.95	18.50	421.40	17.91
60		239.96	10.41	278.39	12.33	317.33	14.31	369.60	17.04	405.30	18.65	414.40	18.40
65		239.96	10.85	278.39	12.87	317.33	14.93	369.60	18.20	392.35	19.73	403.20	20.52
70		239.96	10.99	278.39	13.21	317.33	15.77	369.60	19.65	389.20	20.87	400.40	21.06
75		239.96	11.71	278.39	14.43	317.33	17.35	369.60	21.66	382.20	22.18	392.00	22.38
80		239.96	12.83	278.39	15.81	317.33	19.03	365.40	23.28	374.85	23.51	385.00	23.74
85		239.96	14.01	278.39	17.30	317.33	20.86	358.40	24.61	366.80	24.84	378.00	25.08
90	239.96	15.27	278.39	18.89	317.33	22.81	349.30	25.92	359.80	26.18	368.90	26.45	
95	239.96	16.63	278.39	20.62	317.33	24.94	341.60	27.49	352.80	27.66	361.20	27.82	
100	239.96	18.12	278.39	22.50	314.53	26.88	334.60	28.59	344.05	28.87	349.30	28.98	
105	239.96	19.87	278.39	24.74	310.49	28.79	326.67	30.11	331.33	30.40	331.33	30.40	
110	239.96	22.12	278.39	27.54	304.27	31.07	310.80	31.93	310.80	31.93	313.60	31.93	
115	239.96	24.59	262.01	30.31	269.73	32.41	270.48	32.51	271.32	32.51	272.16	32.51	
118	231.17	25.12	231.53	28.39	231.97	29.54	232.61	29.63	233.34	29.63	234.06	29.63	
122	198.80	22.86	199.12	25.84	199.49	26.89	200.05	26.97	200.67	26.97	201.29	26.97	
125	170.97	20.80	171.24	23.51	171.57	24.47	172.04	24.54	172.57	24.54	173.11	24.54	
100	5	218.12	7.72	253.40	9.03	288.12	10.40	336.00	12.32	383.60	14.33	431.20	16.39
	14	218.12	7.87	253.40	9.22	288.12	10.62	336.00	12.57	383.60	14.63	431.20	16.73
	25	218.12	8.03	253.40	9.41	288.12	10.83	336.00	12.83	383.60	14.93	431.20	17.07
	30	218.12	8.20	253.40	9.60	288.12	11.07	336.00	13.12	383.60	15.27	431.20	17.46
	35	218.12	8.37	253.40	9.83	288.12	11.34	336.00	13.45	383.60	15.65	431.20	17.89
	40	218.12	8.54	253.40	10.05	288.12	11.61	336.00	13.78	383.60	16.02	431.20	18.32
	45	218.12	8.74	253.40	10.30	288.12	11.90	336.00	14.12	383.60	16.44	427.00	18.47
	50	218.12	8.95	253.40	10.54	288.12	12.19	336.00	14.47	383.60	16.86	422.80	18.61
	55	218.12	9.16	253.40	10.80	288.12	12.50	336.00	14.86	383.60	17.31	415.10	18.47
	60	218.12	9.39	253.40	11.09	288.12	12.84	336.00	15.26	383.60	17.77	406.00	18.60
	65	218.12	9.79	253.40	11.55	288.12	13.38	336.00	15.94	382.55	19.04	394.80	19.86
	70	218.12	9.90	253.40	11.69	288.12	13.80	336.00	17.06	378.00	20.28	392.00	20.88
	75	218.12	10.36	253.40	12.64	288.12	15.13	336.00	18.78	375.20	21.93	383.60	22.21
	80	218.12	11.31	253.40	13.86	288.12	16.59	336.00	20.64	367.85	23.35	376.60	23.54
	85	218.12	12.34	253.40	15.15	288.12	18.17	336.00	22.62	359.80	24.67	369.60	24.88
90	218.12	13.44	253.40	16.53	288.12	19.86	336.00	24.76	352.80	26.00	360.50	26.23	
95	218.12	14.61	253.40	18.00	288.12	21.66	336.00	27.40	344.40	27.49	352.80	27.59	
100	218.12	15.89	253.40	19.61	288.12	23.64	329.00	28.36	337.40	28.68	345.10	28.92	
105	218.12	17.44	253.40	21.56	288.12	26.01	321.07	30.01	328.53	30.25	331.33	30.40	
110	218.12	19.39	253.40	24.01	288.12	29.03	310.80	31.93	310.80	31.93	313.60	31.93	
115	218.12	21.52	253.40	26.72	268.33	31.15	270.48	32.51	271.32	32.51	272.16	32.51	
118	218.12	22.81	222.99	24.92	231.97	28.55	232.61	29.63	233.34	29.63	234.06	29.63	
122	187.58	20.76	191.77	22.68	199.49	25.98	200.05	26.97	200.67	26.97	201.29	26.97	
125	161.32	18.89	164.92	20.64	171.57	23.64	172.04	24.54	172.57	24.54	173.11	24.54	
90	5	196.28	6.93	227.99	8.09	259.84	9.27	302.40	10.93	344.40	12.69	386.40	14.51
	14	196.28	7.08	227.99	8.25	259.84	9.46	302.40	11.16	344.40	12.95	386.40	14.80
	25	196.28	7.22	227.99	8.42	259.84	9.65	302.40	11.38	344.40	13.22	386.40	15.11
	30	196.28	7.36	227.99	8.59	259.84	9.87	302.40	11.65	344.40	13.53	386.40	15.48
	35	196.28	7.52	227.99	8.78	259.84	10.10	302.40	11.94	344.40	13.87	386.40	15.85
	40	196.28	7.68	227.99	8.97	259.84	10.33	302.40	12.23	344.40	14.20	386.40	16.22
	45	196.28	7.85	227.99	9.19	259.84	10.58	302.40	12.53	344.40	14.56	386.40	16.64
50	196.28	8.03	227.99	9.41	259.84	10.83	302.40	12.83	344.40	14.92	386.40	17.06	

Connected Capacity Ratio	Outdoor air temp.	Indoor air temp.											
		DB /WB		DB /WB		DB /WB		DB /WB		DB /WB		DB /WB	
		67°F	57°F	71°F	60°F	75°F	63°F	80°F	67°F	85°F	71°F	90°F	75°F
		Tc	PI	Tc	PI	Tc	PI	Tc	PI	Tc	PI	Tc	PI
°F DB	MBH	kW	MBH	kW	MBH	kW	MBH	kW	MBH	kW	MBH	kW	
45	130.76	5.39	151.97	6.15	173.23	6.94	201.60	8.07	229.88	9.25	258.16	10.49	
50	130.76	5.49	151.97	6.27	173.23	7.09	201.60	8.26	229.88	9.46	258.16	10.73	
55	130.76	5.58	151.97	6.40	173.23	7.25	201.60	8.44	229.88	9.70	258.16	11.02	
60	130.76	5.71	151.97	6.54	173.23	7.42	201.60	8.64	229.88	9.95	258.16	11.31	
65	130.76	5.88	151.97	6.77	173.23	7.70	201.60	8.97	229.88	10.37	258.16	11.79	
70	130.76	5.95	151.97	6.84	173.23	7.77	201.60	9.09	229.88	10.49	258.16	11.91	
75	130.76	6.07	151.97	7.00	173.23	7.98	201.60	9.38	229.88	11.09	258.16	12.94	
80	130.76	6.29	151.97	7.37	173.23	8.55	201.60	10.25	229.88	12.12	258.16	14.18	
85	130.76	6.80	151.97	8.01	173.23	9.30	201.60	11.16	229.88	13.24	258.16	15.49	
90	130.76	7.34	151.97	8.67	173.23	10.10	201.60	12.14	229.88	14.43	258.16	16.91	
95	130.76	7.94	151.97	9.38	173.23	10.94	201.60	13.20	229.88	15.71	258.16	18.41	
100	130.76	8.56	151.97	10.14	173.23	11.85	201.60	14.33	229.88	17.08	258.16	20.08	
105	130.76	9.31	151.97	11.07	173.23	12.95	201.60	15.70	229.88	18.75	258.16	22.05	
110	130.76	10.27	151.97	12.23	173.23	14.34	201.60	17.43	229.88	20.86	258.16	24.59	
115	130.76	11.31	151.97	13.53	173.23	15.88	201.60	19.33	229.88	23.17	258.16	27.36	
118	130.76	11.98	151.97	14.34	173.23	16.83	201.60	20.49	211.49	22.60	234.06	26.29	
122	112.45	10.90	130.69	13.05	148.97	15.32	173.38	18.65	181.88	20.56	201.29	23.92	
125	96.71	9.92	112.40	11.87	128.12	13.94	149.10	16.97	156.42	18.71	173.11	21.77	
5	108.92	4.14	126.56	4.66	144.20	5.19	168.00	5.92	191.66	6.69	213.92	7.49	
14	108.92	4.22	126.56	4.76	144.20	5.30	168.00	6.04	191.66	6.82	213.92	7.65	
25	108.92	4.31	126.56	4.86	144.20	5.41	168.00	6.17	191.66	6.96	213.92	7.80	
30	108.92	4.37	126.56	4.93	144.20	5.50	168.00	6.27	191.66	7.08	213.92	7.97	
35	108.92	4.46	126.56	5.01	144.20	5.59	168.00	6.39	191.66	7.23	213.92	8.14	
40	108.92	4.55	126.56	5.08	144.20	5.67	168.00	6.50	191.66	7.38	213.92	8.31	
45	108.92	4.63	126.56	5.18	144.20	5.78	168.00	6.66	191.66	7.55	213.92	8.50	
50	108.92	4.72	126.56	5.28	144.20	5.89	168.00	6.82	191.66	7.72	213.92	8.69	
55	108.92	4.75	126.56	5.39	144.20	6.05	168.00	6.94	191.66	7.91	213.92	8.93	
60	108.92	4.86	126.56	5.49	144.20	6.18	168.00	7.09	191.66	8.10	213.92	9.15	
65	108.92	4.98	126.56	5.65	144.20	6.37	168.00	7.33	191.66	8.43	213.92	9.54	
70	108.92	5.06	126.56	5.71	144.20	6.41	168.00	7.45	191.66	8.49	213.92	9.23	
75	108.92	5.12	126.56	5.83	144.20	6.51	168.00	7.34	191.66	8.54	213.92	9.87	
80	108.92	5.19	126.56	5.95	144.20	6.80	168.00	7.99	191.66	9.31	213.92	10.77	
85	108.92	5.58	126.56	6.45	144.20	7.37	168.00	8.67	191.66	10.15	213.92	11.71	
90	108.92	5.99	126.56	6.96	144.20	7.98	168.00	9.40	191.66	11.03	213.92	12.75	
95	108.92	6.47	126.56	7.51	144.20	8.62	168.00	10.21	191.66	11.95	213.92	13.84	
100	108.92	6.95	126.56	8.07	144.20	9.29	168.00	11.05	191.66	12.96	213.92	15.06	
105	108.92	7.54	126.56	8.79	144.20	10.11	168.00	12.06	191.66	14.19	213.92	16.46	
110	108.92	8.26	126.56	9.66	144.20	11.16	168.00	13.35	191.66	15.72	213.92	18.41	
115	108.92	9.06	126.56	10.68	144.20	12.33	168.00	14.76	191.66	16.28	213.92	22.21	
118	108.92	9.60	126.56	11.32	144.20	13.07	168.00	15.64	191.66	17.26	213.92	23.54	
122	93.67	8.74	108.84	10.30	124.01	11.89	144.48	14.23	164.83	15.71	183.97	21.42	
125	80.56	7.95	93.60	9.37	106.65	10.82	124.25	12.95	141.75	14.29	158.22	19.49	

50

Table 61 - 38VMA360HDS5-1, 38VMA360HDS6-1

Connected Capacity Ratio	Outdoor air temp.	Indoor air temp.											
		DB /WB		DB /WB		DB /WB		DB /WB		DB /WB		DB /WB	
		67°F	57°F	71°F	60°F	75°F	63°F	80°F	67°F	85°F	71°F	90°F	75°F
		Tc	PI	Tc	PI	Tc	PI	Tc	PI	Tc	PI	Tc	PI
°F DB	MBH	kW	MBH	kW	MBH	kW	MBH	kW	MBH	kW	MBH	kW	
135	5	303.00	11.11	352.50	13.16	403.00	15.28	468.00	18.20	506.57	19.26	518.57	18.48
	14	303.00	11.33	352.50	13.43	403.00	15.60	468.00	18.57	506.57	19.65	518.57	18.86
	25	303.00	11.57	352.50	13.70	403.00	15.92	468.00	18.95	506.57	20.05	518.57	19.24
	30	303.00	11.83	352.50	14.02	403.00	16.28	468.00	19.40	498.00	19.92	510.00	19.09
	35	303.00	12.12	352.50	14.37	403.00	16.68	468.00	19.87	490.50	19.78	502.50	18.93
	40	303.00	12.40	352.50	14.71	403.00	17.09	468.00	20.34	483.00	19.63	495.00	18.77
	45	303.00	12.70	352.50	15.09	403.00	17.54	460.50	20.28	474.00	19.48	486.00	18.60
	50	303.00	13.00	352.50	15.47	403.00	17.99	453.00	20.22	465.00	19.32	477.00	18.43
	55	303.00	13.35	352.50	15.86	403.00	18.44	445.50	20.07	457.50	19.29	469.50	18.91
	60	303.00	13.70	352.50	16.30	403.00	18.95	438.00	20.26	450.00	20.15	462.00	20.37
	65	303.00	14.29	352.50	17.10	401.50	20.33	423.75	21.78	438.00	22.49	450.00	22.73
	70	303.00	14.63	352.50	18.16	397.00	21.53	420.00	22.82	432.00	23.07	444.00	23.32
	75	303.00	16.04	352.50	19.97	393.00	23.15	414.00	24.26	426.00	24.55	438.00	24.80
	80	303.00	17.59	352.50	21.94	386.00	24.80	403.50	25.72	416.63	26.02	429.75	26.30
	85	303.00	19.27	352.50	24.06	381.00	26.52	396.00	27.18	408.00	27.51	420.00	27.83
90	303.00	21.05	352.50	26.24	376.00	28.26	388.50	28.65	400.50	29.00	412.50	29.31	
95	303.00	22.95	348.00	27.94	369.00	29.77	381.00	30.13	391.50	30.48	393.00	30.57	
100	303.00	25.05	340.13	29.57	358.50	31.27	372.00	31.58	374.25	31.63	374.25	31.63	
105	303.00	27.56	335.25	31.53	350.67	33.06	355.00	33.17	355.00	33.17	355.00	33.17	
110	303.00	30.73	325.50	33.82	333.00	34.84	333.00	34.84	333.00	34.84	336.00	34.84	
115	288.00	35.16	288.45	35.16	289.00	35.37	289.80	35.47	290.70	35.47	291.60	35.47	
118	247.68	32.05	248.07	32.05	248.54	32.24	249.23	32.34	250.00	32.34	250.78	32.34	
122	213.00	29.17	213.34	29.17	213.74	29.34	214.34	29.43	215.00	29.43	215.67	29.43	
125	183.18	26.54	183.47	26.54	183.82	26.70	184.33	26.78	184.90	26.78	185.47	26.78	
120	5	280.20	10.19	326.55	12.04	372.00	13.94	432.00	16.59	488.79	19.09	509.57	19.03
	14	280.20	10.39	326.55	12.28	372.00	14.22	432.00	16.92	488.79	19.48	509.57	19.42
	25	280.20	10.61	326.55	12.53	372.00	14.51	432.00	17.27	488.79	19.87	509.57	19.82
	30	280.20	10.83	326.55	12.81	372.00	14.85	432.00	17.67	484.50	20.04	501.00	19.68
	35	280.20	11.08	326.55	13.12	372.00	15.22	432.00	18.11	479.25	20.11	493.50	19.52
	40	280.20	11.33	326.55	13.43	372.00	15.59	432.00	18.55	474.00	20.17	486.00	19.37
	45	280.20	11.61	326.55	13.77	372.00	15.98	432.00	19.04	466.50	20.03	477.00	19.21
	50	280.20	11.90	326.55	14.11	372.00	16.38	432.00	19.52	459.00	19.89	468.00	19.05
	55	280.20	12.21	326.55	14.48	372.00	16.82	432.00	20.04	449.63	19.74	460.50	19.11
	60	280.20	12.52	326.55	14.87	372.00	17.27	429.00	20.37	441.00	20.14	453.00	20.23
	65	280.20	13.05	326.55	15.52	372.00	18.24	417.00	21.30	429.00	22.19	441.00	22.55
	70	280.20	13.22	326.55	16.21	372.00	19.52	414.00	22.70	426.00	22.92	438.00	23.13
	75	280.20	14.38	326.55	17.79	372.00	21.50	405.00	24.14	417.00	24.36	429.00	24.61
	80	280.20	15.73	326.55	19.52	371.50	23.59	397.50	25.56	409.50	25.84	421.50	26.10
	85	280.20	17.22	326.55	21.38	368.00	25.45	390.00	27.01	402.00	27.30	412.50	27.59
90	280.20	18.80	326.55	23.39	363.00	27.14	382.50	28.46	392.25	28.79	403.50	29.11	
95	280.20	20.47	326.55	25.53	358.00	28.87	372.00	30.09	384.00	30.34	393.00	30.57	
100	280.20	22.33	326.55	27.89	351.00	30.68	364.50	31.41	373.13	31.63	374.25	31.63	
105	280.20	24.53	325.05	30.44	346.00	32.71	354.00	33.17	355.00	33.17	355.00	33.17	
110	280.20	27.34	319.80	32.97	333.00	34.84	333.00	34.84	333.00	34.84	336.00	34.84	
115	280.20	30.42	286.50	33.97	289.00	35.37	289.80	35.47	290.70	35.47	291.60	35.47	
118	247.68	28.50	248.07	31.18	248.54	32.24	249.23	32.34	250.00	32.34	250.78	32.34	
122	213.00	25.94	213.34	28.37	213.74	29.34	214.34	29.43	215.00	29.43	215.67	29.43	
125	183.18	23.60	183.47	25.82	183.82	26.70	184.33	26.78	184.90	26.78	185.47	26.78	
110	5	257.10	9.27	298.28	10.92	340.00	12.63	396.00	15.00	451.50	17.46	500.57	19.57
	14	257.10	9.46	298.28	11.14	340.00	12.88	396.00	15.31	451.50	17.81	500.57	19.97
	25	257.10	9.65	298.28	11.37	340.00	13.15	396.00	15.62	451.50	18.18	500.57	20.38
	30	257.10	9.86	298.28	11.62	340.00	13.45	396.00	15.98	451.50	18.61	492.00	20.25
	35	257.10	10.09	298.28	11.90	340.00	13.78	396.00	16.37	451.50	19.07	484.50	20.12
	40	257.10	10.33	298.28	12.19	340.00	14.10	396.00	16.76	451.50	19.52	477.00	20.00
	45	257.10	10.56	298.28	12.48	340.00	14.46	396.00	17.20	448.50	19.78	469.50	19.84
	50	257.10	10.80	298.28	12.78	340.00	14.82	396.00	17.64	445.50	20.03	462.00	19.68
	55	257.10	11.07	298.28	13.11	340.00	15.20	396.00	18.11	441.38	20.19	451.50	19.54
	60	257.10	11.36	298.28	13.46	340.00	15.61	396.00	18.60	434.25	20.35	444.00	20.07
	65	257.10	11.84	298.28	14.05	340.00	16.30	396.00	19.86	420.38	21.53	432.00	22.40
	70	257.10	11.99	298.28	14.42	340.00	17.21	396.00	21.44	417.00	22.77	429.00	22.98
	75	257.10	12.78	298.28	15.74	340.00	18.93	396.00	23.64	409.50	24.20	420.00	24.42
	80	257.10	14.00	298.28	17.25	340.00	20.76	391.50	25.40	401.63	25.65	412.50	25.91
	85	257.10	15.29	298.28	18.88	340.00	22.76	384.00	26.85	393.00	27.11	405.00	27.37
90	257.10	16.67	298.28	20.62	340.00	24.90	374.25	28.28	385.50	28.57	395.25	28.86	
95	257.10	18.14	298.28	22.50	340.00	27.22	366.00	29.99	378.00	30.18	387.00	30.35	
100	257.10	19.77	298.28	24.55	337.00	29.33	358.50	31.19	368.63	31.51	374.25	31.63	
105	257.10	21.68	298.28	26.99	332.67	31.42	350.00	32.86	355.00	33.17	355.00	33.17	
110	257.10	24.14	298.28	30.05	326.00	33.90	333.00	34.84	333.00	34.84	336.00	34.84	
115	257.10	26.84	280.73	33.08	289.00	35.37	289.80	35.47	290.70	35.47	291.60	35.47	

Connected Capacity Ratio	Outdoor air temp.	Indoor air temp.											
		DB /WB		DB /WB		DB /WB		DB /WB		DB /WB		DB /WB	
		67°F	57°F	71°F	60°F	75°F	63°F	80°F	67°F	85°F	71°F	90°F	75°F
		Tc	PI	Tc	PI	Tc	PI	Tc	PI	Tc	PI	Tc	PI
°F DB	MBH	kW	MBH	kW	MBH	kW	MBH	kW	MBH	kW	MBH	kW	
100	118	247.68	27.41	248.07	30.98	248.54	32.24	249.23	32.34	250.00	32.34	250.78	32.34
	122	213.00	24.94	213.34	28.20	213.74	29.34	214.34	29.43	215.00	29.43	215.67	29.43
	125	183.18	22.70	183.47	25.66	183.82	26.70	184.33	26.78	184.90	26.78	185.47	26.78
	5	233.70	8.42	271.50	9.86	308.70	11.35	360.00	13.45	411.00	15.64	462.00	17.89
	14	233.70	8.59	271.50	10.06	308.70	11.58	360.00	13.72	411.00	15.96	462.00	18.26
	25	233.70	8.77	271.50	10.26	308.70	11.82	360.00	14.00	411.00	16.29	462.00	18.63
	30	233.70	8.95	271.50	10.48	308.70	12.07	360.00	14.31	411.00	16.67	462.00	19.05
	35	233.70	9.13	271.50	10.72	308.70	12.37	360.00	14.68	411.00	17.08	462.00	19.52
	40	233.70	9.32	271.50	10.97	308.70	12.67	360.00	15.04	411.00	17.48	462.00	20.00
	45	233.70	9.54	271.50	11.24	308.70	12.99	360.00	15.41	411.00	17.94	457.50	20.15
	50	233.70	9.76	271.50	11.50	308.70	13.30	360.00	15.79	411.00	18.39	453.00	20.31
	55	233.70	10.00	271.50	11.78	308.70	13.64	360.00	16.22	411.00	18.89	444.75	20.16
	60	233.70	10.25	271.50	12.10	308.70	14.01	360.00	16.65	411.00	19.39	435.00	20.29
	65	233.70	10.69	271.50	12.60	308.70	14.60	360.00	17.39	409.88	20.78	423.00	21.68
	70	233.70	10.80	271.50	12.75	308.70	15.06	360.00	18.61	405.00	22.13	420.00	22.79
	75	233.70	11.30	271.50	13.80	308.70	16.51	360.00	20.50	402.00	23.94	411.00	24.23
	80	233.70	12.34	271.50	15.12	308.70	18.10	360.00	22.52	394.13	25.48	403.50	25.69
	85	233.70	13.47	271.50	16.53	308.70	19.83	360.00	24.69	385.50	26.92	396.00	27.15
	90	233.70	14.67	271.50	18.04	308.70	21.67	360.00	27.02	378.00	28.37	386.25	28.62
	95	233.70	15.95	271.50	19.64	308.70	23.64	360.00	29.90	369.00	29.99	378.00	30.10
100	233.70	17.34	271.50	21.40	308.70	25.80	352.50	30.95	361.50	31.29	369.75	31.56	
105	233.70	19.03	271.50	23.52	308.70	28.39	344.00	32.75	352.00	33.01	355.00	33.17	
110	233.70	21.16	271.50	26.20	308.70	31.68	333.00	34.84	333.00	34.84	336.00	34.84	
115	233.70	23.48	271.50	29.15	287.50	34.00	289.80	35.47	290.70	35.47	291.60	35.47	
118	233.70	24.89	238.92	27.19	248.54	31.15	249.23	32.34	250.00	32.34	250.78	32.34	
122	200.98	22.65	205.47	24.75	213.74	28.35	214.34	29.43	215.00	29.43	215.67	29.43	
125	172.84	20.61	176.71	22.52	183.82	25.80	184.33	26.78	184.90	26.78	185.47	26.78	
5	210.30	7.57	244.28	8.82	278.40	10.12	324.00	11.93	369.00	13.85	414.00	15.83	
14	210.30	7.72	244.28	9.00	278.40	10.32	324.00	12.17	369.00	14.13	414.00	16.15	
25	210.30	7.88	244.28	9.19	278.40	10.54	324.00	12.42	369.00	14.42	414.00	16.48	
30	210.30	8.04	244.28	9.38	278.40	10.77	324.00	12.71	369.00	14.77	414.00	16.89	
35	210.30	8.21	244.28	9.59	278.40	11.02	324.00	13.03	369.00	15.13	414.00	17.30	
40	210.30	8.38	244.28	9.79	278.40	11.27	324.00	13.34	369.00	15.49	414.00	17.70	
45	210.30	8.57	244.28	10.03	278.40	11.54	324.00	13.67	369.00	15.88	414.00	18.16	
50	210.30	8.76	244.28	10.26	278.40	11.81	324.00	14.00	369.00	16.28	414.00	18.61	
55	210.30	8.95	244.28	10.50	278.40	12.11	324.00	14.36	369.00	16.71	414.00	19.12	
60	210.30	9.17	244.28	10.77	278.40	12.43	324.00	14.75	369.00	17.16	414.00	19.63	
65	210.30	9.54	244.28	11.22	278.40	12.94	324.00	15.38	369.00	18.04	414.00	21.20	
70	210.30	9.64	244.28	11.36	278.40	13.12	324.00	16.01	369.00	19.37	411.00	22.63	
75	210.30	9.92	244.28	12.01	278.40	14.26	324.00	17.58	369.00	21.31	402.00	24.05	
80	210.30	10.81	244.28	13.13	278.40	15.63	324.00	19.31	369.00	23.42	394.50	25.50	
85	210.30	11.79	244.28	14.34	278.40	17.09	324.00	21.14	368.25	25.56	387.00	26.93	
90	210.30	12.82	244.28	15.62	278.40	18.64	324.00	23.11	364.13	27.51	379.50	28.39	
95	210.30	13.91	244.28	16.99	278.40	20.32	324.00	25.24	360.00	29.49	369.00	29.85	
100	210.30	15.10	244.28	18.50	278.40	22.16	324.00	27.55	354.00	31.03	361.50	31.34	
105	210.30	16.54	244.28	20.29	278.40	24.35	324.00	30.33	345.50	32.80	353.00	33.17	
110	210.30	18.36	244.28	22.58	278.40	27.12	324.00	33.90	333.00	34.84	336.00	34.84	
115	210.30	20.34	244.28	25.07	278.00	32.53	289.80	35.47	290.70	35.47	291.60	35.47	
118	210.30	21.56	238.92	26.00	241.86	30.00	249.23	32.34	250.00	32.34	250.78	32.34	
122	180.86	19.62	205.47	23.66	208.00	27.30	214.34	29.43	215.00	29.43	215.67	29.43	
125	155.54	17.86	176.71	21.53	178.88	24.84	184.33	26.78	184.90	26.78	185.47	26.78	
5	186.90	6.77	217.28	7.83	247.60	8.93	288.00	10.49	328.50	12.13	369.00	13.82	
14	186.90	6.90	217.28	7.99	247.60	9.11	288.00	10.70	328.50	12.37	369.00	14.10	
25	186.90	7.04	217.28	8.15	247.60	9.30	288.00	10.92	328.50	12.63	369.00	14.39	
30	186.90	7.16	217.28	8.31	247.60	9.49	288.00	11.14	328.50	12.92	369.00	14.72	
35	186.90	7.31	217.28	8.49	247.60	9.71	288.00	11.41	328.50	13.22	369.00	15.08	
40	186.90	7.47	217.28	8.67	247.60	9.93	288.00	11.68	328.50	13.53	369.00	15.44	
45	186.90	7.63	217.28	8.86	247.60	10.15	288.00	11.98	328.50	13.87	369.00	15.85	
50	186.90	7.78	217.28	9.06	247.60	10.38	288.00	12.27	328.50	14.22	369.00	16.26	
55	186.90	7.95	217.28	9.27	247.60	10.64	288.00	12.56	328.50	14.60	369.00	16.69	
60	186.90	8.15	217.28	9.50	247.60	10.91	288.00	12.90	328.50	14.99	369.00	17.14	
65	186.90	8.46	217.28	9.88	247.60	11.38	288.00	13.43	328.50	15.64	369.00	17.99	
70	186.90	8.54	217.28	10.00	247.60	11.51	288.00	13.62	328.50	16.32	369.00	19.31	
75	186.90	8.76	217.28	10.38	247.60	12.20	288.00	14.91	328.50	17.96	369.00	21.25	
80	186.90	9.39	217.28	11.29	247.60	13.33	288.00	16.34	328.50	19.69	369.00	23.35	
85	186.90	10.20	217.28	12.31	247.60	14.57	288.00	17.88	328.50	21.57	369.00	25.61	
90	186.90	11.09	217.28	13.40	247.60	15.88	288.00	19.51	328.50	23.59	369.00	27.97	
95	186.90	12.02	217.28	14.54	247.60	17.26	288.00	21.28	328.50	25.76	363.00	29.60	
100	186.90	13.02	217.28	15.80	247.60	18.80	288.00	23.20	328.50	28.14	352.50	31.08	
105	186.90	14.22	217.28	17.30	247.60	20.62	288.00	25.51	328.50	30.94	346.00	32.86	
110	186.90	15.76	217.28	19.22	247.60	22.95	288.00	28.44	325.50	33.90	336.00	34.84	

Connected Capacity Ratio	Outdoor air temp.	Indoor air temp.											
		DB /WB		DB /WB		DB /WB		DB /WB		DB /WB		DB /WB	
		67° F	57° F	71° F	60° F	75° F	63° F	80° F	67° F	85° F	71° F	90° F	75° F
		Tc	PI	Tc	PI	Tc	PI	Tc	PI	Tc	PI	Tc	PI
°F DB	MBH	kW	MBH	kW	MBH	kW	MBH	kW	MBH	kW	MBH	kW	
70	115	186.90	17.45	217.28	21.31	247.60	25.49	288.00	31.70	290.70	35.47	291.60	35.47
	118	186.90	18.50	217.28	22.59	241.86	26.39	249.23	29.08	250.00	32.34	250.78	32.34
	122	160.73	16.84	186.86	20.56	208.00	24.02	214.34	26.47	215.00	29.43	215.67	29.43
	125	138.23	15.32	160.70	18.71	178.88	21.86	184.33	24.08	184.90	26.78	185.47	26.78
	5	163.50	5.98	190.05	6.87	216.70	7.80	252.00	9.09	287.25	10.45	324.00	11.89
	14	163.50	6.10	190.05	7.01	216.70	7.95	252.00	9.28	287.25	10.67	324.00	12.13
	25	163.50	6.23	190.05	7.15	216.70	8.12	252.00	9.47	287.25	10.89	324.00	12.38
	30	163.50	6.34	190.05	7.28	216.70	8.27	252.00	9.67	287.25	11.14	324.00	12.65
	35	163.50	6.47	190.05	7.44	216.70	8.45	252.00	9.89	287.25	11.40	324.00	12.96
	40	163.50	6.59	190.05	7.60	216.70	8.63	252.00	10.11	287.25	11.66	324.00	13.28
	45	163.50	6.72	190.05	7.77	216.70	8.84	252.00	10.34	287.25	11.94	324.00	13.61
	50	163.50	6.84	190.05	7.93	216.70	9.04	252.00	10.58	287.25	12.23	324.00	13.94
	55	163.50	7.00	190.05	8.09	216.70	9.23	252.00	10.85	287.25	12.54	324.00	14.30
	60	163.50	7.16	190.05	8.29	216.70	9.46	252.00	11.13	287.25	12.88	324.00	14.69
	65	163.50	7.41	190.05	8.61	216.70	9.84	252.00	11.59	287.25	13.42	324.00	15.32
	70	163.50	7.47	190.05	8.70	216.70	9.96	252.00	11.71	287.25	13.62	324.00	15.92
	75	163.50	7.66	190.05	8.91	216.70	10.31	252.00	12.46	287.25	14.88	324.00	17.48
	80	163.50	8.05	190.05	9.59	216.70	11.23	252.00	13.65	287.25	16.30	324.00	19.20
	85	163.50	8.76	190.05	10.44	216.70	12.25	252.00	14.89	287.25	17.82	324.00	21.03
	90	163.50	9.49	190.05	11.34	216.70	13.33	252.00	16.24	287.25	19.46	324.00	22.99
95	163.50	10.26	190.05	12.29	216.70	14.47	252.00	17.67	287.25	21.24	324.00	25.08	
100	163.50	11.10	190.05	13.33	216.70	15.72	252.00	19.23	287.25	23.13	324.00	27.39	
105	163.50	12.10	190.05	14.56	216.70	17.22	252.00	21.09	287.25	25.44	324.00	30.17	
110	163.50	13.40	190.05	16.16	216.70	19.13	252.00	23.48	287.25	28.36	324.00	33.59	
115	163.50	14.78	190.05	17.87	216.70	21.20	252.00	26.09	284.70	32.80	291.60	35.47	
118	163.50	15.67	190.05	18.94	216.70	22.47	226.80	24.89	250.00	30.53	250.78	32.34	
122	140.61	14.26	163.44	17.24	186.36	20.45	195.05	22.65	215.00	27.79	215.67	29.43	
125	120.92	12.98	140.56	15.69	160.27	18.61	167.74	20.61	184.90	25.28	185.47	26.78	
5	140.10	5.25	162.83	5.98	185.60	6.73	216.00	7.78	246.30	8.88	276.60	10.03	
14	140.10	5.36	162.83	6.10	185.60	6.87	216.00	7.94	246.30	9.06	276.60	10.24	
25	140.10	5.47	162.83	6.23	185.60	7.01	216.00	8.10	246.30	9.24	276.60	10.45	
30	140.10	5.56	162.83	6.33	185.60	7.14	216.00	8.26	246.30	9.43	276.60	10.67	
35	140.10	5.67	162.83	6.45	185.60	7.27	216.00	8.43	246.30	9.64	276.60	10.92	
40	140.10	5.78	162.83	6.58	185.60	7.41	216.00	8.60	246.30	9.86	276.60	11.18	
45	140.10	5.89	162.83	6.71	185.60	7.57	216.00	8.81	246.30	10.09	276.60	11.44	
50	140.10	6.00	162.83	6.84	185.60	7.73	216.00	9.01	246.30	10.33	276.60	11.71	
55	140.10	6.09	162.83	6.98	185.60	7.92	216.00	9.21	246.30	10.59	276.60	12.02	
60	140.10	6.23	162.83	7.14	185.60	8.10	216.00	9.43	246.30	10.86	276.60	12.34	
65	140.10	6.42	162.83	7.39	185.60	8.40	216.00	9.79	246.30	11.31	276.60	12.86	
70	140.10	6.50	162.83	7.46	185.60	8.48	216.00	9.92	246.30	11.44	276.60	13.00	
75	140.10	6.62	162.83	7.64	185.60	8.71	216.00	10.23	246.30	12.10	276.60	14.13	
80	140.10	6.86	162.83	8.04	185.60	9.33	216.00	11.18	246.30	13.23	276.60	15.48	
85	140.10	7.42	162.83	8.74	185.60	10.14	216.00	12.18	246.30	14.45	276.60	16.90	
90	140.10	8.01	162.83	9.47	185.60	11.02	216.00	13.25	246.30	15.75	276.60	18.45	
95	140.10	8.66	162.83	10.24	185.60	11.94	216.00	14.41	246.30	17.14	276.60	20.09	
100	140.10	9.34	162.83	11.07	185.60	12.93	216.00	15.64	246.30	18.64	276.60	21.91	
105	140.10	10.16	162.83	12.07	185.60	14.13	216.00	17.13	246.30	20.46	276.60	24.07	
110	140.10	11.21	162.83	13.35	185.60	15.65	216.00	19.02	246.30	22.76	276.60	26.84	
115	140.10	12.34	162.83	14.76	185.60	17.33	216.00	21.09	246.30	25.29	276.60	29.85	
118	140.10	13.08	162.83	15.65	185.60	18.37	216.00	22.36	226.60	24.66	250.78	28.69	
122	120.49	11.90	140.03	14.24	159.62	16.71	185.76	20.35	194.87	22.44	215.67	26.11	
125	103.62	10.83	120.43	12.96	137.27	15.21	159.75	18.52	167.59	20.42	185.47	23.76	
5	116.70	4.52	135.60	5.09	154.50	5.67	180.00	6.46	205.35	7.30	229.20	8.18	
14	116.70	4.61	135.60	5.19	154.50	5.78	180.00	6.60	205.35	7.45	229.20	8.35	
25	116.70	4.70	135.60	5.30	154.50	5.90	180.00	6.73	205.35	7.60	229.20	8.52	
30	116.70	4.77	135.60	5.38	154.50	6.01	180.00	6.84	205.35	7.72	229.20	8.70	
35	116.70	4.87	135.60	5.47	154.50	6.10	180.00	6.97	205.35	7.89	229.20	8.88	
40	116.70	4.96	135.60	5.55	154.50	6.18	180.00	7.09	205.35	8.05	229.20	9.07	
45	116.70	5.05	135.60	5.65	154.50	6.30	180.00	7.27	205.35	8.24	229.20	9.28	
50	116.70	5.15	135.60	5.76	154.50	6.42	180.00	7.44	205.35	8.43	229.20	9.48	
55	116.70	5.18	135.60	5.88	154.50	6.60	180.00	7.57	205.35	8.63	229.20	9.75	
60	116.70	5.31	135.60	5.99	154.50	6.74	180.00	7.74	205.35	8.84	229.20	9.98	
65	116.70	5.43	135.60	6.17	154.50	6.96	180.00	8.00	205.35	9.20	229.20	10.41	
70	116.70	5.52	135.60	6.23	154.50	6.99	180.00	8.13	205.35	9.26	229.20	10.08	
75	116.70	5.59	135.60	6.36	154.50	7.10	180.00	8.00	205.35	9.32	229.20	10.77	
80	116.70	5.67	135.60	6.50	154.50	7.42	180.00	8.72	205.35	10.16	229.20	11.76	
85	116.70	6.09	135.60	7.04	154.50	8.04	180.00	9.46	205.35	11.07	229.20	12.78	
90	116.70	6.54	135.60	7.60	154.50	8.71	180.00	10.26	205.35	12.03	229.20	13.91	
95	116.70	7.06	135.60	8.19	154.50	9.41	180.00	11.14	205.35	13.04	229.20	15.10	
100	116.70	7.58	135.60	8.81	154.50	10.14	180.00	12.05	205.35	14.15	229.20	16.43	
105	116.70	8.22	135.60	9.59	154.50	11.04	180.00	13.16	205.35	15.48	229.20	17.97	

Connected Capacity Ratio	Outdoor air temp.	Indoor air temp.											
		DB /WB		DB /WB		DB /WB		DB /WB		DB /WB		DB /WB	
		67°F	57°F	71°F	60°F	75°F	63°F	80°F	67°F	85°F	71°F	90°F	75°F
		Tc	PI	Tc	PI	Tc	PI	Tc	PI	Tc	PI	Tc	PI
°F DB	MBH	kW	MBH	kW	MBH	kW	MBH	kW	MBH	kW	MBH	kW	
110	116.70	9.01	135.60	10.54	154.50	12.18	180.00	14.57	205.35	17.15	229.20	20.09	
115	116.70	9.89	135.60	11.65	154.50	13.46	180.00	16.10	205.35	17.77	229.20	24.23	
118	116.70	10.48	135.60	12.35	154.50	14.26	180.00	17.07	205.35	18.83	229.20	25.69	
122	100.36	9.54	116.62	11.24	132.87	12.98	154.80	15.53	176.60	17.14	197.11	23.38	
125	86.31	8.68	100.29	10.23	114.27	11.81	133.13	14.14	151.88	15.60	169.52	21.27	

Table 62 - 38VMA384HDS5-1, 38VMA384HDS6-1

Connected Capacity Ratio	Outdoor air temp.	Indoor air temp.											
		DB /WB		DB /WB		DB /WB		DB /WB		DB /WB		DB /WB	
		67°F	57°F	71°F	60°F	75°F	63°F	80°F	67°F	85°F	71°F	90°F	75°F
		Tc	PI	Tc	PI	Tc	PI	Tc	PI	Tc	PI	Tc	PI
°F DB	MBH	kW	MBH	kW	MBH	kW	MBH	kW	MBH	kW	MBH	kW	
5	323.20	13.34	376.00	15.80	429.87	18.35	499.20	21.85	540.34	23.12	553.14	22.19	
14	323.20	13.61	376.00	16.13	429.87	18.73	499.20	22.30	540.34	23.59	553.14	22.64	
25	323.20	13.89	376.00	16.45	429.87	19.11	499.20	22.75	540.34	24.08	553.14	23.10	
30	323.20	14.21	376.00	16.84	429.87	19.55	499.20	23.29	531.20	23.91	544.00	22.92	
35	323.20	14.55	376.00	17.25	429.87	20.03	499.20	23.86	523.20	23.74	536.00	22.73	
40	323.20	14.89	376.00	17.66	429.87	20.52	499.20	24.42	515.20	23.57	528.00	22.54	
45	323.20	15.25	376.00	18.11	429.87	21.06	491.20	24.35	505.60	23.39	518.40	22.33	
50	323.20	15.60	376.00	18.57	429.87	21.60	483.20	24.27	496.00	23.20	508.80	22.12	
55	323.20	16.03	376.00	19.05	429.87	22.14	475.20	24.09	488.00	23.16	500.80	22.70	
60	323.20	16.45	376.00	19.58	429.87	22.75	467.20	24.33	480.00	24.20	492.80	24.46	
65	323.20	17.16	376.00	20.54	428.27	24.41	452.00	26.15	467.20	27.00	480.00	27.30	
70	323.20	17.56	376.00	21.80	423.47	25.86	448.00	27.40	460.80	27.70	473.60	28.00	
75	323.20	19.26	376.00	23.98	419.20	27.79	441.60	29.13	454.40	29.47	467.20	29.77	
80	323.20	21.13	376.00	26.35	411.73	29.77	430.40	30.88	444.40	31.24	458.40	31.57	
85	323.20	23.14	376.00	28.89	406.40	31.84	422.40	32.64	435.20	33.04	448.00	33.41	
90	323.20	25.27	376.00	31.51	401.07	33.93	414.40	34.40	427.20	34.83	440.00	35.19	
95	323.20	27.55	371.20	33.54	393.60	35.74	406.40	36.18	417.60	36.60	419.20	36.71	
100	323.20	30.08	362.80	35.50	382.40	37.55	396.80	37.92	399.20	37.97	399.20	37.97	
105	323.20	33.09	357.60	37.86	374.04	39.70	378.67	39.83	378.67	39.83	378.67	39.83	
110	323.20	36.90	347.20	40.60	355.20	41.84	355.20	41.84	355.20	41.84	358.40	41.84	
115	307.20	42.21	307.68	42.21	308.27	42.46	309.12	42.59	310.08	42.59	311.04	42.59	
118	264.19	38.48	264.60	38.48	265.11	38.71	265.84	38.82	266.67	38.82	267.49	38.82	
122	227.21	35.02	227.56	35.02	227.99	35.23	228.63	35.33	229.34	35.33	230.05	35.33	
125	195.40	31.87	195.70	31.87	196.07	32.06	196.62	32.15	197.23	32.15	197.84	32.15	
5	298.88	12.23	348.32	14.45	396.80	16.73	460.80	19.91	521.37	22.92	543.54	22.85	
14	298.88	12.48	348.32	14.75	396.80	17.07	460.80	20.32	521.37	23.39	543.54	23.32	
25	298.88	12.73	348.32	15.05	396.80	17.42	460.80	20.73	521.37	23.86	543.54	23.79	
30	298.88	13.00	348.32	15.38	396.80	17.83	460.80	21.22	516.80	24.06	534.40	23.63	
35	298.88	13.30	348.32	15.75	396.80	18.27	460.80	21.75	511.20	24.14	526.40	23.44	
40	298.88	13.61	348.32	16.12	396.80	18.72	460.80	22.27	505.60	24.22	518.40	23.25	
45	298.88	13.95	348.32	16.53	396.80	19.19	460.80	22.86	497.60	24.05	508.80	23.07	
50	298.88	14.28	348.32	16.94	396.80	19.66	460.80	23.44	489.60	23.88	499.20	22.88	
55	298.88	14.66	348.32	17.39	396.80	20.20	460.80	24.06	479.60	23.70	491.20	22.94	
60	298.88	15.04	348.32	17.85	396.80	20.74	457.60	24.46	470.40	24.18	483.20	24.29	
65	298.88	15.67	348.32	18.63	396.80	21.90	444.80	25.57	457.60	26.64	470.40	27.08	
70	298.88	15.87	348.32	19.46	396.80	23.44	441.60	27.25	454.40	27.51	467.20	27.78	
75	298.88	17.26	348.32	21.36	396.80	25.82	432.00	28.98	444.80	29.25	457.60	29.55	
80	298.88	18.89	348.32	23.44	396.27	28.32	424.00	30.69	436.80	31.03	449.60	31.34	
85	298.88	20.67	348.32	25.68	392.53	30.56	416.00	32.43	428.80	32.78	440.00	33.13	
90	298.88	22.57	348.32	28.09	387.20	32.58	408.00	34.18	418.40	34.56	430.40	34.95	
95	298.88	24.57	348.32	30.65	381.87	34.66	396.80	36.13	409.60	36.43	419.20	36.71	
100	298.88	26.81	348.32	33.49	374.40	36.84	388.80	37.72	398.00	37.97	399.20	37.97	
105	298.88	29.45	346.72	36.55	369.07	39.27	377.60	39.83	378.67	39.83	378.67	39.83	
110	298.88	32.83	341.12	39.58	355.20	41.84	355.20	41.84	355.20	41.84	358.40	41.84	
115	298.88	36.52	305.60	40.79	308.27	42.46	309.12	42.59	310.08	42.59	311.04	42.59	
118	264.19	34.22	264.60	37.44	265.11	38.71	265.84	38.82	266.67	38.82	267.49	38.82	
122	227.21	31.14	227.56	34.07	227.99	35.23	228.63	35.33	229.34	35.33	230.05	35.33	
125	195.40	28.34	195.70	31.00	196.07	32.06	196.62	32.15	197.23	32.15	197.84	32.15	
5	274.24	11.13	318.16	13.11	362.67	15.16	422.40	18.01	481.60	20.96	533.94	23.50	
14	274.24	11.36	318.16	13.38	362.67	15.47	422.40	18.38	481.60	21.39	533.94	23.98	
25	274.24	11.59	318.16	13.65	362.67	15.78	422.40	18.75	481.60	21.83	533.94	24.47	
30	274.24	11.83	318.16	13.95	362.67	16.14	422.40	19.18	481.60	22.35	524.80	24.31	
35	274.24	12.12	318.16	14.29	362.67	16.54	422.40	19.66	481.60	22.90	516.80	24.16	
40	274.24	12.40	318.16	14.63	362.67	16.94	422.40	20.13	481.60	23.44	508.80	24.01	
45	274.24	12.68	318.16	14.99	362.67	17.36	422.40	20.65	478.40	23.74	500.80	23.82	
50	274.24	12.97	318.16	15.34	362.67	17.79	422.40	21.18	475.20	24.05	492.80	23.63	
55	274.24	13.30	318.16	15.74	362.67	18.25	422.40	21.75	470.80	24.24	481.60	23.46	
60	274.24	13.64	318.16	16.16	362.67	18.74	422.40	22.33	463.20	24.43	473.60	24.10	
65	274.24	14.22	318.16	16.87	362.67	19.57	422.40	23.85	448.40	25.85	460.80	26.89	

Connected Capacity Ratio	Outdoor air temp.	Indoor air temp.											
		DB /WB		DB /WB		DB /WB		DB /WB		DB /WB		DB /WB	
		67° F	57° F	71° F	60° F	75° F	63° F	80° F	67° F	85° F	71° F	90° F	75° F
		Tc	PI	Tc	PI	Tc	PI	Tc	PI	Tc	PI	Tc	PI
°F DB	MBH	kW	MBH	kW	MBH	kW	MBH	kW	MBH	kW	MBH	kW	
100	70	274.24	14.40	318.16	17.31	362.67	20.67	422.40	25.74	444.80	27.34	457.60	27.59
	75	274.24	15.34	318.16	18.90	362.67	22.73	422.40	28.38	436.80	29.06	448.00	29.32
	80	274.24	16.81	318.16	20.71	362.67	24.93	417.60	30.50	428.40	30.80	440.00	31.10
	85	274.24	18.35	318.16	22.67	362.67	27.33	409.60	32.24	419.20	32.55	432.00	32.87
	90	274.24	20.01	318.16	24.76	362.67	29.89	399.20	33.96	411.20	34.30	421.60	34.66
	95	274.24	21.78	318.16	27.01	362.67	32.68	390.40	36.01	403.20	36.24	412.80	36.45
	100	274.24	23.74	318.16	29.47	359.47	35.22	382.40	37.45	393.20	37.83	399.20	37.97
	105	274.24	26.03	318.16	32.41	354.84	37.73	373.33	39.45	378.67	39.83	378.67	39.83
	110	274.24	28.98	318.16	36.08	347.73	40.70	355.20	41.84	355.20	41.84	358.40	41.84
	115	274.24	32.22	299.44	39.72	308.27	42.46	309.12	42.59	310.08	42.59	311.04	42.59
	118	264.19	32.91	264.60	37.20	265.11	38.71	265.84	38.82	266.67	38.82	267.49	38.82
	122	227.21	29.95	227.56	33.85	227.99	35.23	228.63	35.33	229.34	35.33	230.05	35.33
	125	195.40	27.25	195.70	30.81	196.07	32.06	196.62	32.15	197.23	32.15	197.84	32.15
	5	249.28	10.11	289.60	11.84	329.28	13.63	384.00	16.14	438.40	18.78	492.80	21.48
	14	249.28	10.32	289.60	12.08	329.28	13.91	384.00	16.47	438.40	19.16	492.80	21.92
	25	249.28	10.53	289.60	12.32	329.28	14.19	384.00	16.81	438.40	19.56	492.80	22.37
	30	249.28	10.74	289.60	12.58	329.28	14.50	384.00	17.19	438.40	20.01	492.80	22.88
	35	249.28	10.97	289.60	12.88	329.28	14.86	384.00	17.62	438.40	20.50	492.80	23.44
	40	249.28	11.19	289.60	13.17	329.28	15.21	384.00	18.05	438.40	20.99	492.80	24.01
	45	249.28	11.46	289.60	13.49	329.28	15.59	384.00	18.51	438.40	21.54	488.00	24.20
	50	249.28	11.72	289.60	13.81	329.28	15.97	384.00	18.96	438.40	22.09	483.20	24.39
	55	249.28	12.00	289.60	14.15	329.28	16.37	384.00	19.48	438.40	22.68	474.40	24.21
	60	249.28	12.31	289.60	14.52	329.28	16.82	384.00	19.99	438.40	23.28	464.00	24.37
	65	249.28	12.83	289.60	15.13	329.28	17.54	384.00	20.88	437.20	24.95	451.20	26.02
	70	249.28	12.97	289.60	15.31	329.28	18.08	384.00	22.35	432.00	26.57	448.00	27.36
75	249.28	13.57	289.60	16.56	329.28	19.82	384.00	24.61	428.80	28.74	438.40	29.10	
80	249.28	14.81	289.60	18.15	329.28	21.74	384.00	27.04	420.40	30.59	430.40	30.84	
85	249.28	16.17	289.60	19.84	329.28	23.81	384.00	29.64	411.20	32.32	422.40	32.60	
90	249.28	17.61	289.60	21.66	329.28	26.02	384.00	32.44	403.20	34.06	412.00	34.36	
95	249.28	19.15	289.60	23.58	329.28	28.38	384.00	35.90	393.60	36.01	403.20	36.14	
100	249.28	20.82	289.60	25.69	329.28	30.97	376.00	37.16	385.60	37.57	394.40	37.89	
105	249.28	22.85	289.60	28.24	329.28	34.08	366.93	39.32	375.47	39.64	378.67	39.83	
110	249.28	25.40	289.60	31.45	329.28	38.04	355.20	41.84	355.20	41.84	358.40	41.84	
115	249.28	28.19	289.60	35.00	306.67	40.82	309.12	42.59	310.08	42.59	311.04	42.59	
118	249.28	29.88	254.85	32.65	265.11	37.40	265.84	38.82	266.67	38.82	267.49	38.82	
122	214.38	27.19	219.17	29.71	227.99	34.04	228.63	35.33	229.34	35.33	230.05	35.33	
125	184.37	24.75	188.49	27.04	196.07	30.97	196.62	32.15	197.23	32.15	197.84	32.15	
5	224.32	9.09	260.56	10.59	296.96	12.15	345.60	14.32	393.60	16.63	441.60	19.01	
14	224.32	9.27	260.56	10.81	296.96	12.40	345.60	14.62	393.60	16.97	441.60	19.40	
25	224.32	9.46	260.56	11.03	296.96	12.65	345.60	14.91	393.60	17.32	441.60	19.79	
30	224.32	9.65	260.56	11.26	296.96	12.93	345.60	15.26	393.60	17.73	441.60	20.28	
35	224.32	9.86	260.56	11.51	296.96	13.23	345.60	15.64	393.60	18.17	441.60	20.77	
40	224.32	10.06	260.56	11.76	296.96	13.53	345.60	16.02	393.60	18.60	441.60	21.26	
45	224.32	10.29	260.56	12.04	296.96	13.86	345.60	16.41	393.60	19.07	441.60	21.80	
50	224.32	10.52	260.56	12.32	296.96	14.18	345.60	16.81	393.60	19.54	441.60	22.35	
55	224.32	10.75	260.56	12.60	296.96	14.54	345.60	17.24	393.60	20.07	441.60	22.96	
60	224.32	11.01	260.56	12.93	296.96	14.93	345.60	17.71	393.60	20.61	441.60	23.57	
65	224.32	11.46	260.56	13.47	296.96	15.54	345.60	18.47	393.60	21.66	441.60	25.46	
70	224.32	11.57	260.56	13.63	296.96	15.75	345.60	19.22	393.60	23.25	438.40	27.17	
75	224.32	11.91	260.56	14.43	296.96	17.12	345.60	21.11	393.60	25.59	428.80	28.87	
80	224.32	12.97	260.56	15.77	296.96	18.77	345.60	23.19	393.60	28.12	420.80	30.61	
85	224.32	14.15	260.56	17.22	296.96	20.52	345.60	25.38	392.80	30.69	412.80	32.34	
90	224.32	15.39	260.56	18.75	296.96	22.38	345.60	27.75	388.40	33.03	404.80	34.09	
95	224.32	16.70	260.56	20.40	296.96	24.40	345.60	30.30	384.00	35.41	393.60	35.84	
100	224.32	18.13	260.56	22.21	296.96	26.60	345.60	33.08	377.60	37.25	385.60	37.63	
105	224.32	19.86	260.56	24.37	296.96	29.23	345.60	36.42	368.53	39.39	376.53	39.83	
110	224.32	22.05	260.56	27.11	296.96	32.56	345.60	40.70	355.20	41.84	358.40	41.84	
115	224.32	24.42	260.56	30.10	296.53	39.06	309.12	42.59	310.08	42.59	311.04	42.59	
118	224.32	25.89	254.85	31.21	257.98	36.02	265.84	38.82	266.67	38.82	267.49	38.82	
122	192.92	23.56	219.17	28.40	221.87	32.78	228.63	35.33	229.34	35.33	230.05	35.33	
125	165.91	21.44	188.49	25.85	190.80	29.83	196.62	32.15	197.23	32.15	197.84	32.15	
5	199.36	8.12	231.76	9.40	264.11	10.72	307.20	12.59	350.40	14.56	393.60	16.59	
14	199.36	8.29	231.76	9.59	264.11	10.94	307.20	12.85	350.40	14.86	393.60	16.93	
25	199.36	8.46	231.76	9.78	264.11	11.16	307.20	13.11	350.40	15.16	393.60	17.27	
30	199.36	8.59	231.76	9.98	264.11	11.39	307.20	13.38	350.40	15.51	393.60	17.68	
35	199.36	8.78	231.76	10.20	264.11	11.66	307.20	13.70	350.40	15.88	393.60	18.11	
40	199.36	8.97	231.76	10.41	264.11	11.92	307.20	14.02	350.40	16.24	393.60	18.54	
45	199.36	9.16	231.76	10.64	264.11	12.19	307.20	14.38	350.40	16.66	393.60	19.03	
50	199.36	9.35	231.76	10.87	264.11	12.46	307.20	14.74	350.40	17.07	393.60	19.52	
55	199.36	9.54	231.76	11.13	264.11	12.78	307.20	15.09	350.40	17.53	393.60	20.04	
60	199.36	9.78	231.76	11.41	264.11	13.10	307.20	15.49	350.40	18.00	393.60	20.58	

Connected Capacity Ratio	Outdoor air temp.	Indoor air temp.											
		DB /WB		DB /WB		DB /WB		DB /WB		DB /WB		DB /WB	
		67° F	57° F	71° F	60° F	75° F	63° F	80° F	67° F	85° F	71° F	90° F	75° F
		Tc	PI	Tc	PI	Tc	PI	Tc	PI	Tc	PI	Tc	PI
°F DB	MBH	kW	MBH	kW	MBH	kW	MBH	kW	MBH	kW	MBH	kW	
70	65	199.36	10.16	231.76	11.86	264.11	13.67	307.20	16.12	350.40	18.78	393.60	21.60
	70	199.36	10.25	231.76	12.00	264.11	13.82	307.20	16.36	350.40	19.60	393.60	23.18
	75	199.36	10.52	231.76	12.47	264.11	14.65	307.20	17.90	350.40	21.56	393.60	25.52
	80	199.36	11.27	231.76	13.55	264.11	16.01	307.20	19.62	350.40	23.64	393.60	28.04
	85	199.36	12.25	231.76	14.78	264.11	17.49	307.20	21.46	350.40	25.90	393.60	30.75
	90	199.36	13.31	231.76	16.09	264.11	19.06	307.20	23.42	350.40	28.32	393.60	33.58
	95	199.36	14.44	231.76	17.46	264.11	20.73	307.20	25.55	350.40	30.92	387.20	35.54
	100	199.36	15.63	231.76	18.97	264.11	22.57	307.20	27.85	350.40	33.79	376.00	37.31
	105	199.36	17.07	231.76	20.78	264.11	24.76	307.20	30.63	350.40	37.14	369.07	39.45
	110	199.36	18.92	231.76	23.08	264.11	27.55	307.20	34.15	347.20	40.70	358.40	41.84
	115	199.36	20.96	231.76	25.59	264.11	30.60	307.20	38.07	310.08	42.59	311.04	42.59
	118	199.36	22.21	231.76	27.13	257.98	31.69	265.84	34.92	266.67	38.82	267.49	38.82
	122	171.45	20.21	199.31	24.69	221.87	28.84	228.63	31.78	229.34	35.33	230.05	35.33
	125	147.45	18.39	171.41	22.46	190.80	26.24	196.62	28.92	197.23	32.15	197.84	32.15
	70	5	174.40	7.18	202.72	8.25	231.15	9.36	268.80	10.92	306.40	12.55	345.60
14		174.40	7.33	202.72	8.42	231.15	9.55	268.80	11.14	306.40	12.81	345.60	14.57
25		174.40	7.48	202.72	8.59	231.15	9.75	268.80	11.37	306.40	13.07	345.60	14.87
30		174.40	7.61	202.72	8.74	231.15	9.92	268.80	11.61	306.40	13.38	345.60	15.19
35		174.40	7.76	202.72	8.94	231.15	10.14	268.80	11.87	306.40	13.69	345.60	15.57
40		174.40	7.91	202.72	9.13	231.15	10.36	268.80	12.14	306.40	14.00	345.60	15.94
45		174.40	8.07	202.72	9.32	231.15	10.61	268.80	12.42	306.40	14.34	345.60	16.34
50		174.40	8.22	202.72	9.52	231.15	10.85	268.80	12.70	306.40	14.68	345.60	16.73
55		174.40	8.40	202.72	9.71	231.15	11.08	268.80	13.03	306.40	15.06	345.60	17.17
60		174.40	8.59	202.72	9.95	231.15	11.36	268.80	13.36	306.40	15.46	345.60	17.64
65		174.40	8.89	202.72	10.34	231.15	11.82	268.80	13.92	306.40	16.12	345.60	18.39
70		174.40	8.97	202.72	10.44	231.15	11.96	268.80	14.06	306.40	16.36	345.60	19.11
75		174.40	9.20	202.72	10.69	231.15	12.37	268.80	14.96	306.40	17.86	345.60	20.99
80		174.40	9.67	202.72	11.51	231.15	13.48	268.80	16.39	306.40	19.58	345.60	23.05
85		174.40	10.52	202.72	12.54	231.15	14.71	268.80	17.88	306.40	21.40	345.60	25.25
90	174.40	11.39	202.72	13.61	231.15	16.00	268.80	19.50	306.40	23.36	345.60	27.60	
95	174.40	12.32	202.72	14.76	231.15	17.37	268.80	21.22	306.40	25.50	345.60	30.11	
100	174.40	13.32	202.72	16.00	231.15	18.87	268.80	23.08	306.40	27.77	345.60	32.88	
105	174.40	14.52	202.72	17.48	231.15	20.68	268.80	25.33	306.40	30.55	345.60	36.22	
110	174.40	16.09	202.72	19.40	231.15	22.97	268.80	28.19	306.40	34.05	345.60	40.33	
115	174.40	17.75	202.72	21.45	231.15	25.45	268.80	31.32	303.68	39.39	311.04	42.59	
118	174.40	18.82	202.72	22.74	231.15	26.98	241.92	29.88	266.67	36.66	267.49	38.82	
122	149.98	17.12	174.34	20.70	198.79	24.55	208.05	27.19	229.34	33.36	230.05	35.33	
125	128.99	15.58	149.93	18.83	170.96	22.34	178.92	24.74	197.23	30.36	197.84	32.15	
60	5	149.44	6.30	173.68	7.18	197.97	8.08	230.40	9.34	262.72	10.66	295.04	12.05
	14	149.44	6.43	173.68	7.33	197.97	8.25	230.40	9.53	262.72	10.87	295.04	12.29
	25	149.44	6.56	173.68	7.48	197.97	8.42	230.40	9.72	262.72	11.10	295.04	12.55
	30	149.44	6.67	173.68	7.60	197.97	8.57	230.40	9.91	262.72	11.33	295.04	12.81
	35	149.44	6.80	173.68	7.75	197.97	8.73	230.40	10.12	262.72	11.58	295.04	13.12
	40	149.44	6.93	173.68	7.90	197.97	8.89	230.40	10.33	262.72	11.83	295.04	13.42
	45	149.44	7.07	173.68	8.06	197.97	9.09	230.40	10.57	262.72	12.12	295.04	13.74
	50	149.44	7.20	173.68	8.22	197.97	9.28	230.40	10.82	262.72	12.40	295.04	14.06
	55	149.44	7.31	173.68	8.39	197.97	9.50	230.40	11.06	262.72	12.71	295.04	14.44
	60	149.44	7.48	173.68	8.57	197.97	9.72	230.40	11.33	262.72	13.04	295.04	14.81
	65	149.44	7.71	173.68	8.87	197.97	10.09	230.40	11.76	262.72	13.58	295.04	15.44
	70	149.44	7.80	173.68	8.96	197.97	10.18	230.40	11.91	262.72	13.74	295.04	15.60
	75	149.44	7.95	173.68	9.17	197.97	10.45	230.40	12.29	262.72	14.53	295.04	16.96
	80	149.44	8.24	173.68	9.66	197.97	11.20	230.40	13.43	262.72	15.89	295.04	18.58
	85	149.44	8.91	173.68	10.50	197.97	12.18	230.40	14.62	262.72	17.35	295.04	20.30
90	149.44	9.62	173.68	11.37	197.97	13.23	230.40	15.91	262.72	18.91	295.04	22.15	
95	149.44	10.40	173.68	12.30	197.97	14.33	230.40	17.30	262.72	20.58	295.04	24.12	
100	149.44	11.21	173.68	13.29	197.97	15.52	230.40	18.78	262.72	22.38	295.04	26.31	
105	149.44	12.20	173.68	14.50	197.97	16.96	230.40	20.57	262.72	24.57	295.04	28.90	
110	149.44	13.46	173.68	16.03	197.97	18.79	230.40	22.84	262.72	27.33	295.04	32.22	
115	149.44	14.81	173.68	17.72	197.97	20.80	230.40	25.33	262.72	30.36	295.04	35.84	
118	149.44	15.70	173.68	18.79	197.97	22.05	230.40	26.85	241.70	29.61	267.49	34.45	
122	128.52	14.29	149.36	17.10	170.26	20.07	198.14	24.43	207.86	26.94	230.05	31.35	
125	110.53	13.00	128.45	15.56	146.42	18.26	170.40	22.23	178.76	24.52	197.84	28.53	
50	5	124.48	5.42	144.64	6.11	164.80	6.81	192.00	7.76	219.04	8.76	244.48	9.82
	14	124.48	5.54	144.64	6.24	164.80	6.94	192.00	7.92	219.04	8.94	244.48	10.02
	25	124.48	5.65	144.64	6.36	164.80	7.09	192.00	8.08	219.04	9.12	244.48	10.22
	30	124.48	5.73	144.64	6.46	164.80	7.21	192.00	8.22	219.04	9.27	244.48	10.44
	35	124.48	5.84	144.64	6.56	164.80	7.32	192.00	8.37	219.04	9.47	244.48	10.67
	40	124.48	5.95	144.64	6.66	164.80	7.42	192.00	8.52	219.04	9.67	244.48	10.89
	45	124.48	6.07	144.64	6.79	164.80	7.57	192.00	8.73	219.04	9.89	244.48	11.14
	50	124.48	6.18	144.64	6.92	164.80	7.71	192.00	8.93	219.04	10.12	244.48	11.38
55	124.48	6.22	144.64	7.06	164.80	7.92	192.00	9.09	219.04	10.36	244.48	11.70	

Connected Capacity Ratio	Outdoor air temp.	Indoor air temp.											
		DB /WB		DB /WB		DB /WB		DB /WB		DB /WB		DB /WB	
		67° F	57° F	71° F	60° F	75° F	63° F	80° F	67° F	85° F	71° F	90° F	75° F
		Tc	PI	Tc	PI	Tc	PI	Tc	PI	Tc	PI	Tc	PI
°F DB	MBH	kW	MBH	kW	MBH	kW	MBH	kW	MBH	kW	MBH	kW	
60	124.48	6.37	144.64	7.19	164.80	8.09	192.00	9.29	219.04	10.62	244.48	11.99	
65	124.48	6.52	144.64	7.40	164.80	8.35	192.00	9.60	219.04	11.05	244.48	12.49	
70	124.48	6.63	144.64	7.48	164.80	8.39	192.00	9.76	219.04	11.12	244.48	12.10	
75	124.48	6.71	144.64	7.64	164.80	8.53	192.00	9.61	219.04	11.19	244.48	12.93	
80	124.48	6.80	144.64	7.80	164.80	8.91	192.00	10.47	219.04	12.20	244.48	14.11	
85	124.48	7.31	144.64	8.46	164.80	9.65	192.00	11.36	219.04	13.30	244.48	15.34	
90	124.48	7.85	144.64	9.12	164.80	10.46	192.00	12.32	219.04	14.45	244.48	16.71	
95	124.48	8.48	144.64	9.84	164.80	11.29	192.00	13.38	219.04	15.66	244.48	18.13	
100	124.48	9.10	144.64	10.58	164.80	12.17	192.00	14.47	219.04	16.98	244.48	19.73	
105	124.48	9.87	144.64	11.51	164.80	13.25	192.00	15.80	219.04	18.59	244.48	21.57	
110	124.48	10.82	144.64	12.65	164.80	14.62	192.00	17.49	219.04	20.60	244.48	24.12	
115	124.48	11.87	144.64	13.99	164.80	16.16	192.00	19.33	219.04	21.33	244.48	29.10	
118	124.48	12.58	144.64	14.83	164.80	17.13	192.00	20.49	219.04	22.61	244.48	30.84	
122	107.05	11.45	124.39	13.50	141.73	15.58	165.12	18.65	188.37	20.58	210.25	28.07	
125	92.07	10.42	106.98	12.28	121.89	14.18	142.00	16.97	162.00	18.73	180.82	25.54	

Table 63 - Table 54 - 38VMA408HDS5-1, 38VMA408HDS6-1

Connected Capacity Ratio	Outdoor air temp.	Indoor air temp.											
		DB /WB		DB /WB		DB /WB		DB /WB		DB /WB		DB /WB	
		67° F	57° F	71° F	60° F	75° F	63° F	80° F	67° F	85° F	71° F	90° F	75° F
		Tc	PI	Tc	PI	Tc	PI	Tc	PI	Tc	PI	Tc	PI
°F DB	MBH	kW	MBH	kW	MBH	kW	MBH	kW	MBH	kW	MBH	kW	
5	343.40	14.23	399.50	16.86	456.73	19.58	530.40	23.31	574.11	24.67	587.71	23.67	
14	343.40	14.52	399.50	17.20	456.73	19.98	530.40	23.79	574.11	25.17	587.71	24.16	
25	343.40	14.81	399.50	17.55	456.73	20.39	530.40	24.27	574.11	25.69	587.71	24.65	
30	343.40	15.16	399.50	17.96	456.73	20.86	530.40	24.85	564.40	25.51	578.00	24.45	
35	343.40	15.52	399.50	18.40	456.73	21.37	530.40	25.45	555.90	25.33	569.50	24.25	
40	343.40	15.88	399.50	18.84	456.73	21.89	530.40	26.06	547.40	25.15	561.00	24.05	
45	343.40	16.26	399.50	19.33	456.73	22.46	521.90	25.98	537.20	24.95	550.80	23.82	
50	343.40	16.65	399.50	19.81	456.73	23.04	513.40	25.89	527.00	24.75	540.60	23.60	
55	343.40	17.10	399.50	20.32	456.73	23.62	504.90	25.70	518.50	24.71	532.10	24.22	
60	343.40	17.55	399.50	20.88	456.73	24.27	496.40	25.96	510.00	25.81	523.60	26.10	
65	343.40	18.31	399.50	21.91	455.03	26.04	480.25	27.90	496.40	28.81	510.00	29.12	
70	343.40	18.74	399.50	23.26	449.93	27.58	476.00	29.23	489.60	29.55	503.20	29.88	
75	343.40	20.55	399.50	25.58	445.40	29.65	469.20	31.08	482.80	31.44	496.40	31.77	
80	343.40	22.54	399.50	28.11	437.47	31.76	457.30	32.94	472.18	33.33	487.05	33.69	
85	343.40	24.69	399.50	30.83	431.80	33.97	448.80	34.82	462.40	35.24	476.00	35.65	
90	343.40	26.96	399.50	33.62	426.13	36.20	440.30	36.70	453.90	37.15	467.50	37.55	
95	343.40	29.39	394.40	35.79	418.20	38.13	431.80	38.60	443.70	39.04	445.40	39.16	
100	343.40	32.09	385.48	37.88	406.30	40.06	421.60	40.45	424.15	40.51	424.15	40.51	
105	343.40	35.30	379.95	40.39	397.42	42.35	402.33	42.49	402.33	42.49	402.33	42.49	
110	343.40	39.36	368.90	43.32	377.40	44.63	377.40	44.63	377.40	44.63	380.80	44.63	
115	326.40	45.03	326.91	45.03	327.53	45.30	328.44	45.44	329.46	45.44	330.48	45.44	
118	280.70	41.05	281.14	41.05	281.68	41.30	282.46	41.42	283.34	41.42	284.21	41.42	
122	241.41	37.36	241.78	37.36	242.24	37.58	242.91	37.69	243.67	37.69	244.42	37.69	
125	207.61	34.00	207.93	34.00	208.33	34.20	208.91	34.30	209.56	34.30	210.20	34.30	
5	317.56	13.05	370.09	15.42	421.60	17.85	489.60	21.24	553.96	24.45	577.51	24.38	
14	317.56	13.31	370.09	15.73	421.60	18.22	489.60	21.68	553.96	24.95	577.51	24.88	
25	317.56	13.59	370.09	16.05	421.60	18.59	489.60	22.12	553.96	25.46	577.51	25.38	
30	317.56	13.87	370.09	16.41	421.60	19.02	489.60	22.64	549.10	25.67	567.80	25.21	
35	317.56	14.19	370.09	16.80	421.60	19.49	489.60	23.20	543.15	25.75	559.30	25.01	
40	317.56	14.52	370.09	17.20	421.60	19.97	489.60	23.76	537.20	25.83	550.80	24.81	
45	317.56	14.88	370.09	17.64	421.60	20.47	489.60	24.39	528.70	25.65	540.60	24.61	
50	317.56	15.24	370.09	18.07	421.60	20.98	489.60	25.01	520.20	25.47	530.40	24.41	
55	317.56	15.64	370.09	18.55	421.60	21.55	489.60	25.66	509.58	25.28	521.90	24.48	
60	317.56	16.04	370.09	19.04	421.60	22.12	486.20	26.10	499.80	25.79	513.40	25.91	
65	317.56	16.72	370.09	19.88	421.60	23.36	472.60	27.28	486.20	28.42	499.80	28.89	
70	317.56	16.93	370.09	20.76	421.60	25.01	469.20	29.07	482.80	29.35	496.40	29.63	
75	317.56	18.42	370.09	22.79	421.60	27.54	459.00	30.92	472.60	31.20	486.20	31.52	
80	317.56	20.15	370.09	25.01	421.03	30.21	450.50	32.74	464.10	33.10	477.70	33.43	
85	317.56	22.05	370.09	27.39	417.07	32.60	442.00	34.60	455.60	34.97	467.50	35.34	
90	317.56	24.08	370.09	29.96	411.40	34.76	433.50	36.46	444.55	36.87	457.30	37.28	
95	317.56	26.22	370.09	32.70	405.73	36.98	421.60	38.54	435.20	38.86	445.40	39.16	
100	317.56	28.60	370.09	35.73	397.80	39.30	413.10	40.24	422.88	40.51	424.15	40.51	
105	317.56	31.42	368.39	39.00	392.13	41.90	401.20	42.49	402.33	42.49	402.33	42.49	
110	317.56	35.02	362.44	42.23	377.40	44.63	377.40	44.63	377.40	44.63	380.80	44.63	
115	317.56	38.96	324.70	43.52	327.53	45.30	328.44	45.44	329.46	45.44	330.48	45.44	
118	280.70	36.51	281.14	39.94	281.68	41.30	282.46	41.42	283.34	41.42	284.21	41.42	
122	241.41	33.22	241.78	36.35	242.24	37.58	242.91	37.69	243.67	37.69	244.42	37.69	
125	207.61	30.23	207.93	33.07	208.33	34.20	208.91	34.30	209.56	34.30	210.20	34.30	
110	5	291.38	11.88	338.05	13.99	385.33	16.17	448.80	19.21	511.70	22.36	567.31	25.07

Connected Capacity Ratio	Outdoor air temp.	Indoor air temp.												
		DB /WB		DB /WB		DB /WB		DB /WB		DB /WB		DB /WB		
		67° F	57° F	71° F	60° F	75° F	63° F	80° F	67° F	85° F	71° F	90° F	75° F	
		Tc	PI	Tc	PI	Tc	PI	Tc	PI	Tc	PI	Tc	PI	
°F DB	MBH	kW	MBH	kW	MBH	kW	MBH	kW	MBH	kW	MBH	kW		
100	14	291.38	12.12	338.05	14.27	385.33	16.50	448.80	19.61	511.70	22.82	567.31	25.59	
	25	291.38	12.37	338.05	14.56	385.33	16.84	448.80	20.01	511.70	23.28	567.31	26.11	
	30	291.38	12.63	338.05	14.89	385.33	17.22	448.80	20.47	511.70	23.84	567.60	25.94	
	35	291.38	12.93	338.05	15.25	385.33	17.65	448.80	20.97	511.70	24.43	549.10	25.77	
	40	291.38	13.23	338.05	15.61	385.33	18.07	448.80	21.47	511.70	25.01	540.60	25.61	
	45	291.38	13.53	338.05	15.99	385.33	18.52	448.80	22.03	508.30	25.33	532.10	25.41	
	50	291.38	13.83	338.05	16.37	385.33	18.98	448.80	22.60	504.90	25.65	523.60	25.21	
	55	291.38	14.18	338.05	16.79	385.33	19.47	448.80	23.20	500.23	25.86	511.70	25.03	
	60	291.38	14.56	338.05	17.24	385.33	20.00	448.80	23.82	492.15	26.07	503.20	25.71	
	65	291.38	15.17	338.05	18.00	385.33	20.88	448.80	25.44	476.43	27.58	489.60	28.69	
	70	291.38	15.36	338.05	18.47	385.33	22.05	448.80	27.46	472.60	29.17	486.20	29.43	
	75	291.38	16.37	338.05	20.17	385.33	24.25	448.80	30.28	464.10	31.00	476.00	31.28	
	80	291.38	17.93	338.05	22.10	385.33	26.60	443.70	32.54	455.18	32.86	467.50	33.18	
	85	291.38	19.58	338.05	24.18	385.33	29.16	435.20	34.40	445.40	34.72	459.00	35.06	
	90	291.38	21.35	338.05	26.41	385.33	31.89	424.15	36.23	436.90	36.60	447.95	36.97	
	95	291.38	23.24	338.05	28.82	385.33	34.86	414.80	38.42	428.40	38.66	438.60	38.88	
	100	291.38	25.32	338.05	31.44	381.93	37.57	406.30	39.96	417.78	40.36	424.15	40.51	
	105	291.38	27.77	338.05	34.58	377.02	40.25	396.67	42.09	402.33	42.49	402.33	42.49	
	110	291.38	30.92	338.05	38.49	369.47	43.43	377.40	44.63	377.40	44.63	380.80	44.63	
	115	291.38	34.38	318.16	42.37	327.53	45.30	328.44	45.44	329.46	45.44	330.48	45.44	
	118	280.70	35.11	281.14	39.69	281.68	41.30	282.46	41.42	283.34	41.42	284.21	41.42	
	122	241.41	31.95	241.78	36.12	242.24	37.58	242.91	37.69	243.67	37.69	244.42	37.69	
	125	207.61	29.07	207.93	32.87	208.33	34.20	208.91	34.30	209.56	34.30	210.20	34.30	
	90	5	264.86	10.79	307.70	12.63	349.86	14.54	408.00	17.22	465.80	20.04	523.60	22.92
		14	264.86	11.01	307.70	12.88	349.86	14.84	408.00	17.57	465.80	20.45	523.60	23.38
25		264.86	11.23	307.70	13.15	349.86	15.14	408.00	17.93	465.80	20.86	523.60	23.86	
30		264.86	11.46	307.70	13.42	349.86	15.47	408.00	18.34	465.80	21.35	523.60	24.41	
35		264.86	11.70	307.70	13.74	349.86	15.85	408.00	18.80	465.80	21.87	523.60	25.01	
40		264.86	11.94	307.70	14.05	349.86	16.23	408.00	19.26	465.80	22.40	523.60	25.61	
45		264.86	12.22	307.70	14.39	349.86	16.63	408.00	19.74	465.80	22.98	518.50	25.81	
50		264.86	12.51	307.70	14.74	349.86	17.04	408.00	20.23	465.80	23.56	513.40	26.02	
55		264.86	12.81	307.70	15.09	349.86	17.47	408.00	20.78	465.80	24.19	504.05	25.82	
60		264.86	13.13	307.70	15.50	349.86	17.95	408.00	21.33	465.80	24.84	493.00	26.00	
65		264.86	13.69	307.70	16.14	349.86	18.71	408.00	22.28	464.53	26.62	479.40	27.76	
70		264.86	13.83	307.70	16.34	349.86	19.29	408.00	23.84	459.00	28.35	476.00	29.19	
75		264.86	14.48	307.70	17.67	349.86	21.15	408.00	26.26	455.60	30.66	465.80	31.04	
80		264.86	15.80	307.70	19.37	349.86	23.19	408.00	28.85	446.68	32.63	457.30	32.90	
85		264.86	17.25	307.70	21.17	349.86	25.40	408.00	31.62	436.90	34.48	448.80	34.78	
90		264.86	18.79	307.70	23.11	349.86	27.76	408.00	34.61	428.40	36.34	437.75	36.66	
95		264.86	20.43	307.70	25.16	349.86	30.28	408.00	38.30	418.20	38.42	428.40	38.56	
100		264.86	22.22	307.70	27.41	349.86	33.04	399.50	39.65	409.70	40.08	419.05	40.42	
105		264.86	24.38	307.70	30.13	349.86	36.36	389.87	41.95	398.93	42.29	402.33	42.49	
110		264.86	27.10	307.70	33.55	349.86	40.58	377.40	44.63	377.40	44.63	380.80	44.63	
115		264.86	30.08	307.70	37.34	325.83	43.55	328.44	45.44	329.46	45.44	330.48	45.44	
118		264.86	31.88	270.78	34.83	281.68	39.90	282.46	41.42	283.34	41.42	284.21	41.42	
122		227.78	29.01	232.87	31.70	242.24	36.31	242.91	37.69	243.67	37.69	244.42	37.69	
125		195.89	26.40	200.27	28.85	208.33	33.04	208.91	34.30	209.56	34.30	210.20	34.30	
90		5	238.34	9.69	276.85	11.30	315.52	12.96	367.20	15.28	418.20	17.74	469.20	20.28
	14	238.34	9.89	276.85	11.53	315.52	13.23	367.20	15.59	418.20	18.10	469.20	20.69	
	25	238.34	10.09	276.85	11.77	315.52	13.50	367.20	15.91	418.20	18.47	469.20	21.12	
	30	238.34	10.29	276.85	12.01	315.52	13.79	367.20	16.28	418.20	18.92	469.20	21.63	
	35	238.34	10.51	276.85	12.28	315.52	14.11	367.20	16.69	418.20	19.38	469.20	22.16	
	40	238.34	10.74	276.85	12.55	315.52	14.44	367.20	17.09	418.20	19.84	469.20	22.68	
	45	238.34	10.98	276.85	12.85	315.52	14.78	367.20	17.51	418.20	20.35	469.20	23.26	
	50	238.34	11.22	276.85	13.15	315.52	15.13	367.20	17.93	418.20	20.85	469.20	23.84	
	55	238.34	11.47	276.85	13.45	315.52	15.51	367.20	18.40	418.20	21.41	469.20	24.50	
	60	238.34	11.74	276.85	13.79	315.52	15.92	367.20	18.90	418.20	21.98	469.20	25.15	
	65	238.34	12.22	276.85	14.37	315.52	16.58	367.20	19.70	418.20	23.11	469.20	27.16	
	70	238.34	12.34	276.85	14.55	315.52	16.81	367.20	20.51	418.20	24.81	465.80	28.99	
	75	238.34	12.71	276.85	15.39	315.52	18.27	367.20	22.52	418.20	27.30	455.60	30.80	
	80	238.34	13.84	276.85	16.82	315.52	20.02	367.20	24.74	418.20	30.00	447.10	32.66	
	85	238.34	15.10	276.85	18.37	315.52	21.89	367.20	27.08	417.35	32.74	438.60	34.50	
	90	238.34	16.42	276.85	20.00	315.52	23.88	367.20	29.60	412.68	35.24	430.10	36.37	
	95	238.34	17.81	276.85	21.76	315.52	26.03	367.20	32.33	408.00	37.78	418.20	38.24	
	100	238.34	19.34	276.85	23.70	315.52	28.38	367.20	35.29	401.20	39.74	409.70	40.15	
	105	238.34	21.19	276.85	26.00	315.52	31.19	367.20	38.86	391.57	42.02	400.07	42.49	
	110	238.34	23.52	276.85	28.92	315.52	34.74	367.20	43.43	377.40	44.63	380.80	44.63	
	115	238.34	26.06	276.85	32.12	315.07	41.67	328.44	45.44	329.46	45.44	330.48	45.44	
	118	238.34	27.62	270.78	33.30	274.11	38.43	282.46	41.42	283.34	41.42	284.21	41.42	
	122	204.97	25.13	232.87	30.30	235.73	34.97	242.91	37.69	243.67	37.69	244.42	37.69	
	125	176.28	22.87	200.27	27.57	202.73	31.82	208.91	34.30	209.56	34.30	210.20	34.30	

Connected Capacity Ratio	Outdoor air temp.	Indoor air temp.											
		DB /WB		DB /WB		DB /WB		DB /WB		DB /WB		DB /WB	
		67° F	57° F	71° F	60° F	75° F	63° F	80° F	67° F	85° F	71° F	90° F	75° F
		Tc	PI	Tc	PI	Tc	PI	Tc	PI	Tc	PI	Tc	PI
°F DB	MBH	kW	MBH	kW	MBH	kW	MBH	kW	MBH	kW	MBH	kW	
80	5	211.82	8.67	246.25	10.02	280.61	11.44	326.40	13.43	372.30	15.53	418.20	17.70
	14	211.82	8.84	246.25	10.23	280.61	11.67	326.40	13.71	372.30	15.85	418.20	18.06
	25	211.82	9.02	246.25	10.44	280.61	11.91	326.40	13.99	372.30	16.17	418.20	18.43
	30	211.82	9.17	246.25	10.65	280.61	12.16	326.40	14.27	372.30	16.55	418.20	18.86
	35	211.82	9.37	246.25	10.88	280.61	12.44	326.40	14.62	372.30	16.94	418.20	19.32
	40	211.82	9.57	246.25	11.11	280.61	12.72	326.40	14.96	372.30	17.33	418.20	19.78
	45	211.82	9.77	246.25	11.35	280.61	13.01	326.40	15.34	372.30	17.77	418.20	20.31
	50	211.82	9.97	246.25	11.60	280.61	13.30	326.40	15.72	372.30	18.21	418.20	20.83
	55	211.82	10.18	246.25	11.88	280.61	13.63	326.40	16.09	372.30	18.70	418.20	21.38
	60	211.82	10.43	246.25	12.17	280.61	13.98	326.40	16.53	372.30	19.20	418.20	21.95
	65	211.82	10.84	246.25	12.65	280.61	14.58	326.40	17.20	372.30	20.03	418.20	23.04
	70	211.82	10.94	246.25	12.81	280.61	14.74	326.40	17.45	372.30	20.91	418.20	24.73
	75	211.82	11.22	246.25	13.30	280.61	15.63	326.40	19.10	372.30	23.00	418.20	27.22
	80	211.82	12.02	246.25	14.46	280.61	17.08	326.40	20.93	372.30	25.22	418.20	29.92
	85	211.82	13.07	246.25	15.77	280.61	18.66	326.40	22.90	372.30	27.63	418.20	32.81
	90	211.82	14.20	246.25	17.17	280.61	20.34	326.40	24.99	372.30	30.21	418.20	35.83
	95	211.82	15.40	246.25	18.63	280.61	22.12	326.40	27.26	372.30	32.99	411.40	37.92
	100	211.82	16.68	246.25	20.24	280.61	24.08	326.40	29.71	372.30	36.05	399.50	39.81
	105	211.82	18.21	246.25	22.17	280.61	26.41	326.40	32.68	372.30	39.63	392.13	42.09
	110	211.82	20.19	246.25	24.62	280.61	29.39	326.40	36.43	368.90	43.43	380.80	44.63
115	211.82	22.36	246.25	27.30	280.61	32.65	326.40	40.61	329.46	45.44	330.48	45.44	
118	211.82	23.70	246.25	28.94	274.11	33.81	282.46	37.25	283.34	41.42	284.21	41.42	
122	182.17	21.57	211.77	26.34	235.73	30.76	242.91	33.90	243.67	37.69	244.42	37.69	
125	156.66	19.62	182.12	23.97	202.73	28.00	208.91	30.85	209.56	34.30	210.20	34.30	
70	5	185.30	7.66	215.39	8.80	245.59	9.99	285.60	11.65	325.55	13.39	367.20	15.23
	14	185.30	7.82	215.39	8.98	245.59	10.19	285.60	11.88	325.55	13.67	367.20	15.54
	25	185.30	7.98	215.39	9.16	245.59	10.40	285.60	12.13	325.55	13.94	367.20	15.86
	30	185.30	8.12	215.39	9.33	245.59	10.59	285.60	12.38	325.55	14.27	367.20	16.20
	35	185.30	8.28	215.39	9.53	245.59	10.82	285.60	12.67	325.55	14.61	367.20	16.61
	40	185.30	8.44	215.39	9.74	245.59	11.06	285.60	12.95	325.55	14.94	367.20	17.01
	45	185.30	8.60	215.39	9.95	245.59	11.32	285.60	13.25	325.55	15.30	367.20	17.43
	50	185.30	8.77	215.39	10.15	245.59	11.58	285.60	13.55	325.55	15.66	367.20	17.85
	55	185.30	8.97	215.39	10.36	245.59	11.82	285.60	13.90	325.55	16.07	367.20	18.32
	60	185.30	9.17	215.39	10.62	245.59	12.12	285.60	14.25	325.55	16.50	367.20	18.82
	65	185.30	9.49	215.39	11.03	245.59	12.61	285.60	14.85	325.55	17.19	367.20	19.62
	70	185.30	9.57	215.39	11.14	245.59	12.76	285.60	15.00	325.55	17.45	367.20	20.39
	75	185.30	9.81	215.39	11.41	245.59	13.20	285.60	15.96	325.55	19.06	367.20	22.40
	80	185.30	10.31	215.39	12.28	245.59	14.38	285.60	17.48	325.55	20.88	367.20	24.59
	85	185.30	11.22	215.39	13.37	245.59	15.69	285.60	19.08	325.55	22.83	367.20	26.94
	90	185.30	12.15	215.39	14.52	245.59	17.07	285.60	20.80	325.55	24.92	367.20	29.44
	95	185.30	13.15	215.39	15.74	245.59	18.54	285.60	22.64	325.55	27.20	367.20	32.13
	100	185.30	14.21	215.39	17.07	245.59	20.13	285.60	24.63	325.55	29.63	367.20	35.08
	105	185.30	15.49	215.39	18.65	245.59	22.06	285.60	27.02	325.55	32.59	367.20	38.64
	110	185.30	17.17	215.39	20.70	245.59	24.50	285.60	30.08	325.55	36.33	367.20	43.02
115	185.30	18.94	215.39	22.89	245.59	27.15	285.60	33.41	322.66	42.02	330.48	45.44	
118	185.30	20.07	215.39	24.26	245.59	28.78	257.04	31.88	283.34	39.11	284.21	41.42	
122	159.36	18.27	185.24	22.08	211.21	26.19	221.05	29.01	243.67	35.59	244.42	37.69	
125	137.05	16.62	159.30	20.09	181.64	23.84	190.11	26.40	209.56	32.39	210.20	34.30	
60	5	158.78	6.72	184.54	7.66	210.35	8.62	244.80	9.96	279.14	11.37	313.48	12.85
	14	158.78	6.86	184.54	7.82	210.35	8.80	244.80	10.17	279.14	11.60	313.48	13.12
	25	158.78	7.00	184.54	7.98	210.35	8.98	244.80	10.37	279.14	11.84	313.48	13.38
	30	158.78	7.12	184.54	8.11	210.35	9.14	244.80	10.58	279.14	12.08	313.48	13.67
	35	158.78	7.26	184.54	8.27	210.35	9.32	244.80	10.80	279.14	12.35	313.48	13.99
	40	158.78	7.40	184.54	8.42	210.35	9.49	244.80	11.02	279.14	12.63	313.48	14.31
	45	158.78	7.54	184.54	8.59	210.35	9.70	244.80	11.28	279.14	12.93	313.48	14.66
	50	158.78	7.68	184.54	8.77	210.35	9.90	244.80	11.54	279.14	13.23	313.48	15.00
	55	158.78	7.80	184.54	8.95	210.35	10.14	244.80	11.80	279.14	13.56	313.48	15.40
	60	158.78	7.98	184.54	9.14	210.35	10.37	244.80	12.08	279.14	13.91	313.48	15.80
	65	158.78	8.22	184.54	9.47	210.35	10.76	244.80	12.55	279.14	14.49	313.48	16.48
	70	158.78	8.32	184.54	9.56	210.35	10.86	244.80	12.71	279.14	14.66	313.48	16.65
	75	158.78	8.48	184.54	9.78	210.35	11.15	244.80	13.11	279.14	15.50	313.48	18.09
	80	158.78	8.79	184.54	10.30	210.35	11.95	244.80	14.32	279.14	16.95	313.48	19.82
	85	158.78	9.51	184.54	11.20	210.35	12.99	244.80	15.60	279.14	18.51	313.48	21.65
	90	158.78	10.26	184.54	12.13	210.35	14.11	244.80	16.97	279.14	20.17	313.48	23.63
	95	158.78	11.10	184.54	13.12	210.35	15.29	244.80	18.46	279.14	21.95	313.48	25.73
	100	158.78	11.96	184.54	14.18	210.35	16.56	244.80	20.03	279.14	23.87	313.48	28.07
	105	158.78	13.01	184.54	15.47	210.35	18.10	244.80	21.94	279.14	26.21	313.48	30.83
	110	158.78	14.35	184.54	17.10	210.35	20.05	244.80	24.37	279.14	29.15	313.48	34.38
115	158.78	15.80	184.54	18.91	210.35	22.20	244.80	27.02	279.14	32.39	313.48	38.24	
118	158.78	16.75	184.54	20.04	210.35	23.53	244.80	28.64	256.81	31.59	284.21	36.75	
122	136.55	15.24	158.70	18.24	180.90	21.41	210.53	26.06	220.86	28.74	244.42	33.44	

Connected Capacity Ratio	Outdoor air temp.	Indoor air temp.											
		DB /WB		DB /WB		DB /WB		DB /WB		DB /WB		DB /WB	
		67° F	57° F	71° F	60° F	75° F	63° F	80° F	67° F	85° F	71° F	90° F	75° F
		Tc	PI	Tc	PI	Tc	PI	Tc	PI	Tc	PI	Tc	PI
°F DB	MBH	kW	MBH	kW	MBH	kW	MBH	kW	MBH	kW	MBH	kW	
50	125	117.43	13.87	136.48	16.60	155.57	19.48	181.05	23.72	189.94	26.16	210.20	30.43
	5	132.26	5.79	153.68	6.52	175.10	7.26	204.00	8.28	232.73	9.35	259.76	10.48
	14	132.26	5.91	153.68	6.65	175.10	7.41	204.00	8.45	232.73	9.54	259.76	10.69
	25	132.26	6.03	153.68	6.79	175.10	7.56	204.00	8.62	232.73	9.73	259.76	10.91
	30	132.26	6.11	153.68	6.90	175.10	7.69	204.00	8.77	232.73	9.89	259.76	11.14
	35	132.26	6.23	153.68	7.00	175.10	7.81	204.00	8.93	232.73	10.10	259.76	11.38
	40	132.26	6.35	153.68	7.11	175.10	7.92	204.00	9.09	232.73	10.31	259.76	11.62
	45	132.26	6.47	153.68	7.24	175.10	8.08	204.00	9.31	232.73	10.55	259.76	11.88
	50	132.26	6.59	153.68	7.38	175.10	8.23	204.00	9.53	232.73	10.80	259.76	12.14
	55	132.26	6.63	153.68	7.53	175.10	8.45	204.00	9.70	232.73	11.05	259.76	12.49
	60	132.26	6.80	153.68	7.67	175.10	8.63	204.00	9.91	232.73	11.33	259.76	12.79
	65	132.26	6.96	153.68	7.90	175.10	8.91	204.00	10.24	232.73	11.79	259.76	13.33
	70	132.26	7.08	153.68	7.98	175.10	8.95	204.00	10.41	232.73	11.86	259.76	12.91
	75	132.26	7.16	153.68	8.15	175.10	9.10	204.00	10.25	232.73	11.94	259.76	13.79
	80	132.26	7.26	153.68	8.32	175.10	9.51	204.00	11.17	232.73	13.01	259.76	15.06
	85	132.26	7.80	153.68	9.02	175.10	10.30	204.00	12.12	232.73	14.18	259.76	16.37
	90	132.26	8.37	153.68	9.73	175.10	11.15	204.00	13.14	232.73	15.42	259.76	17.82
	95	132.26	9.05	153.68	10.49	175.10	12.05	204.00	14.27	232.73	16.71	259.76	19.34
	100	132.26	9.71	153.68	11.29	175.10	12.98	204.00	15.44	232.73	18.12	259.76	21.05
	105	132.26	10.53	153.68	12.28	175.10	14.14	204.00	16.86	232.73	19.83	259.76	23.01
110	132.26	11.54	153.68	13.50	175.10	15.60	204.00	18.66	232.73	21.97	259.76	25.73	
115	132.26	12.67	153.68	14.93	175.10	17.24	204.00	20.63	232.73	22.76	259.76	31.04	
118	132.26	13.43	153.68	15.82	175.10	18.27	204.00	21.87	232.73	24.12	259.76	32.90	
122	113.74	12.22	132.16	14.40	150.59	16.63	175.44	19.90	200.15	21.95	223.39	29.94	
125	97.82	11.12	113.66	13.10	129.50	15.13	150.88	18.11	172.13	19.98	192.12	27.25	

Table 64 - Table 54 - 38VMA432HDS5-1, 38VMA432HDS6-1

Connected Capacity Ratio	Outdoor air temp.	Indoor air temp.											
		DB /WB		DB /WB		DB /WB		DB /WB		DB /WB		DB /WB	
		67° F	57° F	71° F	60° F	75° F	63° F	80° F	67° F	85° F	71° F	90° F	75° F
		Tc	PI	Tc	PI	Tc	PI	Tc	PI	Tc	PI	Tc	PI
°F DB	MBH	kW	MBH	kW	MBH	kW	MBH	kW	MBH	kW	MBH	kW	
135	5	363.60	14.97	423.00	17.74	483.60	20.60	561.60	24.53	607.89	25.96	622.29	24.91
	14	363.60	15.28	423.00	18.10	483.60	21.02	561.60	25.03	607.89	26.49	622.29	25.42
	25	363.60	15.59	423.00	18.47	483.60	21.45	561.60	25.54	607.89	27.03	622.29	25.94
	30	363.60	15.95	423.00	18.90	483.60	21.94	561.60	26.15	597.60	26.85	612.00	25.72
	35	363.60	16.33	423.00	19.36	483.60	22.49	561.60	26.78	588.60	26.65	603.00	25.51
	40	363.60	16.71	423.00	19.82	483.60	23.03	561.60	27.42	579.60	26.46	594.00	25.30
	45	363.60	17.11	423.00	20.33	483.60	23.64	552.60	27.33	568.80	26.25	583.20	25.07
	50	363.60	17.52	423.00	20.85	483.60	24.24	543.60	27.25	558.00	26.04	572.40	24.84
	55	363.60	17.99	423.00	21.38	483.60	24.86	534.60	27.05	549.00	26.00	563.40	25.48
	60	363.60	18.47	423.00	21.97	483.60	25.54	525.60	27.31	540.00	27.16	554.40	27.46
	65	363.60	19.26	423.00	23.05	481.80	27.40	508.50	29.35	525.60	30.31	540.00	30.64
	70	363.60	19.72	423.00	24.48	476.40	29.02	504.00	30.76	518.40	31.10	532.80	31.44
	75	363.60	21.62	423.00	26.92	471.60	31.20	496.80	32.70	511.20	33.09	525.60	33.42
	80	363.60	23.71	423.00	29.58	463.20	33.42	484.20	34.66	499.95	35.07	515.70	35.44
	85	363.60	25.98	423.00	32.44	457.20	35.74	475.20	36.64	489.60	37.08	504.00	37.51
	90	363.60	28.37	423.00	35.37	451.20	38.09	466.20	38.62	480.60	39.09	495.00	39.51
	95	363.60	30.93	417.60	37.66	442.80	40.12	457.20	40.62	469.80	41.08	471.60	41.21
	100	363.60	33.76	408.15	39.86	430.20	42.15	446.40	42.56	449.10	42.63	449.10	42.63
	105	363.60	37.15	402.30	42.50	420.80	44.57	426.00	44.71	426.00	44.71	426.00	44.71
	110	363.60	41.42	390.60	45.58	399.60	46.96	399.60	46.96	399.60	46.96	403.20	46.96
115	345.60	47.39	346.14	47.39	346.80	47.67	347.76	47.81	348.84	47.81	349.92	47.81	
118	297.22	43.20	297.68	43.20	298.25	43.45	299.07	43.58	300.00	43.58	300.93	43.58	
122	255.61	39.31	256.01	39.31	256.49	39.54	257.20	39.66	258.00	39.66	258.80	39.66	
125	219.82	35.77	220.16	35.77	220.58	35.98	221.19	36.09	221.88	36.09	222.57	36.09	
120	5	336.24	13.73	391.86	16.22	446.40	18.78	518.40	22.35	586.54	25.73	611.49	25.65
	14	336.24	14.01	391.86	16.55	446.40	19.17	518.40	22.81	586.54	26.25	611.49	26.17
	25	336.24	14.29	391.86	16.89	446.40	19.56	518.40	23.28	586.54	26.79	611.49	26.71
	30	336.24	14.60	391.86	17.26	446.40	20.01	518.40	23.82	581.40	27.01	601.20	26.53
	35	336.24	14.94	391.86	17.68	446.40	20.51	518.40	24.41	575.10	27.10	592.20	26.32
	40	336.24	15.27	391.86	18.10	446.40	21.01	518.40	25.00	568.80	27.18	583.20	26.10
	45	336.24	15.65	391.86	18.56	446.40	21.54	518.40	25.66	559.80	26.99	572.40	25.89
	50	336.24	16.04	391.86	19.02	446.40	22.07	518.40	26.32	550.80	26.80	561.60	25.68
	55	336.24	16.46	391.86	19.52	446.40	22.67	518.40	27.00	539.55	26.60	552.60	25.76
	60	336.24	16.88	391.86	20.04	446.40	23.28	514.80	27.46	529.20	27.14	543.60	27.27
	65	336.24	17.59	391.86	20.91	446.40	24.58	500.40	28.71	514.80	29.90	529.20	30.40
	70	336.24	17.81	391.86	21.84	446.40	26.32	496.80	30.59	511.20	30.89	525.60	31.18
	75	336.24	19.38	391.86	23.98	446.40	28.98	486.00	32.54	500.40	32.83	514.80	33.17
	80	336.24	21.21	391.86	26.32	445.80	31.79	477.00	34.45	491.40	34.83	505.80	35.18
	85	336.24	23.21	391.86	28.82	441.60	34.31	468.00	36.41	482.40	36.80	495.00	37.19

Connected Capacity Ratio	Outdoor air temp.	Indoor air temp.											
		DB /WB		DB /WB		DB /WB		DB /WB		DB /WB		DB /WB	
		67° F	57° F	71° F	60° F	75° F	63° F	80° F	67° F	85° F	71° F	90° F	75° F
		Tc	PI	Tc	PI	Tc	PI	Tc	PI	Tc	PI	Tc	PI
°F DB	MBH	kW	MBH	kW	MBH	kW	MBH	kW	MBH	kW	MBH	kW	
110	90	336.24	25.33	391.86	31.53	435.60	36.58	459.00	38.36	470.70	38.80	484.20	39.23
	95	336.24	27.59	391.86	34.41	429.60	38.91	446.40	40.55	460.80	40.89	471.60	41.21
	100	336.24	30.09	391.86	37.60	421.20	41.35	437.40	42.34	447.75	42.63	449.10	42.63
	105	336.24	33.06	390.06	41.03	415.20	44.09	424.80	44.71	426.00	44.71	426.00	44.71
	110	336.24	36.85	383.76	44.44	399.60	46.96	399.60	46.96	399.60	46.96	403.20	46.96
	115	336.24	41.00	343.80	45.79	346.80	47.67	347.76	47.81	348.84	47.81	349.92	47.81
	118	297.22	38.41	297.68	42.03	298.25	43.45	299.07	43.58	300.00	43.58	300.93	43.58
	122	255.61	34.96	256.01	38.24	256.49	39.54	257.20	39.66	258.00	39.66	258.80	39.66
	125	219.82	31.81	220.16	34.80	220.58	35.98	221.19	36.09	221.88	36.09	222.57	36.09
	5	308.52	12.50	357.93	14.72	408.00	17.02	475.20	20.22	541.80	23.53	600.69	26.38
	14	308.52	12.75	357.93	15.02	408.00	17.37	475.20	20.63	541.80	24.01	600.69	26.92
	25	308.52	13.01	357.93	15.32	408.00	17.72	475.20	21.05	541.80	24.50	600.69	27.47
	30	308.52	13.29	357.93	15.66	408.00	18.12	475.20	21.54	541.80	25.09	590.40	27.29
	35	308.52	13.60	357.93	16.05	408.00	18.57	475.20	22.06	541.80	25.70	581.40	27.12
	40	308.52	13.92	357.93	16.43	408.00	19.01	475.20	22.59	541.80	26.32	572.40	26.95
45	308.52	14.24	357.93	16.82	408.00	19.49	475.20	23.19	538.20	26.65	563.40	26.74	
50	308.52	14.55	357.93	17.22	408.00	19.97	475.20	23.78	534.60	26.99	554.40	26.53	
55	308.52	14.92	357.93	17.67	408.00	20.49	475.20	24.41	529.65	27.22	541.80	26.34	
60	308.52	15.32	357.93	18.14	408.00	21.04	475.20	25.07	521.10	27.43	532.80	27.06	
65	308.52	15.96	357.93	18.94	408.00	21.97	475.20	26.77	504.45	29.02	518.40	30.19	
70	308.52	16.16	357.93	19.43	408.00	23.20	475.20	28.90	500.40	30.70	514.80	30.97	
75	308.52	17.22	357.93	21.22	408.00	25.51	475.20	31.86	491.40	32.62	504.00	32.92	
80	308.52	18.87	357.93	23.25	408.00	27.99	469.80	34.24	481.95	34.58	495.00	34.92	
85	308.52	20.60	357.93	25.44	408.00	30.68	460.80	36.20	471.60	36.53	486.00	36.89	
90	308.52	22.47	357.93	27.79	408.00	33.55	449.10	38.12	462.60	38.51	474.30	38.90	
95	308.52	24.45	357.93	30.33	408.00	36.68	439.20	40.43	453.60	40.68	464.40	40.91	
100	308.52	26.64	357.93	33.09	404.40	39.53	430.20	42.04	442.35	42.47	449.10	42.63	
105	308.52	29.22	357.93	36.38	399.20	42.35	420.00	44.28	426.00	44.71	426.00	44.71	
110	308.52	32.54	357.93	40.50	391.20	45.69	399.60	46.96	399.60	46.96	403.20	46.96	
115	308.52	36.17	336.87	44.58	346.80	47.67	347.76	47.81	348.84	47.81	349.92	47.81	
118	297.22	36.94	297.68	41.76	298.25	43.45	299.07	43.58	300.00	43.58	300.93	43.58	
122	255.61	33.62	256.01	38.00	256.49	39.54	257.20	39.66	258.00	39.66	258.80	39.66	
125	219.82	30.59	220.16	34.58	220.58	35.98	221.19	36.09	221.88	36.09	222.57	36.09	
100	5	280.44	11.35	325.80	13.29	370.44	15.30	432.00	18.12	493.20	21.08	554.40	24.11
	14	280.44	11.58	325.80	13.56	370.44	15.61	432.00	18.49	493.20	21.51	554.40	24.61
	25	280.44	11.82	325.80	13.83	370.44	15.93	432.00	18.87	493.20	21.95	554.40	25.11
	30	280.44	12.06	325.80	14.12	370.44	16.27	432.00	19.29	493.20	22.47	554.40	25.68
	35	280.44	12.31	325.80	14.45	370.44	16.68	432.00	19.78	493.20	23.02	554.40	26.32
	40	280.44	12.57	325.80	14.79	370.44	17.08	432.00	20.27	493.20	23.57	554.40	26.95
	45	280.44	12.86	325.80	15.15	370.44	17.50	432.00	20.77	493.20	24.18	549.00	27.16
	50	280.44	13.16	325.80	15.51	370.44	17.92	432.00	21.28	493.20	24.79	543.60	27.37
	55	280.44	13.48	325.80	15.88	370.44	18.38	432.00	21.86	493.20	25.45	533.70	27.17
	60	280.44	13.81	325.80	16.30	370.44	18.88	432.00	22.44	493.20	26.14	522.00	27.35
	65	280.44	14.41	325.80	16.98	370.44	19.68	432.00	23.44	491.85	28.01	507.60	29.21
	70	280.44	14.55	325.80	17.19	370.44	20.29	432.00	25.09	486.00	29.83	504.00	30.72
	75	280.44	15.23	325.80	18.59	370.44	22.25	432.00	27.63	482.40	32.26	493.20	32.66
	80	280.44	16.63	325.80	20.38	370.44	24.40	432.00	30.36	472.95	34.34	484.20	34.62
	85	280.44	18.15	325.80	22.28	370.44	26.73	432.00	33.28	462.60	36.28	475.20	36.60
90	280.44	19.77	325.80	24.31	370.44	29.21	432.00	36.42	453.60	38.24	463.50	38.58	
95	280.44	21.49	325.80	26.47	370.44	31.86	432.00	40.30	442.80	40.43	453.60	40.57	
100	280.44	23.38	325.80	28.84	370.44	34.77	423.00	41.72	433.80	42.18	443.70	42.53	
105	280.44	25.65	325.80	31.70	370.44	38.26	412.80	44.14	422.40	44.50	426.00	44.71	
110	280.44	28.52	325.80	35.31	370.44	42.70	399.60	46.96	399.60	46.96	403.20	46.96	
115	280.44	31.65	325.80	39.29	345.00	45.82	347.76	47.81	348.84	47.81	349.92	47.81	
118	280.44	33.55	286.70	36.65	298.25	41.99	299.07	43.58	300.00	43.58	300.93	43.58	
122	241.18	30.53	246.57	33.36	256.49	38.21	257.20	39.66	258.00	39.66	258.80	39.66	
125	207.41	27.78	212.05	30.35	220.58	34.77	221.19	36.09	221.88	36.09	222.57	36.09	
90	5	252.36	10.20	293.13	11.89	334.08	13.64	388.80	16.08	442.80	18.67	496.80	21.34
	14	252.36	10.41	293.13	12.14	334.08	13.92	388.80	16.41	442.80	19.05	496.80	21.77
	25	252.36	10.62	293.13	12.38	334.08	14.20	388.80	16.74	442.80	19.44	496.80	22.22
	30	252.36	10.83	293.13	12.64	334.08	14.51	388.80	17.14	442.80	19.91	496.80	22.76
	35	252.36	11.06	293.13	12.92	334.08	14.85	388.80	17.56	442.80	20.39	496.80	23.31
	40	252.36	11.30	293.13	13.20	334.08	15.19	388.80	17.98	442.80	20.88	496.80	23.86
	45	252.36	11.55	293.13	13.52	334.08	15.56	388.80	18.43	442.80	21.41	496.80	24.48
	50	252.36	11.80	293.13	13.84	334.08	15.92	388.80	18.87	442.80	21.94	496.80	25.09
	55	252.36	12.07	293.13	14.15	334.08	16.32	388.80	19.36	442.80	22.52	496.80	25.78
	60	252.36	12.35	293.13	14.51	334.08	16.75	388.80	19.89	442.80	23.13	496.80	26.46
	65	252.36	12.86	293.13	15.12	334.08	17.44	388.80	20.73	442.80	24.31	496.80	28.58
	70	252.36	12.99	293.13	15.31	334.08	17.69	388.80	21.58	442.80	26.10	493.20	30.50
	75	252.36	13.37	293.13	16.19	334.08	19.22	388.80	23.69	442.80	28.73	482.40	32.41
	80	252.36	14.56	293.13	17.70	334.08	21.07	388.80	26.03	442.80	31.57	473.40	34.37

Connected Capacity Ratio	Outdoor air temp.	Indoor air temp.											
		DB /WB		DB /WB		DB /WB		DB /WB		DB /WB		DB /WB	
		67°F	57°F	71°F	60°F	75°F	63°F	80°F	67°F	85°F	71°F	90°F	75°F
		Tc	PI	Tc	PI	Tc	PI	Tc	PI	Tc	PI	Tc	PI
°F DB	MBH	kW	MBH	kW	MBH	kW	MBH	kW	MBH	kW	MBH	kW	
80	85	252.36	15.89	293.13	19.33	334.08	23.03	388.80	28.50	441.90	34.45	464.40	36.30
	90	252.36	17.27	293.13	21.05	334.08	25.13	388.80	31.15	436.95	37.08	455.40	38.27
	95	252.36	18.74	293.13	22.90	334.08	27.39	388.80	34.02	432.00	39.75	442.80	40.24
	100	252.36	20.35	293.13	24.94	334.08	29.86	388.80	37.14	424.80	41.82	433.80	42.25
	105	252.36	22.30	293.13	27.35	334.08	32.82	388.80	40.88	414.60	44.21	423.60	44.71
	110	252.36	24.75	293.13	30.43	334.08	36.56	388.80	45.69	399.60	46.96	403.20	46.96
	115	252.36	27.42	293.13	33.79	333.60	43.85	347.76	47.81	348.84	47.81	349.92	47.81
	118	252.36	29.06	286.70	35.04	290.23	40.44	299.07	43.58	300.00	43.58	300.93	43.58
	122	217.03	26.45	246.57	31.88	249.60	36.80	257.20	39.66	258.00	39.66	258.80	39.66
	125	186.65	24.07	212.05	29.01	214.66	33.48	221.19	36.09	221.88	36.09	222.57	36.09
	5	224.28	9.12	260.73	10.55	297.12	12.03	345.60	14.13	394.20	16.34	442.80	18.62
	14	224.28	9.31	260.73	10.76	297.12	12.28	345.60	14.42	394.20	16.68	442.80	19.00
	25	224.28	9.50	260.73	10.98	297.12	12.53	345.60	14.72	394.20	17.02	442.80	19.39
	30	224.28	9.65	260.73	11.20	297.12	12.79	345.60	15.02	394.20	17.41	442.80	19.84
	35	224.28	9.86	260.73	11.44	297.12	13.09	345.60	15.38	394.20	17.82	442.80	20.33
	40	224.28	10.07	260.73	11.69	297.12	13.38	345.60	15.74	394.20	18.24	442.80	20.82
	45	224.28	10.28	260.73	11.95	297.12	13.69	345.60	16.14	394.20	18.70	442.80	21.37
	50	224.28	10.49	260.73	12.21	297.12	13.99	345.60	16.54	394.20	19.17	442.80	21.92
	55	224.28	10.71	260.73	12.50	297.12	14.34	345.60	16.93	394.20	19.67	442.80	22.50
	60	224.28	10.98	260.73	12.80	297.12	14.71	345.60	17.39	394.20	20.20	442.80	23.10
65	224.28	11.40	260.73	13.31	297.12	15.34	345.60	18.10	394.20	21.08	442.80	24.24	
70	224.28	11.51	260.73	13.48	297.12	15.51	345.60	18.36	394.20	22.00	442.80	26.02	
75	224.28	11.80	260.73	13.99	297.12	16.44	345.60	20.10	394.20	24.20	442.80	28.64	
80	224.28	12.65	260.73	15.21	297.12	17.97	345.60	22.02	394.20	26.54	442.80	31.48	
85	224.28	13.75	260.73	16.59	297.12	19.64	345.60	24.10	394.20	29.08	442.80	34.52	
90	224.28	14.95	260.73	18.06	297.12	21.40	345.60	26.30	394.20	31.79	442.80	37.70	
95	224.28	16.20	260.73	19.60	297.12	23.27	345.60	28.69	394.20	34.71	435.60	39.90	
100	224.28	17.55	260.73	21.30	297.12	25.34	345.60	31.27	394.20	37.93	423.00	41.89	
105	224.28	19.17	260.73	23.32	297.12	27.79	345.60	34.38	394.20	41.70	415.20	44.28	
110	224.28	21.24	260.73	25.90	297.12	30.93	345.60	38.33	390.60	45.69	403.20	46.96	
115	224.28	23.52	260.73	28.73	297.12	34.35	345.60	42.73	348.84	47.81	349.92	47.81	
118	224.28	24.94	260.73	30.45	290.23	35.57	299.07	39.20	300.00	43.58	300.93	43.58	
122	192.88	22.69	224.23	27.71	249.60	32.37	257.20	35.67	258.00	39.66	258.80	39.66	
125	165.88	20.65	192.84	25.22	214.66	29.46	221.19	32.46	221.88	36.09	222.57	36.09	
5	196.20	8.06	228.06	9.26	260.04	10.51	302.40	12.25	344.70	14.09	388.80	16.03	
14	196.20	8.23	228.06	9.45	260.04	10.72	302.40	12.50	344.70	14.38	388.80	16.35	
25	196.20	8.40	228.06	9.64	260.04	10.94	302.40	12.76	344.70	14.67	388.80	16.69	
30	196.20	8.55	228.06	9.82	260.04	11.14	302.40	13.03	344.70	15.02	388.80	17.05	
35	196.20	8.72	228.06	10.03	260.04	11.39	302.40	13.33	344.70	15.37	388.80	17.47	
40	196.20	8.88	228.06	10.25	260.04	11.64	302.40	13.62	344.70	15.72	388.80	17.90	
45	196.20	9.05	228.06	10.47	260.04	11.91	302.40	13.94	344.70	16.10	388.80	18.34	
50	196.20	9.22	228.06	10.68	260.04	12.19	302.40	14.26	344.70	16.48	388.80	18.79	
55	196.20	9.43	228.06	10.90	260.04	12.44	302.40	14.63	344.70	16.91	388.80	19.27	
60	196.20	9.65	228.06	11.17	260.04	12.75	302.40	15.00	344.70	17.36	388.80	19.80	
65	196.20	9.98	228.06	11.61	260.04	13.27	302.40	15.62	344.70	18.09	388.80	20.65	
70	196.20	10.07	228.06	11.72	260.04	13.43	302.40	15.78	344.70	18.36	388.80	21.45	
75	196.20	10.32	228.06	12.01	260.04	13.89	302.40	16.80	344.70	20.05	388.80	23.57	
80	196.20	10.85	228.06	12.92	260.04	15.14	302.40	18.39	344.70	21.97	388.80	25.87	
85	196.20	11.80	228.06	14.07	260.04	16.51	302.40	20.08	344.70	24.02	388.80	28.35	
90	196.20	12.79	228.06	15.28	260.04	17.96	302.40	21.88	344.70	26.23	388.80	30.98	
95	196.20	13.84	228.06	16.56	260.04	19.50	302.40	23.82	344.70	28.62	388.80	33.80	
100	196.20	14.96	228.06	17.96	260.04	21.19	302.40	25.91	344.70	31.18	388.80	36.91	
105	196.20	16.30	228.06	19.62	260.04	23.21	302.40	28.43	344.70	34.29	388.80	40.66	
110	196.20	18.07	228.06	21.78	260.04	25.78	302.40	31.65	344.70	38.23	388.80	45.27	
115	196.20	19.93	228.06	24.08	260.04	28.57	302.40	35.16	341.64	44.21	349.92	47.81	
118	196.20	21.12	228.06	25.53	260.04	30.29	272.16	33.54	300.00	41.15	300.93	43.58	
122	168.73	19.22	196.13	23.23	223.63	27.56	234.06	30.52	258.00	37.45	258.80	39.66	
125	145.11	17.49	168.67	21.14	192.33	25.08	201.29	27.78	221.88	34.08	222.57	36.09	
5	168.12	7.08	195.39	8.06	222.72	9.07	259.20	10.48	295.56	11.96	331.92	13.53	
14	168.12	7.22	195.39	8.22	222.72	9.26	259.20	10.70	295.56	12.21	331.92	13.80	
25	168.12	7.37	195.39	8.39	222.72	9.45	259.20	10.92	295.56	12.46	331.92	14.08	
30	168.12	7.49	195.39	8.54	222.72	9.62	259.20	11.13	295.56	12.71	331.92	14.39	
35	168.12	7.64	195.39	8.70	222.72	9.80	259.20	11.36	295.56	13.00	331.92	14.72	
40	168.12	7.78	195.39	8.86	222.72	9.98	259.20	11.59	295.56	13.29	331.92	15.06	
45	168.12	7.93	195.39	9.04	222.72	10.20	259.20	11.87	295.56	13.60	331.92	15.42	
50	168.12	8.08	195.39	9.22	222.72	10.42	259.20	12.14	295.56	13.92	331.92	15.78	
55	168.12	8.21	195.39	9.41	222.72	10.67	259.20	12.42	295.56	14.27	331.92	16.20	
60	168.12	8.40	195.39	9.62	222.72	10.92	259.20	12.71	295.56	14.64	331.92	16.63	
65	168.12	8.65	195.39	9.96	222.72	11.32	259.20	13.20	295.56	15.25	331.92	17.34	
70	168.12	8.76	195.39	10.06	222.72	11.42	259.20	13.37	295.56	15.42	331.92	17.52	
75	168.12	8.93	195.39	10.29	222.72	11.73	259.20	13.79	295.56	16.31	331.92	19.04	

Connected Capacity Ratio	Outdoor air temp.	Indoor air temp.											
		DB /WB		DB /WB		DB /WB		DB /WB		DB /WB		DB /WB	
		67°F	57°F	71°F	60°F	75°F	63°F	80°F	67°F	85°F	71°F	90°F	75°F
		Tc	PI	Tc	PI	Tc	PI	Tc	PI	Tc	PI	Tc	PI
	°F DB	MBH	kW	MBH	kW	MBH	kW	MBH	kW	MBH	kW	MBH	kW
	80	168.12	9.24	195.39	10.84	222.72	12.57	259.20	15.07	295.56	17.83	331.92	20.86
	85	168.12	10.01	195.39	11.78	222.72	13.67	259.20	16.42	295.56	19.47	331.92	22.78
	90	168.12	10.80	195.39	12.76	222.72	14.85	259.20	17.85	295.56	21.22	331.92	24.87
	95	168.12	11.68	195.39	13.80	222.72	16.09	259.20	19.42	295.56	23.10	331.92	27.08
	100	168.12	12.59	195.39	14.92	222.72	17.42	259.20	21.08	295.56	25.12	331.92	29.53
	105	168.12	13.69	195.39	16.27	222.72	19.04	259.20	23.09	295.56	27.58	331.92	32.44
	110	168.12	15.10	195.39	17.99	222.72	21.10	259.20	25.64	295.56	30.67	331.92	36.17
	115	168.12	16.63	195.39	19.90	222.72	23.35	259.20	28.43	295.56	34.08	331.92	40.24
	118	168.12	17.63	195.39	21.09	222.72	24.76	259.20	30.14	271.92	33.23	300.93	38.67
	122	144.58	16.04	168.04	19.19	191.54	22.53	222.91	27.43	233.85	30.24	258.80	35.19
	125	124.34	14.60	144.51	17.46	164.72	20.50	191.70	24.96	201.11	27.52	222.57	32.02
	5	140.04	6.09	162.72	6.86	185.40	7.64	216.00	8.71	246.42	9.84	275.04	11.02
	14	140.04	6.21	162.72	7.00	185.40	7.80	216.00	8.89	246.42	10.04	275.04	11.25
	25	140.04	6.34	162.72	7.14	185.40	7.95	216.00	9.07	246.42	10.24	275.04	11.48
	30	140.04	6.43	162.72	7.26	185.40	8.10	216.00	9.22	246.42	10.41	275.04	11.72
	35	140.04	6.56	162.72	7.37	185.40	8.22	216.00	9.39	246.42	10.63	275.04	11.97
	40	140.04	6.68	162.72	7.48	185.40	8.33	216.00	9.56	246.42	10.85	275.04	12.23
	45	140.04	6.81	162.72	7.62	185.40	8.50	216.00	9.79	246.42	11.11	275.04	12.50
	50	140.04	6.94	162.72	7.76	185.40	8.66	216.00	10.03	246.42	11.36	275.04	12.78
	55	140.04	6.98	162.72	7.93	185.40	8.90	216.00	10.21	246.42	11.63	275.04	13.14
	60	140.04	7.15	162.72	8.07	185.40	9.08	216.00	10.43	246.42	11.92	275.04	13.45
	65	140.04	7.32	162.72	8.31	185.40	9.37	216.00	10.78	246.42	12.40	275.04	14.03
	70	140.04	7.45	162.72	8.40	185.40	9.42	216.00	10.96	246.42	12.48	275.04	13.58
	75	140.04	7.53	162.72	8.58	185.40	9.58	216.00	10.79	246.42	12.57	275.04	14.51
	80	140.04	7.64	162.72	8.76	185.40	10.00	216.00	11.75	246.42	13.69	275.04	15.84
	85	140.04	8.21	162.72	9.49	185.40	10.84	216.00	12.76	246.42	14.92	275.04	17.22
	90	140.04	8.81	162.72	10.24	185.40	11.74	216.00	13.82	246.42	16.22	275.04	18.75
	95	140.04	9.52	162.72	11.04	185.40	12.68	216.00	15.02	246.42	17.58	275.04	20.35
	100	140.04	10.22	162.72	11.88	185.40	13.66	216.00	16.25	246.42	19.07	275.04	22.15
	105	140.04	11.08	162.72	12.93	185.40	14.87	216.00	17.74	246.42	20.87	275.04	24.21
	110	140.04	12.14	162.72	14.21	185.40	16.42	216.00	19.63	246.42	23.12	275.04	27.08
	115	140.04	13.33	162.72	15.71	185.40	18.14	216.00	21.70	246.42	23.95	275.04	32.66
	118	140.04	14.13	162.72	16.65	185.40	19.22	216.00	23.01	246.42	25.38	275.04	34.62
	122	120.43	12.86	139.94	15.15	159.44	17.49	185.76	20.94	211.92	23.10	236.53	31.51
	125	103.57	11.70	120.35	13.79	137.12	15.92	159.75	19.05	182.25	21.02	203.42	28.67

50

2. Heating Capacity

a. Single Units

Table 65 - 38VMA072HDS5-1, 38VMA072HDS6-1

Connected Capacity Ratio	Outdoor air temp.		Indoor air temp. °F DB											
			61°F		64°F		67°F		70°F		73°F		75°F	
	°F DB	°F WB	Tc	PI	Tc	PI	Tc	PI	Tc	PI	Tc	PI	Tc	PI
135	-3.00	-4.0	43.20	6.04	43.10	6.08	42.99	6.12	42.89	6.15	42.79	6.18	42.70	6.20
	2.00	1.0	45.90	6.14	45.80	6.17	45.69	6.21	45.58	6.23	45.47	6.26	45.39	6.28
	7.00	6.0	49.50	6.25	49.40	6.28	49.27	6.30	49.16	6.32	49.05	6.34	48.98	6.35
	12.00	10.0	53.10	6.39	52.99	6.41	52.86	6.42	52.74	6.43	52.63	6.44	52.55	6.45
	17.00	15.0	56.98	6.54	56.87	6.54	56.73	6.54	56.61	6.54	56.49	6.55	56.39	6.55
	22.00	20.0	61.24	6.37	61.13	6.37	60.99	6.37	60.87	6.38	60.74	6.38	60.64	6.38
	27.00	24.0	66.77	6.24	66.65	6.24	66.51	6.24	66.38	6.24	66.24	6.24	66.14	6.24
	32.00	29.0	74.57	6.06	74.42	6.07	74.28	6.07	74.15	6.07	74.01	6.07	73.90	6.07
	37.00	34.0	79.47	5.89	79.28	5.89	79.16	5.90	79.04	5.90	78.87	5.90	78.79	5.90
	42.00	38.0	85.17	5.76	84.98	5.76	84.85	5.76	82.74	5.76	82.08	5.76	81.00	5.76
	47.00	43.0	93.36	5.59	91.25	5.59	89.13	5.59	87.01	5.59	84.90	5.59	83.49	5.59
	52.00	47.0	96.78	5.45	94.67	5.45	92.55	5.45	90.43	5.45	88.32	5.45	86.91	5.45
	57.00	52.0	101.06	5.28	98.95	5.28	96.83	5.28	94.71	5.28	92.60	5.28	91.18	5.28
	62.00	56.0	104.48	5.14	102.37	5.14	100.25	5.14	98.13	5.14	96.02	5.14	91.90	4.90
	67.00	61.0	108.76	4.97	106.64	4.97	104.53	4.97	102.41	4.97	96.74	4.68	91.90	4.41
	72.00	66.0	113.04	4.79	110.92	4.80	108.81	4.80	103.99	4.60	96.74	4.22	91.90	3.98
75.00	69.0	115.60	4.69	113.49	4.69	111.37	4.69	104.94	4.37	96.74	3.95	91.90	3.72	
120	-3.00	-4.0	43.01	6.10	42.92	6.14	42.85	6.17	42.76	6.20	42.64	6.22	42.58	6.24
	2.00	1.0	45.71	6.19	45.61	6.22	45.54	6.24	45.45	6.27	45.35	6.29	45.26	6.30
	7.00	6.0	49.32	6.29	49.22	6.31	49.12	6.33	49.02	6.34	48.91	6.36	48.82	6.37
	12.00	10.0	52.90	6.41	52.80	6.42	52.70	6.43	52.60	6.44	52.49	6.45	52.39	6.46
	17.00	15.0	56.83	6.54	56.67	6.54	56.56	6.55	56.47	6.55	56.34	6.55	56.25	6.55
	22.00	20.0	61.02	6.37	60.90	6.37	60.81	6.38	60.71	6.38	60.59	6.38	60.49	6.38
	27.00	24.0	66.53	6.24	66.41	6.24	66.32	6.24	66.22	6.24	66.05	6.24	65.98	6.24
	32.00	29.0	74.32	6.07	74.19	6.07	74.07	6.07	73.95	6.07	73.62	6.07	73.13	6.07
	37.00	34.0	79.22	5.90	79.09	5.90	78.93	5.90	78.79	5.90	75.03	5.90	73.01	5.90
	42.00	38.0	81.47	5.76	81.35	5.76	81.19	5.76	80.40	5.76	78.45	5.76	75.37	5.76
	47.00	43.0	90.54	5.59	88.59	5.59	86.63	5.59	84.68	5.59	82.73	5.59	81.42	5.59
	52.00	47.0	93.96	5.45	92.01	5.45	90.05	5.45	88.10	5.45	86.15	5.45	84.83	5.45
	57.00	52.0	98.24	5.28	96.29	5.28	94.33	5.28	92.38	5.28	89.30	5.17	84.83	4.87
	62.00	56.0	101.66	5.14	99.71	5.14	97.75	5.14	95.80	5.14	89.30	4.74	84.83	4.46
	67.00	61.0	105.94	4.97	103.99	4.97	102.03	4.97	95.99	4.64	89.30	4.26	84.83	4.02
	72.00	66.0	110.22	4.80	108.26	4.80	102.69	4.53	95.99	4.18	89.30	3.85	84.83	3.63
75.00	69.0	112.78	4.69	110.83	4.69	103.09	4.26	95.99	3.91	89.30	3.60	84.83	3.40	
110	-3.00	-4.0	42.85	6.16	42.79	6.19	42.68	6.21	42.58	6.24	42.50	6.26	42.46	6.28
	2.00	1.0	45.58	6.24	45.48	6.26	45.37	6.28	45.26	6.30	45.20	6.32	45.13	6.34
	7.00	6.0	49.16	6.33	49.06	6.34	48.95	6.35	48.85	6.37	48.78	6.39	48.69	6.40
	12.00	10.0	52.74	6.43	52.64	6.44	52.52	6.45	52.41	6.46	52.31	6.46	52.25	6.47
	17.00	15.0	59.44	6.54	59.33	6.55	59.19	6.55	56.32	6.55	56.20	6.55	56.10	6.55
	22.00	20.0	63.30	6.37	63.18	6.38	63.04	6.38	60.49	6.38	60.39	6.38	60.34	6.38
	27.00	24.0	68.31	6.24	68.23	6.24	68.10	6.24	65.98	6.24	65.11	6.24	63.68	6.24
	32.00	29.0	75.60	6.07	75.47	6.07	75.34	6.07	73.43	6.07	70.70	6.07	67.95	6.07
	37.00	34.0	79.75	5.90	79.62	5.90	79.03	5.90	76.14	5.90	71.92	5.90	69.13	5.90
	42.00	38.0	84.97	5.76	84.37	5.76	82.03	5.76	78.07	5.76	76.28	5.76	73.32	5.76
	47.00	43.0	91.26	5.59	88.11	5.59	84.14	5.59	82.35	5.59	80.56	5.59	77.76	5.40
	52.00	47.0	93.89	5.45	89.35	5.45	87.56	5.45	85.77	5.45	81.86	5.22	77.76	4.92
	57.00	52.0	95.42	5.28	93.63	5.28	91.84	5.28	87.99	5.08	81.86	4.67	77.76	4.40
	62.00	56.0	98.84	5.14	97.05	5.14	94.13	5.04	87.99	4.65	81.86	4.28	77.76	4.04
	67.00	61.0	103.12	4.97	100.27	4.88	94.13	4.53	87.99	4.19	81.86	3.86	77.76	3.64
	72.00	66.0	106.41	4.72	100.27	4.40	94.13	4.09	87.99	3.79	81.86	3.49	77.76	3.30
75.00	69.0	108.39	4.58	100.27	4.11	94.13	3.83	87.99	3.54	81.86	3.27	77.76	3.09	
100	-3.00	-4.0	42.70	6.21	42.61	6.23	42.54	6.25	42.46	6.28	42.37	6.44	42.33	7.19
	2.00	1.0	45.39	6.28	45.29	6.29	45.22	6.31	45.13	6.33	45.05	6.49	45.00	7.03
	7.00	6.0	48.96	6.35	48.85	6.36	48.78	6.38	48.69	6.39	48.60	6.55	48.55	6.86
	12.00	10.0	52.53	6.45	52.43	6.45	52.35	6.46	52.25	6.47	51.97	6.58	51.56	6.72
	17.00	15.0	59.21	6.55	59.10	6.55	59.01	6.55	56.10	6.55	55.25	6.55	54.23	6.55
	22.00	20.0	63.06	6.38	62.95	6.38	62.85	6.38	60.34	6.38	57.84	6.38	55.57	6.38
	27.00	24.0	68.12	6.24	68.00	6.24	67.61	6.24	63.76	6.24	60.22	6.24	57.85	6.24
	32.00	29.0	75.38	6.07	74.86	6.07	72.87	6.07	68.04	6.07	64.26	6.07	61.74	6.07
	37.00	34.0	83.09	5.90	80.62	5.90	77.09	5.90	72.31	5.90	68.30	5.90	65.62	5.90
	42.00	38.0	88.21	5.76	84.11	5.76	79.94	5.76	75.73	5.76	71.53	5.76	68.72	5.46
	47.00	43.0	90.23	5.59	85.94	5.59	81.64	5.59	80.00	5.59	74.41	5.13	70.69	4.83
	52.00	47.0	91.02	5.45	86.69	5.45	85.06	5.45	80.00	5.08	74.41	4.67	70.69	4.41

Connected Capacity Ratio	Outdoor air temp.		Indoor air temp. °F DB												
			61°F		64°F		67°F		70°F		73°F		75°F		
			Tc	PI	Tc	PI	Tc	PI	Tc	PI	Tc	PI	Tc	PI	
	°F DB	°F WB	MBH	kW	MBH	kW	MBH	kW	MBH	kW	MBH	kW	MBH	kW	
	57.00	52.0	92.60	5.28	90.97	5.28	85.58	4.92	80.00	4.54	74.41	4.18	70.69	3.95	
	62.00	56.0	96.02	5.14	91.16	4.85	85.58	4.51	80.00	4.17	74.41	3.84	70.69	3.63	
	67.00	61.0	96.74	4.68	91.16	4.36	85.58	4.06	80.00	3.76	74.41	3.47	70.69	3.28	
	72.00	66.0	96.74	4.22	91.16	3.94	85.58	3.67	80.00	3.40	74.41	3.14	70.69	2.97	
	75.00	69.0	96.74	3.95	91.16	3.69	85.58	3.43	80.00	3.19	74.41	2.95	70.69	2.79	
90	-3.00	-4.0	41.79	7.18	41.71	7.19	41.64	7.19	41.61	7.19	41.05	7.19	40.07	7.19	
	2.00	1.0	44.42	7.02	44.37	7.02	44.29	7.02	44.23	7.03	43.56	7.03	42.12	7.03	
	7.00	6.0	48.40	6.85	48.35	6.85	48.29	6.86	48.20	6.86	47.11	6.86	45.29	6.86	
	12.00	10.0	52.80	6.72	52.75	6.72	52.65	6.72	51.73	6.72	50.84	6.72	48.87	6.72	
	17.00	15.0	61.52	6.55	61.46	6.55	60.80	6.55	55.54	6.55	54.57	6.55	52.45	6.55	
	22.00	20.0	64.65	6.38	64.47	6.38	62.25	6.38	56.72	6.38	55.72	6.38	55.56	6.38	
	27.00	24.0	70.64	6.24	68.21	6.24	65.15	6.24	59.93	6.24	56.62	6.25	58.98	6.25	
	32.00	29.0	78.14	6.07	74.42	6.07	70.72	6.07	65.70	6.07	64.24	6.07	63.26	6.07	
	37.00	34.0	82.41	5.90	78.48	5.90	74.59	5.90	69.98	5.90	66.97	5.68	63.62	5.35	
	42.00	38.0	83.95	5.76	79.95	5.76	75.98	5.76	72.00	5.58	66.97	5.12	63.62	4.83	
	47.00	43.0	85.09	5.59	81.04	5.59	77.02	5.34	72.00	4.94	66.97	4.54	63.62	4.28	
	52.00	47.0	86.15	5.45	82.04	5.24	77.02	4.86	72.00	4.50	66.97	4.14	63.62	3.91	
	57.00	52.0	87.06	5.02	82.04	4.68	77.02	4.35	72.00	4.03	66.97	3.72	63.62	3.51	
	62.00	56.0	87.06	4.60	82.04	4.29	77.02	3.99	72.00	3.70	66.97	3.42	63.62	3.23	
	67.00	61.0	87.06	4.14	82.04	3.87	77.02	3.60	72.00	3.34	66.97	3.09	63.62	2.93	
	72.00	66.0	87.06	3.74	82.04	3.50	77.02	3.26	72.00	3.03	66.97	2.81	63.62	2.66	
	75.00	69.0	87.06	3.50	82.04	3.28	77.02	3.06	72.00	2.85	66.97	2.64	63.62	2.50	
	80	-3.00	-4.0	41.73	7.19	40.82	7.19	39.90	7.19	39.00	7.19	37.82	7.20	36.97	7.20
		2.00	1.0	46.14	7.02	44.76	7.02	43.39	7.03	42.03	7.03	40.45	7.03	39.57	7.03
		7.00	6.0	51.83	6.86	49.93	6.86	48.04	6.86	46.16	6.86	44.12	6.86	43.19	6.86
12.00		10.0	57.83	6.72	55.38	6.72	52.92	6.72	50.47	6.72	47.94	6.73	46.96	6.73	
17.00		15.0	64.15	6.55	61.09	6.55	58.04	6.55	54.98	6.55	51.93	6.55	50.89	6.56	
22.00		20.0	64.85	6.38	61.76	6.38	58.67	6.38	55.58	6.38	52.49	6.38	51.44	6.38	
27.00		24.0	65.73	6.24	62.60	6.24	59.47	6.25	56.34	6.25	57.79	6.25	55.52	6.18	
32.00		29.0	73.93	6.07	70.41	6.07	66.89	6.07	63.37	6.07	59.53	5.67	56.55	5.34	
37.00		34.0	74.66	5.90	71.11	5.90	67.55	5.83	64.00	5.38	59.53	4.95	56.55	4.67	
42.00		38.0	74.66	5.76	71.11	5.67	67.55	5.26	64.00	4.86	59.53	4.48	56.55	4.23	
47.00		43.0	74.66	5.37	71.11	5.01	67.55	4.66	64.00	4.31	59.53	3.98	56.55	3.76	
52.00		47.0	74.66	4.89	71.11	4.57	67.55	4.25	64.00	3.94	59.53	3.64	56.55	3.44	
57.00		52.0	74.66	4.37	71.11	4.09	67.55	3.81	64.00	3.54	59.53	3.27	56.55	3.10	
62.00		56.0	74.66	4.01	71.11	3.76	67.55	3.50	64.00	3.25	59.53	3.01	56.55	2.86	
67.00		61.0	74.66	3.62	71.11	3.39	67.55	3.17	64.00	2.95	59.53	2.73	56.55	2.59	
72.00		66.0	74.66	3.28	71.11	3.07	67.55	2.87	64.00	2.68	59.53	2.48	56.55	2.36	
75.00		69.0	74.66	3.08	71.11	2.88	67.55	2.70	64.00	2.51	59.53	2.34	56.55	2.22	
70		-3.00	-4.0	41.07	7.19	40.16	7.19	39.26	7.20	38.38	7.20	37.22	7.20	36.11	7.20
		2.00	1.0	45.48	7.03	44.12	7.03	42.77	7.03	41.43	7.03	39.88	7.03	38.59	7.03
		7.00	6.0	51.16	6.86	49.28	6.86	47.42	6.86	45.57	6.86	43.56	6.86	42.06	6.86
	12.00	10.0	57.15	6.72	54.72	6.72	52.31	6.73	49.90	6.73	47.41	6.73	45.68	6.73	
	17.00	15.0	63.46	6.55	60.43	6.55	57.44	6.55	54.43	6.56	51.43	6.56	49.44	6.56	
	22.00	20.0	64.15	6.38	61.09	6.38	58.07	6.38	55.03	6.38	52.09	6.36	49.49	5.99	
	27.00	24.0	65.28	6.25	62.17	6.25	59.09	6.25	56.00	6.11	52.09	5.61	49.49	5.28	
	32.00	29.0	65.28	6.07	62.17	6.07	59.09	5.71	56.00	5.28	52.09	4.86	49.49	4.58	
	37.00	34.0	65.28	5.76	62.17	5.37	59.09	4.99	56.00	4.62	52.09	4.26	49.49	4.02	
	42.00	38.0	65.28	5.19	62.17	4.85	59.09	4.51	56.00	4.18	52.09	3.86	49.49	3.65	
	47.00	43.0	65.28	4.60	62.17	4.30	59.09	4.00	56.00	3.72	52.09	3.44	49.49	3.26	
	52.00	47.0	65.28	4.20	62.17	3.93	59.09	3.66	56.00	3.40	52.09	3.15	49.49	2.99	
	57.00	52.0	65.28	3.76	62.17	3.52	59.09	3.29	56.00	3.06	52.09	2.84	49.49	2.70	
	62.00	56.0	65.28	3.46	62.17	3.24	59.09	3.03	56.00	2.83	52.09	2.62	49.49	2.49	
	67.00	61.0	65.28	3.13	62.17	2.94	59.09	2.75	56.00	2.56	52.09	2.38	49.49	2.27	
	72.00	66.0	65.28	2.84	62.17	2.67	59.09	2.50	56.00	2.33	52.09	2.17	49.49	2.07	
	75.00	69.0	65.28	2.67	62.17	2.51	59.09	2.35	56.00	2.20	52.09	2.05	49.49	1.95	
	60	-3.00	-4.0	38.08	7.20	37.29	7.20	36.50	7.20	35.74	7.20	34.82	7.20	33.66	7.20
		2.00	1.0	41.24	7.03	40.06	7.03	38.88	7.03	37.73	7.03	36.55	7.04	35.16	7.04
		7.00	6.0	45.49	6.86	43.87	6.86	42.25	6.86	40.65	6.86	39.17	6.87	37.51	6.87
12.00		10.0	49.95	6.73	47.86	6.73	45.76	6.73	43.68	6.73	41.87	6.73	39.93	6.73	
17.00		15.0	54.62	6.56	52.02	6.56	49.41	6.56	46.81	6.56	44.65	6.30	42.42	5.93	
22.00		20.0	56.75	6.38	54.05	6.38	51.35	6.26	48.00	5.78	44.65	5.31	42.42	5.01	
27.00		24.0	56.75	6.25	54.05	5.94	51.35	5.51	48.00	5.10	44.65	4.70	42.42	4.44	
32.00		29.0	58.04	5.50	54.05	5.13	51.35	4.78	48.00	4.43	44.65	4.09	42.42	3.87	
37.00		34.0	58.04	4.81	54.05	4.50	51.35	4.19	48.00	3.89	44.65	3.60	42.42	3.41	
42.00		38.0	58.04	4.35	54.05	4.07	51.35	3.80	48.00	3.53	44.65	3.27	42.42	3.10	
47.00		43.0	58.04	3.87	54.69	3.62	51.35	3.39	48.00	3.15	44.65	2.93	42.42	2.78	
52.00		47.0	58.04	3.54	54.69	3.32	51.35	3.10	48.00	2.89	44.65	2.69	42.42	2.55	
57.00		52.0	58.04	3.18	54.69	2.99	51.35	2.80	48.00	2.61	44.65	2.43	42.42	2.31	
62.00		56.0	58.04	2.93	54.69	2.76	51.35	2.59	48.00	2.42	44.65	2.25	42.42	2.14	
67.00		61.0	58.04	2.66	54.69	2.50	51.35	2.35	48.00	2.20	44.65	2.05	42.42	1.95	

Connected Capacity Ratio	Outdoor air temp.		Indoor air temp. °F DB											
			61°F		64°F		67°F		70°F		73°F		75°F	
			Tc	PI	Tc	PI	Tc	PI	Tc	PI	Tc	PI	Tc	PI
°F DB	°F WB	MBH	kW	MBH	kW	MBH	kW	MBH	kW	MBH	kW	MBH	kW	
50	72.00	66.0	58.04	2.42	54.69	2.28	51.35	2.14	48.00	2.01	44.65	1.87	42.42	1.79
	75.00	69.0	58.04	2.28	54.69	2.15	51.35	2.02	48.00	1.89	44.65	1.77	42.42	1.69
	-3.00	-4.0	35.40	7.20	35.00	7.20	34.16	7.20	33.34	7.21	32.00	7.21	30.40	7.21
	2.00	1.0	37.47	7.03	36.89	7.04	35.63	7.04	34.39	7.04	32.74	7.04	31.11	7.04
	7.00	6.0	40.48	6.86	39.69	6.87	37.95	6.87	36.23	6.87	34.23	6.87	32.52	6.87
	12.00	10.0	43.60	6.73	42.58	6.73	40.34	6.73	38.10	6.70	35.72	6.15	33.93	5.79
	17.00	15.0	46.83	6.56	45.58	6.45	42.79	5.99	40.00	5.54	37.21	5.10	35.35	4.81
	22.00	20.0	48.37	5.83	45.58	5.44	42.79	5.06	40.00	4.69	37.21	4.33	35.35	4.09
	27.00	24.0	48.37	5.15	45.58	4.81	42.79	4.48	40.00	4.16	37.21	3.85	35.35	3.64
	32.00	29.0	48.37	4.47	45.58	4.18	42.79	3.90	40.00	3.63	37.21	3.37	35.35	3.19
	37.00	34.0	48.37	3.92	45.58	3.68	42.79	3.44	40.00	3.21	37.21	2.98	35.35	2.83
	42.00	38.0	48.37	3.56	45.58	3.34	42.79	3.13	40.00	2.92	37.21	2.72	35.35	2.58
	47.00	43.0	48.37	3.18	45.58	2.99	42.79	2.80	40.00	2.62	37.21	2.44	35.35	2.32
	52.00	47.0	48.37	2.92	45.58	2.75	42.79	2.58	40.00	2.41	37.21	2.25	35.35	2.14
	57.00	52.0	48.37	2.63	45.58	2.48	42.79	2.33	40.00	2.18	37.21	2.04	35.35	1.95
	62.00	56.0	48.37	2.43	45.58	2.30	42.79	2.16	40.00	2.03	37.21	1.89	35.35	1.81
	67.00	61.0	48.37	2.21	45.58	2.09	42.79	1.97	40.00	1.85	37.21	1.73	35.35	1.65
72.00	66.0	48.37	2.02	45.58	1.91	42.79	1.80	40.00	1.69	37.21	1.59	35.35	1.52	
75.00	69.0	48.37	1.91	45.58	1.80	42.79	1.70	40.00	1.60	37.21	1.50	35.35	1.43	

Table 66 - 38VMA096HDS5-1, 38VMA096HDS6-1

Connected Capacity Ratio	Outdoor air temp.		Indoor air temp. °F DB											
			61°F		64°F		67°F		70°F		73°F		75°F	
			Tc	PI	Tc	PI	Tc	PI	Tc	PI	Tc	PI	Tc	PI
°F DB	°F WB	MBH	kW	MBH	kW	MBH	kW	MBH	kW	MBH	kW	MBH	kW	
135	-3.00	-4.0	56.94	7.23	56.77	7.38	56.60	7.53	56.42	7.67	56.25	7.80	56.11	7.88
	2.00	1.0	62.08	7.71	61.90	7.83	61.71	7.94	61.56	8.04	61.34	8.14	61.24	8.20
	7.00	6.0	67.59	8.19	67.40	8.27	67.17	8.34	67.01	8.41	66.79	8.48	66.68	8.52
	12.00	10.0	72.05	8.67	71.86	8.71	71.63	8.75	71.47	8.79	71.24	8.82	71.13	8.85
	17.00	15.0	76.84	9.14	76.65	9.14	76.47	9.15	76.33	9.15	76.11	9.15	76.00	9.15
	22.00	20.0	82.82	8.94	82.63	8.94	82.45	8.94	82.22	8.94	82.08	8.94	81.97	8.95
	27.00	24.0	87.75	8.77	87.12	8.77	86.91	8.77	86.91	8.78	86.63	8.78	86.07	8.78
	32.00	29.0	95.27	8.56	94.89	8.56	94.53	8.57	94.42	8.57	94.24	8.57	93.90	8.57
	37.00	34.0	107.12	8.35	106.78	8.36	106.36	8.36	106.21	8.36	106.21	8.36	106.21	8.36
	42.00	38.0	115.28	8.19	115.01	8.19	114.55	8.19	114.69	8.19	111.52	8.19	111.16	8.19
	47.00	43.0	126.04	7.98	123.18	7.98	120.33	7.98	117.47	7.98	114.61	7.98	112.71	7.98
	52.00	47.0	130.66	7.81	127.80	7.81	124.95	7.81	122.09	7.81	119.23	7.81	117.33	7.81
	57.00	52.0	136.44	7.60	133.58	7.60	130.72	7.60	127.86	7.60	125.01	7.60	123.10	7.60
	62.00	56.0	141.05	7.43	138.20	7.43	135.34	7.43	132.48	7.43	129.63	7.44	124.07	7.08
	67.00	61.0	146.83	7.22	143.97	7.22	141.12	7.22	138.26	7.22	130.60	6.80	124.07	6.41
	72.00	66.0	152.60	7.01	149.75	7.01	146.89	7.01	140.39	6.72	130.60	6.17	124.07	5.82
	75.00	69.0	156.07	6.89	153.21	6.89	150.35	6.89	141.68	6.42	130.60	5.79	124.07	5.46
120	-3.00	-4.0	56.66	7.48	56.48	7.61	56.32	7.73	56.19	7.85	56.04	7.96	55.93	8.03
	2.00	1.0	61.80	7.90	61.62	8.00	61.45	8.09	61.32	8.18	61.10	8.26	61.00	8.31
	7.00	6.0	67.26	8.31	67.07	8.38	66.90	8.45	66.76	8.51	66.54	8.56	66.43	8.59
	12.00	10.0	71.72	8.74	71.53	8.77	71.35	8.80	71.22	8.84	71.03	8.86	70.88	8.88
	17.00	15.0	76.59	9.15	76.40	9.15	76.22	9.15	76.00	9.15	75.86	9.15	75.74	9.16
	22.00	20.0	82.57	8.94	82.37	8.94	82.20	8.94	81.97	8.94	81.83	8.95	81.71	8.95
	27.00	24.0	86.91	8.77	86.91	8.77	86.91	8.78	86.91	8.78	86.07	8.78	86.07	8.78
	32.00	29.0	94.76	8.56	94.50	8.57	94.42	8.57	94.42	8.57	93.90	8.57	93.90	8.57
	37.00	34.0	106.66	8.36	106.32	8.36	106.21	8.36	106.21	8.36	101.29	8.36	100.42	8.36
	42.00	38.0	109.06	8.19	108.67	8.19	108.54	8.19	108.54	8.19	105.91	8.19	102.77	8.19
	47.00	43.0	122.23	7.98	119.59	7.98	116.96	7.98	114.32	7.98	111.68	7.98	109.92	7.98
	52.00	47.0	126.85	7.81	124.21	7.81	121.58	7.81	118.94	7.81	116.30	7.82	114.53	7.81
	57.00	52.0	132.63	7.60	129.99	7.60	127.35	7.60	124.71	7.60	120.55	7.45	114.53	7.01
	62.00	56.0	137.25	7.43	134.61	7.43	131.97	7.43	129.33	7.44	120.55	6.85	114.53	6.45
	67.00	61.0	143.02	7.22	140.38	7.22	137.75	7.22	129.59	6.74	120.55	6.20	114.53	5.84
	72.00	66.0	148.79	7.01	146.16	7.01	138.64	6.62	129.59	6.12	120.55	5.63	114.53	5.31
	75.00	69.0	152.26	6.89	149.62	6.89	139.17	6.26	129.59	5.74	120.55	5.29	114.53	4.99
110	-3.00	-4.0	56.40	7.70	56.24	7.81	56.09	7.91	55.93	8.01	55.80	8.09	55.70	8.13
	2.00	1.0	61.48	8.07	61.36	8.15	61.21	8.22	61.04	8.30	60.88	8.36	60.80	8.37
	7.00	6.0	66.93	8.43	66.80	8.48	66.65	8.54	66.51	8.59	66.31	8.62	66.23	8.62
	12.00	10.0	71.38	8.79	71.26	8.82	71.10	8.85	70.97	8.88	70.80	8.89	70.69	8.88
	17.00	15.0	76.25	9.15	76.06	9.15	75.94	9.15	75.74	9.15	75.60	9.16	75.49	9.16
	22.00	20.0	82.22	8.94	82.03	8.94	81.91	8.95	81.71	8.95	81.57	8.95	81.46	8.95
	27.00	24.0	86.91	8.78	86.91	8.78	86.35	8.78	86.07	8.78	86.07	8.78	86.07	8.78
	32.00	29.0	94.42	8.57	94.42	8.57	94.07	8.57	93.90	8.57	92.99	8.57	91.85	8.57
	37.00	34.0	106.21	8.36	106.21	8.36	106.21	8.36	105.31	8.36	100.94	8.36	97.62	8.36
	42.00	38.0	110.89	8.19	110.89	8.19	109.11	8.19	105.39	8.19	102.98	8.19	99.30	8.20
47.00	43.0	118.42	7.98	116.00	7.98	113.59	7.98	111.17	7.98	108.75	7.98	104.98	7.72	

Connected Capacity Ratio	Outdoor air temp.		Indoor air temp. °F DB												
			61°F		64°F		67°F		70°F		73°F		75°F		
	°F DB	°F WB	Tc	PI	Tc	PI	Tc	PI	Tc	PI	Tc	PI	Tc	PI	
	52.00	47.0	123.04	7.81	120.62	7.81	118.21	7.81	115.79	7.82	110.51	7.49	104.98	7.05	
	57.00	52.0	128.82	7.60	126.40	7.60	123.98	7.60	118.80	7.32	110.51	6.72	104.98	6.33	
	62.00	56.0	133.44	7.43	131.02	7.44	127.08	7.29	118.80	6.73	110.51	6.19	104.98	5.84	
	67.00	61.0	139.21	7.22	135.37	7.10	127.08	6.59	118.80	6.09	110.51	5.61	104.98	5.29	
	72.00	66.0	143.66	6.91	135.37	6.44	127.08	5.98	118.80	5.54	110.51	5.10	104.98	4.82	
	75.00	69.0	146.33	6.71	135.37	6.04	127.08	5.62	118.80	5.20	110.51	4.80	104.98	4.54	
	100	-3.00	-4.0	56.11	7.91	55.98	7.99	55.85	8.08	55.70	8.20	55.58	8.25	55.49	8.66
		2.00	1.0	61.24	8.22	61.06	8.29	60.94	8.35	60.80	8.45	60.65	8.48	60.60	8.90
		7.00	6.0	66.68	8.54	66.49	8.58	66.37	8.62	66.23	8.70	66.07	8.71	66.01	9.15
		12.00	10.0	71.13	8.85	70.99	8.88	70.85	8.90	70.69	8.96	70.56	8.94	70.46	9.38
17.00		15.0	75.91	9.15	75.79	9.15	75.63	9.16	75.49	9.16	75.35	9.16	75.24	9.16	
22.00		20.0	81.88	8.94	81.75	8.95	81.60	8.95	81.46	8.95	81.31	8.95	81.20	8.95	
27.00		24.0	86.07	8.78	86.07	8.78	86.07	8.78	86.07	8.78	86.07	8.78	86.07	8.78	
32.00		29.0	93.90	8.57	93.90	8.57	93.45	8.57	91.85	8.57	87.23	8.57	83.81	8.57	
37.00		34.0	106.21	8.36	105.19	8.36	102.45	8.36	97.62	8.36	92.20	8.36	88.58	8.36	
42.00		38.0	117.39	8.19	113.13	8.19	107.92	8.19	102.24	8.19	96.56	8.20	92.78	7.77	
90	47.00	43.0	121.82	7.98	116.02	7.98	110.22	7.98	108.00	7.98	100.46	7.33	95.44	6.90	
	52.00	47.0	122.89	7.81	117.03	7.81	114.84	7.82	108.00	7.29	100.46	6.70	95.44	6.32	
	57.00	52.0	125.01	7.60	122.81	7.60	115.53	7.08	108.00	6.54	100.46	6.02	95.44	5.68	
	62.00	56.0	129.63	7.44	123.06	7.02	115.53	6.52	108.00	6.03	100.46	5.56	95.44	5.25	
	67.00	61.0	130.60	6.80	123.06	6.35	115.53	5.90	108.00	5.47	100.46	5.04	95.44	4.77	
	72.00	66.0	130.60	6.17	123.06	5.76	115.53	5.36	108.00	4.98	100.46	4.60	95.44	4.35	
	75.00	69.0	130.60	5.79	123.06	5.41	115.53	5.04	108.00	4.68	100.46	4.33	95.44	4.10	
	-3.00	-4.0	54.92	8.70	54.80	8.79	54.70	8.89	54.59	9.02	54.47	9.07	54.38	9.52	
	2.00	1.0	59.32	9.05	59.21	9.11	59.09	9.19	58.97	9.30	58.83	9.33	58.78	9.79	
	7.00	6.0	63.93	9.53	63.81	9.53	63.70	9.53	63.58	9.53	63.43	9.53	63.37	9.54	
80	12.00	10.0	68.21	9.36	68.09	9.36	67.98	9.37	67.86	9.37	67.74	9.37	67.64	9.37	
	17.00	15.0	72.88	9.15	72.76	9.16	72.61	9.16	72.47	9.16	72.09	9.16	71.50	9.16	
	22.00	20.0	76.15	8.95	76.03	8.95	75.89	8.95	75.75	8.95	76.33	8.95	75.01	8.95	
	27.00	24.0	83.51	8.78	83.35	8.78	82.62	8.78	79.19	8.78	80.95	8.78	79.63	8.79	
	32.00	29.0	99.83	8.57	97.51	8.57	93.69	8.57	88.70	8.57	86.72	8.58	85.40	8.58	
	37.00	34.0	109.83	8.36	104.73	8.36	99.79	8.36	94.47	8.36	90.41	8.05	85.89	7.58	
	42.00	38.0	113.00	8.19	107.75	8.19	102.66	8.20	97.20	7.93	90.41	7.29	85.89	6.87	
	47.00	43.0	114.13	7.98	108.82	7.98	103.98	7.63	97.20	7.05	90.41	6.49	85.89	6.12	
	52.00	47.0	115.42	7.82	110.76	7.51	103.98	6.97	97.20	6.45	90.41	5.94	85.89	5.61	
	57.00	52.0	117.54	7.23	110.76	6.74	103.98	6.26	97.20	5.80	90.41	5.35	85.89	5.06	
70	62.00	56.0	117.54	6.65	110.76	6.21	103.98	5.77	97.20	5.35	90.41	4.94	85.89	4.68	
	67.00	61.0	117.54	6.02	110.76	5.62	103.98	5.24	97.20	4.86	90.41	4.50	85.89	4.26	
	72.00	66.0	117.54	5.47	110.76	5.12	103.98	4.77	97.20	4.43	90.41	4.11	85.89	3.89	
	75.00	69.0	117.54	5.14	110.76	4.81	103.98	4.49	97.20	4.18	90.41	3.87	85.89	3.67	
	-3.00	-4.0	53.79	9.57	53.68	9.67	53.56	9.77	53.49	9.92	53.38	9.98	53.30	10.48	
	2.00	1.0	56.96	9.95	56.84	10.03	56.73	10.11	56.62	10.23	56.51	10.26	56.46	10.77	
	7.00	6.0	60.76	9.53	60.66	9.53	60.53	9.53	60.40	9.54	60.04	9.54	59.48	9.54	
	12.00	10.0	66.88	9.37	66.78	9.37	66.64	9.37	66.51	9.37	64.35	9.37	63.36	9.37	
	17.00	15.0	74.32	9.16	74.20	9.16	74.10	9.16	71.75	9.16	67.76	9.16	66.41	9.16	
	22.00	20.0	82.81	8.95	82.29	8.95	79.33	8.95	75.15	8.95	70.98	8.95	68.20	8.96	
60	27.00	24.0	93.25	8.78	88.68	8.78	84.21	8.78	79.77	8.79	78.02	8.79	74.96	8.69	
	32.00	29.0	100.01	8.57	95.10	8.57	90.30	8.58	85.55	8.58	80.37	8.00	76.35	7.54	
	37.00	34.0	101.00	8.36	96.05	8.36	91.20	8.27	86.40	7.63	80.37	7.02	76.35	6.62	
	42.00	38.0	101.00	8.20	96.05	8.06	91.20	7.48	86.40	6.91	80.37	6.37	76.35	6.01	
	47.00	43.0	101.00	7.67	96.05	7.16	91.20	6.65	86.40	6.16	80.37	5.68	76.35	5.37	
	52.00	47.0	101.00	7.01	96.05	6.54	91.20	6.09	86.40	5.65	80.37	5.21	76.35	4.93	
	57.00	52.0	101.00	6.30	96.05	5.89	91.20	5.48	86.40	5.09	80.37	4.71	76.35	4.46	
	62.00	56.0	101.00	5.81	96.05	5.43	91.20	5.06	86.40	4.71	80.37	4.36	76.35	4.13	
	67.00	61.0	101.00	5.27	96.05	4.93	91.20	4.60	86.40	4.28	80.37	3.97	76.35	3.77	
	72.00	66.0	101.00	4.80	96.05	4.50	91.20	4.20	86.40	3.91	80.37	3.63	76.35	3.45	
50	75.00	69.0	101.00	4.51	96.05	4.23	91.20	3.96	86.40	3.69	80.37	3.43	76.35	3.26	
	-3.00	-4.0	52.72	9.94	52.61	9.94	52.52	9.95	52.42	9.95	51.85	9.95	50.75	9.95	
	2.00	1.0	55.99	9.74	55.88	9.74	55.80	9.74	54.92	9.74	53.42	9.75	52.12	9.75	
	7.00	6.0	62.07	9.53	61.95	9.54	61.33	9.54	59.19	9.54	56.47	9.54	54.79	9.54	
	12.00	10.0	70.98	9.37	69.81	9.37	67.28	9.37	63.85	9.37	60.30	9.37	57.93	9.38	
	17.00	15.0	80.36	9.16	76.53	9.16	72.70	9.16	68.88	9.16	65.05	9.17	62.50	9.17	
	22.00	20.0	84.01	8.95	80.00	8.95	76.00	8.95	72.00	8.96	70.32	8.93	66.81	8.40	
	27.00	24.0	88.20	8.78	84.00	8.79	79.80	8.79	75.60	8.59	70.32	7.89	66.81	7.43	
	32.00	29.0	88.20	8.58	84.00	8.58	79.80	8.06	75.60	7.45	70.32	6.86	66.81	6.47	
	37.00	34.0	88.20	8.16	84.00	7.61	79.80	7.07	75.60	6.54	70.32	6.03	66.81	5.70	
40	42.00	38.0	88.20	7.38	84.00	6.89	79.80	6.41	75.60	5.94	70.32	5.49	66.81	5.19	
	47.00	43.0	88.20	6.57	84.00	6.14	79.80	5.72	75.60	5.31	70.32	4.91	66.81	4.65	
	52.00	47.0	88.20	6.01	84.00	5.63	79.80	5.25	75.60	4.88	70.32	4.52	66.81	4.28	
	57.00	52.0	88.20	5.42	84.00	5.08	79.80	4.74	75.60	4.41	70.32	4.09	66.81	3.88	
	62.00	56.0	88.20	5.00	84.00	4.69	79.80	4.39	75.60	4.09	70.32	3.79	66.81	3.60	

Connected Capacity Ratio	Outdoor air temp.		Indoor air temp. °F DB											
			61°F		64°F		67°F		70°F		73°F		75°F	
			Tc	PI	Tc	PI	Tc	PI	Tc	PI	Tc	PI	Tc	PI
°F DB	°F WB	MBH	kW	MBH	kW	MBH	kW	MBH	kW	MBH	kW	MBH	kW	
60	67.00	61.0	88.20	4.55	84.00	4.27	79.80	4.00	75.60	3.73	70.32	3.47	66.81	3.29
	72.00	66.0	88.20	4.15	84.00	3.90	79.80	3.66	75.60	3.41	70.32	3.18	66.81	3.02
	75.00	69.0	88.20	3.92	84.00	3.68	79.80	3.45	75.60	3.23	70.32	3.00	66.81	2.86
	-3.00	-4.0	50.55	9.95	49.48	9.95	48.43	9.95	47.37	9.95	46.24	9.96	44.76	9.96
	2.00	1.0	54.98	9.74	53.39	9.75	51.81	9.75	50.23	9.75	48.75	9.75	46.95	9.75
	7.00	6.0	60.89	9.54	58.71	9.54	56.53	9.54	54.35	9.54	52.46	9.54	50.28	9.54
	12.00	10.0	67.09	9.37	64.27	9.37	61.45	9.37	58.64	9.38	56.30	9.38	53.72	9.38
	17.00	15.0	73.59	9.16	70.09	9.16	66.58	9.17	63.08	9.17	60.28	8.80	57.26	8.29
	22.00	20.0	76.61	8.95	72.97	8.96	69.32	8.77	64.80	8.10	60.28	7.45	57.26	7.03
	27.00	24.0	76.61	8.79	72.97	8.35	69.32	7.76	64.80	7.18	60.28	6.61	57.26	6.24
	32.00	29.0	76.61	7.77	72.97	7.25	69.32	6.74	64.80	6.25	60.28	5.77	57.26	5.46
	37.00	34.0	76.61	6.82	72.97	6.37	69.32	5.94	64.80	5.51	60.28	5.10	57.26	4.83
	42.00	38.0	76.61	6.19	72.97	5.79	69.32	5.40	64.80	5.02	60.28	4.65	57.26	4.41
	47.00	43.0	78.36	5.52	73.84	5.18	69.32	4.84	64.80	4.50	60.28	4.18	57.26	3.97
	52.00	47.0	78.36	5.07	73.84	4.76	69.32	4.45	64.80	4.15	60.28	3.85	57.26	3.66
	57.00	52.0	78.36	4.58	73.84	4.30	69.32	4.03	64.80	3.76	60.28	3.50	57.26	3.33
	62.00	56.0	78.36	4.24	73.84	3.99	69.32	3.74	64.80	3.49	60.28	3.25	57.26	3.10
	67.00	61.0	78.36	3.87	73.84	3.64	69.32	3.42	64.80	3.20	60.28	2.98	57.26	2.84
	72.00	66.0	78.36	3.54	73.84	3.33	69.32	3.13	64.80	2.93	60.28	2.74	57.26	2.61
	75.00	69.0	78.36	3.34	73.84	3.15	69.32	2.96	64.80	2.78	60.28	2.60	57.26	2.48
50	-3.00	-4.0	46.98	9.95	46.44	9.95	45.09	9.96	44.18	9.96	42.78	9.96	41.04	9.96
	2.00	1.0	49.97	9.75	49.18	9.75	47.14	9.75	45.78	9.75	43.88	9.75	41.99	9.76
	7.00	6.0	54.21	9.54	53.14	9.54	50.34	9.54	48.47	9.55	45.99	9.55	43.90	9.55
	12.00	10.0	58.63	9.38	57.26	9.38	53.62	9.38	51.21	9.33	48.11	8.57	45.81	8.07
	17.00	15.0	63.22	9.17	61.53	9.02	57.00	8.37	54.00	7.74	50.23	7.13	47.72	6.73
	22.00	20.0	65.30	8.18	61.53	7.63	57.77	7.10	54.00	6.58	50.23	6.07	47.72	5.74
	27.00	24.0	65.30	7.24	61.53	6.77	57.77	6.30	54.00	5.85	50.23	5.41	47.72	5.13
	32.00	29.0	65.30	6.31	61.53	5.90	57.77	5.51	54.00	5.13	50.23	4.75	47.72	4.51
	37.00	34.0	65.30	5.56	61.53	5.21	57.77	4.88	54.00	4.54	50.23	4.22	47.72	4.01
	42.00	38.0	65.30	5.07	61.53	4.76	57.77	4.45	54.00	4.15	50.23	3.86	47.72	3.67
	47.00	43.0	65.30	4.54	61.53	4.27	57.77	4.00	54.00	3.74	50.23	3.48	47.72	3.32
	52.00	47.0	65.30	4.18	61.53	3.94	57.77	3.69	54.00	3.46	50.23	3.22	47.72	3.07
	57.00	52.0	65.30	3.79	61.53	3.57	57.77	3.36	54.00	3.15	50.23	2.94	47.72	2.80
	62.00	56.0	65.30	3.52	61.53	3.32	57.77	3.12	54.00	2.93	50.23	2.74	47.72	2.61
	67.00	61.0	65.30	3.22	61.53	3.04	57.77	2.86	54.00	2.69	50.23	2.52	47.72	2.40
	72.00	66.0	65.30	2.96	61.53	2.79	57.77	2.63	54.00	2.48	50.23	2.32	47.72	2.22
75.00	69.0	65.30	2.80	61.53	2.65	57.77	2.50	54.00	2.35	50.23	2.20	47.72	2.11	

Table 67 - 38VMA120HDS5-1, 38VMA120HDS6-1

Connected Capacity Ratio	Outdoor air temp.		Indoor air temp. °F DB											
			61°F		64°F		67°F		70°F		73°F		75°F	
			Tc	PI	Tc	PI	Tc	PI	Tc	PI	Tc	PI	Tc	PI
°F DB	°F WB	MBH	kW	MBH	kW	MBH	kW	MBH	kW	MBH	kW	MBH	kW	
135	-3.00	-4.0	64.87	7.70	64.58	7.92	64.48	8.10	64.34	8.29	64.09	8.45	64.09	8.56
	2.00	1.0	70.06	8.31	69.76	8.48	69.52	8.63	69.26	8.77	69.19	8.87	69.05	8.96
	7.00	6.0	76.21	8.91	75.90	9.04	75.63	9.14	75.54	9.24	75.30	9.30	75.13	9.35
	12.00	10.0	81.18	9.55	80.87	9.62	80.57	9.67	80.47	9.69	80.26	9.73	80.06	9.74
	17.00	15.0	85.65	10.15	85.34	10.16	85.24	10.16	84.82	10.16	84.69	10.16	84.41	10.17
	22.00	20.0	93.74	10.09	93.43	10.10	93.32	10.10	92.90	10.10	92.75	10.10	92.47	10.10
	27.00	24.0	99.64	10.03	99.56	10.04	99.33	10.04	99.12	10.04	98.76	10.04	98.69	10.04
	32.00	29.0	106.87	9.97	106.68	9.98	106.50	9.98	106.19	9.98	105.94	9.98	105.77	9.98
	37.00	34.0	114.87	9.91	114.71	9.92	114.51	9.92	114.23	9.92	113.94	9.92	113.80	9.92
	42.00	38.0	133.37	9.85	133.23	9.86	133.00	9.86	129.67	9.86	129.33	9.86	129.21	9.86
	47.00	43.0	147.06	9.80	143.72	9.80	140.39	9.80	137.06	9.80	133.72	9.80	131.50	9.80
	52.00	47.0	152.97	9.74	149.63	9.74	146.30	9.74	142.97	9.74	139.63	9.74	137.41	9.74
	57.00	52.0	160.35	9.66	157.02	9.66	153.69	9.66	150.35	9.66	147.02	9.66	144.75	9.66
	62.00	56.0	166.26	9.60	162.93	9.60	159.60	9.60	156.26	9.60	152.37	9.55	144.75	8.98
	67.00	61.0	173.65	9.52	170.32	9.53	166.98	9.53	163.65	9.53	152.37	8.76	144.75	8.25
	72.00	66.0	181.04	9.45	177.71	9.45	174.37	9.45	163.80	8.80	152.37	8.08	144.75	7.62
75.00	69.0	185.47	9.40	182.14	9.40	178.80	9.40	163.89	8.36	152.37	7.68	144.75	7.25	
120	-3.00	-4.0	64.48	8.06	64.48	8.20	64.22	8.35	64.09	8.53	63.87	8.67	63.71	8.77
	2.00	1.0	69.66	8.57	69.50	8.70	69.19	8.80	69.05	8.96	68.80	9.05	68.66	9.13
	7.00	6.0	75.80	9.11	75.61	9.18	75.27	9.26	75.13	9.38	74.99	9.43	74.72	9.48
	12.00	10.0	80.77	9.66	80.55	9.68	80.39	9.71	80.06	9.78	79.92	9.80	79.64	9.82
	17.00	15.0	85.24	10.16	84.93	10.16	84.82	10.16	84.41	10.16	84.41	10.17	84.41	10.17
	22.00	20.0	93.32	10.10	93.00	10.10	92.90	10.10	92.47	10.10	92.47	10.11	92.47	10.11
	27.00	24.0	99.22	10.04	99.14	10.04	98.90	10.04	98.69	10.04	98.59	10.05	98.38	10.05
32.00	29.0	106.44	9.98	106.25	9.98	106.08	9.98	105.77	9.98	105.71	9.98	105.60	9.99	

Connected Capacity Ratio	Outdoor air temp.		Indoor air temp. °F DB											
			61°F		64°F		67°F		70°F		73°F		75°F	
			Tc	PI	Tc	PI	Tc	PI	Tc	PI	Tc	PI	Tc	PI
	°F DB	°F WB	MBH	kW	MBH	kW	MBH	kW	MBH	kW	MBH	kW	MBH	kW
110	37.00	34.0	114.44	9.92	114.28	9.92	114.08	9.92	114.01	9.92	117.01	9.92	116.86	9.92
	42.00	38.0	126.44	9.86	126.30	9.86	126.08	9.86	125.99	9.86	122.92	9.86	122.74	9.86
	47.00	43.0	142.61	9.80	139.53	9.80	136.46	9.80	133.38	9.80	130.30	9.80	128.25	9.80
	52.00	47.0	148.52	9.74	145.44	9.74	142.37	9.74	139.29	9.74	136.21	9.74	133.62	9.68
	57.00	52.0	155.91	9.66	152.83	9.66	149.76	9.66	146.68	9.66	140.65	9.34	133.62	8.79
	62.00	56.0	161.82	9.60	158.74	9.60	155.67	9.60	151.20	9.46	140.65	8.68	133.62	8.18
	67.00	61.0	169.21	9.53	166.13	9.53	161.75	9.40	151.20	8.68	140.65	7.98	133.62	7.53
	72.00	66.0	176.59	9.45	172.30	9.34	161.75	8.67	151.20	8.01	140.65	7.38	133.62	6.96
	75.00	69.0	181.03	9.40	176.00	9.23	161.75	8.23	151.20	7.61	140.65	7.01	133.62	6.63
	-3.00	-4.0	64.09	8.31	64.09	8.48	63.83	8.60	63.71	8.74	63.58	8.86	63.32	8.92
	2.00	1.0	69.26	8.78	69.11	8.90	68.93	9.00	68.66	9.10	68.59	9.20	68.47	9.24
	7.00	6.0	75.39	9.24	75.19	9.33	75.03	9.39	74.72	9.46	74.67	9.52	74.57	9.54
	12.00	10.0	80.35	9.70	80.13	9.76	79.98	9.79	79.94	9.80	79.61	9.85	79.53	9.84
	17.00	15.0	84.82	10.16	84.82	10.16	84.55	10.16	84.41	10.17	84.00	10.17	84.00	10.17
	22.00	20.0	92.90	10.10	92.58	10.10	92.47	10.10	92.47	10.11	92.05	10.11	92.05	10.05
	27.00	24.0	99.12	10.04	98.88	10.04	98.73	10.04	98.38	10.05	98.17	10.05	97.96	9.94
	32.00	29.0	106.19	9.98	106.06	9.98	105.85	9.98	105.60	9.98	105.34	9.99	105.34	9.82
	37.00	34.0	114.23	9.92	114.07	9.92	113.87	9.92	113.59	9.92	113.16	9.93	112.73	9.71
	42.00	38.0	123.01	9.86	122.81	9.86	122.63	9.86	122.32	9.86	119.50	9.86	116.39	9.59
	47.00	43.0	138.17	9.80	135.35	9.80	132.53	9.80	129.70	9.80	126.88	9.80	122.48	9.48
52.00	47.0	144.08	9.74	141.26	9.74	138.44	9.74	135.62	9.74	128.93	9.27	122.48	8.73	
57.00	52.0	151.46	9.66	148.64	9.66	145.82	9.67	138.60	9.17	128.93	8.43	122.48	7.95	
62.00	56.0	157.37	9.60	154.55	9.60	148.27	9.24	138.60	8.54	128.93	7.85	122.48	7.41	
67.00	61.0	164.76	9.53	157.94	9.14	148.27	8.48	138.60	7.85	128.93	7.23	122.48	6.83	
72.00	66.0	167.61	9.04	157.94	8.43	148.27	7.83	138.60	7.26	128.93	6.69	122.48	6.33	
75.00	69.0	169.32	8.74	157.94	8.00	148.27	7.44	138.60	6.90	128.93	6.37	122.48	6.02	
100	-3.00	-4.0	63.96	8.61	63.77	8.71	63.71	8.81	63.32	8.94	63.32	9.03	63.32	9.49
	2.00	1.0	68.87	9.01	68.71	9.08	68.66	9.14	68.47	9.26	68.26	9.32	68.26	9.79
	7.00	6.0	75.13	9.40	74.82	9.44	74.72	9.48	74.57	9.58	74.31	9.61	74.31	10.09
	12.00	10.0	80.06	9.79	79.97	9.80	79.74	9.82	79.53	9.88	79.43	9.89	79.23	10.39
	17.00	15.0	84.41	10.16	84.41	10.17	84.14	10.17	84.00	10.17	83.86	10.17	83.59	10.17
	22.00	20.0	92.47	10.10	92.47	10.11	92.19	10.11	92.05	10.11	91.91	9.98	91.62	9.89
	27.00	24.0	98.69	10.04	98.46	10.04	98.31	10.05	97.96	10.05	97.92	9.78	97.85	9.61
	32.00	29.0	105.77	9.98	105.64	9.98	105.43	9.99	105.34	9.99	104.41	9.58	102.89	9.32
	37.00	34.0	113.80	9.92	113.64	9.92	113.44	9.92	112.73	9.92	108.46	9.39	104.62	9.04
	42.00	38.0	124.88	9.86	124.68	9.86	122.74	9.86	118.64	9.86	112.05	9.19	107.66	8.76
	47.00	43.0	137.17	9.80	134.12	9.80	128.59	9.80	126.00	9.80	117.21	9.00	111.35	8.47
	52.00	47.0	143.92	9.74	137.07	9.74	134.50	9.74	126.00	9.03	117.21	8.30	111.35	7.82
	57.00	52.0	147.02	9.66	143.58	9.57	134.79	8.88	126.00	8.21	117.21	7.56	111.35	7.13
	62.00	56.0	152.37	9.55	143.58	8.90	134.79	8.26	126.00	7.65	117.21	7.05	111.35	6.66
	67.00	61.0	152.37	8.76	143.58	8.17	134.79	7.60	126.00	7.04	117.21	6.50	111.35	6.15
	72.00	66.0	152.37	8.08	143.58	7.55	134.79	7.03	126.00	6.52	117.21	6.03	111.35	5.71
	75.00	69.0	152.37	7.68	143.58	7.18	134.79	6.69	126.00	6.21	117.21	5.75	111.35	5.44
	-3.00	-4.0	63.07	9.47	62.78	9.59	62.68	9.69	62.68	9.84	62.30	9.94	62.30	10.43
	2.00	1.0	66.80	9.91	66.66	9.99	66.48	10.05	66.41	10.18	66.16	10.25	66.03	10.76
	7.00	6.0	71.98	10.29	71.87	10.29	71.67	10.30	71.58	10.30	71.35	10.30	71.19	10.30
12.00	10.0	76.74	10.24	76.66	10.24	76.44	10.24	76.35	10.24	76.14	10.25	75.95	10.25	
17.00	15.0	81.88	10.17	81.88	10.17	81.88	10.17	81.48	10.17	81.48	10.17	81.48	10.18	
22.00	20.0	86.00	10.11	86.00	10.11	85.74	10.04	85.60	9.92	86.06	9.81	84.52	9.73	
27.00	24.0	90.51	10.05	90.29	10.05	90.22	9.90	90.12	9.67	91.97	9.44	90.43	9.29	
32.00	29.0	104.44	9.98	104.31	9.99	103.71	9.77	101.67	9.41	99.36	9.07	97.82	8.84	
37.00	34.0	119.15	9.92	117.64	9.93	114.44	9.64	109.06	9.16	105.49	8.70	100.21	8.40	
42.00	38.0	130.20	9.86	125.30	9.86	119.62	9.50	113.40	8.91	105.49	8.33	100.21	7.96	
47.00	43.0	133.33	9.80	126.97	9.80	121.31	9.37	113.40	8.65	105.49	7.96	100.21	7.51	
52.00	47.0	135.19	9.74	129.22	9.30	121.31	8.63	113.40	7.99	105.49	7.36	100.21	6.95	
57.00	52.0	137.13	9.06	129.22	8.45	121.31	7.86	113.40	7.28	105.49	6.72	100.21	6.35	
62.00	56.0	137.13	8.43	129.22	7.87	121.31	7.33	113.40	6.80	105.49	6.28	100.21	5.94	
67.00	61.0	137.13	7.75	129.22	7.25	121.31	6.75	113.40	6.27	105.49	5.80	100.21	5.49	
72.00	66.0	137.13	7.17	129.22	6.71	121.31	6.26	113.40	5.82	105.49	5.39	100.21	5.11	
75.00	69.0	137.13	6.82	129.22	6.39	121.31	5.96	113.40	5.55	105.49	5.14	100.21	4.88	
80	-3.00	-4.0	62.44	10.42	62.15	10.54	62.06	10.65	62.06	10.82	61.93	10.93	61.67	10.44
	2.00	1.0	64.80	10.90	64.66	10.99	64.49	11.06	64.42	11.20	64.36	11.28	64.24	10.38
	7.00	6.0	69.10	10.30	68.99	10.30	68.80	10.30	68.72	10.30	68.67	10.31	68.58	10.31
	12.00	10.0	75.21	10.24	75.13	10.24	75.10	10.25	74.82	10.25	74.78	10.25	74.71	10.25
	17.00	15.0	81.06	10.17	80.76	10.17	80.67	10.17	80.67	10.18	79.47	10.18	79.44	10.18
	22.00	20.0	85.09	10.05	85.09	9.94	85.09	9.84	84.70	9.74	80.36	9.64	77.21	9.58
	27.00	24.0	97.53	9.92	96.98	9.71	94.91	9.50	90.61	9.30	88.55	9.11	85.08	8.98
	32.00	29.0	111.88	9.80	108.27	9.48	103.44	9.17	97.99	8.87	93.77	8.58	89.08	8.38
	37.00	34.0	117.60	9.67	112.00	9.25	106.40	8.84	100.80	8.43	93.77	8.04	89.08	7.79
	42.00	38.0	117.60	9.55	112.00	9.02	106.40	8.50	100.80	8.00	93.77	7.51	89.08	7.19

Connected Capacity Ratio	Outdoor air temp.		Indoor air temp. °F DB											
			61°F		64°F		67°F		70°F		73°F		75°F	
			Tc	PI	Tc	PI	Tc	PI	Tc	PI	Tc	PI	Tc	PI
	°F DB	°F WB	MBH	kW	MBH	kW	MBH	kW	MBH	kW	MBH	kW	MBH	kW
70	47.00	43.0	117.60	9.42	112.00	8.79	106.40	8.17	100.80	7.56	93.77	6.97	89.08	6.59
	52.00	47.0	117.60	8.68	112.00	8.11	106.40	7.54	100.80	6.99	93.77	6.46	89.08	6.11
	57.00	52.0	117.60	7.90	112.00	7.39	106.40	6.88	100.80	6.39	93.77	5.91	89.08	5.60
	62.00	56.0	117.60	7.37	112.00	6.89	106.40	6.43	100.80	5.98	93.77	5.54	89.08	5.25
	67.00	61.0	117.60	6.79	112.00	6.36	106.40	5.94	100.80	5.53	93.77	5.13	89.08	4.86
	72.00	66.0	117.60	6.29	112.00	5.90	106.40	5.52	100.80	5.14	93.77	4.77	89.08	4.53
	75.00	69.0	117.60	5.99	112.00	5.62	106.40	5.26	100.80	4.91	93.77	4.56	89.08	4.33
70	-3.00	-4.0	61.82	10.43	61.82	10.43	61.56	10.44	61.44	10.44	61.44	10.44	61.44	10.44
	2.00	1.0	64.15	10.37	64.15	10.37	64.03	10.37	63.78	10.38	63.52	10.38	63.62	10.38
	7.00	6.0	68.41	10.30	68.41	10.30	68.32	10.31	68.03	10.31	66.96	10.31	66.68	10.31
	12.00	10.0	75.31	10.25	75.31	10.25	75.24	10.25	74.07	10.25	70.55	10.25	69.96	10.25
	17.00	15.0	84.04	10.17	83.73	10.18	81.97	10.18	78.25	10.18	73.97	10.18	73.34	10.18
	22.00	20.0	92.59	9.82	89.38	9.74	85.45	9.65	81.02	9.57	79.23	9.49	77.94	9.44
	27.00	24.0	101.19	9.47	96.36	9.30	91.68	9.13	86.93	8.96	82.05	8.80	77.94	8.69
	32.00	29.0	102.67	9.12	97.77	8.86	93.02	8.60	88.20	8.35	82.05	8.11	77.94	7.95
	37.00	34.0	102.67	8.77	97.77	8.42	93.02	8.07	88.20	7.74	82.05	7.41	77.94	7.20
	42.00	38.0	102.67	8.42	97.77	7.98	93.02	7.55	88.20	7.13	82.05	6.72	77.94	6.46
	47.00	43.0	102.67	8.06	97.77	7.54	93.02	7.02	88.20	6.52	82.05	6.03	77.94	5.71
	52.00	47.0	102.67	7.45	97.77	6.97	93.02	6.50	88.20	6.05	82.05	5.60	77.94	5.31
	57.00	52.0	102.67	6.80	97.77	6.37	93.02	5.95	88.20	5.54	82.05	5.14	77.94	4.88
	62.00	56.0	102.67	6.35	97.77	5.96	93.02	5.57	88.20	5.19	82.05	4.82	77.94	4.58
67.00	61.0	102.67	5.87	97.77	5.51	93.02	5.16	88.20	4.82	82.05	4.48	77.94	4.26	
72.00	66.0	102.67	5.45	97.77	5.13	93.02	4.80	88.20	4.49	82.05	4.18	77.94	3.98	
75.00	69.0	102.67	5.20	97.77	4.89	93.02	4.59	88.20	4.29	82.05	4.00	77.94	3.81	
60	-3.00	-4.0	58.87	10.44	57.71	10.44	56.41	10.44	55.18	10.45	53.93	10.45	53.47	10.45
	2.00	1.0	63.86	10.38	62.08	10.38	60.19	10.38	58.36	10.38	56.44	10.38	55.73	10.39
	7.00	6.0	70.54	10.31	68.06	10.31	65.50	10.31	62.99	10.31	60.32	10.31	59.33	10.32
	12.00	10.0	77.55	10.25	74.32	10.25	71.05	10.25	67.79	10.26	64.31	10.26	63.02	10.26
	17.00	15.0	84.90	10.18	80.85	10.18	76.81	10.18	72.77	10.18	68.42	10.18	66.81	10.04
	22.00	20.0	87.19	9.61	83.04	9.54	78.88	9.47	75.60	9.41	70.33	9.34	66.81	9.18
	27.00	24.0	89.39	9.05	85.13	8.90	80.87	8.77	75.60	8.63	70.33	8.50	66.81	8.31
	32.00	29.0	89.39	8.48	85.13	8.27	80.87	8.06	75.60	7.86	70.33	7.66	66.81	7.45
	37.00	34.0	89.39	7.91	85.13	7.63	80.87	7.35	75.60	7.08	70.33	6.82	66.81	6.59
	42.00	38.0	89.39	7.35	85.13	6.99	80.87	6.65	75.60	6.31	70.33	5.97	66.81	5.73
	47.00	43.0	91.42	6.78	86.15	6.36	80.87	5.94	75.60	5.53	70.33	5.13	66.81	4.87
	52.00	47.0	91.42	6.28	86.15	5.90	80.87	5.51	75.60	5.14	70.33	4.78	66.81	4.54
	57.00	52.0	91.42	5.75	86.15	5.41	80.87	5.06	75.60	4.73	70.33	4.40	66.81	4.19
	62.00	56.0	91.42	5.39	86.15	5.07	80.87	4.75	75.60	4.44	70.33	4.14	66.81	3.94
67.00	61.0	91.42	4.99	86.15	4.70	80.87	4.41	75.60	4.13	70.33	3.85	66.81	3.67	
72.00	66.0	91.42	4.65	86.15	4.38	80.87	4.12	75.60	3.86	70.33	3.61	66.81	3.44	
75.00	69.0	91.42	4.45	86.15	4.19	80.87	3.95	75.60	3.70	70.33	3.46	66.81	3.30	
50	-3.00	-4.0	55.68	10.45	54.42	10.45	53.02	10.45	51.69	10.45	50.40	10.46	47.88	10.46
	2.00	1.0	59.49	10.38	57.56	10.38	55.52	10.39	53.53	10.39	51.57	10.39	48.99	10.39
	7.00	6.0	64.83	10.31	62.13	10.31	59.36	10.32	56.63	10.32	53.92	10.32	51.22	10.32
	12.00	10.0	70.39	10.25	66.88	10.26	63.32	10.26	59.79	10.26	56.26	10.26	53.45	9.93
	17.00	15.0	76.19	10.18	71.79	10.18	67.40	10.14	63.00	9.36	58.60	8.61	55.67	8.12
	22.00	20.0	76.19	9.41	71.79	9.36	67.40	9.27	63.00	8.57	58.60	7.89	55.67	7.44
	27.00	24.0	76.19	8.65	71.79	8.54	67.40	8.40	63.00	7.77	58.60	7.16	55.67	6.77
	32.00	29.0	76.19	7.88	71.79	7.71	67.40	7.53	63.00	6.98	58.60	6.44	55.67	6.09
	37.00	34.0	76.19	7.11	71.79	6.89	67.40	6.66	63.00	6.18	58.60	5.72	55.67	5.42
	42.00	38.0	76.19	6.34	71.79	6.06	67.40	5.78	63.00	5.39	58.60	5.00	55.67	4.74
	47.00	43.0	76.19	5.58	71.79	5.24	67.40	4.91	63.00	4.59	58.60	4.28	55.67	4.07
	52.00	47.0	76.19	5.18	71.79	4.88	67.40	4.58	63.00	4.28	58.60	4.00	55.67	3.81
	57.00	52.0	76.19	4.77	71.79	4.49	67.40	4.22	63.00	3.96	58.60	3.69	55.67	3.52
	62.00	56.0	76.19	4.48	71.79	4.22	67.40	3.97	63.00	3.73	58.60	3.49	55.67	3.33
67.00	61.0	76.19	4.16	71.79	3.93	67.40	3.70	63.00	3.48	58.60	3.26	55.67	3.11	
72.00	66.0	76.19	3.89	71.79	3.68	67.40	3.47	63.00	3.26	58.60	3.06	55.67	2.93	
75.00	69.0	76.19	3.73	71.79	3.53	67.40	3.33	63.00	3.13	58.60	2.94	55.67	2.81	

Table 68 - 38VMA144HDS5-1, 38VMA144HDS6-1

Connected Capacity Ratio	Outdoor air temp.		Indoor air temp. °F DB											
			61°F		64°F		67°F		70°F		73°F		75°F	
			Tc	PI	Tc	PI	Tc	PI	Tc	PI	Tc	PI	Tc	PI
	°F DB	°F WB	MBH	kW	MBH	kW	MBH	kW	MBH	kW	MBH	kW	MBH	kW
135	-3.00	-4.0	76.21	8.91	75.94	9.30	75.69	9.65	75.37	9.96	75.13	10.26	74.97	10.47
	2.00	1.0	82.13	9.91	81.98	10.20	81.56	10.46	81.26	10.69	81.00	10.93	80.63	11.09
	7.00	6.0	92.29	10.90	92.29	11.09	91.92	11.26	91.41	11.42	91.23	11.58	90.86	11.70
	12.00	10.0	104.17	11.89	104.17	11.99	103.72	12.08	103.22	12.16	103.00	12.25	102.55	12.32
	17.00	15.0	117.20	12.86	117.20	12.86	116.53	12.87	116.20	12.87	116.20	12.87	116.20	12.87
	22.00	20.0	125.93	12.68	125.93	12.68	125.93	12.68	124.91	12.68	124.91	12.69	124.91	12.69
	27.00	24.0	132.92	12.53	132.92	12.53	132.75	12.53	131.92	12.53	131.84	12.54	131.67	12.54
	32.00	29.0	141.70	12.34	141.70	12.34	141.03	12.34	140.70	12.35	140.50	12.35	140.10	12.35
	37.00	34.0	150.98	12.15	150.61	12.15	150.15	12.16	149.98	12.16	149.82	12.16	149.49	12.16
	42.00	38.0	175.10	12.00	174.78	12.00	174.24	12.01	169.89	12.01	169.54	12.01	168.83	12.01
	47.00	43.0	191.71	11.81	187.37	11.82	183.02	11.82	178.67	11.82	174.33	11.82	171.43	11.82
	52.00	47.0	198.74	11.66	194.39	11.66	190.05	11.67	185.70	11.67	181.35	11.67	178.46	11.67
	57.00	52.0	207.52	11.47	203.18	11.47	198.83	11.48	194.48	11.48	190.14	11.48	187.24	11.48
	62.00	56.0	214.55	11.32	210.20	11.32	205.86	11.32	201.51	11.33	197.17	11.33	188.71	10.79
	67.00	61.0	223.33	11.13	218.99	11.13	214.64	11.13	210.29	11.14	198.64	10.49	188.71	9.87
72.00	66.0	232.12	10.94	227.77	10.94	223.42	10.94	213.54	10.49	198.64	9.63	188.71	9.08	
75.00	69.0	237.39	10.83	233.04	10.83	228.69	10.83	215.49	10.10	198.64	9.12	188.71	8.60	
120	-3.00	-4.0	75.77	9.52	75.53	9.82	75.29	10.10	75.05	10.36	74.81	10.58	74.64	10.74
	2.00	1.0	81.46	10.37	81.34	10.59	81.22	10.80	81.10	11.00	80.55	11.16	80.47	11.28
	7.00	6.0	91.74	11.21	91.49	11.35	91.41	11.49	91.41	11.64	90.75	11.73	90.53	11.80
	12.00	10.0	103.49	12.05	103.29	12.12	103.22	12.20	103.22	12.27	102.46	12.32	102.28	12.38
	17.00	15.0	117.20	12.86	116.45	12.87	116.20	12.87	116.20	12.87	115.20	12.88	115.20	12.88
	22.00	20.0	125.93	12.68	125.16	12.68	124.91	12.68	124.91	12.69	124.57	12.69	123.90	12.69
	27.00	24.0	132.67	12.53	132.11	12.53	131.92	12.53	131.92	12.54	131.42	12.54	130.92	12.54
	32.00	29.0	141.10	12.34	140.80	12.35	140.70	12.35	140.70	12.35	139.71	12.35	139.71	12.35
	37.00	34.0	150.48	12.16	150.11	12.16	149.98	12.16	149.49	12.16	154.06	12.16	154.06	12.16
	42.00	38.0	165.51	12.00	165.51	12.01	165.51	12.01	165.10	12.01	161.09	12.01	161.09	12.01
	47.00	43.0	185.92	11.82	181.91	11.82	177.89	11.82	173.88	11.82	169.87	11.82	167.20	11.82
	52.00	47.0	192.94	11.66	188.93	11.67	184.92	11.67	180.91	11.67	176.90	11.67	174.20	11.67
	57.00	52.0	201.73	11.48	197.72	11.48	193.70	11.48	189.69	11.48	183.36	11.24	174.20	10.58
	62.00	56.0	208.75	11.32	204.74	11.32	200.73	11.33	196.72	11.33	183.36	10.43	174.20	9.83
	67.00	61.0	217.54	11.13	213.53	11.13	209.51	11.14	197.12	10.39	183.36	9.55	174.20	9.00
72.00	66.0	226.32	10.94	222.31	10.94	210.87	10.33	197.12	9.55	183.36	8.79	174.20	8.29	
75.00	69.0	231.59	10.83	227.58	10.83	211.68	9.85	197.12	9.04	183.36	8.33	174.20	7.86	
110	-3.00	-4.0	75.37	10.03	75.13	10.27	74.89	10.48	74.64	10.73	74.40	10.87	74.24	10.98
	2.00	1.0	81.26	10.75	81.14	10.93	80.74	11.08	80.47	11.29	80.36	11.37	80.28	11.43
	7.00	6.0	91.41	11.46	91.41	11.58	91.04	11.67	90.53	11.83	90.53	11.84	90.53	11.87
	12.00	10.0	103.22	12.18	103.22	12.24	102.77	12.26	102.28	12.39	102.28	12.40	102.28	12.41
	17.00	15.0	116.20	12.87	116.20	12.87	115.53	12.87	115.20	12.88	115.20	12.88	115.20	12.88
	22.00	20.0	124.91	12.68	124.91	12.69	124.91	12.69	123.90	12.69	123.90	12.69	123.90	12.69
	27.00	24.0	131.92	12.53	131.92	12.54	131.76	12.54	130.92	12.54	130.92	12.54	130.92	12.54
	32.00	29.0	140.70	12.35	140.70	12.35	140.04	12.35	139.71	12.35	139.71	12.35	139.71	12.36
	37.00	34.0	149.98	12.16	149.61	12.16	149.15	12.16	148.99	12.16	148.82	12.16	148.49	12.17
	42.00	38.0	161.31	12.01	161.01	12.01	160.51	12.01	160.31	12.01	156.63	12.01	155.97	12.01
	47.00	43.0	180.12	11.82	176.45	11.82	172.77	11.82	169.09	11.82	165.41	11.82	159.68	11.43
	52.00	47.0	187.15	11.67	183.47	11.67	179.79	11.67	176.12	11.67	168.08	11.18	159.68	10.53
	57.00	52.0	195.93	11.48	192.26	11.48	188.58	11.48	180.69	11.05	168.08	10.15	159.68	9.56
	62.00	56.0	202.96	11.33	199.28	11.33	193.30	11.10	180.69	10.25	168.08	9.43	159.68	8.89
	67.00	61.0	211.74	11.14	205.90	10.94	193.30	10.16	180.69	9.39	168.08	8.65	159.68	8.16
72.00	66.0	218.51	10.78	205.90	10.05	193.30	9.33	180.69	8.64	168.08	7.96	159.68	7.53	
75.00	69.0	222.57	10.56	205.90	9.51	193.30	8.84	180.69	8.19	168.08	7.56	159.68	7.14	
100	-3.00	-4.0	74.89	10.49	74.71	10.65	74.48	10.85	74.24	10.96	74.08	11.16	73.92	11.72
	2.00	1.0	80.59	11.10	80.50	11.22	80.39	11.39	80.28	11.42	79.77	11.60	79.69	12.18
	7.00	6.0	90.86	11.71	90.61	11.77	90.53	11.90	90.53	11.87	89.86	12.05	89.64	12.65
	12.00	10.0	102.55	12.31	102.35	12.30	102.28	12.38	102.28	12.33	101.52	12.49	101.34	13.12
	17.00	15.0	116.20	12.87	115.45	12.88	115.20	12.88	108.80	12.60	114.86	12.88	114.20	12.88
	22.00	20.0	124.91	12.69	124.15	12.69	123.90	12.69	123.90	12.60	123.90	12.70	123.90	12.70
	27.00	24.0	131.67	12.54	131.11	12.54	130.92	12.54	130.92	12.61	130.67	12.54	130.67	12.55
	32.00	29.0	140.10	12.35	139.81	12.35	139.71	12.35	139.71	12.61	138.97	12.36	138.71	12.36
	37.00	34.0	149.49	12.16	149.11	12.16	148.99	12.16	148.49	12.61	147.33	12.17	145.00	12.17
	42.00	38.0	156.50	12.01	156.50	12.01	156.50	12.01	155.52	12.61	149.43	12.02	144.32	11.38
	47.00	43.0	169.96	11.82	169.22	11.82	167.64	11.82	160.00	12.61	152.80	10.85	145.16	10.22
	52.00	47.0	182.99	11.67	178.01	11.67	174.67	11.67	160.00	10.88	152.80	10.00	145.16	9.43
	57.00	52.0	190.14	11.48	186.80	11.48	175.72	10.69	160.00	9.88	152.80	9.09	145.16	8.58
	62.00	56.0	197.17	11.33	187.18	10.69	175.72	9.93	160.00	9.18	152.80	8.46	145.16	7.99
	67.00	61.0	198.64	10.49	187.18	9.78	175.72	9.09	160.00	8.42	152.80	7.77	145.16	7.35
72.00	66.0	198.64	9.63	187.18	8.99	175.72	8.37	160.00	7.76	152.80	7.17	145.16	6.79	
75.00	69.0	198.64	9.12	187.18	8.52	175.72	7.94	160.00	7.37	152.80	6.81	145.16	6.45	

Connected Capacity Ratio	Outdoor air temp.		Indoor air temp. °F DB											
			61°F		64°F		67°F		70°F		73°F		75°F	
			Tc	PI	Tc	PI	Tc	PI	Tc	PI	Tc	PI	Tc	PI
	°F DB	°F WB	MBH	kW	MBH	kW	MBH	kW	MBH	kW	MBH	kW	MBH	kW
90	-3.00	-4.0	74.06	11.54	73.88	11.72	73.66	11.94	73.50	12.06	73.28	12.28	73.18	12.89
	2.00	1.0	80.18	12.21	79.77	12.34	79.55	12.52	79.47	12.56	79.33	12.76	79.19	13.40
	7.00	6.0	90.50	13.21	90.09	13.21	89.95	13.21	89.62	13.22	89.57	13.22	89.46	13.22
	12.00	10.0	101.17	13.06	101.17	13.06	100.72	13.07	100.24	13.07	100.24	13.07	100.24	13.07
	17.00	15.0	111.56	12.88	111.56	12.88	110.91	12.88	110.59	12.88	110.59	12.89	110.59	12.89
	22.00	20.0	115.22	12.69	115.22	12.69	115.22	12.69	115.22	12.70	116.10	12.70	114.09	12.70
	27.00	24.0	120.68	12.54	120.68	12.54	120.53	12.54	120.45	12.55	123.12	12.55	121.12	12.55
	32.00	29.0	135.88	12.35	135.88	12.35	135.24	12.36	134.91	12.36	131.91	12.36	129.90	12.36
	37.00	34.0	148.16	12.16	147.79	12.16	146.67	12.17	143.70	12.17	137.52	11.71	130.65	11.03
	42.00	38.0	161.41	12.01	159.28	12.01	154.79	12.01	147.84	11.63	137.52	10.68	130.65	10.07
	47.00	43.0	173.97	11.82	165.52	11.82	158.15	11.30	147.84	10.44	137.52	9.60	130.65	9.06
	52.00	47.0	175.56	11.67	168.47	11.21	158.15	10.41	147.84	9.63	137.52	8.87	130.65	8.38
	57.00	52.0	178.78	10.91	168.47	10.17	158.15	9.46	147.84	8.76	137.52	8.08	130.65	7.64
	62.00	56.0	178.78	10.13	168.47	9.45	158.15	8.80	147.84	8.16	137.52	7.53	130.65	7.13
	67.00	61.0	178.78	9.28	168.47	8.67	158.15	8.07	147.84	7.50	137.52	6.93	130.65	6.56
	72.00	66.0	178.78	8.54	168.47	7.98	158.15	7.45	147.84	6.92	137.52	6.41	130.65	6.07
75.00	69.0	178.78	8.09	168.47	7.58	158.15	7.07	147.84	6.57	137.52	6.09	130.65	5.78	
80	-3.00	-4.0	73.24	12.69	73.12	12.89	72.98	13.13	72.76	13.27	72.63	13.51	72.52	14.18
	2.00	1.0	79.08	13.43	79.03	13.57	78.90	13.78	78.68	13.82	78.54	14.04	78.43	14.74
	7.00	6.0	88.37	13.21	88.13	13.22	87.97	13.22	87.83	13.22	87.74	13.22	87.67	13.23
	12.00	10.0	97.49	13.07	97.29	13.07	97.23	13.07	97.23	13.07	97.01	13.08	98.51	13.08
	17.00	15.0	106.17	12.88	106.17	12.88	106.17	12.89	106.17	12.89	105.86	12.89	107.34	12.89
	22.00	20.0	113.85	12.69	113.15	12.70	112.92	12.70	112.92	12.70	111.99	12.70	110.12	12.70
	27.00	24.0	123.46	12.54	122.93	12.55	122.44	12.55	121.34	12.55	118.66	12.55	114.15	12.42
	32.00	29.0	139.33	12.36	138.73	12.36	135.59	12.36	130.12	12.36	122.24	11.53	116.13	10.86
	37.00	34.0	149.10	12.17	144.93	12.17	138.15	12.02	131.41	11.10	122.24	10.21	116.13	9.63
	42.00	38.0	152.64	12.01	145.82	11.81	138.15	10.96	131.41	10.14	122.24	9.33	116.13	8.81
	47.00	43.0	152.64	11.36	145.82	10.60	138.15	9.85	131.41	9.12	122.24	8.41	116.13	7.95
	52.00	47.0	152.64	10.47	145.82	9.77	138.15	9.09	131.41	8.43	122.24	7.78	116.13	7.36
	57.00	52.0	152.64	9.51	145.82	8.89	138.15	8.28	131.41	7.69	122.24	7.11	116.13	6.73
	62.00	56.0	152.64	8.84	145.82	8.27	138.15	7.72	131.41	7.17	122.24	6.64	116.13	6.29
	67.00	61.0	152.64	8.12	145.82	7.60	138.15	7.10	131.41	6.60	122.24	6.12	116.13	5.81
	72.00	66.0	152.64	7.49	145.82	7.02	138.15	6.56	131.41	6.11	122.24	5.67	116.13	5.38
75.00	69.0	152.64	7.11	145.82	6.67	138.15	6.23	131.41	5.81	122.24	5.40	116.13	5.13	
70	-3.00	-4.0	72.48	13.96	72.33	14.18	72.20	14.45	72.04	14.59	71.88	14.86	71.77	13.60
	2.00	1.0	78.30	14.78	78.18	14.93	78.03	15.15	77.89	15.20	78.49	15.44	79.17	13.42
	7.00	6.0	84.89	13.22	84.81	13.22	84.72	13.22	84.32	13.23	85.07	13.23	85.00	13.23
	12.00	10.0	94.22	13.07	94.22	13.07	93.80	13.08	93.34	13.08	92.30	13.08	90.21	13.08
	17.00	15.0	104.96	12.89	104.96	12.89	104.35	12.89	104.04	12.89	98.52	12.89	94.84	12.89
	22.00	20.0	118.49	12.70	118.49	12.70	116.54	12.70	110.66	12.70	106.96	12.66	101.61	11.91
	27.00	24.0	131.27	12.55	127.45	12.55	122.11	12.55	114.98	12.27	106.96	11.27	101.61	10.62
	32.00	29.0	134.32	12.36	128.21	12.36	122.11	11.62	114.98	10.74	106.96	9.88	101.61	9.32
	37.00	34.0	134.32	11.87	128.21	11.06	122.11	10.28	114.98	9.52	106.96	8.78	101.61	8.29
	42.00	38.0	134.32	10.82	128.21	10.10	122.11	9.40	114.98	8.71	106.96	8.05	101.61	7.61
	47.00	43.0	134.32	9.73	128.21	9.09	122.11	8.47	114.98	7.86	106.96	7.27	101.61	6.89
	52.00	47.0	134.32	8.98	128.21	8.40	122.11	7.84	114.98	7.29	106.96	6.75	101.61	6.39
	57.00	52.0	134.32	8.18	128.21	7.66	122.11	7.16	114.98	6.66	106.96	6.18	101.61	5.86
	62.00	56.0	134.32	7.62	128.21	7.15	122.11	6.68	114.98	6.23	106.96	5.78	101.61	5.49
	67.00	61.0	134.32	7.01	128.21	6.58	122.11	6.16	114.98	5.75	106.96	5.34	101.61	5.08
	72.00	66.0	134.32	6.48	128.21	6.09	122.11	5.70	114.98	5.33	106.96	4.96	101.61	4.72
75.00	69.0	134.32	6.16	128.21	5.79	122.11	5.43	114.98	5.08	106.96	4.73	101.61	4.50	
60	-3.00	-4.0	72.47	13.59	70.89	13.59	69.38	13.60	67.74	13.60	66.43	13.60	65.06	13.60
	2.00	1.0	80.15	13.41	77.80	13.41	75.54	13.41	73.10	13.42	71.15	13.42	69.09	13.42
	7.00	6.0	90.07	13.23	86.84	13.23	83.73	13.23	80.37	13.23	77.71	13.23	74.86	13.23
	12.00	10.0	100.53	13.08	96.36	13.08	92.33	13.08	87.99	13.08	84.55	13.08	80.87	13.09
	17.00	15.0	111.54	12.89	106.36	12.89	101.34	12.89	95.95	12.89	91.68	12.38	87.10	11.66
	22.00	20.0	116.05	12.70	110.66	12.70	105.43	12.44	98.56	11.49	91.68	10.57	87.10	9.97
	27.00	24.0	116.05	12.55	110.66	11.93	105.43	11.08	98.56	10.25	91.68	9.44	87.10	8.92
	32.00	29.0	116.05	11.19	110.66	10.45	105.43	9.72	98.56	9.01	91.68	8.32	87.10	7.87
	37.00	34.0	116.05	9.92	110.66	9.27	105.43	8.64	98.56	8.02	91.68	7.42	87.10	7.03
	42.00	38.0	116.05	9.07	110.66	8.49	105.43	7.92	98.56	7.36	91.68	6.82	87.10	6.47
	47.00	43.0	119.19	8.18	112.31	7.67	105.43	7.16	98.56	6.67	91.68	6.19	87.10	5.87
	52.00	47.0	119.19	7.57	112.31	7.10	105.43	6.65	98.56	6.20	91.68	5.76	87.10	5.47
	57.00	52.0	119.19	6.92	112.31	6.50	105.43	6.09	98.56	5.68	91.68	5.29	87.10	5.03
	62.00	56.0	119.19	6.46	112.31	6.08	105.43	5.70	98.56	5.32	91.68	4.96	87.10	4.72
	67.00	61.0	119.19	5.96	112.31	5.61	105.43	5.27	98.56	4.93	91.68	4.59	87.10	4.38
	72.00	66.0	119.19	5.52	112.31	5.20	105.43	4.89	98.56	4.58	91.68	4.28	87.10	4.08
75.00	69.0	119.19	5.26	112.31	4.96	105.43	4.66	98.56	4.37	91.68	4.08	87.10	3.90	
50	-3.00	-4.0	68.15	13.60	66.42	13.60	64.71	13.60	62.98	13.61	61.25	13.61	60.10	13.61
	2.00	1.0	74.15	13.42	71.57	13.42	68.99	13.42	66.40	13.42	63.81	13.42	62.09	13.43

Connected Capacity Ratio	Outdoor air temp.		Indoor air temp. °F DB											
			61°F		64°F		67°F		70°F		73°F		75°F	
			Tc	PI	Tc	PI	Tc	PI	Tc	PI	Tc	PI	Tc	PI
	°F DB	°F WB	MBH	kW	MBH	kW	MBH	kW	MBH	kW	MBH	kW	MBH	kW
	7.00	6.0	82.14	13.23	78.58	13.23	75.03	13.23	71.47	13.24	67.91	13.24	65.53	13.24
	12.00	10.0	90.53	13.08	85.92	13.08	81.32	13.08	76.71	13.02	72.10	11.95	69.03	11.26
	17.00	15.0	99.32	12.89	93.59	12.69	87.86	11.78	82.13	10.89	76.40	10.02	72.58	9.46
	22.00	20.0	99.32	11.60	93.59	10.82	87.86	10.07	82.13	9.33	76.40	8.61	72.58	8.15
	27.00	24.0	99.32	10.34	93.59	9.67	87.86	9.01	82.13	8.36	76.40	7.73	72.58	7.32
	32.00	29.0	99.32	9.09	93.59	8.51	87.86	7.94	82.13	7.39	76.40	6.85	72.58	6.49
	37.00	34.0	99.32	8.09	93.59	7.59	87.86	7.09	82.13	6.61	76.40	6.14	72.58	5.83
	42.00	38.0	99.32	7.43	93.59	6.97	87.86	6.53	82.13	6.09	76.40	5.66	72.58	5.38
	47.00	43.0	99.32	6.72	93.59	6.32	87.86	5.93	82.13	5.54	76.40	5.16	72.58	4.91
	52.00	47.0	99.32	6.24	93.59	5.88	87.86	5.52	82.13	5.16	76.40	4.81	72.58	4.58
	57.00	52.0	99.32	5.73	93.59	5.40	87.86	5.07	82.13	4.75	76.40	4.44	72.58	4.23
	62.00	56.0	99.32	5.36	93.59	5.06	87.86	4.76	82.13	4.46	76.40	4.17	72.58	3.98
	67.00	61.0	99.32	4.96	93.59	4.69	87.86	4.41	82.13	4.14	76.40	3.88	72.58	3.70
	72.00	66.0	99.32	4.61	93.59	4.36	87.86	4.11	82.13	3.86	76.40	3.62	72.58	3.46
	75.00	69.0	99.32	4.40	93.59	4.16	87.86	3.93	82.13	3.69	76.40	3.47	72.58	3.31

b. Double Units

Table 69 - 38VMA168HDS5-1, 38VMA168HDS6-1

Connected Capacity Ratio	Outdoor air temp.		Indoor air temp. °F DB											
			61°F		64°F		67°F		70°F		73°F		75°F	
			Tc	PI	Tc	PI	Tc	PI	Tc	PI	Tc	PI	Tc	PI
	°F DB	°F WB	MBH	kW	MBH	kW	MBH	kW	MBH	kW	MBH	kW	MBH	kW
135	-3.00	-4.0	96.79	10.92	96.36	11.23	96.21	11.48	96.01	11.76	95.63	11.98	95.63	12.14
	2.00	1.0	104.53	11.79	104.09	12.02	103.73	12.24	103.34	12.44	103.24	12.59	103.03	12.70
	7.00	6.0	113.71	12.64	113.25	12.82	112.84	12.97	112.71	13.10	112.35	13.19	112.10	13.26
	12.00	10.0	121.13	13.54	120.66	13.64	120.22	13.71	120.07	13.75	119.75	13.80	119.45	13.81
	17.00	15.0	127.79	14.40	127.33	14.40	127.18	14.41	126.56	14.41	126.36	14.42	125.95	14.42
	22.00	20.0	139.87	14.32	139.40	14.32	139.24	14.32	138.61	14.33	138.39	14.33	137.97	14.33
	27.00	24.0	148.67	14.23	148.55	14.23	148.20	14.24	147.89	14.24	147.36	14.24	147.26	14.25
	32.00	29.0	159.45	14.15	159.17	14.15	158.91	14.15	158.44	14.16	158.06	14.16	157.81	14.16
	37.00	34.0	171.39	14.06	171.15	14.06	170.86	14.07	170.43	14.07	170.01	14.07	169.80	14.07
	42.00	38.0	199.00	13.98	198.79	13.98	198.45	13.98	193.47	13.98	192.98	13.99	192.79	13.99
	47.00	43.0	219.42	13.89	214.44	13.89	209.47	13.90	204.50	13.90	199.52	13.90	196.21	13.90
	52.00	47.0	228.24	13.81	223.26	13.81	218.29	13.81	213.31	13.81	208.34	13.82	205.02	13.82
	57.00	52.0	239.26	13.70	234.28	13.70	229.31	13.70	224.34	13.71	219.36	13.71	215.98	13.70
	62.00	56.0	248.08	13.62	243.10	13.62	238.13	13.62	233.16	13.62	227.35	13.54	215.98	12.74
	67.00	61.0	259.10	13.51	254.13	13.51	249.15	13.51	244.18	13.51	227.35	12.42	215.98	11.70
72.00	66.0	270.12	13.40	265.15	13.40	260.17	13.40	244.40	12.48	227.35	11.47	215.98	10.81	
75.00	69.0	276.74	13.34	271.76	13.34	266.79	13.34	244.53	11.85	227.35	10.89	215.98	10.28	
120	-3.00	-4.0	96.21	11.44	96.21	11.63	95.83	11.84	95.63	12.10	95.30	12.30	95.05	12.43
	2.00	1.0	103.94	12.16	103.70	12.33	103.23	12.49	103.03	12.71	102.65	12.84	102.44	12.94
	7.00	6.0	113.10	12.92	112.81	13.01	112.30	13.13	112.10	13.31	111.90	13.37	111.49	13.44
	12.00	10.0	120.51	13.70	120.18	13.73	119.95	13.77	119.45	13.87	119.25	13.90	118.84	13.93
	17.00	15.0	127.18	14.41	126.72	14.41	126.56	14.41	125.95	14.42	125.95	14.42	125.95	14.42
	22.00	20.0	139.24	14.32	138.76	14.32	138.61	14.33	137.97	14.33	137.97	14.33	137.97	14.34
	27.00	24.0	148.04	14.24	147.93	14.24	147.57	14.24	147.26	14.24	147.10	14.25	146.79	14.25
	32.00	29.0	158.82	14.15	158.54	14.15	158.27	14.16	157.81	14.16	157.73	14.16	157.56	14.16
	37.00	34.0	170.75	14.07	170.51	14.07	170.22	14.07	170.11	14.07	174.58	14.08	174.36	14.08
	42.00	38.0	188.65	13.98	188.45	13.98	188.12	13.98	187.99	13.99	183.40	13.99	183.14	13.99
	47.00	43.0	212.79	13.90	208.19	13.90	203.60	13.90	199.01	13.90	194.42	13.90	191.36	13.90
	52.00	47.0	221.60	13.81	217.01	13.81	212.42	13.81	207.83	13.82	203.24	13.82	199.37	13.72
	57.00	52.0	232.63	13.70	228.04	13.71	223.44	13.71	218.85	13.71	209.86	13.24	199.37	12.46
	62.00	56.0	241.44	13.62	236.85	13.62	232.26	13.62	225.60	13.41	209.86	12.32	199.37	11.60
	67.00	61.0	252.47	13.51	247.88	13.51	241.34	13.33	225.60	12.31	209.86	11.32	199.37	10.67
72.00	66.0	263.49	13.40	257.08	13.25	241.34	12.29	225.60	11.36	209.86	10.46	199.37	9.88	
75.00	69.0	270.10	13.34	262.60	13.09	241.34	11.67	225.60	10.80	209.86	9.95	199.37	9.40	
110	-3.00	-4.0	95.63	11.78	95.63	12.02	95.25	12.20	95.05	12.40	94.86	12.57	94.47	12.65
	2.00	1.0	103.34	12.46	103.11	12.62	102.85	12.76	102.44	12.90	102.35	13.06	102.16	13.11
	7.00	6.0	112.48	13.11	112.20	13.23	111.95	13.32	111.49	13.41	111.41	13.51	111.26	13.53
	12.00	10.0	119.89	13.75	119.56	13.84	119.33	13.89	119.28	13.91	118.78	13.97	118.66	13.95
	17.00	15.0	126.56	14.41	126.56	14.41	126.15	14.42	125.95	14.42	125.33	14.42	125.33	14.43
	22.00	20.0	138.61	14.33	138.13	14.33	137.97	14.33	137.97	14.33	137.34	14.34	137.34	14.26
	27.00	24.0	147.89	14.24	147.53	14.24	147.31	14.25	146.79	14.25	146.47	14.25	146.16	14.10
	32.00	29.0	158.44	14.15	158.25	14.16	157.94	14.16	157.56	14.16	157.18	14.16	157.18	13.93
37.00	34.0	170.43	14.07	170.19	14.07	169.90	14.07	169.48	14.08	168.84	14.08	168.20	13.77	

Connected Capacity Ratio	Outdoor air temp.		Indoor air temp. °F DB											
			61 °F		64 °F		67 °F		70 °F		73 °F		75 °F	
			Tc	PI	Tc	PI	Tc	PI	Tc	PI	Tc	PI	Tc	PI
	°F DB	°F WB	MBH	kW	MBH	kW	MBH	kW	MBH	kW	MBH	kW	MBH	kW
100	42.00	38.0	183.53	13.98	183.25	13.99	182.98	13.99	182.51	13.99	178.30	13.99	173.67	13.60
	47.00	43.0	206.15	13.90	201.95	13.90	197.74	13.90	193.53	13.90	189.32	13.90	182.75	13.44
	52.00	47.0	214.97	13.81	210.76	13.81	206.55	13.82	202.35	13.82	192.37	13.15	182.75	12.38
	57.00	52.0	225.99	13.71	221.79	13.71	217.58	13.71	206.80	13.01	192.37	11.96	182.75	11.27
	62.00	56.0	234.81	13.62	230.60	13.62	221.23	13.11	206.80	12.11	192.37	11.14	182.75	10.51
	67.00	61.0	245.84	13.51	235.66	12.96	221.23	12.03	206.80	11.13	192.37	10.25	182.75	9.68
	72.00	66.0	250.08	12.82	235.66	11.95	221.23	11.11	206.80	10.29	192.37	9.49	182.75	8.97
	75.00	69.0	252.63	12.40	235.66	11.35	221.23	10.56	206.80	9.79	192.37	9.04	182.75	8.55
	-3.00	-4.0	95.43	12.21	95.15	12.36	95.05	12.49	94.47	12.68	94.47	12.81	94.47	13.45
	2.00	1.0	102.75	12.78	102.52	12.88	102.44	12.96	102.16	13.13	101.85	13.22	101.85	13.88
	7.00	6.0	112.10	13.33	111.64	13.39	111.49	13.45	111.26	13.59	110.87	13.63	110.87	14.31
	12.00	10.0	119.45	13.88	119.32	13.90	118.98	13.93	118.66	14.01	118.51	14.03	118.22	14.74
	17.00	15.0	125.95	14.42	125.95	14.42	125.54	14.42	125.33	14.42	125.13	14.43	124.72	14.43
	22.00	20.0	137.97	14.33	137.97	14.33	137.55	14.34	137.34	14.34	137.13	14.15	136.71	14.03
	27.00	24.0	147.26	14.24	146.90	14.25	146.68	14.25	146.16	14.25	146.11	13.87	146.00	13.63
32.00	29.0	157.81	14.16	157.62	14.16	157.31	14.16	157.18	14.16	155.79	13.59	153.52	13.22	
37.00	34.0	169.80	14.07	169.56	14.07	169.27	14.08	168.20	14.07	161.83	13.32	156.10	12.82	
42.00	38.0	186.33	13.99	186.04	13.99	183.14	13.99	177.02	13.99	167.19	13.04	160.63	12.42	
47.00	43.0	204.66	13.90	200.12	13.90	191.87	13.90	188.00	13.90	174.88	12.76	166.14	12.02	
52.00	47.0	214.74	13.82	204.51	13.82	200.69	13.82	188.00	12.80	174.88	11.77	166.14	11.10	
57.00	52.0	219.36	13.71	214.23	13.57	201.12	12.59	188.00	11.64	174.88	10.72	166.14	10.12	
62.00	56.0	227.35	13.54	214.23	12.62	201.12	11.72	188.00	10.85	174.88	10.00	166.14	9.45	
67.00	61.0	227.35	12.42	214.23	11.59	201.12	10.78	188.00	9.99	174.88	9.22	166.14	8.72	
72.00	66.0	227.35	11.47	214.23	10.71	201.12	9.97	188.00	9.25	174.88	8.55	166.14	8.10	
75.00	69.0	227.35	10.89	214.23	10.18	201.12	9.49	188.00	8.81	174.88	8.15	166.14	7.72	
90	-3.00	-4.0	94.10	13.43	93.67	13.60	93.53	13.74	93.53	13.95	92.95	14.09	92.95	14.80
	2.00	1.0	99.67	14.06	99.46	14.17	99.19	14.26	99.09	14.45	98.72	14.54	98.52	15.27
	7.00	6.0	107.40	14.60	107.23	14.60	106.93	14.61	106.81	14.61	106.46	14.61	106.22	14.62
	12.00	10.0	114.51	14.52	114.38	14.52	114.05	14.53	113.91	14.53	113.60	14.53	113.32	14.54
	17.00	15.0	122.17	14.42	122.17	14.42	122.17	14.43	121.57	14.43	121.57	14.43	121.57	14.43
	22.00	20.0	128.32	14.33	128.32	14.34	127.92	14.24	127.73	14.07	128.41	13.91	126.12	13.80
	27.00	24.0	135.04	14.25	134.72	14.25	134.61	14.05	134.47	13.71	137.23	13.39	134.93	13.17
	32.00	29.0	155.83	14.16	155.64	14.16	154.74	13.86	151.70	13.35	148.25	12.86	145.96	12.54
	37.00	34.0	177.79	14.08	175.53	14.08	170.75	13.67	162.72	12.99	157.40	12.34	149.53	11.91
	42.00	38.0	194.27	13.99	186.96	13.99	178.48	13.48	169.20	12.63	157.40	11.82	149.53	11.28
	47.00	43.0	198.94	13.90	189.45	13.90	181.00	13.29	169.20	12.28	157.40	11.29	149.53	10.65
	52.00	47.0	201.71	13.82	192.81	13.19	181.00	12.25	169.20	11.33	157.40	10.44	149.53	9.86
	57.00	52.0	204.61	12.85	192.81	11.99	181.00	11.15	169.20	10.33	157.40	9.53	149.53	9.01
	62.00	56.0	204.61	11.96	192.81	11.17	181.00	10.39	169.20	9.64	157.40	8.90	149.53	8.43
	67.00	61.0	204.61	11.00	192.81	10.28	181.00	9.58	169.20	8.90	157.40	8.23	149.53	7.79
72.00	66.0	204.61	10.17	192.81	9.52	181.00	8.88	169.20	8.25	157.40	7.65	149.53	7.25	
75.00	69.0	204.61	9.67	192.81	9.06	181.00	8.46	169.20	7.87	157.40	7.30	149.53	6.92	
80	-3.00	-4.0	93.16	14.78	92.74	14.96	92.59	15.11	92.59	15.35	92.40	15.50	92.02	14.81
	2.00	1.0	96.68	15.46	96.48	15.58	96.22	15.68	96.12	15.89	96.03	16.00	95.85	14.72
	7.00	6.0	103.10	14.61	102.94	14.61	102.65	14.61	102.53	14.62	102.46	14.62	102.32	14.62
	12.00	10.0	112.22	14.53	112.09	14.53	112.05	14.53	111.63	14.54	111.58	14.54	111.47	14.54
	17.00	15.0	120.95	14.43	120.51	14.43	120.36	14.43	120.36	14.43	118.58	14.44	118.53	14.44
	22.00	20.0	126.96	14.25	126.96	14.10	126.96	13.96	126.37	13.82	119.91	13.68	115.20	13.59
	27.00	24.0	145.52	14.07	144.70	13.77	141.61	13.48	135.19	13.20	132.13	12.92	126.95	12.74
	32.00	29.0	166.93	13.89	161.54	13.44	154.34	13.01	146.21	12.58	139.91	12.16	132.91	11.89
	37.00	34.0	175.47	13.72	167.11	13.12	158.76	12.53	150.40	11.96	139.91	11.41	132.91	11.04
	42.00	38.0	175.47	13.54	167.11	12.79	158.76	12.06	150.40	11.34	139.91	10.65	132.91	10.20
	47.00	43.0	175.47	13.36	167.11	12.46	158.76	11.58	150.40	10.73	139.91	9.89	132.91	9.35
	52.00	47.0	175.47	12.32	167.11	11.50	158.76	10.70	150.40	9.92	139.91	9.16	132.91	8.67
	57.00	52.0	175.47	11.21	167.11	10.48	158.76	9.76	150.40	9.06	139.91	8.38	132.91	7.94
	62.00	56.0	175.47	10.45	167.11	9.78	158.76	9.12	150.40	8.48	139.91	7.85	132.91	7.44
	67.00	61.0	175.47	9.63	167.11	9.02	158.76	8.42	150.40	7.84	139.91	7.27	132.91	6.90
72.00	66.0	175.47	8.92	167.11	8.37	158.76	7.82	150.40	7.29	139.91	6.77	132.91	6.43	
75.00	69.0	175.47	8.50	167.11	7.98	158.76	7.46	150.40	6.96	139.91	6.47	132.91	6.15	
70	-3.00	-4.0	92.24	14.79	92.24	14.80	91.86	14.80	91.67	14.81	91.67	14.81	91.67	14.81
	2.00	1.0	95.72	14.71	95.72	14.71	95.54	14.71	95.16	14.72	94.77	14.72	94.93	14.72
	7.00	6.0	102.08	14.61	102.08	14.62	101.93	14.62	101.51	14.62	99.90	14.62	99.49	14.63
	12.00	10.0	112.37	14.53	112.37	14.54	112.26	14.54	110.52	14.54	105.27	14.54	104.38	14.54
	17.00	15.0	125.39	14.43	124.93	14.43	122.31	14.44	116.75	14.44	110.36	14.44	109.43	14.44
	22.00	20.0	138.16	13.93	133.36	13.81	127.50	13.69	120.89	13.57	118.21	13.46	116.30	13.38
	27.00	24.0	150.98	13.43	143.77	13.19	136.80	12.94	129.71	12.71	122.42	12.48	116.30	12.33
	32.00	29.0	153.19	12.93	145.87	12.56	138.80	12.20	131.60	11.84	122.42	11.50	116.30	11.27
	37.00	34.0	153.19	12.44	145.87	11.94	138.80	11.45	131.60	10.98	122.42	10.52	116.30	10.21
	42.00	38.0	153.19	11.94	145.87	11.31	138.80	10.71	131.60	10.11	122.42	9.53	116.30	9.16
	47.00	43.0	153.19	11.44	145.87	10.69	138.80	9.96	131.60	9.25	122.42	8.55	116.30	8.10

Connected Capacity Ratio	Outdoor air temp.		Indoor air temp. °F DB											
			61 °F		64 °F		67 °F		70 °F		73 °F		75 °F	
			Tc	PI	Tc	PI	Tc	PI	Tc	PI	Tc	PI	Tc	PI
	°F DB	°F WB	MBH	kW	MBH	kW	MBH	kW	MBH	kW	MBH	kW	MBH	kW
60	52.00	47.0	153.19	10.57	145.87	9.89	138.80	9.22	131.60	8.57	122.42	7.94	116.30	7.53
	57.00	52.0	153.19	9.64	145.87	9.04	138.80	8.44	131.60	7.86	122.42	7.29	116.30	6.92
	62.00	56.0	153.19	9.01	145.87	8.45	138.80	7.90	131.60	7.37	122.42	6.84	116.30	6.50
	67.00	61.0	153.19	8.33	145.87	7.82	138.80	7.32	131.60	6.83	122.42	6.35	116.30	6.04
	72.00	66.0	153.19	7.73	145.87	7.27	138.80	6.81	131.60	6.37	122.42	5.93	116.30	5.64
	75.00	69.0	153.19	7.38	145.87	6.94	138.80	6.51	131.60	6.09	122.42	5.67	116.30	5.40
	-3.00	-4.0	87.84	14.80	86.11	14.81	84.17	14.81	82.33	14.82	80.47	14.82	79.78	14.82
	2.00	1.0	95.28	14.72	92.62	14.72	89.81	14.72	87.07	14.73	84.21	14.73	83.16	14.73
	7.00	6.0	105.25	14.62	101.55	14.62	97.74	14.62	93.98	14.63	90.00	14.63	88.53	14.63
	12.00	10.0	115.71	14.54	110.89	14.54	106.00	14.54	101.15	14.55	95.96	14.55	94.04	14.55
	17.00	15.0	126.67	14.44	120.64	14.44	114.61	14.44	108.57	14.44	102.09	14.44	99.68	14.23
	22.00	20.0	130.09	13.63	123.89	13.53	117.70	13.44	112.80	13.34	104.93	13.25	99.68	13.01
	27.00	24.0	133.37	12.83	127.02	12.63	120.67	12.43	112.80	12.24	104.93	12.06	99.68	11.79
	32.00	29.0	133.37	12.03	127.02	11.73	120.67	11.43	112.80	11.14	104.93	10.86	99.68	10.57
	37.00	34.0	133.37	11.22	127.02	10.82	120.67	10.43	112.80	10.04	104.93	9.67	99.68	9.35
42.00	38.0	133.37	10.42	127.02	9.92	120.67	9.43	112.80	8.94	104.93	8.47	99.68	8.13	
47.00	43.0	136.41	9.62	128.54	9.01	120.67	8.42	112.80	7.84	104.93	7.28	99.68	6.91	
52.00	47.0	136.41	8.91	128.54	8.36	120.67	7.82	112.80	7.29	104.93	6.78	99.68	6.44	
57.00	52.0	136.41	8.16	128.54	7.67	120.67	7.18	112.80	6.71	104.93	6.24	99.68	5.94	
62.00	56.0	136.41	7.65	128.54	7.19	120.67	6.74	112.80	6.30	104.93	5.87	99.68	5.59	
67.00	61.0	136.41	7.08	128.54	6.67	120.67	6.26	112.80	5.86	104.93	5.47	99.68	5.21	
72.00	66.0	136.41	6.60	128.54	6.22	120.67	5.85	112.80	5.48	104.93	5.12	99.68	4.88	
75.00	69.0	136.41	6.31	128.54	5.95	120.67	5.60	112.80	5.25	104.93	4.91	99.68	4.68	
50	-3.00	-4.0	83.08	14.82	81.20	14.82	79.11	14.82	77.13	14.83	75.20	14.83	71.44	14.83
	2.00	1.0	88.77	14.73	85.88	14.73	82.84	14.73	79.87	14.73	76.95	14.74	73.10	14.74
	7.00	6.0	96.73	14.63	92.71	14.63	88.57	14.63	84.49	14.63	80.45	14.64	76.42	14.64
	12.00	10.0	105.03	14.55	99.78	14.55	94.48	14.55	89.20	14.55	83.94	14.55	79.75	14.09
	17.00	15.0	113.68	14.44	107.12	14.44	100.56	14.38	94.00	13.28	87.44	12.21	83.07	11.51
	22.00	20.0	113.67	13.35	107.12	13.27	100.56	13.15	94.00	12.15	87.44	11.18	83.07	10.56
	27.00	24.0	113.67	12.26	107.12	12.11	100.56	11.91	94.00	11.02	87.44	10.16	83.07	9.60
	32.00	29.0	113.67	11.17	107.12	10.94	100.56	10.68	94.00	9.90	87.44	9.14	83.07	8.64
	37.00	34.0	113.67	10.09	107.12	9.77	100.56	9.44	94.00	8.77	87.44	8.11	83.07	7.69
	42.00	38.0	113.67	9.00	107.12	8.60	100.56	8.21	94.00	7.64	87.44	7.09	83.07	6.73
	47.00	43.0	113.67	7.91	107.12	7.43	100.56	6.97	94.00	6.51	87.44	6.07	83.07	5.77
	52.00	47.0	113.67	7.35	107.12	6.92	100.56	6.49	94.00	6.08	87.44	5.67	83.07	5.40
	57.00	52.0	113.67	6.76	107.12	6.37	100.56	5.99	94.00	5.61	87.44	5.24	83.07	5.00
	62.00	56.0	113.67	6.35	107.12	5.99	100.56	5.64	94.00	5.29	87.44	4.94	83.07	4.72
	67.00	61.0	113.67	5.90	107.12	5.58	100.56	5.25	94.00	4.93	87.44	4.62	83.07	4.41
72.00	66.0	113.67	5.52	107.12	5.22	100.56	4.92	94.00	4.63	87.44	4.34	83.07	4.15	
75.00	69.0	113.67	5.29	107.12	5.00	100.56	4.72	94.00	4.44	87.44	4.17	83.07	3.99	

Table 70 - 38VMA192HDS5-1, 38VMA192HDS6-1

Connected Capacity Ratio	Outdoor air temp.		Indoor air temp. °F DB											
			61°F		64°F		67°F		70°F		73°F		75°F	
			Tc	PI	Tc	PI	Tc	PI	Tc	PI	Tc	PI	Tc	PI
	°F DB	°F WB	MBH	kW	MBH	kW	MBH	kW	MBH	kW	MBH	kW	MBH	kW
135	-3.00	-4.0	111.21	12.65	110.71	13.00	110.54	13.30	110.30	13.62	109.87	13.87	109.87	14.06
	2.00	1.0	120.10	13.66	119.59	13.93	119.18	14.18	118.74	14.41	118.62	14.58	118.38	14.72
	7.00	6.0	130.64	14.64	130.12	14.85	129.65	15.02	129.50	15.17	129.09	15.28	128.80	15.36
	12.00	10.0	139.17	15.68	138.63	15.80	138.12	15.88	137.95	15.92	137.58	15.98	137.24	16.00
	17.00	15.0	146.82	16.68	146.29	16.68	146.12	16.69	145.41	16.69	145.18	16.70	144.71	16.70
	22.00	20.0	160.70	16.58	160.16	16.59	159.98	16.59	159.25	16.59	159.01	16.60	158.52	16.60
	27.00	24.0	170.81	16.48	170.68	16.49	170.27	16.49	169.91	16.49	169.31	16.50	169.19	16.50
	32.00	29.0	183.20	16.39	182.87	16.39	182.57	16.39	182.04	16.40	181.61	16.40	181.32	16.40
	37.00	34.0	196.91	16.29	196.64	16.29	196.30	16.29	195.82	16.30	195.33	16.30	195.08	16.30
	42.00	38.0	228.64	16.19	228.40	16.19	228.00	16.20	222.29	16.20	221.72	16.20	221.51	16.20
	47.00	43.0	252.10	16.09	246.38	16.09	240.67	16.10	234.95	16.10	229.24	16.10	225.43	16.10
	52.00	47.0	262.23	15.99	256.51	16.00	250.80	16.00	245.08	16.00	239.37	16.00	235.56	16.00
	57.00	52.0	274.89	15.87	269.18	15.87	263.46	15.87	257.75	15.88	252.03	15.88	248.15	15.87
	62.00	56.0	285.02	15.77	279.31	15.77	273.59	15.77	267.88	15.78	261.21	15.68	248.15	14.76
	67.00	61.0	297.69	15.65	291.97	15.65	286.26	15.65	280.54	15.65	261.21	14.39	248.15	13.55
	72.00	66.0	310.35	15.52	304.64	15.52	298.92	15.53	280.80	14.45	261.21	13.28	248.15	12.52
75.00	69.0	317.95	15.45	312.24	15.45	306.52	15.45	280.95	13.73	261.21	12.62	248.15	11.90	
120	-3.00	-4.0	110.54	13.25	110.54	13.47	110.10	13.71	109.87	14.02	109.50	14.24	109.21	14.40
	2.00	1.0	119.42	14.09	119.15	14.29	118.61	14.46	118.38	14.73	117.94	14.87	117.70	14.99
	7.00	6.0	129.94	14.96	129.61	15.07	129.03	15.21	128.80	15.42	128.56	15.49	128.09	15.57
	12.00	10.0	138.46	15.87	138.08	15.91	137.82	15.95	137.24	16.07	137.01	16.10	136.53	16.13
	17.00	15.0	146.12	16.69	145.59	16.69	145.41	16.69	144.71	16.70	144.71	16.70	144.71	16.70
	22.00	20.0	159.98	16.59	159.43	16.59	159.25	16.59	158.52	16.60	158.52	16.60	158.52	16.60
	27.00	24.0	170.09	16.49	169.96	16.49	169.55	16.50	169.19	16.50	169.01	16.50	168.65	16.50
	32.00	29.0	182.48	16.39	182.15	16.39	181.85	16.40	181.32	16.40	181.22	16.40	181.03	16.40
	37.00	34.0	196.18	16.29	195.91	16.29	195.57	16.30	195.45	16.30	200.58	16.30	200.33	16.30
	42.00	38.0	216.75	16.19	216.52	16.20	216.14	16.20	215.99	16.20	210.71	16.20	210.42	16.20
	47.00	43.0	244.48	16.09	239.20	16.10	233.93	16.10	228.65	16.10	223.38	16.10	219.86	16.10
	52.00	47.0	254.61	16.00	249.33	16.00	244.06	16.00	238.78	16.00	233.51	16.00	229.06	15.90
	57.00	52.0	267.27	15.87	262.00	15.87	256.72	15.88	251.45	15.88	241.12	15.34	229.06	14.44
	62.00	56.0	277.40	15.77	272.13	15.78	266.85	15.78	259.20	15.54	241.12	14.27	229.06	13.44
	67.00	61.0	290.07	15.65	284.79	15.65	277.28	15.44	259.20	14.26	241.12	13.11	229.06	12.36
	72.00	66.0	302.73	15.52	295.37	15.34	277.28	14.24	259.20	13.16	241.12	12.12	229.06	11.44
75.00	69.0	310.33	15.45	301.71	15.16	277.28	13.52	259.20	12.51	241.12	11.52	229.06	10.88	
110	-3.00	-4.0	109.87	13.65	109.87	13.93	109.43	14.13	109.21	14.36	108.99	14.56	108.54	14.65
	2.00	1.0	118.74	14.43	118.47	14.62	118.16	14.78	117.70	14.95	117.59	15.12	117.37	15.18
	7.00	6.0	129.24	15.19	128.91	15.32	128.62	15.43	128.09	15.53	128.00	15.65	127.83	15.67
	12.00	10.0	137.75	15.93	137.37	16.03	137.11	16.08	137.04	16.11	136.47	16.18	136.33	16.16
	17.00	15.0	145.41	16.69	145.41	16.70	144.94	16.70	144.71	16.70	144.00	16.71	144.00	16.71
	22.00	20.0	159.25	16.59	158.70	16.60	158.52	16.60	158.52	16.60	157.79	16.61	157.79	16.62
	27.00	24.0	169.91	16.49	169.51	16.50	169.25	16.50	168.65	16.50	168.29	16.51	167.93	16.53
	32.00	29.0	182.04	16.39	181.82	16.40	181.46	16.40	181.03	16.40	180.59	16.41	180.59	16.41
	37.00	34.0	195.82	16.30	195.54	16.30	195.21	16.30	194.72	16.30	193.99	16.31	193.25	15.95
	42.00	38.0	210.87	16.20	210.54	16.20	210.23	16.20	209.69	16.20	204.85	16.21	199.53	15.76
	47.00	43.0	236.86	16.10	232.02	16.10	227.19	16.10	222.35	16.10	217.52	16.11	209.97	15.57
	52.00	47.0	246.99	16.00	242.15	16.00	237.32	16.00	232.48	16.00	221.02	15.24	209.97	14.34
	57.00	52.0	259.65	15.88	254.82	15.88	249.98	15.88	237.60	15.07	221.02	13.85	209.97	13.05
	62.00	56.0	269.79	15.78	264.95	15.78	254.18	15.18	237.60	14.02	221.02	12.90	209.97	12.17
	67.00	61.0	282.45	15.65	270.75	15.01	254.18	13.94	237.60	12.89	221.02	11.88	209.97	11.21
	72.00	66.0	287.33	14.85	270.75	13.85	254.18	12.87	237.60	11.92	221.02	10.99	209.97	10.39
75.00	69.0	290.26	14.37	270.75	13.15	254.18	12.23	237.60	11.34	221.02	10.47	209.97	9.90	
100	-3.00	-4.0	109.64	14.15	109.32	14.32	109.21	14.47	108.54	14.69	108.54	14.84	108.54	15.58
	2.00	1.0	118.05	14.80	117.79	14.92	117.70	15.01	117.37	15.21	117.02	15.31	117.02	16.08
	7.00	6.0	128.80	15.44	128.27	15.51	128.09	15.58	127.83	15.74	127.39	15.79	127.39	16.58
	12.00	10.0	137.24	16.08	137.09	16.10	136.70	16.14	136.33	16.23	136.16	16.26	135.83	17.07
	17.00	15.0	144.71	16.70	144.71	16.70	144.24	16.70	144.00	16.71	143.76	16.71	143.29	16.71
	22.00	20.0	158.52	16.60	158.52	16.60	158.04	16.60	157.79	16.61	157.55	16.39	157.07	16.25
	27.00	24.0	169.19	16.50	168.78	16.50	168.53	16.50	167.93	16.51	167.87	16.07	167.75	15.78
	32.00	29.0	181.32	16.40	181.10	16.40	180.74	16.40	180.59	16.40	178.99	15.74	176.38	15.32
	37.00	34.0	195.08	16.30	194.81	16.30	194.47	16.30	193.25	16.30	185.93	15.42	179.35	14.85
	42.00	38.0	214.08	16.20	213.74	16.20	210.42	16.20	203.39	16.20	192.09	15.10	184.55	14.39
	47.00	43.0	235.14	16.10	229.92	16.10	220.45	16.10	216.00	16.10	200.93	14.78	190.88	13.92
	52.00	47.0	246.72	16.00	234.97	16.00	230.58	16.01	216.00	14.83	200.93	13.63	190.88	12.85
	57.00	52.0	252.03	15.88	246.14	15.72	231.07	14.59	216.00	13.48	200.93	12.41	190.88	11.72
	62.00	56.0	261.21	15.68	246.14	14.62	231.07	13.58	216.00	12.57	200.93	11.58	190.88	10.94
	67.00	61.0	261.21	14.39	246.14	13.43	231.07	12.49	216.00	11.57	200.93	10.68	190.88	10.10
	72.00	66.0	261.21	13.28	246.14	12.41	231.07	11.55	216.00	10.72	200.93	9.91	190.88	9.38
75.00	69.0	261.21	12.62	246.14	11.79	231.07	10.99	216.00	10.21	200.93	9.44	190.88	8.94	

Connected Capacity Ratio	Outdoor air temp.		Indoor air temp. °F DB											
			61°F		64°F		67°F		70°F		73°F		75°F	
			Tc	PI	Tc	PI	Tc	PI	Tc	PI	Tc	PI	Tc	PI
	°F DB	°F WB	MBH	kW	MBH	kW	MBH	kW	MBH	kW	MBH	kW	MBH	kW
90	-3.00	-4.0	108.12	15.56	107.62	15.75	107.46	15.91	107.46	16.16	106.80	16.33	106.80	17.14
	2.00	1.0	114.51	16.28	114.28	16.41	113.97	16.51	113.85	16.73	113.42	16.84	113.19	17.68
	7.00	6.0	123.39	16.91	123.20	16.91	122.86	16.92	122.71	16.92	122.32	16.93	122.04	16.93
	12.00	10.0	131.56	16.82	131.41	16.82	131.04	16.83	130.88	16.83	130.52	16.83	130.20	16.84
	17.00	15.0	140.37	16.70	140.37	16.71	140.37	16.71	139.68	16.71	139.68	16.72	139.68	16.72
	22.00	20.0	147.43	16.60	147.43	16.61	146.98	16.49	146.75	16.30	147.54	16.11	144.90	15.99
	27.00	24.0	155.16	16.50	154.78	16.51	154.66	16.27	154.49	15.88	157.67	15.50	155.03	15.26
	32.00	29.0	179.04	16.40	178.82	16.41	177.79	16.05	174.29	15.47	170.33	14.90	167.70	14.53
	37.00	34.0	204.26	16.30	201.67	16.31	196.19	15.83	186.95	15.05	180.84	14.29	171.80	13.80
	42.00	38.0	223.20	16.20	214.80	16.21	205.07	15.61	194.40	14.63	180.84	13.69	171.80	13.07
	47.00	43.0	228.57	16.10	217.66	16.11	207.96	15.39	194.40	14.22	180.84	13.08	171.80	12.34
	52.00	47.0	231.75	16.00	221.53	15.28	207.96	14.18	194.40	13.12	180.84	12.09	171.80	11.42
	57.00	52.0	235.09	14.88	221.53	13.88	207.96	12.91	194.40	11.96	180.84	11.04	171.80	10.43
	62.00	56.0	235.09	13.85	221.53	12.93	207.96	12.04	194.40	11.16	180.84	10.31	171.80	9.76
	67.00	61.0	235.09	12.74	221.53	11.91	207.96	11.09	194.40	10.30	180.84	9.53	171.80	9.03
72.00	66.0	235.09	11.78	221.53	11.02	207.96	10.28	194.40	9.56	180.84	8.86	171.80	8.40	
75.00	69.0	235.09	11.20	221.53	10.49	207.96	9.80	194.40	9.12	180.84	8.45	171.80	8.02	
80	-3.00	-4.0	107.04	17.12	106.55	17.32	106.38	17.50	106.38	17.78	106.16	17.96	105.73	17.15
	2.00	1.0	111.08	17.91	110.85	18.05	110.55	18.16	110.44	18.41	110.33	18.53	110.13	17.05
	7.00	6.0	118.46	16.92	118.28	16.92	117.94	16.92	117.81	16.93	117.72	16.93	117.56	16.93
	12.00	10.0	128.93	16.83	128.79	16.83	128.74	16.83	128.26	16.84	128.20	16.84	128.07	16.84
	17.00	15.0	138.96	16.71	138.45	16.71	138.28	16.71	138.28	16.72	136.24	16.72	136.19	16.72
	22.00	20.0	145.87	16.50	145.87	16.33	145.87	16.16	145.19	16.00	137.76	15.84	132.36	15.74
	27.00	24.0	167.19	16.30	166.25	15.95	162.70	15.61	155.32	15.29	151.81	14.97	145.85	14.76
	32.00	29.0	191.79	16.09	185.60	15.57	177.32	15.06	167.99	14.57	160.74	14.09	152.71	13.78
	37.00	34.0	201.60	15.89	192.00	15.19	182.40	14.51	172.80	13.85	160.74	13.21	152.71	12.79
	42.00	38.0	201.60	15.68	192.00	14.81	182.40	13.96	172.80	13.14	160.74	12.33	152.71	11.81
	47.00	43.0	201.60	15.48	192.00	14.43	182.40	13.41	172.80	12.42	160.74	11.46	152.71	10.83
	52.00	47.0	201.60	14.26	192.00	13.32	182.40	12.39	172.80	11.49	160.74	10.61	152.71	10.04
	57.00	52.0	201.60	12.98	192.00	12.13	182.40	11.31	172.80	10.50	160.74	9.71	152.71	9.20
	62.00	56.0	201.60	12.10	192.00	11.32	182.40	10.56	172.80	9.82	160.74	9.09	152.71	8.62
	67.00	61.0	201.60	11.15	192.00	10.45	182.40	9.76	172.80	9.08	160.74	8.42	152.71	7.99
72.00	66.0	201.60	10.34	192.00	9.69	182.40	9.06	172.80	8.45	160.74	7.84	152.71	7.45	
75.00	69.0	201.60	9.85	192.00	9.24	182.40	8.65	172.80	8.06	160.74	7.49	152.71	7.12	
70	-3.00	-4.0	105.97	17.13	105.97	17.14	105.54	17.14	105.32	17.15	105.32	17.16	105.32	17.16
	2.00	1.0	109.98	17.03	109.98	17.04	109.77	17.04	109.33	17.05	108.88	17.05	109.06	17.05
	7.00	6.0	117.28	16.93	117.28	16.93	117.12	16.93	116.63	16.94	114.78	16.94	114.31	16.94
	12.00	10.0	129.11	16.83	129.11	16.84	128.98	16.84	126.98	16.84	120.95	16.84	119.93	16.85
	17.00	15.0	144.07	16.72	143.54	16.72	140.52	16.72	134.13	16.72	126.80	16.73	125.73	16.73
	22.00	20.0	158.73	16.14	153.22	16.00	146.49	15.86	138.89	15.72	135.82	15.59	133.62	15.50
	27.00	24.0	173.47	15.56	165.19	15.27	157.17	14.99	149.02	14.72	140.65	14.45	133.62	14.28
	32.00	29.0	176.00	14.98	167.60	14.55	159.47	14.13	151.20	13.72	140.65	13.32	133.62	13.05
	37.00	34.0	176.00	14.40	167.60	13.83	159.47	13.26	151.20	12.72	140.65	12.18	133.62	11.83
	42.00	38.0	176.00	13.83	167.60	13.10	159.47	12.40	151.20	11.71	140.65	11.04	133.62	10.61
	47.00	43.0	176.00	13.25	167.60	12.38	159.47	11.54	151.20	10.71	140.65	9.91	133.62	9.38
	52.00	47.0	176.00	12.24	167.60	11.45	159.47	10.68	151.20	9.93	140.65	9.20	133.62	8.72
	57.00	52.0	176.00	11.17	167.60	10.47	159.47	9.78	151.20	9.10	140.65	8.44	133.62	8.01
	62.00	56.0	176.00	10.44	167.60	9.79	159.47	9.15	151.20	8.53	140.65	7.92	133.62	7.52
	67.00	61.0	176.00	9.64	167.60	9.05	159.47	8.48	151.20	7.91	140.65	7.36	133.62	6.99
72.00	66.0	176.00	8.96	167.60	8.42	159.47	7.89	151.20	7.37	140.65	6.87	133.62	6.53	
75.00	69.0	176.00	8.55	167.60	8.04	159.47	7.54	151.20	7.05	140.65	6.57	133.62	6.26	
60	-3.00	-4.0	100.92	17.15	98.93	17.15	96.70	17.16	94.59	17.16	92.45	17.17	91.66	17.17
	2.00	1.0	109.47	17.05	106.42	17.05	103.18	17.05	100.04	17.06	96.76	17.06	95.54	17.06
	7.00	6.0	120.93	16.93	116.68	16.94	112.29	16.94	107.98	16.94	103.41	16.94	101.71	16.95
	12.00	10.0	132.95	16.84	127.40	16.84	121.79	16.85	116.21	16.85	110.25	16.85	108.04	16.85
	17.00	15.0	145.54	16.72	138.61	16.72	131.68	16.73	124.75	16.73	117.29	16.73	114.53	16.49
	22.00	20.0	149.46	15.79	142.35	15.68	135.23	15.56	129.60	15.45	120.56	15.35	114.53	15.07
	27.00	24.0	153.24	14.86	145.94	14.63	138.64	14.40	129.60	14.18	120.56	13.96	114.53	13.66
	32.00	29.0	153.24	13.93	145.94	13.58	138.64	13.24	129.60	12.91	120.56	12.58	114.53	12.24
	37.00	34.0	153.24	13.00	145.94	12.54	138.64	12.08	129.60	11.63	120.56	11.20	114.53	10.83
	42.00	38.0	153.24	12.07	145.94	11.49	138.64	10.92	129.60	10.36	120.56	9.81	114.53	9.42
	47.00	43.0	156.73	11.14	147.68	10.44	138.64	9.76	129.60	9.09	120.56	8.43	114.53	8.00
	52.00	47.0	156.73	10.32	147.68	9.69	138.64	9.06	129.60	8.45	120.56	7.85	114.53	7.46
	57.00	52.0	156.73	9.45	147.68	8.88	138.64	8.32	129.60	7.77	120.56	7.23	114.53	6.88
	62.00	56.0	156.73	8.86	147.68	8.33	138.64	7.81	129.60	7.30	120.56	6.80	114.53	6.47
	67.00	61.0	156.73	8.21	147.68	7.72	138.64	7.25	129.60	6.79	120.56	6.33	114.53	6.03
72.00	66.0	156.73	7.64	147.68	7.20	138.64	6.77	129.60	6.35	120.56	5.93	114.53	5.65	
75.00	69.0	156.73	7.31	147.68	6.89	138.64	6.48	129.60	6.08	120.56	5.68	114.53	5.42	
50	-3.00	-4.0	95.45	17.16	93.29	17.17	90.89	17.17	88.62	17.17	86.40	17.18	82.08	17.18
	2.00	1.0	101.99	17.06	98.67	17.06	95.17	17.06	91.77	17.07	88.41	17.07	83.99	17.07

Connected Capacity Ratio	Outdoor air temp.		Indoor air temp. °F DB											
			61°F		64°F		67°F		70°F		73°F		75°F	
			Tc	PI	Tc	PI	Tc	PI	Tc	PI	Tc	PI	Tc	PI
	°F DB	°F WB	MBH	kW	MBH	kW	MBH	kW	MBH	kW	MBH	kW	MBH	kW
	7.00	6.0	111.14	16.94	106.51	16.94	101.76	16.95	97.08	16.95	92.43	16.95	87.81	16.95
	12.00	10.0	120.68	16.85	114.65	16.85	108.55	16.85	102.49	16.85	96.45	16.86	91.62	16.32
	17.00	15.0	130.61	16.73	123.07	16.73	115.53	16.66	108.00	15.38	100.47	14.14	95.44	13.33
	22.00	20.0	130.60	15.47	123.07	15.38	115.53	15.23	108.00	14.08	100.47	12.95	95.44	12.23
	27.00	24.0	130.60	14.20	123.07	14.02	115.53	13.80	108.00	12.77	100.47	11.77	95.44	11.12
	32.00	29.0	130.60	12.94	123.07	12.67	115.53	12.37	108.00	11.46	100.47	10.58	95.44	10.01
	37.00	34.0	130.60	11.68	123.07	11.32	115.53	10.94	108.00	10.16	100.47	9.40	95.44	8.90
	42.00	38.0	130.60	10.42	123.07	9.96	115.53	9.50	108.00	8.85	100.47	8.21	95.44	7.80
	47.00	43.0	130.60	9.16	123.07	8.61	115.53	8.07	108.00	7.54	100.47	7.03	95.44	6.69
	52.00	47.0	130.60	8.52	123.07	8.01	115.53	7.52	108.00	7.04	100.47	6.56	95.44	6.25
	57.00	52.0	130.60	7.83	123.07	7.38	115.53	6.93	108.00	6.50	100.47	6.07	95.44	5.79
	62.00	56.0	130.60	7.36	123.07	6.94	115.53	6.53	108.00	6.12	100.47	5.73	95.44	5.47
	67.00	61.0	130.60	6.84	123.07	6.46	115.53	6.08	108.00	5.71	100.47	5.35	95.44	5.11
	72.00	66.0	130.60	6.39	123.07	6.04	115.53	5.70	108.00	5.36	100.47	5.03	95.44	4.81
	75.00	69.0	130.60	6.12	123.07	5.79	115.53	5.47	108.00	5.15	100.47	4.83	95.44	4.62

Table 71 - 38VMA216HDS5-1, 38VMA216HDS6-1

Connected Capacity Ratio	Outdoor air temp.		Indoor air temp. °F DB											
			61°F		64°F		67°F		70°F		73°F		75°F	
			Tc	PI	Tc	PI	Tc	PI	Tc	PI	Tc	PI	Tc	PI
	°F DB	°F WB	MBH	kW	MBH	kW	MBH	kW	MBH	kW	MBH	kW	MBH	kW
135	-3.00	-4.0	120.47	13.98	119.93	14.38	119.75	14.71	119.50	15.05	119.03	15.34	119.03	15.54
	2.00	1.0	130.11	15.10	129.55	15.40	129.11	15.68	128.63	15.93	128.50	16.12	128.24	16.27
	7.00	6.0	141.53	16.19	140.96	16.41	140.45	16.61	140.29	16.78	139.85	16.90	139.53	16.98
	12.00	10.0	150.76	17.34	150.19	17.47	149.63	17.55	149.45	17.60	149.05	17.67	148.68	17.69
	17.00	15.0	159.06	18.44	158.49	18.45	158.29	18.45	157.53	18.46	157.27	18.46	156.76	18.46
	22.00	20.0	174.09	18.33	173.50	18.34	173.31	18.34	172.52	18.35	172.26	18.35	171.73	18.35
	27.00	24.0	185.05	18.22	184.90	18.23	184.46	18.23	184.07	18.24	183.42	18.24	183.29	18.24
	32.00	29.0	198.47	18.12	198.11	18.12	197.79	18.12	197.21	18.13	196.74	18.13	196.43	18.13
	37.00	34.0	213.32	18.01	213.03	18.01	212.66	18.01	212.13	18.02	211.61	18.02	211.34	18.02
	42.00	38.0	247.69	17.90	247.44	17.90	247.00	17.91	240.81	17.91	240.19	17.91	239.97	17.91
	47.00	43.0	273.10	17.79	266.91	17.79	260.72	17.80	254.53	17.80	248.34	17.80	244.21	17.80
	52.00	47.0	284.08	17.68	277.89	17.68	271.70	17.69	265.51	17.69	259.32	17.69	255.19	17.69
	57.00	52.0	297.80	17.55	291.61	17.55	285.42	17.55	279.23	17.55	273.04	17.55	268.83	17.55
	62.00	56.0	308.78	17.44	302.59	17.44	296.39	17.44	290.20	17.44	282.98	17.34	268.83	16.31
	67.00	61.0	322.50	17.30	316.31	17.30	310.11	17.30	303.92	17.30	282.98	15.91	268.83	14.98
72.00	66.0	336.22	17.16	330.02	17.16	323.83	17.16	304.20	15.98	282.98	14.68	268.83	13.84	
75.00	69.0	344.45	17.08	338.26	17.08	332.07	17.08	304.37	15.18	282.98	13.95	268.83	13.16	
120	-3.00	-4.0	119.75	14.64	119.75	14.89	119.27	15.16	119.03	15.50	118.62	15.75	118.31	15.92
	2.00	1.0	129.37	15.57	129.08	15.80	128.49	15.99	128.24	16.28	127.76	16.45	127.51	16.58
	7.00	6.0	140.77	16.54	140.41	16.67	139.78	16.81	139.53	17.04	139.27	17.12	138.77	17.21
	12.00	10.0	150.00	17.55	149.58	17.58	149.30	17.64	148.68	17.77	148.42	17.80	147.91	17.84
	17.00	15.0	158.29	18.45	157.72	18.45	157.53	18.46	156.76	18.46	156.76	18.47	156.76	18.47
	22.00	20.0	173.31	18.34	172.72	18.34	172.52	18.35	171.73	18.35	171.73	18.36	171.73	18.36
	27.00	24.0	184.27	18.23	184.12	18.23	183.68	18.24	183.29	18.24	183.09	18.25	182.70	18.25
	32.00	29.0	197.68	18.12	197.33	18.12	197.00	18.13	196.43	18.13	196.32	18.13	196.11	18.14
	37.00	34.0	212.53	18.01	212.23	18.02	211.87	18.02	211.74	18.02	217.30	18.02	217.02	18.03
	42.00	38.0	234.81	17.90	234.56	17.91	234.15	17.91	233.99	17.91	228.27	17.91	227.95	17.92
	47.00	43.0	264.85	17.79	259.14	17.80	253.42	17.80	247.71	17.80	241.99	17.80	238.18	17.81
	52.00	47.0	275.83	17.69	270.11	17.69	264.40	17.69	258.68	17.69	252.97	17.69	248.15	17.57
	57.00	52.0	289.55	17.55	283.83	17.55	278.12	17.55	272.40	17.55	261.21	16.96	248.15	15.96
	62.00	56.0	300.52	17.44	294.81	17.44	289.09	17.44	280.80	17.18	261.21	15.77	248.15	14.86
	67.00	61.0	314.24	17.30	308.53	17.30	300.39	17.07	280.80	15.76	261.21	14.50	248.15	13.67
72.00	66.0	327.96	17.16	319.98	16.96	300.39	15.74	280.80	14.55	261.21	13.40	248.15	12.65	
75.00	69.0	336.19	17.08	326.85	16.76	300.39	14.94	280.80	13.83	261.21	12.74	248.15	12.03	
110	-3.00	-4.0	119.03	15.09	119.03	15.40	118.55	15.62	118.31	15.88	118.07	16.09	117.59	16.20
	2.00	1.0	128.63	15.96	128.34	16.17	128.01	16.34	127.51	16.52	127.39	16.72	127.15	16.78
	7.00	6.0	140.00	16.79	139.65	16.94	139.34	17.06	138.77	17.17	138.67	17.30	138.48	17.32
	12.00	10.0	149.23	17.61	148.82	17.73	148.53	17.78	148.46	17.81	147.84	17.89	147.69	17.87
	17.00	15.0	157.53	18.45	157.53	18.46	157.02	18.46	156.76	18.47	156.00	18.47	156.00	18.47
	22.00	20.0	172.52	18.34	171.93	18.35	171.73	18.35	171.73	18.36	170.94	18.36	170.94	18.26
	27.00	24.0	184.07	18.24	183.63	18.24	183.35	18.24	182.70	18.25	182.31	18.25	181.92	18.05
	32.00	29.0	197.21	18.13	196.98	18.13	196.58	18.13	196.11	18.14	195.64	18.14	195.64	17.84
	37.00	34.0	212.13	18.02	211.84	18.02	211.47	18.02	210.95	18.03	210.15	18.03	209.36	17.63
	42.00	38.0	228.44	17.91	228.08	17.91	227.75	17.91	227.16	17.91	221.92	17.92	216.16	17.42
47.00	43.0	256.60	17.80	251.36	17.80	246.12	17.80	240.88	17.80	235.64	17.81	227.47	17.21	

Connected Capacity Ratio	Outdoor air temp.		Indoor air temp. °F DB											
			61°F		64°F		67°F		70°F		73°F		75°F	
			Tc	PI	Tc	PI	Tc	PI	Tc	PI	Tc	PI	Tc	PI
	°F DB	°F WB	MBH	kW	MBH	kW	MBH	kW	MBH	kW	MBH	kW	MBH	kW
	52.00	47.0	267.57	17.69	262.33	17.69	257.09	17.69	251.86	17.69	239.44	16.84	227.47	15.86
	57.00	52.0	281.29	17.55	276.05	17.55	270.81	17.56	257.40	16.66	239.44	15.31	227.47	14.43
	62.00	56.0	292.27	17.44	287.03	17.44	275.36	16.78	257.40	15.50	239.44	14.26	227.47	13.45
	67.00	61.0	305.99	17.30	293.32	16.60	275.36	15.41	257.40	14.25	239.44	13.13	227.47	12.40
	72.00	66.0	311.27	16.42	293.32	15.31	275.36	14.23	257.40	13.18	239.44	12.16	227.47	11.49
	75.00	69.0	314.45	15.88	293.32	14.54	275.36	13.52	257.40	12.53	239.44	11.57	227.47	10.94
	-3.00	-4.0	118.77	15.64	118.43	15.83	118.31	15.99	117.59	16.24	117.59	16.41	117.59	17.23
100	2.00	1.0	127.89	16.37	127.60	16.49	127.51	16.60	127.15	16.82	126.77	16.93	126.77	17.77
	7.00	6.0	139.53	17.07	138.96	17.15	138.77	17.23	138.48	17.40	138.00	17.46	138.00	18.33
	12.00	10.0	148.68	17.78	148.52	17.80	148.09	17.84	147.69	17.95	147.51	17.97	147.14	18.87
	17.00	15.0	156.76	18.46	156.76	18.46	156.25	18.47	156.00	18.47	155.75	18.48	155.24	18.48
	22.00	20.0	171.73	18.35	171.73	18.35	171.21	18.36	170.94	18.36	170.68	18.12	170.16	17.96
	27.00	24.0	183.29	18.24	182.85	18.24	182.57	18.25	181.92	18.25	181.85	17.76	181.72	17.45
	32.00	29.0	196.43	18.13	196.19	18.13	195.80	18.14	195.64	18.14	193.91	17.41	191.08	16.93
	37.00	34.0	211.34	18.02	211.04	18.02	210.68	18.03	209.36	18.02	201.43	17.05	194.29	16.42
	42.00	38.0	231.92	17.91	231.56	17.91	227.95	17.92	220.34	17.91	208.09	16.70	199.93	15.91
	47.00	43.0	254.74	17.80	249.08	17.80	238.82	17.81	234.00	17.80	217.67	16.34	206.79	15.39
	52.00	47.0	267.28	17.69	254.56	17.69	249.79	17.70	234.00	16.39	217.67	15.07	206.79	14.21
	57.00	52.0	273.04	17.55	266.65	17.38	250.33	16.13	234.00	14.91	217.67	13.73	206.79	12.96
	62.00	56.0	282.98	17.34	266.65	16.16	250.33	15.01	234.00	13.89	217.67	12.81	206.79	12.10
	67.00	61.0	282.98	15.91	266.65	14.84	250.33	13.81	234.00	12.79	217.67	11.81	206.79	11.17
	72.00	66.0	282.98	14.68	266.65	13.72	250.33	12.77	234.00	11.85	217.67	10.95	206.79	10.37
	75.00	69.0	282.98	13.95	266.65	13.04	250.33	12.15	234.00	11.28	217.67	10.44	206.79	9.89
	90	-3.00	-4.0	117.13	17.20	116.59	17.41	116.41	17.59	116.41	17.87	115.70	18.05	115.70
2.00		1.0	124.06	18.00	123.80	18.14	123.47	18.26	123.34	18.50	122.87	18.62	122.62	19.55
7.00		6.0	133.68	18.69	133.47	18.70	133.09	18.70	132.94	18.71	132.51	18.71	132.21	18.72
12.00		10.0	142.52	18.59	142.37	18.60	141.96	18.60	141.79	18.61	141.40	18.61	141.05	18.61
17.00		15.0	152.07	18.47	152.07	18.47	152.07	18.47	151.32	18.48	151.32	18.48	151.32	18.48
22.00		20.0	159.71	18.36	159.71	18.36	159.22	18.23	158.98	18.02	159.83	17.81	156.97	17.68
27.00		24.0	168.09	18.25	167.68	18.25	167.55	17.99	167.37	17.56	170.81	17.14	167.95	16.87
32.00		29.0	193.95	18.14	193.72	18.14	192.60	17.74	188.81	17.10	184.53	16.47	181.67	16.06
37.00		34.0	221.29	18.03	218.47	18.03	212.54	17.50	202.53	16.64	195.91	15.80	186.11	15.26
42.00		38.0	241.80	17.92	232.70	17.92	222.16	17.26	210.60	16.18	195.91	15.13	186.11	14.45
47.00		43.0	247.61	17.80	235.80	17.81	225.29	17.02	210.60	15.72	195.91	14.46	186.11	13.64
52.00		47.0	251.06	17.69	239.99	16.89	225.29	15.68	210.60	14.51	195.91	13.36	186.11	12.62
57.00		52.0	254.68	16.46	239.99	15.35	225.29	14.27	210.60	13.22	195.91	12.20	186.11	11.53
62.00		56.0	254.68	15.31	239.99	14.30	225.29	13.31	210.60	12.34	195.91	11.40	186.11	10.79
67.00		61.0	254.68	14.08	239.99	13.16	225.29	12.27	210.60	11.39	195.91	10.54	186.11	9.98
72.00		66.0	254.68	13.02	239.99	12.19	225.29	11.37	210.60	10.57	195.91	9.79	186.11	9.28
75.00		69.0	254.68	12.39	239.99	11.60	225.29	10.83	210.60	10.08	195.91	9.34	186.11	8.86
80	-3.00	-4.0	115.96	18.92	115.43	19.15	115.25	19.35	115.25	19.65	115.01	19.85	114.54	18.96
	2.00	1.0	120.34	19.80	120.09	19.95	119.76	20.08	119.64	20.35	119.53	20.48	119.31	18.85
	7.00	6.0	128.33	18.70	128.13	18.71	127.77	18.71	127.62	18.72	127.53	18.72	127.36	18.72
	12.00	10.0	139.68	18.60	139.52	18.61	139.47	18.61	138.95	18.61	138.88	18.62	138.74	18.62
	17.00	15.0	150.54	18.47	149.99	18.48	149.81	18.48	149.81	18.48	147.59	18.49	147.53	18.49
	22.00	20.0	158.02	18.25	158.02	18.06	158.02	17.87	157.29	17.69	149.24	17.52	143.39	17.40
	27.00	24.0	181.12	18.02	180.10	17.64	176.25	17.26	168.27	16.90	164.46	16.55	158.01	16.32
	32.00	29.0	207.77	17.79	201.07	17.22	192.10	16.66	181.99	16.11	174.14	15.58	165.43	15.23
	37.00	34.0	218.40	17.57	208.00	16.80	197.60	16.05	187.20	15.32	174.14	14.61	165.43	14.14
	42.00	38.0	218.40	17.34	208.00	16.38	197.60	15.44	187.20	14.53	174.14	13.64	165.43	13.06
	47.00	43.0	218.40	17.11	208.00	15.96	197.60	14.83	187.20	13.73	174.14	12.67	165.43	11.97
	52.00	47.0	218.40	15.77	208.00	14.72	197.60	13.70	187.20	12.70	174.14	11.73	165.43	11.10
	57.00	52.0	218.40	14.35	208.00	13.42	197.60	12.50	187.20	11.61	174.14	10.74	165.43	10.17
	62.00	56.0	218.40	13.38	208.00	12.52	197.60	11.68	187.20	10.86	174.14	10.05	165.43	9.53
	67.00	61.0	218.40	12.33	208.00	11.55	197.60	10.79	187.20	10.04	174.14	9.31	165.43	8.83
	72.00	66.0	218.40	11.43	208.00	10.72	197.60	10.02	187.20	9.34	174.14	8.67	165.43	8.23
	75.00	69.0	218.40	10.89	208.00	10.22	197.60	9.56	187.20	8.92	174.14	8.29	165.43	7.87
70	-3.00	-4.0	114.80	18.94	114.80	18.95	114.33	18.95	114.10	18.96	114.10	18.97	114.10	18.97
	2.00	1.0	119.14	18.83	119.14	18.84	118.92	18.84	118.44	18.85	117.96	18.85	118.15	18.86
	7.00	6.0	127.05	18.71	127.05	18.72	126.88	18.72	126.35	18.72	124.35	18.73	123.83	18.73
	12.00	10.0	139.86	18.61	139.86	18.61	139.73	18.62	137.56	18.62	131.03	18.62	129.92	18.63
	17.00	15.0	156.08	18.48	155.50	18.48	152.23	18.49	145.31	18.49	137.37	18.49	136.21	18.49
	22.00	20.0	171.96	17.84	165.99	17.68	158.69	17.53	150.47	17.38	147.13	17.23	144.75	17.14
	27.00	24.0	187.92	17.20	178.95	16.89	170.27	16.58	161.44	16.27	152.37	15.98	144.75	15.79
	32.00	29.0	190.67	16.56	181.57	16.09	172.76	15.62	163.80	15.17	152.37	14.72	144.75	14.43
	37.00	34.0	190.67	15.92	181.57	15.29	172.76	14.67	163.80	14.06	152.37	13.47	144.75	13.08
	42.00	38.0	190.67	15.29	181.57	14.49	172.76	13.71	163.80	12.95	152.37	12.21	144.75	11.73
	47.00	43.0	190.67	14.65	181.57	13.69	172.76	12.75	163.80	11.84	152.37	10.95	144.75	10.37
	52.00	47.0	190.67	13.53	181.57	12.66	172.76	11.81	163.80	10.98	152.37	10.17	144.75	9.64
	57.00	52.0	190.67	12.35	181.57	11.57	172.76	10.81	163.80	10.06	152.37	9.33	144.75	8.86

Connected Capacity Ratio	Outdoor air temp.		Indoor air temp. °F DB											
			61°F		64°F		67°F		70°F		73°F		75°F	
			Tc	PI	Tc	PI	Tc	PI	Tc	PI	Tc	PI	Tc	PI
	°F DB	°F WB	MBH	kW	MBH	kW	MBH	kW	MBH	kW	MBH	kW	MBH	kW
60	62.00	56.0	190.67	11.54	181.57	10.82	172.76	10.12	163.80	9.43	152.37	8.76	144.75	8.32
	67.00	61.0	190.67	10.66	181.57	10.01	172.76	9.37	163.80	8.75	152.37	8.13	144.75	7.73
	72.00	66.0	190.67	9.91	181.57	9.31	172.76	8.73	163.80	8.15	152.37	7.59	144.75	7.22
	75.00	69.0	190.67	9.45	181.57	8.89	172.76	8.34	163.80	7.80	152.37	7.27	144.75	6.92
	-3.00	-4.0	109.33	18.96	107.17	18.96	104.76	18.97	102.47	18.97	100.16	18.98	99.30	18.98
	2.00	1.0	118.59	18.84	115.28	18.85	111.78	18.85	108.37	18.86	104.82	18.86	103.51	18.86
	7.00	6.0	131.00	18.72	126.40	18.72	121.65	18.73	116.98	18.73	112.02	18.73	110.19	18.74
	12.00	10.0	144.03	18.62	138.02	18.62	131.94	18.62	125.90	18.63	119.44	18.63	117.05	18.63
	17.00	15.0	157.66	18.49	150.16	18.49	142.65	18.49	135.14	18.49	127.06	18.50	124.07	18.23
	22.00	20.0	161.92	17.46	154.21	17.33	146.50	17.21	140.40	17.09	130.60	16.97	124.07	16.66
	27.00	24.0	166.01	16.43	158.10	16.17	150.20	15.92	140.40	15.68	130.60	15.44	124.07	15.10
	32.00	29.0	166.01	15.40	158.10	15.02	150.20	14.64	140.40	14.27	130.60	13.91	124.07	13.54
	37.00	34.0	166.01	14.37	158.10	13.86	150.20	13.35	140.40	12.86	130.60	12.38	124.07	11.97
	42.00	38.0	166.01	13.35	158.10	12.70	150.20	12.07	140.40	11.45	130.60	10.85	124.07	10.41
	47.00	43.0	169.79	12.32	159.99	11.54	150.20	10.79	140.40	10.04	130.60	9.32	124.07	8.85
	52.00	47.0	169.79	11.41	159.99	10.71	150.20	10.02	140.40	9.34	130.60	8.68	124.07	8.24
	57.00	52.0	169.79	10.45	159.99	9.82	150.20	9.20	140.40	8.59	130.60	7.99	124.07	7.60
62.00	56.0	169.79	9.79	159.99	9.21	150.20	8.63	140.40	8.07	130.60	7.52	124.07	7.16	
67.00	61.0	169.79	9.07	159.99	8.54	150.20	8.02	140.40	7.51	130.60	7.00	124.07	6.67	
72.00	66.0	169.79	8.45	159.99	7.96	150.20	7.49	140.40	7.02	130.60	6.55	124.07	6.25	
75.00	69.0	169.79	8.08	159.99	7.62	150.20	7.17	140.40	6.72	130.60	6.28	124.07	6.00	
50	-3.00	-4.0	103.41	18.97	101.07	18.98	98.47	18.98	96.00	18.99	93.60	18.99	88.92	19.00
	2.00	1.0	110.49	18.86	106.89	18.86	103.10	18.86	99.41	18.87	95.78	18.87	90.99	18.87
	7.00	6.0	120.40	18.73	115.39	18.73	110.24	18.74	105.17	18.74	100.13	18.74	95.12	18.74
	12.00	10.0	130.73	18.63	124.20	18.63	117.60	18.63	111.03	18.63	104.48	18.64	99.26	18.04
	17.00	15.0	141.49	18.49	133.33	18.50	125.16	18.42	117.00	17.01	108.84	15.63	103.40	14.74
	22.00	20.0	141.49	17.10	133.33	17.00	125.16	16.84	117.00	15.56	108.84	14.32	103.40	13.52
	27.00	24.0	141.49	15.70	133.33	15.50	125.16	15.25	117.00	14.12	108.84	13.01	103.40	12.29
	32.00	29.0	141.49	14.31	133.33	14.01	125.16	13.67	117.00	12.67	108.84	11.70	103.40	11.07
	37.00	34.0	141.49	12.92	133.33	12.51	125.16	12.09	117.00	11.23	108.84	10.39	103.40	9.84
	42.00	38.0	141.49	11.52	133.33	11.02	125.16	10.51	117.00	9.79	108.84	9.08	103.40	8.62
	47.00	43.0	141.49	10.13	133.33	9.52	125.16	8.92	117.00	8.34	108.84	7.77	103.40	7.39
	52.00	47.0	141.49	9.41	133.33	8.86	125.16	8.32	117.00	7.78	108.84	7.26	103.40	6.91
	57.00	52.0	141.49	8.66	133.33	8.16	125.16	7.67	117.00	7.18	108.84	6.71	103.40	6.40
	62.00	56.0	141.49	8.13	133.33	7.67	125.16	7.22	117.00	6.77	108.84	6.33	103.40	6.04
	67.00	61.0	141.49	7.56	133.33	7.14	125.16	6.73	117.00	6.32	108.84	5.92	103.40	5.65
	72.00	66.0	141.49	7.07	133.33	6.68	125.16	6.30	117.00	5.93	108.84	5.56	103.40	5.31
	75.00	69.0	141.49	6.77	133.33	6.40	125.16	6.04	117.00	5.69	108.84	5.34	103.40	5.11

Table 72 - 38VMA240HDS5-1, 38VMA240HDS6-1

Connected Capacity Ratio	Outdoor air temp.		Indoor air temp. °F DB											
			61°F		64°F		67°F		70°F		73°F		75°F	
			Tc	PI	Tc	PI	Tc	PI	Tc	PI	Tc	PI	Tc	PI
	°F DB	°F WB	MBH	kW	MBH	kW	MBH	kW	MBH	kW	MBH	kW	MBH	kW
135	-3.00	-4.0	129.74	15.32	129.16	15.75	128.96	16.11	128.69	16.49	128.19	16.80	128.19	17.02
	2.00	1.0	140.11	16.54	139.52	16.87	139.04	17.17	138.53	17.45	138.39	17.66	138.11	17.82
	7.00	6.0	152.42	17.74	151.80	17.98	151.25	18.19	151.08	18.38	150.60	18.51	150.26	18.60
	12.00	10.0	162.36	18.99	161.74	19.13	161.14	19.23	160.94	19.29	160.51	19.35	160.12	19.38
	17.00	15.0	171.29	20.20	170.68	20.21	170.47	20.21	169.65	20.22	169.37	20.22	168.82	20.23
	22.00	20.0	187.49	20.08	186.85	20.09	186.64	20.09	185.79	20.10	185.51	20.10	184.94	20.11
	27.00	24.0	199.28	19.96	199.13	19.97	198.65	19.97	198.23	19.98	197.53	19.98	197.39	19.99
	32.00	29.0	213.73	19.85	213.35	19.85	213.00	19.85	212.38	19.86	211.87	19.86	211.53	19.87
	37.00	34.0	229.73	19.73	229.41	19.73	229.02	19.73	228.45	19.74	227.88	19.74	227.60	19.74
	42.00	38.0	266.75	19.61	266.47	19.61	266.00	19.62	259.34	19.62	258.67	19.62	258.43	19.62
	47.00	43.0	294.11	19.49	287.45	19.49	280.78	19.50	274.11	19.50	267.44	19.50	263.00	19.50
	52.00	47.0	305.93	19.37	299.27	19.37	292.60	19.38	285.93	19.38	279.26	19.38	274.82	19.38
	57.00	52.0	320.71	19.22	314.04	19.22	307.37	19.23	300.71	19.23	294.04	19.23	289.51	19.22
	62.00	56.0	332.53	19.10	325.86	19.10	319.19	19.11	312.53	19.11	304.74	18.99	289.51	17.87
	67.00	61.0	347.30	18.95	340.64	18.95	333.97	18.96	327.30	18.96	304.74	17.43	289.51	16.42
	72.00	66.0	362.08	18.80	355.41	18.80	348.74	18.80	327.60	17.50	304.74	16.09	289.51	15.17
	75.00	69.0	370.94	18.71	364.28	18.71	357.61	18.71	327.78	16.63	304.74	15.28	289.51	14.42
120	-3.00	-4.0	128.96	16.04	128.96	16.32	128.45	16.61	128.19	16.98	127.74	17.25	127.41	17.44
	2.00	1.0	139.32	17.06	139.01	17.30	138.37	17.52	138.11	17.84	137.59	18.02	137.31	18.16
	7.00	6.0	151.60	18.12	151.21	18.26	150.54	18.42	150.26	18.67	149.99	18.76	149.44	18.86
	12.00	10.0	161.53	19.22	161.09	19.26	160.79	19.32	160.12	19.46	159.84	19.50	159.29	19.54
	17.00	15.0	170.47	20.21	169.85	20.21	169.65	20.22	168.82	20.22	168.82	20.23	168.82	20.23
22.00	20.0	186.64	20.09	186.00	20.09	185.79	20.10	184.94	20.10	184.94	20.11	184.94	20.11	

Connected Capacity Ratio	Outdoor air temp.		Indoor air temp. °F DB											
			61°F		64°F		67°F		70°F		73°F		75°F	
			Tc	PI	Tc	PI	Tc	PI	Tc	PI	Tc	PI	Tc	PI
	°F DB	°F WB	MBH	kW	MBH	kW	MBH	kW	MBH	kW	MBH	kW	MBH	kW
110	27.00	24.0	198.44	19.97	198.28	19.98	197.81	19.98	197.39	19.98	197.18	19.99	196.76	19.99
	32.00	29.0	212.89	19.85	212.51	19.86	212.16	19.86	211.53	19.86	211.42	19.87	211.20	19.87
	37.00	34.0	228.88	19.73	228.56	19.74	228.17	19.74	228.03	19.74	234.01	19.75	233.72	19.75
	42.00	38.0	252.87	19.61	252.61	19.62	252.16	19.62	251.99	19.62	245.83	19.63	245.49	19.63
	47.00	43.0	285.22	19.49	279.07	19.50	272.91	19.50	266.76	19.50	260.61	19.50	256.50	19.51
	52.00	47.0	297.04	19.37	290.89	19.38	284.74	19.38	278.58	19.38	272.43	19.38	267.24	19.25
	57.00	52.0	311.82	19.22	305.66	19.23	299.51	19.23	293.36	19.23	281.30	18.58	267.24	17.49
	62.00	56.0	323.64	19.10	317.48	19.11	311.33	19.11	302.40	18.82	281.30	17.28	267.24	16.28
	67.00	61.0	338.41	18.95	332.26	18.96	323.50	18.70	302.40	17.27	281.30	15.88	267.24	14.98
	72.00	66.0	353.19	18.80	344.60	18.58	323.50	17.24	302.40	15.94	281.30	14.68	267.24	13.86
	75.00	69.0	362.05	18.71	352.00	18.36	323.50	16.37	302.40	15.15	281.30	13.96	267.24	13.18
	-3.00	-4.0	128.19	16.53	128.19	16.87	127.67	17.11	127.41	17.39	127.15	17.63	126.63	17.75
	2.00	1.0	138.53	17.48	138.21	17.71	137.86	17.91	137.31	18.10	137.19	18.32	136.94	18.39
	7.00	6.0	150.77	18.39	150.39	18.56	150.06	18.69	149.44	18.81	149.34	18.95	149.13	18.98
	12.00	10.0	160.71	19.29	160.26	19.42	159.96	19.48	159.88	19.51	159.21	19.60	159.05	19.58
17.00	15.0	169.65	20.22	169.65	20.22	169.10	20.23	168.82	20.23	168.00	20.23	168.00	20.24	
22.00	20.0	185.79	20.10	185.15	20.10	184.94	20.11	184.94	20.11	184.09	20.11	184.09	20.01	
27.00	24.0	198.23	19.98	197.76	19.98	197.46	19.98	196.76	19.99	196.33	19.99	195.91	19.78	
32.00	29.0	212.38	19.86	212.13	19.86	211.70	19.86	211.20	19.87	210.69	19.87	210.69	19.55	
37.00	34.0	228.45	19.74	228.13	19.74	227.74	19.74	227.17	19.75	226.32	19.75	225.46	19.32	
42.00	38.0	246.01	19.62	245.63	19.62	245.27	19.62	244.63	19.63	238.99	19.63	232.79	19.08	
47.00	43.0	276.33	19.50	270.69	19.50	265.05	19.50	259.41	19.50	253.77	19.51	244.97	18.85	
52.00	47.0	288.15	19.38	282.51	19.38	276.87	19.38	271.23	19.38	257.86	18.45	244.97	17.37	
57.00	52.0	302.93	19.23	297.29	19.23	291.65	19.23	277.20	18.26	257.86	16.77	244.97	15.81	
62.00	56.0	314.75	19.11	309.11	19.11	296.54	18.39	277.20	16.99	257.86	15.62	244.97	14.74	
67.00	61.0	329.52	18.96	315.88	18.18	296.54	16.88	277.20	15.61	257.86	14.38	244.97	13.58	
72.00	66.0	335.22	17.98	315.88	16.77	296.54	15.59	277.20	14.44	257.86	13.32	244.97	12.59	
75.00	69.0	338.64	17.40	315.88	15.92	296.54	14.81	277.20	13.73	257.86	12.68	244.97	11.99	
-3.00	-4.0	127.91	17.13	127.54	17.34	127.41	17.52	126.63	17.79	126.63	17.98	126.63	18.87	
2.00	1.0	137.73	17.93	137.42	18.07	137.31	18.18	136.94	18.42	136.52	18.54	136.52	19.47	
7.00	6.0	150.26	18.70	149.65	18.79	149.44	18.87	149.13	19.06	148.62	19.12	148.62	20.08	
12.00	10.0	160.12	19.48	159.94	19.50	159.49	19.54	159.05	19.66	158.86	19.69	158.46	20.67	
17.00	15.0	168.82	20.22	168.82	20.23	168.27	20.23	168.00	20.24	167.73	20.24	167.18	20.24	
22.00	20.0	184.94	20.10	184.94	20.11	184.38	20.11	184.09	20.11	183.81	19.85	183.25	19.68	
27.00	24.0	197.39	19.98	196.91	19.99	196.62	19.99	195.91	19.99	195.84	19.46	195.70	19.12	
32.00	29.0	211.53	19.86	211.28	19.87	210.86	19.87	210.69	19.87	208.83	19.07	205.78	18.55	
37.00	34.0	227.60	19.74	227.28	19.74	226.89	19.75	225.46	19.75	216.92	18.68	209.24	17.99	
42.00	38.0	249.76	19.62	249.37	19.62	245.49	19.63	237.28	19.62	224.10	18.29	215.31	17.42	
47.00	43.0	274.33	19.50	268.24	19.50	257.19	19.51	252.00	19.50	234.42	17.90	222.70	16.86	
52.00	47.0	287.84	19.38	274.14	19.38	269.01	19.39	252.00	17.96	234.42	16.51	222.70	15.57	
57.00	52.0	294.04	19.23	287.16	19.04	269.58	17.67	252.00	16.33	234.42	15.04	222.70	14.19	
62.00	56.0	304.74	18.99	287.16	17.70	269.58	16.44	252.00	15.22	234.42	14.03	222.70	13.25	
67.00	61.0	304.74	17.43	287.16	16.26	269.58	15.12	252.00	14.02	234.42	12.94	222.70	12.23	
72.00	66.0	304.74	16.09	287.16	15.03	269.58	13.99	252.00	12.98	234.42	12.00	222.70	11.36	
75.00	69.0	304.74	15.28	287.16	14.28	269.58	13.31	252.00	12.36	234.42	11.43	222.70	10.83	
-3.00	-4.0	126.14	18.85	125.56	19.07	125.37	19.27	125.37	19.57	124.60	19.77	124.60	20.76	
2.00	1.0	133.60	19.72	133.32	19.87	132.96	20.00	132.83	20.27	132.32	20.40	132.05	21.42	
7.00	6.0	143.96	20.48	143.74	20.48	143.33	20.49	143.17	20.49	142.71	20.50	142.38	20.50	
12.00	10.0	153.49	20.37	153.32	20.38	152.88	20.38	152.69	20.38	152.27	20.39	151.90	20.39	
17.00	15.0	163.76	20.23	163.76	20.23	163.76	20.24	162.96	20.24	162.96	20.25	162.96	20.25	
22.00	20.0	172.00	20.11	172.00	20.11	171.47	19.97	171.21	19.74	172.13	19.51	169.05	19.36	
27.00	24.0	181.02	19.99	180.58	19.99	180.43	19.71	180.24	19.24	183.95	18.78	180.87	18.48	
32.00	29.0	208.87	19.87	208.62	19.87	207.42	19.44	203.34	18.73	198.72	18.04	195.65	17.60	
37.00	34.0	238.31	19.75	235.28	19.75	228.88	19.17	218.11	18.23	210.98	17.31	200.43	16.71	
42.00	38.0	260.40	19.63	250.60	19.63	239.24	18.91	226.80	17.73	210.98	16.58	200.43	15.83	
47.00	43.0	266.66	19.51	253.94	19.51	242.62	18.64	226.80	17.22	210.98	15.84	200.43	14.95	
52.00	47.0	270.38	19.38	258.45	18.50	242.62	17.18	226.80	15.89	210.98	14.64	200.43	13.83	
57.00	52.0	274.27	18.03	258.45	16.82	242.62	15.64	226.80	14.49	210.98	13.37	200.43	12.64	
62.00	56.0	274.27	16.78	258.45	15.66	242.62	14.58	226.80	13.52	210.98	12.49	200.43	11.82	
67.00	61.0	274.27	15.43	258.45	14.42	242.62	13.44	226.80	12.48	210.98	11.54	200.43	10.93	
72.00	66.0	274.27	14.26	258.45	13.35	242.62	12.45	226.80	11.58	210.98	10.73	200.43	10.17	
75.00	69.0	274.27	13.57	258.45	12.71	242.62	11.86	226.80	11.04	210.98	10.24	200.43	9.71	
-3.00	-4.0	124.88	20.73	124.31	20.98	124.11	21.20	124.11	21.53	123.86	21.75	123.35	20.77	
2.00	1.0	129.60	21.69	129.33	21.86	128.97	22.00	128.84	22.29	128.72	22.44	128.48	20.65	
7.00	6.0	138.20	20.49	137.99	20.49	137.60	20.50	137.44	20.50	137.34	20.51	137.15	20.51	
12.00	10.0	150.42	20.38	150.25	20.38	150.20	20.39	149.64	20.39	149.56	20.40	149.41	20.40	
17.00	15.0	162.13	20.24	161.53	20.24	161.33	20.24	161.33	20.25	158.95	20.25	158.88	20.25	
22.00	20.0	170.18	19.99	170.18	19.78	170.18	19.58	169.39	19.38	160.73	19.19	154.42	19.06	
27.00	24.0	195.05	19.74	193.95	19.32	189.81	18.91	181.21	18.51	177.11	18.13	170.16	17.87	
32.00	29.0	223.75	19.49	216.54	18.86	206.88	18.25	195.99	17.65	187.53	17.06	178.16	16.68	

Connected Capacity Ratio	Outdoor air temp.		Indoor air temp. °F DB											
			61°F		64°F		67°F		70°F		73°F		75°F	
			Tc	PI	Tc	PI	Tc	PI	Tc	PI	Tc	PI	Tc	PI
	°F DB	°F WB	MBH	kW	MBH	kW	MBH	kW	MBH	kW	MBH	kW	MBH	kW
70	37.00	34.0	235.20	19.24	224.00	18.40	212.80	17.58	201.60	16.78	187.53	16.00	178.16	15.49
	42.00	38.0	235.20	19.00	224.00	17.94	212.80	16.91	201.60	15.91	187.53	14.94	178.16	14.30
	47.00	43.0	235.20	18.75	224.00	17.48	212.80	16.25	201.60	15.05	187.53	13.88	178.16	13.11
	52.00	47.0	235.20	17.28	224.00	16.13	212.80	15.01	201.60	13.92	187.53	12.85	178.16	12.16
	57.00	52.0	235.20	15.72	224.00	14.70	212.80	13.69	201.60	12.72	187.53	11.76	178.16	11.14
	62.00	56.0	235.20	14.66	224.00	13.72	212.80	12.79	201.60	11.89	187.53	11.01	178.16	10.44
	67.00	61.0	235.20	13.51	224.00	12.65	212.80	11.82	201.60	11.00	187.53	10.20	178.16	9.68
	72.00	66.0	235.20	12.52	224.00	11.74	212.80	10.98	201.60	10.23	187.53	9.50	178.16	9.02
	75.00	69.0	235.20	11.93	224.00	11.19	212.80	10.47	201.60	9.77	187.53	9.08	178.16	8.63
	-3.00	-4.0	123.64	20.75	123.64	20.76	123.13	20.76	122.87	20.77	122.87	20.78	122.87	20.78
	2.00	1.0	128.31	20.63	128.31	20.64	128.07	20.64	127.55	20.65	127.03	20.65	127.24	20.66
	7.00	6.0	136.83	20.50	136.83	20.50	136.64	20.51	136.07	20.51	133.91	20.52	133.36	20.52
	12.00	10.0	150.62	20.39	150.62	20.39	150.47	20.40	148.14	20.40	141.11	20.40	139.92	20.40
	17.00	15.0	168.08	20.25	167.46	20.25	163.94	20.25	156.49	20.25	147.93	20.26	146.69	20.26
	22.00	20.0	185.19	19.55	178.76	19.37	170.90	19.20	162.04	19.04	158.45	18.88	155.89	18.78
27.00	24.0	202.38	18.85	192.72	18.50	183.37	18.16	173.86	17.83	164.09	17.50	155.89	17.29	
32.00	29.0	205.33	18.15	195.53	17.62	186.04	17.11	176.40	16.61	164.09	16.13	155.89	15.81	
37.00	34.0	205.33	17.45	195.53	16.75	186.04	16.07	176.40	15.40	164.09	14.75	155.89	14.33	
42.00	38.0	205.33	16.75	195.53	15.87	186.04	15.02	176.40	14.19	164.09	13.38	155.89	12.85	
47.00	43.0	205.33	16.05	195.53	15.00	186.04	13.97	176.40	12.97	164.09	12.00	155.89	11.36	
52.00	47.0	205.33	14.82	195.53	13.87	186.04	12.94	176.40	12.03	164.09	11.14	155.89	10.56	
57.00	52.0	205.33	13.53	195.53	12.68	186.04	11.84	176.40	11.02	164.09	10.23	155.89	9.70	
62.00	56.0	205.33	12.64	195.53	11.86	186.04	11.09	176.40	10.33	164.09	9.60	155.89	9.11	
67.00	61.0	205.33	11.68	195.53	10.97	186.04	10.27	176.40	9.58	164.09	8.91	155.89	8.47	
72.00	66.0	205.33	10.85	195.53	10.20	186.04	9.56	176.40	8.93	164.09	8.32	155.89	7.91	
75.00	69.0	205.33	10.35	195.53	9.74	186.04	9.13	176.40	8.54	164.09	7.96	155.89	7.58	
60	-3.00	-4.0	117.74	20.77	115.42	20.77	112.82	20.78	110.36	20.79	107.86	20.79	106.94	20.80
	2.00	1.0	127.71	20.64	124.15	20.65	120.38	20.65	116.71	20.66	112.88	20.66	111.47	20.67
	7.00	6.0	141.08	20.51	136.12	20.51	131.01	20.52	125.97	20.52	120.64	20.52	118.67	20.53
	12.00	10.0	155.11	20.40	148.64	20.40	142.09	20.40	135.58	20.41	128.62	20.41	126.05	20.41
	17.00	15.0	169.79	20.25	161.71	20.26	153.62	20.26	145.54	20.26	136.84	20.26	133.62	19.97
	22.00	20.0	174.37	19.13	166.07	18.99	157.77	18.85	151.20	18.72	140.65	18.59	133.62	18.26
	27.00	24.0	178.78	18.00	170.26	17.72	161.75	17.44	151.20	17.17	140.65	16.91	133.62	16.54
	32.00	29.0	178.78	16.87	170.26	16.45	161.75	16.04	151.20	15.63	140.65	15.24	133.62	14.83
	37.00	34.0	178.78	15.75	170.26	15.18	161.75	14.63	151.20	14.09	140.65	13.56	133.62	13.12
	42.00	38.0	178.78	14.62	170.26	13.91	161.75	13.22	151.20	12.55	140.65	11.89	133.62	11.40
	47.00	43.0	182.85	13.49	172.30	12.65	161.75	11.82	151.20	11.00	140.65	10.21	133.62	9.69
	52.00	47.0	182.85	12.50	172.30	11.73	161.75	10.97	151.20	10.23	140.65	9.51	133.62	9.03
	57.00	52.0	182.85	11.45	172.30	10.76	161.75	10.08	151.20	9.41	140.65	8.76	133.62	8.33
	62.00	56.0	182.85	10.73	172.30	10.09	161.75	9.46	151.20	8.84	140.65	8.24	133.62	7.84
	67.00	61.0	182.85	9.94	172.30	9.36	161.75	8.78	151.20	8.22	140.65	7.67	133.62	7.31
72.00	66.0	182.85	9.26	172.30	8.72	161.75	8.20	151.20	7.69	140.65	7.18	133.62	6.85	
75.00	69.0	182.85	8.85	172.30	8.35	161.75	7.85	151.20	7.36	140.65	6.88	133.62	6.57	
50	-3.00	-4.0	111.36	20.79	108.84	20.79	106.04	20.80	103.38	20.80	100.80	20.81	95.76	20.81
	2.00	1.0	118.99	20.66	115.12	20.66	111.04	20.67	107.06	20.67	103.14	20.67	97.99	20.68
	7.00	6.0	129.66	20.52	124.27	20.52	118.72	20.53	113.26	20.53	107.83	20.53	102.44	20.53
	12.00	10.0	140.79	20.41	133.75	20.41	126.64	20.41	119.57	20.41	112.52	20.42	106.89	19.77
	17.00	15.0	152.38	20.26	143.58	20.26	134.79	20.18	126.00	18.63	117.21	17.13	111.35	16.15
	22.00	20.0	152.37	18.73	143.58	18.62	134.79	18.44	126.00	17.05	117.21	15.69	111.35	14.81
	27.00	24.0	152.37	17.20	143.58	16.98	134.79	16.71	126.00	15.47	117.21	14.25	111.35	13.47
	32.00	29.0	152.37	15.68	143.58	15.35	134.79	14.98	126.00	13.88	117.21	12.82	111.35	12.12
	37.00	34.0	152.37	14.15	143.58	13.71	134.79	13.24	126.00	12.30	117.21	11.38	111.35	10.78
	42.00	38.0	152.37	12.62	143.58	12.07	134.79	11.51	126.00	10.72	117.21	9.95	111.35	9.44
	47.00	43.0	152.37	11.09	143.58	10.43	134.79	9.78	126.00	9.14	117.21	8.51	111.35	8.10
	52.00	47.0	152.37	10.31	143.58	9.71	134.79	9.11	126.00	8.53	117.21	7.95	111.35	7.57
	57.00	52.0	152.37	9.48	143.58	8.94	134.79	8.40	126.00	7.87	117.21	7.35	111.35	7.01
	62.00	56.0	152.37	8.91	143.58	8.40	134.79	7.91	126.00	7.42	117.21	6.94	111.35	6.62
	67.00	61.0	152.37	8.28	143.58	7.82	134.79	7.37	126.00	6.92	117.21	6.48	111.35	6.19
72.00	66.0	152.37	7.74	143.58	7.32	134.79	6.90	126.00	6.49	117.21	6.09	111.35	5.82	
75.00	69.0	152.37	7.42	143.58	7.02	134.79	6.62	126.00	6.23	117.21	5.85	111.35	5.60	

Table 73 - 38VMA264HDS5-1, 38VMA264HDS6-1

Connected Capacity Ratio	Outdoor air temp.		Indoor air temp. °F DB											
			61° F		64° F		67° F		70° F		73° F		75° F	
			Tc	PI	Tc	PI	Tc	PI	Tc	PI	Tc	PI	Tc	PI
	°F DB	°F WB	MBH	kW	MBH	kW	MBH	kW	MBH	kW	MBH	kW	MBH	kW
135	-3.00	-4.0	147.25	18.70	146.58	19.22	146.36	19.66	146.05	20.13	145.48	20.51	145.48	20.78
	2.00	1.0	159.02	20.19	158.34	20.59	157.80	20.96	157.21	21.30	157.06	21.55	156.74	21.75
	7.00	6.0	172.98	21.65	172.28	21.95	171.66	22.21	171.47	22.43	170.92	22.59	170.53	22.70
	12.00	10.0	184.27	23.18	183.56	23.35	182.88	23.47	182.66	23.54	182.17	23.62	181.72	23.65
	17.00	15.0	194.41	24.66	193.70	24.66	193.47	24.67	192.54	24.68	192.22	24.68	191.60	24.69
	22.00	20.0	212.78	24.51	212.06	24.52	211.82	24.52	210.86	24.53	210.54	24.54	209.89	24.54
	27.00	24.0	226.17	24.37	225.99	24.37	225.45	24.38	224.98	24.38	224.18	24.39	224.02	24.39
	32.00	29.0	242.57	24.22	242.14	24.23	241.74	24.23	241.04	24.24	240.46	24.24	240.08	24.25
	37.00	34.0	260.73	24.08	260.37	24.08	259.92	24.09	259.28	24.09	258.63	24.10	258.31	24.10
	42.00	38.0	302.74	23.93	302.42	23.94	301.89	23.94	294.33	23.94	293.57	23.95	293.29	23.95
	47.00	43.0	333.79	23.79	326.23	23.79	318.66	23.79	311.09	23.80	303.53	23.80	298.48	23.80
	52.00	47.0	347.21	23.64	339.64	23.65	332.08	23.65	324.51	23.65	316.94	23.66	311.90	23.66
	57.00	52.0	363.98	23.46	356.41	23.46	348.84	23.47	341.28	23.47	333.71	23.47	328.57	23.46
	62.00	56.0	377.39	23.31	369.83	23.32	362.26	23.32	354.69	23.32	345.86	23.18	328.57	21.81
	67.00	61.0	394.16	23.13	386.60	23.13	379.03	23.14	371.46	23.14	345.86	21.27	328.57	20.04
72.00	66.0	410.93	22.95	403.36	22.95	395.80	22.95	371.80	21.36	345.86	19.63	328.57	18.51	
75.00	69.0	420.99	22.84	413.42	22.84	405.86	22.84	372.00	20.30	345.86	18.65	328.57	17.60	
120	-3.00	-4.0	146.36	19.58	146.36	19.92	145.78	20.27	145.48	20.72	144.98	21.05	144.60	21.29
	2.00	1.0	158.12	20.82	157.76	21.12	157.04	21.38	156.74	21.77	156.16	21.99	155.84	22.16
	7.00	6.0	172.05	22.12	171.61	22.28	170.85	22.48	170.53	22.79	170.22	22.90	169.60	23.02
	12.00	10.0	183.33	23.46	182.83	23.51	182.48	23.58	181.72	23.76	181.41	23.80	180.78	23.85
	17.00	15.0	193.47	24.67	192.77	24.67	192.54	24.68	191.60	24.68	191.60	24.69	191.60	24.69
	22.00	20.0	211.82	24.52	211.10	24.53	210.86	24.53	209.89	24.54	209.89	24.54	209.89	24.55
	27.00	24.0	225.22	24.37	225.04	24.38	224.50	24.38	224.02	24.39	223.78	24.40	223.30	24.40
	32.00	29.0	241.61	24.23	241.18	24.23	240.78	24.24	240.08	24.24	239.95	24.25	239.69	24.25
	37.00	34.0	259.76	24.08	259.40	24.09	258.95	24.09	258.79	24.10	265.58	24.10	265.25	24.10
	42.00	38.0	286.99	23.94	286.69	23.94	286.18	23.95	285.98	23.95	279.00	23.95	278.61	23.95
	47.00	43.0	323.71	23.79	316.72	23.80	309.74	23.80	302.75	23.80	295.77	23.81	291.11	23.81
	52.00	47.0	337.12	23.65	330.14	23.65	323.15	23.65	316.17	23.66	309.18	23.66	303.29	23.50
	57.00	52.0	353.89	23.46	346.90	23.47	339.92	23.47	332.94	23.47	319.26	22.67	303.29	21.34
	62.00	56.0	367.30	23.32	360.32	23.32	353.34	23.32	343.20	22.97	319.26	21.09	303.29	19.87
	67.00	61.0	384.07	23.13	377.09	23.14	367.14	22.83	343.20	21.08	319.26	19.38	303.29	18.28
72.00	66.0	400.84	22.95	391.09	22.68	367.14	21.05	343.20	19.46	319.26	17.92	303.29	16.91	
75.00	69.0	410.90	22.84	399.49	22.41	367.14	19.98	343.20	18.49	319.26	17.04	303.29	16.09	
110	-3.00	-4.0	145.48	20.17	145.48	20.59	144.90	20.89	144.60	21.23	144.31	21.52	143.72	21.66
	2.00	1.0	157.21	21.33	156.86	21.62	156.46	21.85	155.84	22.09	155.70	22.35	155.41	22.44
	7.00	6.0	171.12	22.45	170.68	22.65	170.30	22.81	169.60	22.96	169.49	23.13	169.25	23.16
	12.00	10.0	182.39	23.55	181.89	23.70	181.54	23.78	181.45	23.81	180.69	23.92	180.51	23.89
	17.00	15.0	192.54	24.67	192.54	24.68	191.91	24.69	191.60	24.69	190.67	24.70	190.67	24.70
	22.00	20.0	210.86	24.53	210.13	24.53	209.89	24.54	209.89	24.54	208.93	24.55	208.93	24.42
	27.00	24.0	224.98	24.38	224.44	24.39	224.10	24.39	223.30	24.40	222.82	24.40	222.35	24.14
	32.00	29.0	241.04	24.24	240.75	24.24	240.27	24.24	239.69	24.25	239.11	24.25	239.11	23.86
	37.00	34.0	259.28	24.09	258.91	24.09	258.47	24.10	257.82	24.10	256.85	24.10	255.88	23.57
	42.00	38.0	279.21	23.94	278.77	23.95	278.36	23.95	277.64	23.95	271.24	23.96	264.19	23.29
	47.00	43.0	313.62	23.80	307.21	23.80	300.81	23.80	294.41	23.81	288.01	23.81	278.02	23.01
	52.00	47.0	327.03	23.65	320.63	23.65	314.23	23.66	307.82	23.66	292.65	22.52	278.02	21.21
	57.00	52.0	343.80	23.47	337.40	23.47	331.00	23.47	314.60	22.28	292.65	20.47	278.02	19.30
	62.00	56.0	357.22	23.32	350.81	23.32	336.55	22.44	314.60	20.73	292.65	19.07	278.02	17.99
	67.00	61.0	373.98	23.14	358.50	22.19	336.55	20.60	314.60	19.06	292.65	17.55	278.02	16.58
72.00	66.0	380.45	21.95	358.50	20.47	336.55	19.03	314.60	17.62	292.65	16.25	278.02	15.36	
75.00	69.0	384.32	21.24	358.50	19.44	336.55	18.08	314.60	16.76	292.65	15.47	278.02	14.63	
100	-3.00	-4.0	145.17	20.91	144.74	21.16	144.60	21.38	143.72	21.72	143.72	21.94	143.72	23.04
	2.00	1.0	156.31	21.88	155.96	22.05	155.84	22.19	155.41	22.49	154.94	22.63	154.94	23.77
	7.00	6.0	170.53	22.82	169.84	22.93	169.60	23.03	169.25	23.26	168.67	23.34	168.67	24.51
	12.00	10.0	181.72	23.77	181.52	23.80	181.00	23.85	180.51	24.00	180.29	24.03	179.84	25.23
	17.00	15.0	191.60	24.68	191.60	24.69	190.98	24.69	190.67	24.70	190.36	24.70	189.73	24.71
	22.00	20.0	209.89	24.54	209.89	24.54	209.25	24.55	208.93	24.55	208.61	24.23	207.97	24.02
	27.00	24.0	224.02	24.39	223.48	24.39	223.14	24.40	222.35	24.40	222.27	23.75	222.11	23.33
	32.00	29.0	240.08	24.24	239.79	24.25	239.31	24.25	239.11	24.25	237.00	23.28	233.55	22.64
	37.00	34.0	258.31	24.10	257.94	24.10	257.50	24.10	255.88	24.10	246.19	22.80	237.47	21.95
	42.00	38.0	283.46	23.95	283.01	23.95	278.61	23.95	269.30	23.95	254.34	22.32	244.36	21.27
	47.00	43.0	311.35	23.80	304.43	23.80	291.89	23.81	286.00	23.80	266.05	21.85	252.74	20.58
	52.00	47.0	326.68	23.66	311.12	23.66	305.30	23.66	286.00	21.92	266.05	20.15	252.74	19.00
	57.00	52.0	333.71	23.47	325.91	23.23	305.95	21.56	286.00	19.93	266.05	18.35	252.74	17.32
	62.00	56.0	345.86	23.18	325.91	21.61	305.95	20.07	286.00	18.58	266.05	17.12	252.74	16.18
	67.00	61.0	345.86	21.27	325.91	19.85	305.95	18.46	286.00	17.11	266.05	15.79	252.74	14.93
72.00	66.0	345.86	19.63	325.91	18.34	305.95	17.08	286.00	15.85	266.05	14.64	252.74	13.86	
75.00	69.0	345.86	18.65	325.91	17.43	305.95	16.25	286.00	15.09	266.05	13.96	252.74	13.22	

Connected Capacity Ratio	Outdoor air temp.		Indoor air temp. °F DB											
			61°F		64°F		67°F		70°F		73°F		75°F	
			Tc	PI	Tc	PI	Tc	PI	Tc	PI	Tc	PI	Tc	PI
	°F DB	°F WB	MBH	kW	MBH	kW	MBH	kW	MBH	kW	MBH	kW	MBH	kW
90	-3.00	-4.0	143.16	23.00	142.50	23.28	142.28	23.52	142.28	23.89	141.41	24.13	141.41	25.34
	2.00	1.0	151.63	24.07	151.31	24.26	150.90	24.41	150.75	24.73	150.18	24.90	149.87	26.14
	7.00	6.0	163.38	24.99	163.13	25.00	162.67	25.01	162.48	25.01	161.96	25.02	161.59	25.02
	12.00	10.0	174.20	24.86	174.00	24.87	173.51	24.87	173.29	24.88	172.82	24.88	172.39	24.89
	17.00	15.0	185.86	24.69	185.86	24.70	185.86	24.70	184.95	24.71	184.95	24.71	184.95	24.71
	22.00	20.0	195.21	24.54	195.21	24.55	194.61	24.38	194.31	24.09	195.35	23.81	191.86	23.64
	27.00	24.0	205.44	24.40	204.94	24.40	204.78	24.05	204.56	23.48	208.77	22.92	205.27	22.56
	32.00	29.0	237.06	24.25	236.77	24.25	235.41	23.73	230.77	22.86	225.53	22.02	222.04	21.48
	37.00	34.0	270.46	24.10	267.02	24.10	259.77	23.40	247.54	22.25	239.44	21.13	227.47	20.40
	42.00	38.0	295.53	23.95	284.41	23.96	271.52	23.08	257.40	21.63	239.44	20.23	227.47	19.32
	47.00	43.0	302.64	23.81	288.20	23.81	275.36	22.75	257.40	21.02	239.44	19.34	227.47	18.24
	52.00	47.0	306.85	23.66	293.32	22.58	275.36	20.97	257.40	19.40	239.44	17.87	227.47	16.88
	57.00	52.0	311.27	22.00	293.32	20.53	275.36	19.08	257.40	17.68	239.44	16.31	227.47	15.42
	62.00	56.0	311.27	20.48	293.32	19.12	275.36	17.80	257.40	16.50	239.44	15.25	227.47	14.43
	67.00	61.0	311.27	18.83	293.32	17.60	275.36	16.40	257.40	15.23	239.44	14.09	227.47	13.34
72.00	66.0	311.27	17.41	293.32	16.29	275.36	15.20	257.40	14.13	239.44	13.09	227.47	12.41	
75.00	69.0	311.27	16.56	293.32	15.51	275.36	14.48	257.40	13.48	239.44	12.49	227.47	11.85	
80	-3.00	-4.0	141.73	25.30	141.08	25.61	140.86	25.87	140.86	26.28	140.57	26.55	139.99	25.35
	2.00	1.0	147.08	26.48	146.78	26.68	146.38	26.85	146.23	27.21	146.09	27.39	145.82	25.20
	7.00	6.0	156.85	25.01	156.61	25.01	156.16	25.02	155.98	25.02	155.88	25.03	155.66	25.03
	12.00	10.0	170.72	24.87	170.53	24.88	170.46	24.88	169.83	24.89	169.74	24.89	169.57	24.90
	17.00	15.0	184.00	24.70	183.32	24.71	183.10	24.71	183.10	24.71	180.39	24.72	180.32	24.72
	22.00	20.0	193.14	24.40	193.14	24.14	193.14	23.90	192.25	23.65	182.41	23.42	175.26	23.27
	27.00	24.0	221.37	24.09	220.12	23.58	215.42	23.08	205.66	22.60	201.00	22.12	193.12	21.82
	32.00	29.0	253.94	23.79	245.75	23.02	234.79	22.27	222.43	21.54	212.84	20.83	202.20	20.36
	37.00	34.0	266.93	23.49	254.22	22.46	241.51	21.46	228.80	20.48	212.84	19.53	202.20	18.91
	42.00	38.0	266.93	23.18	254.22	21.90	241.51	20.64	228.80	19.42	212.84	18.23	202.20	17.46
	47.00	43.0	266.93	22.88	254.22	21.34	241.51	19.83	228.80	18.36	212.84	16.94	202.20	16.01
	52.00	47.0	266.93	21.09	254.22	19.69	241.51	18.32	228.80	16.98	212.84	15.69	202.20	14.84
	57.00	52.0	266.93	19.19	254.22	17.94	241.51	16.71	228.80	15.52	212.84	14.36	202.20	13.60
	62.00	56.0	266.93	17.89	254.22	16.74	241.51	15.62	228.80	14.52	212.84	13.44	202.20	12.74
	67.00	61.0	266.93	16.49	254.22	15.45	241.51	14.42	228.80	13.43	212.84	12.45	202.20	11.81
72.00	66.0	266.93	15.28	254.22	14.33	241.51	13.40	228.80	12.49	212.84	11.59	202.20	11.01	
75.00	69.0	266.93	14.56	254.22	13.66	241.51	12.78	228.80	11.92	212.84	11.08	202.20	10.53	
70	-3.00	-4.0	140.32	25.32	140.32	25.33	139.74	25.34	139.45	25.35	139.45	25.36	139.45	25.37
	2.00	1.0	145.62	25.18	145.62	25.19	145.35	25.19	144.76	25.20	144.17	25.21	144.41	25.21
	7.00	6.0	155.29	25.02	155.29	25.02	155.07	25.03	154.42	25.03	151.98	25.04	151.35	25.04
	12.00	10.0	170.95	24.88	170.95	24.89	170.78	24.89	168.13	24.90	160.15	24.90	158.80	24.90
	17.00	15.0	190.76	24.71	190.06	24.71	186.06	24.72	177.60	24.72	167.89	24.72	166.48	24.73
	22.00	20.0	210.18	23.86	202.88	23.65	193.96	23.44	183.90	23.24	179.83	23.04	176.92	22.92
	27.00	24.0	229.68	23.00	218.72	22.58	208.11	22.16	197.32	21.76	186.23	21.36	176.92	21.11
	32.00	29.0	233.04	22.15	221.91	21.51	211.15	20.89	200.20	20.28	186.23	19.68	176.92	19.30
	37.00	34.0	233.04	21.29	221.91	20.44	211.15	19.61	200.20	18.80	186.23	18.00	176.92	17.49
	42.00	38.0	233.04	20.44	221.91	19.37	211.15	18.33	200.20	17.32	186.23	16.32	176.92	15.68
	47.00	43.0	233.04	19.58	221.91	18.30	211.15	17.05	200.20	15.83	186.23	14.64	176.92	13.87
	52.00	47.0	233.04	18.09	221.91	16.93	211.15	15.79	200.20	14.68	186.23	13.60	176.92	12.89
	57.00	52.0	233.04	16.51	221.91	15.47	211.15	14.45	200.20	13.46	186.23	12.48	176.92	11.84
	62.00	56.0	233.04	15.43	221.91	14.47	211.15	13.53	200.20	12.61	186.23	11.71	176.92	11.12
	67.00	61.0	233.04	14.26	221.91	13.39	211.15	12.53	200.20	11.69	186.23	10.87	176.92	10.34
72.00	66.0	233.04	13.24	221.91	12.45	211.15	11.67	200.20	10.90	186.23	10.15	176.92	9.66	
75.00	69.0	233.04	12.64	221.91	11.89	211.15	11.15	200.20	10.42	186.23	9.71	176.92	9.25	
60	-3.00	-4.0	133.62	25.35	130.99	25.35	128.04	25.36	125.25	25.37	122.42	25.38	121.37	25.38
	2.00	1.0	144.94	25.20	140.90	25.20	136.62	25.21	132.46	25.21	128.11	25.22	126.51	25.22
	7.00	6.0	160.11	25.03	154.49	25.04	148.69	25.04	142.97	25.04	136.92	25.05	134.68	25.05
	12.00	10.0	176.03	24.89	168.69	24.90	161.26	24.90	153.88	24.91	145.98	24.91	143.06	24.91
	17.00	15.0	192.70	24.72	183.52	24.72	174.35	24.72	165.17	24.73	155.30	24.73	151.65	24.37
	22.00	20.0	197.90	23.34	188.48	23.17	179.05	23.01	171.60	22.84	159.63	22.69	151.65	22.28
	27.00	24.0	202.90	21.97	193.23	21.63	183.57	21.29	171.60	20.96	159.63	20.64	151.65	20.19
	32.00	29.0	202.90	20.59	193.23	20.08	183.57	19.57	171.60	19.08	159.63	18.60	151.65	18.10
	37.00	34.0	202.90	19.22	193.23	18.53	183.57	17.86	171.60	17.20	159.63	16.55	151.65	16.01
	42.00	38.0	202.90	17.84	193.23	16.98	183.57	16.14	171.60	15.31	159.63	14.51	151.65	13.92
	47.00	43.0	207.52	16.47	195.54	15.43	183.57	14.42	171.60	13.43	159.63	12.46	151.65	11.83
	52.00	47.0	207.52	15.26	195.54	14.32	183.57	13.39	171.60	12.49	159.63	11.60	151.65	11.02
	57.00	52.0	207.52	13.97	195.54	13.13	183.57	12.30	171.60	11.48	159.63	10.69	151.65	10.16
	62.00	56.0	207.52	13.09	195.54	12.31	183.57	11.54	171.60	10.79	159.63	10.05	151.65	9.57
	67.00	61.0	207.52	12.13	195.54	11.42	183.57	10.72	171.60	10.03	159.63	9.36	151.65	8.92
72.00	66.0	207.52	11.30	195.54	10.65	183.57	10.01	171.60	9.38	159.63	8.76	151.65	8.36	
75.00	69.0	207.52	10.80	195.54	10.19	183.57	9.58	171.60	8.99	159.63	8.40	151.65	8.02	
50	-3.00	-4.0	126.39	25.37	123.53	25.37	120.35	25.38	117.33	25.39	114.40	25.39	108.68	25.40
	2.00	1.0	135.04	25.21	130.65	25.22	126.02	25.22	121.51	25.23	117.06	25.23	111.21	25.23

Connected Capacity Ratio	Outdoor air temp.		Indoor air temp. °F DB											
			61°F		64°F		67°F		70°F		73°F		75°F	
			Tc	PI	Tc	PI	Tc	PI	Tc	PI	Tc	PI	Tc	PI
	°F DB	°F WB	MBH	kW	MBH	kW	MBH	kW	MBH	kW	MBH	kW	MBH	kW
	7.00	6.0	147.15	25.04	141.03	25.05	134.74	25.05	128.54	25.05	122.38	25.06	116.26	25.06
	12.00	10.0	159.78	24.90	151.80	24.91	143.73	24.91	135.70	24.91	127.70	24.92	121.32	24.13
	17.00	15.0	172.93	24.73	162.95	24.73	152.98	24.63	143.00	22.74	133.02	20.90	126.37	19.71
	22.00	20.0	172.93	22.86	162.95	22.73	152.98	22.51	143.00	20.81	133.02	19.15	126.37	18.07
	27.00	24.0	172.93	21.00	162.95	20.73	152.98	20.40	143.00	18.88	133.02	17.40	126.37	16.44
	32.00	29.0	172.93	19.13	162.95	18.73	152.98	18.28	143.00	16.95	133.02	15.65	126.37	14.80
	37.00	34.0	172.93	17.27	162.95	16.73	152.98	16.16	143.00	15.01	133.02	13.89	126.37	13.16
	42.00	38.0	172.93	15.40	162.95	14.73	152.98	14.05	143.00	13.08	133.02	12.14	126.37	11.52
	47.00	43.0	172.93	13.54	162.95	12.73	152.98	11.93	143.00	11.15	133.02	10.39	126.37	9.89
	52.00	47.0	172.93	12.59	162.95	11.85	152.98	11.12	143.00	10.41	133.02	9.70	126.37	9.24
	57.00	52.0	172.93	11.57	162.95	10.91	152.98	10.25	143.00	9.61	133.02	8.97	126.37	8.56
	62.00	56.0	172.93	10.87	162.95	10.26	152.98	9.65	143.00	9.05	133.02	8.47	126.37	8.08
	67.00	61.0	172.93	10.11	162.95	9.55	152.98	8.99	143.00	8.45	133.02	7.91	126.37	7.56
	72.00	66.0	172.93	9.45	162.95	8.93	152.98	8.42	143.00	7.92	133.02	7.43	126.37	7.10
	75.00	69.0	172.93	9.05	162.95	8.56	152.98	8.08	143.00	7.61	133.02	7.14	126.37	6.83

Table 74 - 38VMA288HDS5-1, 38VMA288HDS6-1

Connected Capacity Ratio	Outdoor air temp.		Indoor air temp. °F DB											
			61°F		64°F		67°F		70°F		73°F		75°F	
			Tc	PI	Tc	PI	Tc	PI	Tc	PI	Tc	PI	Tc	PI
	°F DB	°F WB	MBH	kW	MBH	kW	MBH	kW	MBH	kW	MBH	kW	MBH	kW
135	-3.00	-4.0	164.75	20.74	164.01	21.32	163.76	21.81	163.41	22.33	162.78	22.75	162.78	23.05
	2.00	1.0	177.92	22.40	177.17	22.84	176.56	23.25	175.90	23.63	175.73	23.91	175.38	24.13
	7.00	6.0	193.55	24.01	192.76	24.34	192.07	24.63	191.85	24.88	191.24	25.06	190.81	25.18
	12.00	10.0	206.17	25.71	205.38	25.90	204.62	26.04	204.37	26.11	203.82	26.20	203.32	26.24
	17.00	15.0	217.52	27.35	216.73	27.36	216.47	27.37	215.42	27.37	215.08	27.38	214.38	27.38
	22.00	20.0	238.08	27.19	237.27	27.20	237.00	27.20	235.92	27.21	235.56	27.22	234.85	27.22
	27.00	24.0	253.06	27.03	252.86	27.04	252.26	27.04	251.72	27.05	250.83	27.05	250.65	27.06
	32.00	29.0	271.41	26.87	270.93	26.87	270.48	26.88	269.69	26.89	269.05	26.89	268.62	26.89
	37.00	34.0	291.73	26.71	291.32	26.71	290.82	26.72	290.10	26.72	289.38	26.73	289.01	26.73
	42.00	38.0	338.73	26.55	338.37	26.55	337.78	26.56	329.32	26.56	328.47	26.56	328.16	26.57
	47.00	43.0	373.48	26.39	365.01	26.39	356.54	26.39	348.08	26.40	339.61	26.40	333.97	26.40
	52.00	47.0	388.49	26.23	380.02	26.23	371.55	26.23	363.09	26.24	354.62	26.24	348.98	26.24
	57.00	52.0	407.25	26.02	398.78	26.03	390.32	26.03	381.85	26.03	373.38	26.04	367.63	26.02
	62.00	56.0	422.26	25.86	413.79	25.86	405.33	25.87	396.86	25.87	386.98	25.71	367.63	24.20
	67.00	61.0	441.02	25.66	432.55	25.66	424.09	25.66	415.62	25.67	386.98	23.59	367.63	22.22
72.00	66.0	459.78	25.45	451.32	25.46	442.85	25.46	416.00	23.70	386.98	21.78	367.63	20.53	
75.00	69.0	471.04	25.33	462.57	25.33	454.11	25.34	416.23	22.51	386.98	20.69	367.63	19.52	
120	-3.00	-4.0	163.76	21.72	163.76	22.09	163.11	22.48	162.78	22.98	162.22	23.35	161.79	23.61
	2.00	1.0	176.91	23.10	176.52	23.43	175.71	23.72	175.38	24.15	174.72	24.39	174.37	24.58
	7.00	6.0	192.50	24.54	192.01	24.72	191.16	24.93	190.81	25.28	190.46	25.40	189.77	25.53
	12.00	10.0	205.12	26.02	204.56	26.08	204.17	26.16	203.32	26.35	202.97	26.40	202.27	26.45
	17.00	15.0	216.47	27.36	215.69	27.37	215.42	27.37	214.38	27.38	214.38	27.39	214.38	27.39
	22.00	20.0	237.00	27.20	236.19	27.21	235.92	27.21	234.85	27.22	234.85	27.22	234.85	27.23
	27.00	24.0	251.99	27.04	251.79	27.04	251.19	27.05	250.65	27.05	250.38	27.06	249.85	27.06
	32.00	29.0	270.33	26.88	269.85	26.88	269.40	26.89	268.62	26.89	268.47	26.90	268.19	26.90
	37.00	34.0	290.64	26.71	290.23	26.72	289.74	26.72	289.56	26.73	297.16	26.73	296.79	26.74
	42.00	38.0	321.11	26.55	320.77	26.56	320.21	26.56	319.98	26.57	312.17	26.57	311.73	26.57
	47.00	43.0	362.19	26.39	354.37	26.40	346.56	26.40	338.74	26.40	330.93	26.41	325.72	26.41
	52.00	47.0	377.20	26.23	369.38	26.23	361.57	26.24	353.75	26.24	345.94	26.24	339.35	26.07
	57.00	52.0	395.96	26.03	388.15	26.03	380.33	26.03	372.52	26.04	357.21	25.15	339.35	23.67
	62.00	56.0	410.97	25.86	403.15	25.87	395.34	25.87	384.00	25.48	357.21	23.39	339.35	22.04
	67.00	61.0	429.73	25.66	421.92	25.66	410.79	25.32	384.00	23.38	357.21	21.50	339.35	20.27
72.00	66.0	448.49	25.46	437.58	25.16	410.79	23.35	384.00	21.58	357.21	19.87	339.35	18.76	
75.00	69.0	459.75	25.33	446.98	24.85	410.79	22.16	384.00	20.51	357.21	18.90	339.35	17.85	
110	-3.00	-4.0	162.78	22.38	162.78	22.83	162.12	23.17	161.79	23.55	161.46	23.87	160.81	24.03
	2.00	1.0	175.90	23.66	175.51	23.98	175.06	24.24	174.37	24.51	174.21	24.80	173.89	24.89
	7.00	6.0	191.46	24.90	190.97	25.12	190.55	25.30	189.77	25.47	189.64	25.65	189.37	25.69
	12.00	10.0	204.07	26.12	203.51	26.29	203.12	26.37	203.02	26.41	202.17	26.54	201.97	26.50
	17.00	15.0	215.42	27.37	215.42	27.38	214.73	27.38	214.38	27.39	213.33	27.39	213.33	27.40
	22.00	20.0	235.92	27.21	235.12	27.21	234.85	27.22	234.85	27.22	233.77	27.23	233.77	27.09
	27.00	24.0	251.72	27.05	251.12	27.05	250.74	27.06	249.85	27.06	249.31	27.07	248.78	26.77
	32.00	29.0	269.69	26.88	269.37	26.89	268.83	26.89	268.19	26.90	267.54	26.90	267.54	26.46
	37.00	34.0	290.10	26.72	289.69	26.73	289.20	26.73	288.47	26.73	287.39	26.74	286.30	26.15
	42.00	38.0	312.40	26.56	311.91	26.56	311.45	26.57	310.65	26.57	303.48	26.57	295.60	25.84
47.00	43.0	350.90	26.40	343.74	26.40	336.57	26.40	329.41	26.41	322.25	26.41	311.07	25.53	
52.00	47.0	365.91	26.23	358.75	26.24	351.58	26.24	344.42	26.24	327.44	24.98	311.07	23.52	

Connected Capacity Ratio	Outdoor air temp.		Indoor air temp. °F DB											
			61°F		64°F		67°F		70°F		73°F		75°F	
			Tc	PI	Tc	PI	Tc	PI	Tc	PI	Tc	PI	Tc	PI
	°F DB	°F WB	MBH	kW	MBH	kW	MBH	kW	MBH	kW	MBH	kW	MBH	kW
100	57.00	52.0	384.67	26.03	377.51	26.03	370.34	26.04	352.00	24.72	327.44	22.71	311.07	21.40
	62.00	56.0	399.68	25.87	392.52	25.87	376.56	24.89	352.00	23.00	327.44	21.15	311.07	19.95
	67.00	61.0	418.44	25.66	401.12	24.61	376.56	22.85	352.00	21.14	327.44	19.47	311.07	18.39
	72.00	66.0	425.67	24.35	401.12	22.70	376.56	21.10	352.00	19.55	327.44	18.03	311.07	17.04
	75.00	69.0	430.01	23.56	401.12	21.56	376.56	20.06	352.00	18.59	327.44	17.16	311.07	16.23
	-3.00	-4.0	162.43	23.20	161.95	23.48	161.79	23.72	160.81	24.09	160.81	24.34	160.81	25.55
	2.00	1.0	174.90	24.27	174.50	24.46	174.37	24.61	173.89	24.94	173.36	25.11	173.36	26.36
	7.00	6.0	190.81	25.32	190.03	25.44	189.77	25.55	189.37	25.81	188.72	25.89	188.72	27.19
	12.00	10.0	203.32	26.37	203.10	26.40	202.52	26.46	201.97	26.62	201.72	26.65	201.22	27.99
	17.00	15.0	214.38	27.38	214.38	27.39	213.68	27.39	213.33	27.40	212.98	27.40	212.29	27.41
	22.00	20.0	234.85	27.22	234.85	27.22	234.13	27.23	233.77	27.23	233.41	26.87	232.69	26.64
	27.00	24.0	250.65	27.05	250.05	27.06	249.67	27.06	248.78	27.06	248.69	26.35	248.51	25.88
	32.00	29.0	268.62	26.89	268.29	26.90	267.76	26.90	267.54	26.90	265.18	25.82	261.31	25.12
	37.00	34.0	289.01	26.73	288.61	26.73	288.11	26.74	286.30	26.73	275.46	25.29	265.70	24.35
	42.00	38.0	317.16	26.56	316.66	26.57	311.73	26.57	301.31	26.57	284.57	24.76	273.41	23.59
47.00	43.0	348.36	26.40	340.62	26.40	326.59	26.41	320.00	26.40	297.67	24.23	282.79	22.83	
52.00	47.0	365.51	26.24	348.11	26.24	341.60	26.24	320.00	24.31	297.67	22.35	282.79	21.07	
57.00	52.0	373.38	26.04	364.65	25.77	342.33	23.92	320.00	22.11	297.67	20.36	282.79	19.21	
62.00	56.0	386.98	25.71	364.65	23.97	342.33	22.26	320.00	20.61	297.67	18.99	282.79	17.94	
67.00	61.0	386.98	23.59	364.65	22.02	342.33	20.48	320.00	18.98	297.67	17.52	282.79	16.56	
72.00	66.0	386.98	21.78	364.65	20.34	342.33	18.94	320.00	17.58	297.67	16.24	282.79	15.37	
75.00	69.0	386.98	20.69	364.65	19.34	342.33	18.02	320.00	16.74	297.67	15.48	282.79	14.66	
90	-3.00	-4.0	160.17	25.52	159.44	25.82	159.20	26.09	159.20	26.50	158.22	26.77	158.22	28.11
	2.00	1.0	169.65	26.70	169.30	26.91	168.84	27.08	168.67	27.44	168.03	27.62	167.69	29.00
	7.00	6.0	182.80	27.73	182.52	27.73	182.01	27.74	181.80	27.75	181.21	27.75	180.79	27.76
	12.00	10.0	194.91	27.58	194.69	27.59	194.13	27.59	193.89	27.60	193.36	27.60	192.88	27.61
	17.00	15.0	207.95	27.39	207.95	27.39	207.95	27.40	206.93	27.40	206.93	27.41	206.93	27.41
	22.00	20.0	218.41	27.23	218.41	27.23	217.74	27.04	217.41	26.72	218.57	26.42	214.67	26.22
	27.00	24.0	229.86	27.06	229.31	27.07	229.12	26.68	228.88	26.04	233.58	25.42	229.68	25.02
	32.00	29.0	265.24	26.90	264.92	26.90	263.39	26.32	258.21	25.36	252.35	24.43	248.44	23.82
	37.00	34.0	302.61	26.73	298.77	26.74	290.65	25.96	276.97	24.68	267.91	23.44	254.51	22.63
	42.00	38.0	330.67	26.57	318.22	26.57	303.80	25.60	288.00	24.00	267.91	22.44	254.51	21.43
	47.00	43.0	338.62	26.41	322.46	26.41	308.09	25.24	288.00	23.32	267.91	21.45	254.51	20.24
	52.00	47.0	343.33	26.24	328.19	25.05	308.09	23.26	288.00	21.52	267.91	19.82	254.51	18.72
	57.00	52.0	348.28	24.41	328.19	22.77	308.09	21.17	288.00	19.61	267.91	18.10	254.51	17.11
	62.00	56.0	348.28	22.71	328.19	21.21	308.09	19.74	288.00	18.31	267.91	16.91	254.51	16.00
	67.00	61.0	348.28	20.88	328.19	19.52	308.09	18.19	288.00	16.89	267.91	15.63	254.51	14.80
72.00	66.0	348.28	19.31	328.19	18.07	308.09	16.86	288.00	15.68	267.91	14.52	254.51	13.77	
75.00	69.0	348.28	18.37	328.19	17.20	308.09	16.06	288.00	14.95	267.91	13.86	254.51	13.14	
80	-3.00	-4.0	158.58	28.07	157.85	28.40	157.61	28.70	157.61	29.15	157.28	29.45	156.63	28.12
	2.00	1.0	164.57	29.37	164.23	29.60	163.78	29.78	163.61	30.18	163.46	30.38	163.15	27.95
	7.00	6.0	175.50	27.74	175.22	27.75	174.73	27.75	174.53	27.76	174.41	27.76	174.16	27.77
	12.00	10.0	191.01	27.59	190.80	27.60	190.73	27.60	190.02	27.61	189.92	27.61	189.73	27.62
	17.00	15.0	205.87	27.40	205.12	27.40	204.86	27.41	204.86	27.41	201.84	27.42	201.76	27.42
	22.00	20.0	216.10	27.06	216.10	26.78	216.10	26.51	215.10	26.24	204.10	25.98	196.09	25.81
	27.00	24.0	247.69	26.73	246.29	26.16	241.03	25.60	230.11	25.07	224.90	24.54	216.08	24.20
	32.00	29.0	284.13	26.39	274.97	25.54	262.70	24.70	248.87	23.89	238.14	23.10	226.23	22.59
	37.00	34.0	298.67	26.05	284.44	24.91	270.22	23.80	256.00	22.72	238.14	21.66	226.23	20.98
	42.00	38.0	298.67	25.72	284.44	24.29	270.22	22.90	256.00	21.54	238.14	20.23	226.23	19.37
	47.00	43.0	298.67	25.38	284.44	23.67	270.22	22.00	256.00	20.37	238.14	18.79	226.23	17.76
	52.00	47.0	298.67	23.39	284.44	21.84	270.22	20.32	256.00	18.84	238.14	17.40	226.23	16.46
	57.00	52.0	298.67	21.29	284.44	19.90	270.22	18.54	256.00	17.22	238.14	15.92	226.23	15.08
	62.00	56.0	298.67	19.85	284.44	18.57	270.22	17.32	256.00	16.10	238.14	14.91	226.23	14.13
	67.00	61.0	298.67	18.29	284.44	17.13	270.22	16.00	256.00	14.89	238.14	13.81	226.23	13.10
72.00	66.0	298.67	16.95	284.44	15.89	270.22	14.86	256.00	13.85	238.14	12.86	226.23	12.21	
75.00	69.0	298.67	16.15	284.44	15.15	270.22	14.18	256.00	13.22	238.14	12.29	226.23	11.68	
70	-3.00	-4.0	157.00	28.09	157.00	28.10	156.35	28.11	156.03	28.12	156.03	28.13	156.03	28.14
	2.00	1.0	162.93	27.93	162.93	27.94	162.62	27.95	161.97	27.95	161.31	27.96	161.58	27.97
	7.00	6.0	173.75	27.75	173.75	27.76	173.51	27.76	172.78	27.77	170.05	27.77	169.35	27.78
	12.00	10.0	191.27	27.60	191.27	27.61	191.08	27.61	188.12	27.62	179.19	27.62	177.67	27.62
	17.00	15.0	213.44	27.41	212.65	27.41	208.18	27.42	198.72	27.42	187.85	27.42	186.27	27.43
	22.00	20.0	235.16	26.46	227.00	26.23	217.02	26.00	205.77	25.78	201.21	25.56	197.95	25.42
	27.00	24.0	256.99	25.51	244.72	25.04	232.85	24.58	220.78	24.14	208.37	23.70	197.95	23.41
	32.00	29.0	260.74	24.57	248.30	23.86	236.25	23.17	224.00	22.49	208.37	21.83	197.95	21.41
	37.00	34.0	260.74	23.62	248.30	22.67	236.25	21.75	224.00	20.85	208.37	19.97	197.95	19.40
	42.00	38.0	260.74	22.67	248.30	21.49	236.25	20.33	224.00	19.21	208.37	18.11	197.95	17.39
	47.00	43.0	260.74	21.72	248.30	20.30	236.25	18.92	224.00	17.56	208.37	16.24	197.95	15.38
	52.00	47.0	260.74	20.07	248.30	18.78	236.25	17.52	224.00	16.29	208.37	15.08	197.95	14.30
	57.00	52.0	260.74	18.32	248.30	17.16	236.25	16.03	224.00	14.93	208.37	13.84	197.95	13.14
	62.00	56.0	260.74	17.12	248.30	16.05	236.25	15.01	224.00	13.99	208.37	12.99	197.95	12.34

Connected Capacity Ratio	Outdoor air temp.		Indoor air temp. °F DB											
			61°F		64°F		67°F		70°F		73°F		75°F	
			Tc	PI	Tc	PI	Tc	PI	Tc	PI	Tc	PI	Tc	PI
	°F DB	°F WB	MBH	kW	MBH	kW	MBH	kW	MBH	kW	MBH	kW	MBH	kW
	67.00	61.0	260.74	15.81	248.30	14.85	236.25	13.90	224.00	12.97	208.37	12.06	197.95	11.47
	72.00	66.0	260.74	14.69	248.30	13.81	236.25	12.94	224.00	12.09	208.37	11.26	197.95	10.71
	75.00	69.0	260.74	14.02	248.30	13.18	236.25	12.37	224.00	11.56	208.37	10.78	197.95	10.26
60	-3.00	-4.0	149.51	28.12	146.56	28.12	143.26	28.13	140.14	28.14	136.97	28.15	135.80	28.15
	2.00	1.0	162.17	27.95	157.65	27.96	152.86	27.96	148.20	27.97	143.34	27.97	141.55	27.98
	7.00	6.0	179.15	27.77	172.85	27.77	166.36	27.78	159.97	27.78	153.19	27.79	150.69	27.79
	12.00	10.0	196.96	27.61	188.75	27.62	180.43	27.62	172.17	27.63	163.33	27.63	160.06	27.63
	17.00	15.0	215.61	27.42	205.34	27.42	195.07	27.43	184.81	27.43	173.76	27.43	169.67	27.04
	22.00	20.0	221.43	25.89	210.88	25.71	200.34	25.52	192.00	25.34	178.60	25.16	169.67	24.72
	27.00	24.0	227.02	24.37	216.21	23.99	205.40	23.62	192.00	23.25	178.60	22.90	169.67	22.40
	32.00	29.0	227.02	22.84	216.21	22.27	205.40	21.71	192.00	21.16	178.60	20.63	169.67	20.08
	37.00	34.0	227.02	21.32	216.21	20.55	205.40	19.81	192.00	19.08	178.60	18.36	169.67	17.76
	42.00	38.0	227.02	19.79	216.21	18.84	205.40	17.90	192.00	16.99	178.60	16.09	169.67	15.44
	47.00	43.0	232.19	18.27	218.79	17.12	205.40	16.00	192.00	14.90	178.60	13.82	169.67	13.12
	52.00	47.0	232.19	16.93	218.79	15.88	205.40	14.86	192.00	13.85	178.60	12.87	169.67	12.23
	57.00	52.0	232.19	15.50	218.79	14.56	205.40	13.64	192.00	12.74	178.60	11.85	169.67	11.27
	62.00	56.0	232.19	14.52	218.79	13.65	205.40	12.80	192.00	11.97	178.60	11.15	169.67	10.61
	67.00	61.0	232.19	13.46	218.79	12.67	205.40	11.89	192.00	11.13	178.60	10.38	169.67	9.89
	72.00	66.0	232.19	12.53	218.79	11.81	205.40	11.10	192.00	10.40	178.60	9.72	169.67	9.27
	75.00	69.0	232.19	11.98	218.79	11.30	205.40	10.63	192.00	9.97	178.60	9.32	169.67	8.89
50	-3.00	-4.0	141.41	28.14	138.21	28.15	134.66	28.15	131.28	28.16	128.00	28.17	121.60	28.17
	2.00	1.0	151.09	27.97	146.18	27.97	141.00	27.98	135.95	27.98	130.98	27.99	124.43	27.99
	7.00	6.0	164.65	27.78	157.80	27.78	150.76	27.79	143.82	27.79	136.93	27.80	130.08	27.80
	12.00	10.0	178.78	27.63	169.85	27.63	160.82	27.63	151.84	27.64	142.88	27.64	135.74	27.66
	17.00	15.0	193.49	27.43	182.33	27.43	171.16	27.32	160.00	25.22	148.84	23.19	141.40	21.86
	22.00	20.0	193.49	25.36	182.33	25.21	171.16	24.97	160.00	23.08	148.84	21.24	141.40	20.05
	27.00	24.0	193.49	23.29	182.33	22.99	171.16	22.62	160.00	20.94	148.84	19.30	141.40	18.23
	32.00	29.0	193.49	21.22	182.33	20.78	171.16	20.28	160.00	18.80	148.84	17.35	141.40	16.42
	37.00	34.0	193.49	19.16	182.33	18.56	171.16	17.93	160.00	16.65	148.84	15.41	141.40	14.60
	42.00	38.0	193.49	17.09	182.33	16.34	171.16	15.58	160.00	14.51	148.84	13.47	141.40	12.78
	47.00	43.0	193.49	15.02	182.33	14.12	171.16	13.24	160.00	12.37	148.84	11.52	141.40	10.97
	52.00	47.0	193.49	13.96	182.33	13.14	171.16	12.33	160.00	11.54	148.84	10.76	141.40	10.25
	57.00	52.0	193.49	12.84	182.33	12.10	171.16	11.37	160.00	10.66	148.84	9.95	141.40	9.49
	62.00	56.0	193.49	12.06	182.33	11.38	171.16	10.70	160.00	10.04	148.84	9.39	141.40	8.96
	67.00	61.0	193.49	11.22	182.33	10.59	171.16	9.98	160.00	9.37	148.84	8.78	141.40	8.38
	72.00	66.0	193.49	10.48	182.33	9.91	171.16	9.34	160.00	8.79	148.84	8.24	141.40	7.88
	75.00	69.0	193.49	10.04	182.33	9.50	171.16	8.96	160.00	8.44	148.84	7.92	141.40	7.58

c. Triple Units

Table 75 - 38VMA312HDS5-1, 38VMA312HDS6-1

Connected Capacity Ratio	Outdoor air temp.		Indoor air temp. °F DB											
			61°F		64°F		67°F		70°F		73°F		75°F	
			Tc	PI	Tc	PI	Tc	PI	Tc	PI	Tc	PI	Tc	PI
	°F BD	°F WB	MBH	kW	MBH	kW	MBH	kW	MBH	kW	MBH	kW	MBH	kW
135	-3.00	-4.0	176.08	21.45	175.29	22.05	175.02	22.55	174.65	23.09	173.97	23.53	173.97	23.83
	2.00	1.0	190.16	23.16	189.35	23.62	188.70	24.04	188.00	24.43	187.81	24.72	187.43	24.95
	7.00	6.0	206.85	24.83	206.02	25.17	205.27	25.47	205.04	25.73	204.39	25.92	203.93	26.04
	12.00	10.0	220.35	26.59	219.50	26.79	218.69	26.92	218.42	27.00	217.84	27.10	217.30	27.13
	17.00	15.0	232.47	28.28	231.63	28.29	231.35	28.30	230.24	28.31	229.86	28.31	229.12	28.32
	22.00	20.0	254.45	28.12	253.58	28.12	253.30	28.13	252.14	28.14	251.76	28.14	250.99	28.15
	27.00	24.0	270.46	27.95	270.24	27.96	269.60	27.96	269.03	27.97	268.07	27.98	267.88	27.98
	32.00	29.0	290.07	27.78	289.55	27.79	289.07	27.80	288.23	27.80	287.54	27.81	287.08	27.81
	37.00	34.0	311.78	27.62	311.35	27.62	310.82	27.63	310.04	27.63	309.27	27.64	308.88	27.64
	42.00	38.0	362.02	27.45	361.64	27.46	361.00	27.46	351.96	27.47	351.05	27.47	350.72	27.47
	47.00	43.0	399.15	27.29	390.10	27.29	381.06	27.29	372.01	27.30	362.96	27.30	356.93	27.30
	52.00	47.0	415.19	27.12	406.15	27.12	397.10	27.13	388.05	27.13	379.00	27.13	372.97	27.14
	57.00	52.0	435.25	26.91	426.20	26.91	417.15	26.92	408.10	26.92	399.05	26.92	392.90	26.91
	62.00	56.0	451.29	26.74	442.24	26.75	433.19	26.75	424.14	26.75	413.58	26.75	392.90	25.02
	67.00	61.0	471.34	26.53	462.29	26.53	453.24	26.54	444.20	26.54	413.58	24.40	392.90	22.98
	72.00	66.0	491.39	26.32	482.34	26.32	473.30	26.33	444.60	24.50	413.58	22.52	392.90	21.23
75.00	69.0	503.42	26.19	494.38	26.20	485.33	26.20	444.84	23.28	413.58	21.39	392.90	20.18	
120	-3.00	-4.0	175.02	22.46	175.02	22.84	174.32	23.25	173.97	23.77	173.37	24.15	172.91	24.42
	2.00	1.0	189.08	23.88	188.65	24.23	187.79	24.53	187.43	24.97	186.73	25.22	186.36	25.42
	7.00	6.0	205.74	25.37	205.21	25.56	204.30	25.78	203.93	26.14	203.55	26.26	202.81	26.40
	12.00	10.0	219.22	26.91	218.62	26.97	218.21	27.05	217.30	27.25	216.93	27.30	216.18	27.36
	17.00	15.0	231.35	28.29	230.51	28.30	230.24	28.31	229.12	28.31	229.12	28.32	229.12	28.33
	22.00	20.0	253.30	28.13	252.43	28.13	252.14	28.14	250.99	28.15	250.99	28.15	250.99	28.16
	27.00	24.0	269.31	27.96	269.10	27.97	268.46	27.97	267.88	27.98	267.60	27.98	267.03	27.99
	32.00	29.0	288.92	27.79	288.40	27.80	287.93	27.80	287.08	27.81	286.93	27.81	286.62	27.82
	37.00	34.0	310.62	27.63	310.19	27.63	309.66	27.63	309.46	27.64	317.59	27.64	317.19	27.65
	42.00	38.0	343.18	27.46	342.82	27.46	342.22	27.47	341.98	27.47	333.63	27.48	333.16	27.48
	47.00	43.0	387.09	27.29	378.74	27.29	370.38	27.30	362.03	27.30	353.68	27.31	348.11	27.31
	52.00	47.0	403.13	27.12	394.78	27.13	386.43	27.13	378.07	27.13	369.72	27.14	362.68	26.95
	57.00	52.0	423.18	26.91	414.83	26.92	406.48	26.92	398.13	26.92	381.77	26.01	362.68	24.48
	62.00	56.0	439.22	26.75	430.87	26.75	422.52	26.75	410.40	26.35	381.77	24.19	362.68	22.79
	67.00	61.0	459.28	26.54	450.92	26.54	439.03	26.18	410.40	24.18	381.77	22.23	362.68	20.97
	72.00	66.0	479.33	26.32	467.67	26.02	439.03	24.14	410.40	22.32	381.77	20.55	362.68	19.40
75.00	69.0	491.36	26.20	477.71	25.70	439.03	22.92	410.40	21.21	381.77	19.54	362.68	18.46	
110	-3.00	-4.0	173.97	23.14	173.97	23.61	173.27	23.96	172.91	24.35	172.56	24.68	171.86	24.85
	2.00	1.0	188.00	24.47	187.58	24.79	187.09	25.07	186.36	25.34	186.18	25.64	185.84	25.74
	7.00	6.0	204.62	25.75	204.10	25.98	203.65	26.16	202.81	26.34	202.67	26.53	202.39	26.57
	12.00	10.0	218.10	27.01	217.50	27.19	217.09	27.27	216.98	27.31	216.07	27.44	215.86	27.41
	17.00	15.0	230.24	28.30	230.24	28.31	229.49	28.32	229.12	28.32	228.00	28.33	228.00	28.33
	22.00	20.0	252.14	28.14	251.28	28.14	250.99	28.15	250.99	28.15	249.84	28.16	249.84	28.01
	27.00	24.0	269.03	27.97	268.38	27.97	267.98	27.98	267.03	27.98	266.45	27.99	266.88	27.69
	32.00	29.0	288.23	27.80	287.89	27.80	287.31	27.81	286.62	27.81	285.93	27.82	285.93	27.36
	37.00	34.0	310.04	27.63	309.61	27.64	309.08	27.64	308.30	27.65	307.15	27.65	305.99	27.04
	42.00	38.0	333.88	27.46	333.35	27.47	332.86	27.47	332.00	27.48	324.35	27.48	315.92	26.72
	47.00	43.0	375.02	27.30	367.37	27.30	359.71	27.30	352.06	27.31	344.40	27.31	332.46	26.40
	52.00	47.0	391.07	27.13	383.41	27.13	375.75	27.14	368.10	27.14	349.95	25.83	332.46	24.32
	57.00	52.0	411.12	26.92	403.46	26.92	395.81	26.92	376.20	25.56	349.95	23.48	332.46	22.13
	62.00	56.0	427.16	26.75	419.50	26.75	402.45	25.74	376.20	23.78	349.95	21.87	332.46	20.63
	67.00	61.0	447.21	26.54	428.69	25.45	402.45	23.63	376.20	21.86	349.95	20.14	332.46	19.01
	72.00	66.0	454.94	25.18	428.69	23.48	402.45	21.82	376.20	20.21	349.95	18.64	332.46	17.62
75.00	69.0	459.58	24.36	428.69	22.29	402.45	20.74	376.20	19.22	349.95	17.75	332.46	16.78	
100	-3.00	-4.0	173.59	23.99	173.08	24.28	172.91	24.53	171.86	24.91	171.86	25.17	171.86	26.42
	2.00	1.0	186.92	25.10	186.50	25.29	186.36	25.45	185.84	25.79	185.28	25.96	185.28	27.26
	7.00	6.0	203.93	26.18	203.09	26.31	202.81	26.42	202.39	26.69	201.70	26.77	201.70	28.11
	12.00	10.0	217.30	27.27	217.06	27.30	216.45	27.36	215.86	27.52	215.59	27.56	215.06	28.94
	17.00	15.0	229.12	28.31	229.12	28.32	228.37	28.32	228.00	28.33	227.63	28.34	226.88	28.34
	22.00	20.0	250.99	28.14	250.99	28.15	250.22	28.16	249.84	28.16	249.46	27.79	248.69	27.55
	27.00	24.0	267.88	27.98	267.24	27.98	266.84	27.99	265.88	27.99	265.79	27.24	265.60	26.76
	32.00	29.0	287.08	27.81	286.74	27.81	286.16	27.82	285.93	27.82	283.41	26.70	279.27	25.97
	37.00	34.0	308.88	27.64	308.45	27.64	307.92	27.65	305.99	27.64	294.40	26.15	283.96	25.18
	42.00	38.0	338.96	27.47	338.43	27.47	333.16	27.48	322.03	27.47	304.14	25.61	292.21	24.39
	47.00	43.0	372.31	27.30	364.04	27.30	349.04	27.31	342.00	27.30	318.14	25.06	302.23	23.60
	52.00	47.0	390.64	27.13	372.04	27.14	365.08	27.14	342.00	25.14	318.14	23.11	302.23	21.79
	57.00	52.0	399.05	26.92	389.72	26.65	365.86	24.73	342.00	22.87	318.14	21.05	302.23	19.87
	62.00	56.0	413.58	26.59	389.72	24.78	365.86	23.02	342.00	21.31	318.14	19.64	302.23	18.55

Connected Capacity Ratio	Outdoor air temp.		Indoor air temp. °F DB											
			61°F		64°F		67°F		70°F		73°F		75°F	
			Tc	PI	Tc	PI	Tc	PI	Tc	PI	Tc	PI	Tc	PI
	°F BD	°F WB	MBH	kW	MBH	kW	MBH	kW	MBH	kW	MBH	kW	MBH	kW
90	67.00	61.0	413.58	24.40	389.72	22.77	365.86	21.17	342.00	19.62	318.14	18.11	302.23	17.13
	72.00	66.0	413.58	22.52	389.72	21.04	365.86	19.59	342.00	18.18	318.14	16.80	302.23	15.90
	75.00	69.0	413.58	21.39	389.72	20.00	365.86	18.64	342.00	17.31	318.14	16.01	302.23	15.16
	-3.00	-4.0	171.19	26.39	170.40	26.70	170.14	26.98	170.14	27.40	169.10	27.68	169.10	29.07
	2.00	1.0	181.32	27.61	180.94	27.82	180.45	28.00	180.27	28.37	179.58	28.56	179.22	29.99
	7.00	6.0	195.37	28.67	195.07	28.68	194.52	28.69	194.30	28.69	193.67	28.70	193.22	28.70
	12.00	10.0	208.31	28.52	208.07	28.53	207.48	28.53	207.22	28.54	206.66	28.54	206.14	28.55
	17.00	15.0	222.25	28.32	222.25	28.33	222.25	28.33	221.16	28.34	221.16	28.34	221.16	28.35
	22.00	20.0	233.43	28.15	233.43	28.16	232.71	27.96	232.35	27.63	233.60	27.32	229.42	27.11
	27.00	24.0	245.67	27.98	245.07	27.99	244.88	27.59	244.61	26.93	249.64	26.29	245.47	25.87
	32.00	29.0	283.47	27.82	283.13	27.82	281.50	27.22	275.96	26.22	269.69	25.26	265.52	24.64
	37.00	34.0	323.42	27.65	319.31	27.65	310.63	26.84	296.01	25.52	286.33	24.24	272.01	23.40
	42.00	38.0	353.40	27.48	340.10	27.48	324.69	26.47	307.80	24.82	286.33	23.21	272.01	22.16
	47.00	43.0	361.90	27.31	344.63	27.31	329.27	26.10	307.80	24.11	286.33	22.18	272.01	20.93
	52.00	47.0	366.94	27.14	350.75	25.90	329.27	24.05	307.80	22.25	286.33	20.50	272.01	19.36
57.00	52.0	372.22	25.24	350.75	23.54	329.27	21.89	307.80	20.28	286.33	18.71	272.01	17.69	
62.00	56.0	372.22	23.49	350.75	21.93	329.27	20.41	307.80	18.93	286.33	17.49	272.01	16.55	
67.00	61.0	372.22	21.60	350.75	20.19	329.27	18.81	307.80	17.47	286.33	16.16	272.01	15.31	
72.00	66.0	372.22	19.97	350.75	18.69	329.27	17.44	307.80	16.21	286.33	15.02	272.01	14.24	
75.00	69.0	372.22	19.00	350.75	17.79	329.27	16.61	307.80	15.46	286.33	14.33	272.01	13.59	
80	-3.00	-4.0	169.48	29.02	168.70	29.37	168.44	29.68	168.44	30.14	168.09	30.45	167.40	29.08
	2.00	1.0	175.88	30.37	175.52	30.60	175.04	30.80	174.86	31.21	174.70	31.41	174.37	28.91
	7.00	6.0	187.56	28.68	187.27	28.69	186.74	28.70	186.53	28.70	186.40	28.71	186.14	28.72
	12.00	10.0	204.14	28.53	203.92	28.54	203.84	28.54	203.08	28.55	202.98	28.55	202.78	28.56
	17.00	15.0	220.03	28.33	219.22	28.34	218.95	28.34	218.95	28.35	215.71	28.35	215.63	28.36
	22.00	20.0	230.96	27.99	230.96	27.69	230.96	27.41	229.89	27.13	218.13	26.86	209.57	26.69
	27.00	24.0	264.72	27.64	263.22	27.05	257.60	26.48	245.93	25.92	240.36	25.38	230.94	25.02
	32.00	29.0	303.66	27.29	293.87	26.41	280.76	25.54	265.98	24.71	254.51	23.89	241.79	23.36
	37.00	34.0	319.20	26.94	304.00	25.76	288.80	24.61	273.60	23.49	254.51	22.40	241.79	21.69
	42.00	38.0	319.20	26.59	304.00	25.12	288.80	23.68	273.60	22.28	254.51	20.91	241.79	20.03
	47.00	43.0	319.20	26.25	304.00	24.47	288.80	22.75	273.60	21.06	254.51	19.43	241.79	18.36
	52.00	47.0	319.20	24.19	304.00	22.58	288.80	21.01	273.60	19.48	254.51	17.99	241.79	17.02
	57.00	52.0	319.20	22.01	304.00	20.58	288.80	19.17	273.60	17.80	254.51	16.47	241.79	15.60
	62.00	56.0	319.20	20.52	304.00	19.20	288.80	17.91	273.60	16.65	254.51	15.42	241.79	14.62
	67.00	61.0	319.20	18.91	304.00	17.72	288.80	16.55	273.60	15.40	254.51	14.28	241.79	13.55
72.00	66.0	319.20	17.53	304.00	16.44	288.80	15.37	273.60	14.32	254.51	13.30	241.79	12.63	
75.00	69.0	319.20	16.70	304.00	15.67	288.80	14.66	273.60	13.67	254.51	12.71	241.79	12.08	
70	-3.00	-4.0	167.79	29.05	167.79	29.06	167.10	29.07	166.76	29.08	166.76	29.09	166.76	29.10
	2.00	1.0	174.13	28.88	174.13	28.89	173.80	28.90	173.11	28.91	172.40	28.91	172.69	28.92
	7.00	6.0	185.69	28.70	185.69	28.70	185.43	28.71	184.66	28.72	181.74	28.72	180.99	28.73
	12.00	10.0	204.42	28.54	204.42	28.55	204.21	28.55	201.05	28.56	191.50	28.56	189.89	28.57
	17.00	15.0	228.11	28.34	227.27	28.35	222.49	28.35	212.38	28.36	200.77	28.36	199.08	28.36
	22.00	20.0	251.33	27.36	242.60	27.12	231.94	26.89	219.91	26.66	215.04	26.43	211.56	26.29
	27.00	24.0	274.66	26.38	261.55	25.90	248.85	25.42	235.95	24.96	222.70	24.51	211.56	24.21
	32.00	29.0	278.67	25.40	265.37	24.67	252.49	23.96	239.40	23.26	222.70	22.58	211.56	22.14
	37.00	34.0	278.67	24.42	265.37	23.45	252.49	22.49	239.40	21.56	222.70	20.65	211.56	20.06
	42.00	38.0	278.67	23.44	265.37	22.22	252.49	21.03	239.40	19.86	222.70	18.73	211.56	17.98
	47.00	43.0	278.67	22.46	265.37	21.00	252.49	19.56	239.40	18.16	222.70	16.80	211.56	15.91
	52.00	47.0	278.67	20.75	265.37	19.42	252.49	18.12	239.40	16.84	222.70	15.60	211.56	14.78
	57.00	52.0	278.67	18.94	265.37	17.75	252.49	16.58	239.40	15.43	222.70	14.32	211.56	13.59
	62.00	56.0	278.67	17.70	265.37	16.60	252.49	15.52	239.40	14.47	222.70	13.43	211.56	12.76
	67.00	61.0	278.67	16.35	265.37	15.35	252.49	14.37	239.40	13.41	222.70	12.47	211.56	11.86
72.00	66.0	278.67	15.19	265.37	14.28	252.49	13.38	239.40	12.50	222.70	11.64	211.56	11.08	
75.00	69.0	278.67	14.49	265.37	13.63	252.49	12.79	239.40	11.96	222.70	11.14	211.56	10.61	
60	-3.00	-4.0	159.79	29.07	156.64	29.08	153.11	29.09	149.77	29.10	146.39	29.11	145.13	29.11
	2.00	1.0	173.32	28.90	168.49	28.91	163.37	28.92	158.39	28.92	153.20	28.93	151.28	28.93
	7.00	6.0	191.47	28.71	184.74	28.72	177.80	28.72	170.97	28.73	163.73	28.73	161.05	28.74
	12.00	10.0	210.50	28.56	201.72	28.56	192.84	28.56	184.01	28.57	174.56	28.57	171.07	28.57
	17.00	15.0	230.43	28.35	219.46	28.36	208.49	28.36	197.51	28.36	185.71	28.37	181.34	27.96
	22.00	20.0	236.65	26.78	225.38	26.58	214.11	26.39	205.20	26.20	190.88	26.02	181.34	25.56
	27.00	24.0	242.62	25.20	231.07	24.81	219.52	24.42	205.20	24.04	190.88	23.68	181.34	23.16
	32.00	29.0	242.62	23.62	231.07	23.03	219.52	22.45	205.20	21.89	190.88	21.33	181.34	20.76
	37.00	34.0	242.62	22.05	231.07	21.26	219.52	20.48	205.20	19.73	190.88	18.99	181.34	18.36
	42.00	38.0	242.62	20.47	231.07	19.48	219.52	18.51	205.20	17.57	190.88	16.64	181.34	15.97
	47.00	43.0	248.15	18.89	233.83	17.70	219.52	16.54	205.20	15.41	190.88	14.29	181.34	13.57
	52.00	47.0	248.15	17.50	233.83	16.42	219.52	15.36	205.20	14.33	190.88	13.31	181.34	12.64
	57.00	52.0	248.15	16.03	233.83	15.06	219.52	14.11	205.20	13.17	190.88	12.26	181.34	11.66
	62.00	56.0	248.15	15.02	233.83	14.12	219.52	13.24	205.20	12.38	190.88	11.53	181.34	10.98
	67.00	61.0	248.15	13.91	233.83	13.10	219.52	12.30	205.20	11.51	190.88	10.74	181.34	10.23
72.00	66.0	248.15	12.96	233.83	12.21	219.52	11.48	205.20	10.76	190.88	10.05	181.34	9.59	

Connected Capacity Ratio	Outdoor air temp.		Indoor air temp. °F DB											
			61°F		64°F		67°F		70°F		73°F		75°F	
			Tc	PI	Tc	PI	Tc	PI	Tc	PI	Tc	PI	Tc	PI
	°F DB	°F WB	MBH	kW	MBH	kW	MBH	kW	MBH	kW	MBH	kW	MBH	kW
50	75.00	69.0	248.15	12.39	233.83	11.68	219.52	10.99	205.20	10.31	190.88	9.64	181.34	9.20
	-3.00	-4.0	151.14	29.10	147.71	29.11	143.92	29.11	140.31	29.12	136.80	29.13	129.96	29.13
	2.00	1.0	161.48	28.92	156.23	28.93	150.69	28.93	145.30	28.94	139.98	28.94	132.98	28.95
	7.00	6.0	175.97	28.73	168.65	28.73	161.13	28.74	153.71	28.74	146.34	28.74	139.03	28.75
	12.00	10.0	191.07	28.57	181.52	28.57	171.87	28.57	162.28	28.58	152.71	28.58	145.07	27.67
	17.00	15.0	206.80	28.36	194.86	28.37	182.93	28.25	171.00	26.08	159.07	23.98	151.12	22.61
	22.00	20.0	206.79	26.22	194.86	26.07	182.93	25.82	171.00	23.87	159.07	21.97	151.12	20.73
	27.00	24.0	206.79	24.09	194.86	23.78	182.93	23.40	171.00	21.65	159.07	19.96	151.12	18.85
	32.00	29.0	206.79	21.95	194.86	21.48	182.93	20.97	171.00	19.44	159.07	17.95	151.12	16.97
	37.00	34.0	206.79	19.81	194.86	19.19	182.93	18.54	171.00	17.22	159.07	15.94	151.12	15.10
	42.00	38.0	206.79	17.67	194.86	16.90	182.93	16.12	171.00	15.01	159.07	13.93	151.12	13.22
	47.00	43.0	206.79	15.53	194.86	14.60	182.93	13.69	171.00	12.79	159.07	11.92	151.12	11.34
	52.00	47.0	206.79	14.44	194.86	13.59	182.93	12.75	171.00	11.94	159.07	11.13	151.12	10.60
	57.00	52.0	206.79	13.28	194.86	12.51	182.93	11.76	171.00	11.02	159.07	10.29	151.12	9.82
	62.00	56.0	206.79	12.47	194.86	11.76	182.93	11.07	171.00	10.38	159.07	9.71	151.12	9.27
	67.00	61.0	206.79	11.60	194.86	10.95	182.93	10.32	171.00	9.69	159.07	9.08	151.12	8.67
72.00	66.0	206.79	10.84	194.86	10.25	182.93	9.66	171.00	9.09	159.07	8.52	151.12	8.15	
75.00	69.0	206.79	10.38	194.86	9.82	182.93	9.27	171.00	8.73	159.07	8.19	151.12	7.84	

Table 76 - 38VMA336HDS5-1, 38VMA336HDS6-1

Connected Capacity Ratio	Outdoor air temp.		Indoor air temp. °F DB											
			61°F		64°F		67°F		70°F		73°F		75°F	
			Tc	PI	Tc	PI	Tc	PI	Tc	PI	Tc	PI	Tc	PI
	°F DB	°F WB	MBH	kW	MBH	kW	MBH	kW	MBH	kW	MBH	kW	MBH	kW
135	-3.00	-4.0	185.34	22.94	184.51	23.58	184.23	24.12	183.84	24.70	183.12	25.16	183.12	25.49
	2.00	1.0	200.16	24.77	199.31	25.26	198.63	25.72	197.89	26.13	197.69	26.44	197.30	26.69
	7.00	6.0	217.74	26.56	216.86	26.92	216.08	27.24	215.83	27.52	215.15	27.72	214.66	27.85
	12.00	10.0	231.94	28.44	231.06	28.65	230.20	28.80	229.92	28.88	229.30	28.98	228.74	29.02
	17.00	15.0	244.71	30.25	243.82	30.26	243.53	30.27	242.35	30.28	241.96	30.28	241.18	30.29
	22.00	20.0	267.84	30.07	266.93	30.08	266.63	30.09	265.41	30.10	265.01	30.10	264.20	30.11
	27.00	24.0	284.69	29.90	284.47	29.90	283.79	29.91	283.19	29.92	282.18	29.92	281.98	29.93
	32.00	29.0	305.34	29.72	304.79	29.72	304.29	29.73	303.40	29.74	302.68	29.74	302.19	29.75
	37.00	34.0	328.19	29.54	327.73	29.55	327.17	29.55	326.36	29.56	325.55	29.56	325.14	29.57
	42.00	38.0	381.07	29.36	380.67	29.37	380.01	29.37	370.48	29.38	369.53	29.38	369.18	29.39
	47.00	43.0	420.16	29.19	410.64	29.19	401.11	29.19	391.59	29.20	382.06	29.20	375.71	29.20
	52.00	47.0	437.05	29.01	427.52	29.01	418.00	29.01	408.47	29.02	398.95	29.02	392.60	29.02
	57.00	52.0	458.15	28.78	448.63	28.79	439.11	28.79	429.58	28.79	420.06	28.80	413.58	28.78
	62.00	56.0	475.04	28.60	465.52	28.61	455.99	28.61	446.47	28.61	435.35	28.61	413.58	26.76
	67.00	61.0	496.15	28.38	486.62	28.38	477.10	28.38	467.57	28.39	435.35	26.10	413.58	24.58
	72.00	66.0	517.25	28.15	507.73	28.16	498.21	28.16	468.00	26.21	435.35	24.09	413.58	22.71
75.00	69.0	529.92	28.02	520.39	28.02	510.87	28.02	468.26	24.90	435.35	22.88	413.58	21.59	
120	-3.00	-4.0	184.23	24.02	184.23	24.43	183.49	24.87	183.12	25.42	182.49	25.83	182.02	26.12
	2.00	1.0	199.03	25.55	198.58	25.91	197.68	26.23	197.30	26.71	196.56	26.98	196.16	27.19
	7.00	6.0	216.57	27.14	216.02	27.34	215.05	27.58	214.66	27.96	214.27	28.09	213.49	28.24
	12.00	10.0	230.76	28.78	230.13	28.85	229.69	28.93	228.74	29.14	228.34	29.21	227.56	29.26
	17.00	15.0	243.53	30.26	242.65	30.27	242.35	30.28	241.18	30.28	241.18	30.29	241.18	30.30
	22.00	20.0	266.63	30.08	265.72	30.09	265.41	30.10	264.20	30.10	264.20	30.11	264.20	30.12
	27.00	24.0	283.49	29.91	283.26	29.91	282.59	29.92	281.98	29.92	281.68	29.93	281.08	29.93
	32.00	29.0	304.13	29.73	303.58	29.73	303.08	29.74	302.19	29.74	302.03	29.75	301.71	29.75
	37.00	34.0	326.97	29.55	326.51	29.55	325.95	29.56	325.75	29.56	324.30	29.57	323.88	29.57
	42.00	38.0	361.24	29.37	360.86	29.37	360.23	29.38	359.98	29.38	351.19	29.39	350.69	29.39
	47.00	43.0	407.46	29.19	398.67	29.19	389.88	29.20	381.09	29.20	372.30	29.21	366.43	29.21
	52.00	47.0	424.35	29.01	415.56	29.02	406.76	29.02	397.97	29.02	389.18	29.03	381.77	28.83
	57.00	52.0	445.46	28.79	436.66	28.79	427.87	28.79	419.08	28.80	401.86	27.82	381.77	26.18
	62.00	56.0	462.34	28.61	453.55	28.61	444.76	28.61	432.00	28.18	401.86	25.87	381.77	24.38
	67.00	61.0	483.45	28.38	474.66	28.39	462.14	28.01	432.00	25.86	401.86	23.78	381.77	22.42
	72.00	66.0	504.56	28.16	492.28	27.83	462.14	25.82	432.00	23.87	401.86	21.98	381.77	20.75
75.00	69.0	517.22	28.02	502.85	27.49	462.14	24.51	432.00	22.68	401.86	20.90	381.77	19.74	
110	-3.00	-4.0	183.12	24.75	183.12	25.26	182.39	25.63	182.02	26.05	181.65	26.40	180.91	26.58
	2.00	1.0	197.89	26.17	197.45	26.52	196.94	26.81	196.16	27.11	195.98	27.43	195.62	27.53
	7.00	6.0	215.39	27.55	214.84	27.79	214.37	27.98	213.49	28.17	213.34	28.38	213.05	28.42
	12.00	10.0	229.58	28.89	228.95	29.08	228.51	29.17	228.40	29.21	227.44	29.35	227.22	29.31
	17.00	15.0	242.35	30.27	242.35	30.28	241.57	30.29	241.18	30.29	240.00	30.30	240.00	30.30
	22.00	20.0	265.41	30.09	264.51	30.10	264.20	30.11	264.20	30.11	262.99	30.12	262.99	29.96
	27.00	24.0	283.19	29.91	282.51	29.92	282.08	29.93	281.08	29.93	280.48	29.94	279.88	29.61
	32.00	29.0	303.40	29.73	303.04	29.74	302.43	29.75	301.71	29.75	300.98	29.76	300.98	29.27
37.00	34.0	326.36	29.56	325.90	29.56	325.34	29.56	324.53	29.57	323.31	29.57	322.09	28.92	

Connecte d Capacity Ratio	Outdoor air temp.		Indoor air temp. °F DB											
			61°F		64°F		67°F		70°F		73°F		75°F	
			Tc	PI	Tc	PI	Tc	PI	Tc	PI	Tc	PI	Tc	PI
	°F DB	°F WB	MBH	kW	MBH	kW	MBH	kW	MBH	kW	MBH	kW	MBH	kW
100	42.00	38.0	351.45	29.38	350.90	29.38	350.38	29.38	349.48	29.39	341.42	29.39	332.55	28.58
	47.00	43.0	394.76	29.20	386.70	29.20	378.64	29.20	370.59	29.21	362.53	29.21	349.95	28.23
	52.00	47.0	411.65	29.02	403.59	29.02	395.53	29.02	387.47	29.03	368.37	27.63	349.95	26.02
	57.00	52.0	432.76	28.79	424.70	28.80	416.64	28.80	396.00	27.34	368.37	25.12	349.95	23.67
	62.00	56.0	449.64	28.61	441.58	28.62	423.63	27.53	396.00	25.43	368.37	23.40	349.95	22.07
	67.00	61.0	470.75	28.39	451.26	27.22	423.63	25.28	396.00	23.38	368.37	21.54	349.95	20.34
	72.00	66.0	478.88	26.93	451.26	25.11	423.63	23.34	396.00	21.62	368.37	19.94	349.95	18.85
	75.00	69.0	483.76	26.05	451.26	23.85	423.63	22.18	396.00	20.56	368.37	18.98	349.95	17.95
	-3.00	-4.0	182.73	25.66	182.19	25.96	182.02	26.24	180.91	26.64	180.91	26.92	180.91	28.26
	2.00	1.0	196.76	26.85	196.31	27.05	196.16	27.22	195.62	27.59	195.03	27.77	195.03	29.16
	7.00	6.0	214.66	28.00	213.78	28.14	213.49	28.26	213.05	28.54	212.31	28.64	212.31	30.07
	12.00	10.0	228.74	29.17	228.48	29.20	227.84	29.26	227.22	29.44	226.94	29.48	226.38	30.96
	17.00	15.0	241.18	30.28	241.18	30.29	240.39	30.30	240.00	30.30	239.61	30.31	238.82	30.31
	22.00	20.0	264.20	30.10	264.20	30.11	263.39	30.11	262.99	30.12	262.59	29.72	261.78	29.47
27.00	24.0	281.98	29.92	281.31	29.93	280.88	29.93	279.88	29.93	279.78	29.14	279.58	28.62	
32.00	29.0	302.19	29.74	301.83	29.75	301.23	29.75	300.98	29.75	298.32	28.56	293.97	27.78	
37.00	34.0	325.14	29.56	324.68	29.57	324.12	29.57	322.09	29.57	309.89	27.97	298.91	26.94	
42.00	38.0	356.80	29.38	356.24	29.39	350.69	29.39	338.98	29.38	320.15	27.39	307.59	26.09	
47.00	43.0	391.90	29.20	383.20	29.21	367.41	29.21	360.00	29.20	334.88	26.80	318.14	25.25	
52.00	47.0	411.20	29.02	391.62	29.03	384.30	29.03	360.00	26.89	334.88	24.72	318.14	23.31	
57.00	52.0	420.06	28.80	410.23	28.51	385.12	26.45	360.00	24.46	334.88	22.52	318.14	21.25	
62.00	56.0	435.35	28.44	410.23	26.51	385.12	24.62	360.00	22.79	334.88	21.01	318.14	19.84	
67.00	61.0	435.35	26.10	410.23	24.35	385.12	22.65	360.00	20.99	334.88	19.37	318.14	18.32	
72.00	66.0	435.35	24.09	410.23	22.50	385.12	20.95	360.00	19.44	334.88	17.97	318.14	17.01	
75.00	69.0	435.35	22.88	410.23	21.39	385.12	19.93	360.00	18.51	334.88	17.12	318.14	16.22	
90	-3.00	-4.0	180.20	28.22	179.37	28.56	179.10	28.86	179.10	29.31	178.00	29.61	178.00	31.09
	2.00	1.0	190.86	29.53	190.46	29.76	189.95	29.95	189.75	30.35	189.03	30.55	188.65	32.07
	7.00	6.0	205.65	30.67	205.34	30.67	204.76	30.68	204.52	30.69	203.87	30.70	203.39	30.70
	12.00	10.0	219.27	30.50	219.02	30.51	218.40	30.52	218.13	30.52	217.53	30.53	216.99	30.54
	17.00	15.0	233.95	30.29	233.95	30.30	233.95	30.31	232.80	30.31	232.80	30.32	232.80	30.32
	22.00	20.0	245.71	30.11	245.71	30.12	244.96	29.91	244.58	29.56	245.90	29.22	241.50	29.00
	27.00	24.0	258.60	29.93	257.97	29.94	257.76	29.51	257.49	28.80	262.78	28.12	258.39	27.67
	32.00	29.0	298.39	29.75	298.03	29.76	296.31	29.11	290.48	28.05	283.89	27.02	279.49	26.35
	37.00	34.0	340.44	29.57	336.11	29.57	326.98	28.71	311.59	27.30	301.40	25.92	286.33	25.03
	42.00	38.0	372.00	29.39	358.00	29.39	341.78	28.31	324.00	26.54	301.40	24.82	286.33	23.71
	47.00	43.0	380.94	29.21	362.77	29.21	346.60	27.91	324.00	25.79	301.40	23.72	286.33	22.38
	52.00	47.0	386.25	29.03	369.21	27.71	346.60	25.73	324.00	23.80	301.40	21.92	286.33	20.70
	57.00	52.0	391.81	27.00	369.21	25.18	346.60	23.41	324.00	21.69	301.40	20.01	286.33	18.92
	62.00	56.0	391.81	25.12	369.21	23.46	346.60	21.83	324.00	20.25	301.40	18.71	286.33	17.70
67.00	61.0	391.81	23.10	369.21	21.59	346.60	20.12	324.00	18.69	301.40	17.29	286.33	16.37	
72.00	66.0	391.81	21.36	369.21	19.99	346.60	18.65	324.00	17.34	301.40	16.06	286.33	15.23	
75.00	69.0	391.81	20.32	369.21	19.03	346.60	17.77	324.00	16.53	301.40	15.33	286.33	14.54	
80	-3.00	-4.0	178.40	31.04	177.58	31.42	177.31	31.74	177.31	32.24	176.94	32.57	176.21	31.10
	2.00	1.0	185.14	32.48	184.75	32.73	184.25	32.94	184.06	33.38	183.89	33.60	183.55	30.92
	7.00	6.0	197.43	30.68	197.13	30.69	196.57	30.70	196.34	30.70	196.21	30.71	195.93	30.71
	12.00	10.0	214.89	30.52	214.65	30.52	214.57	30.53	213.77	30.53	213.66	30.54	213.45	30.54
	17.00	15.0	231.61	30.31	230.76	30.31	230.47	30.32	230.47	30.32	227.07	30.33	226.98	30.33
	22.00	20.0	243.11	29.93	243.11	29.62	243.11	29.32	241.99	29.02	229.61	28.73	220.60	28.55
	27.00	24.0	278.65	29.56	277.08	28.93	271.16	28.32	258.87	27.72	253.01	27.14	243.09	26.77
	32.00	29.0	319.65	29.19	309.34	28.24	295.54	27.32	279.98	26.43	267.91	25.55	254.51	24.98
	37.00	34.0	336.00	28.82	320.00	27.55	304.00	26.32	288.00	25.13	267.91	23.96	254.51	23.20
	42.00	38.0	336.00	28.44	320.00	26.87	304.00	25.33	288.00	23.83	267.91	22.37	254.51	21.42
	47.00	43.0	336.00	28.07	320.00	26.18	304.00	24.33	288.00	22.53	267.91	20.78	254.51	19.64
	52.00	47.0	336.00	25.87	320.00	24.15	304.00	22.47	288.00	20.84	267.91	19.24	254.51	18.21
	57.00	52.0	336.00	23.54	320.00	22.01	304.00	20.51	288.00	19.04	267.91	17.61	254.51	16.68
	62.00	56.0	336.00	21.95	320.00	20.54	304.00	19.16	288.00	17.81	267.91	16.49	254.51	15.63
67.00	61.0	336.00	20.23	320.00	18.95	304.00	17.70	288.00	16.47	267.91	15.28	254.51	14.49	
72.00	66.0	336.00	18.75	320.00	17.58	304.00	16.44	288.00	15.32	267.91	14.22	254.51	13.51	
75.00	69.0	336.00	17.86	320.00	16.76	304.00	15.68	288.00	14.63	267.91	13.59	254.51	12.92	
70	-3.00	-4.0	176.62	31.07	176.62	31.08	175.90	31.09	175.53	31.10	175.53	31.11	175.53	31.12
	2.00	1.0	183.29	30.89	183.29	30.90	182.95	30.91	182.22	30.92	181.47	30.93	181.77	30.93
	7.00	6.0	195.47	30.70	195.47	30.70	195.19	30.71	194.38	30.71	191.30	30.72	190.51	30.72
	12.00	10.0	215.18	30.53	215.18	30.54	214.96	30.54	211.63	30.55	201.58	30.55	199.88	30.55
	17.00	15.0	240.12	30.32	239.23	30.32	234.20	30.32	223.56	30.33	211.34	30.33	209.55	30.34
	22.00	20.0	264.56	29.27	255.37	29.01	244.14	28.76	231.49	28.51	226.36	28.27	222.70	28.12
	27.00	24.0	289.11	28.22	275.31	27.70	261.95	27.19	248.37	26.70	234.42	26.21	222.70	25.90
	32.00	29.0	293.33	27.17	279.33	26.39	265.78	25.62	252.00	24.88	234.42	24.15	222.70	23.68
	37.00	34.0	293.33	26.12	279.33	25.08	265.78	24.06	252.00	23.06	234.42	22.09	222.70	21.46
	42.00	38.0	293.33	25.07	279.33	23.77	265.78	22.49	252.00	21.24	234.42	20.03	222.70	19.24
47.00	43.0	293.33	24.03	279.33	22.46	265.78	20.92	252.00	19.43	234.42	17.97	222.70	17.02	

Connecte d Capacity Ratio	Outdoor air temp.		Indoor air temp. °F DB											
			61°F		64°F		67°F		70°F		73°F		75°F	
			Tc	PI	Tc	PI	Tc	PI	Tc	PI	Tc	PI	Tc	PI
	°F DB	°F WB	MBH	kW	MBH	kW	MBH	kW	MBH	kW	MBH	kW	MBH	kW
60	52.00	47.0	293.33	22.20	279.33	20.77	265.78	19.38	252.00	18.01	234.42	16.68	222.70	15.81
	57.00	52.0	293.33	20.26	279.33	18.98	265.78	17.73	252.00	16.51	234.42	15.31	222.70	14.53
	62.00	56.0	293.33	18.93	279.33	17.75	265.78	16.60	252.00	15.47	234.42	14.37	222.70	13.65
	67.00	61.0	293.33	17.49	279.33	16.42	265.78	15.37	252.00	14.35	234.42	13.34	222.70	12.68
	72.00	66.0	293.33	16.25	279.33	15.27	265.78	14.31	252.00	13.37	234.42	12.45	222.70	11.85
	75.00	69.0	293.33	15.50	279.33	14.58	265.78	13.68	252.00	12.79	234.42	11.92	222.70	11.35
	-3.00	-4.0	168.20	31.10	164.88	31.11	161.17	31.12	157.65	31.13	154.09	31.13	152.77	31.14
	2.00	1.0	182.44	30.91	177.36	30.92	171.97	30.93	166.73	30.93	161.26	30.94	159.24	30.95
	7.00	6.0	201.54	30.71	194.46	30.72	187.16	30.72	179.96	30.73	172.34	30.73	169.52	30.74
	12.00	10.0	221.58	30.54	212.34	30.55	202.99	30.55	193.69	30.56	183.75	30.56	180.07	30.56
	17.00	15.0	242.56	30.33	231.01	30.33	219.46	30.33	207.91	30.34	195.48	30.34	190.88	29.90
	22.00	20.0	249.11	28.64	237.24	28.43	225.38	28.23	216.00	28.03	200.93	27.83	190.88	27.34
	27.00	24.0	255.39	26.95	243.23	26.53	231.07	26.12	216.00	25.72	200.93	25.32	190.88	24.77
	32.00	29.0	255.39	25.27	243.23	24.63	231.07	24.01	216.00	23.41	200.93	22.82	190.88	22.21
37.00	34.0	255.39	23.58	243.23	22.73	231.07	21.91	216.00	21.10	200.93	20.31	190.88	19.64	
42.00	38.0	255.39	21.89	243.23	20.84	231.07	19.80	216.00	18.79	200.93	17.80	190.88	17.08	
47.00	43.0	261.21	20.21	246.14	18.94	231.07	17.69	216.00	16.48	200.93	15.29	190.88	14.51	
52.00	47.0	261.21	18.72	246.14	17.57	231.07	16.43	216.00	15.32	200.93	14.24	190.88	13.52	
57.00	52.0	261.21	17.15	246.14	16.11	231.07	15.09	216.00	14.09	200.93	13.11	190.88	12.47	
62.00	56.0	261.21	16.06	246.14	15.10	231.07	14.16	216.00	13.24	200.93	12.33	190.88	11.74	
67.00	61.0	261.21	14.88	246.14	14.01	231.07	13.15	216.00	12.31	200.93	11.49	190.88	10.94	
72.00	66.0	261.21	13.86	246.14	13.06	231.07	12.28	216.00	11.51	200.93	10.75	190.88	10.25	
75.00	69.0	261.21	13.25	246.14	12.50	231.07	11.76	216.00	11.03	200.93	10.31	190.88	9.84	
50	-3.00	-4.0	159.09	31.12	155.49	31.13	151.49	31.14	147.69	31.15	144.00	31.16	136.80	31.16
	2.00	1.0	169.98	30.93	164.45	30.94	158.62	30.94	152.94	30.95	147.35	30.96	139.98	30.96
	7.00	6.0	185.23	30.73	177.52	30.73	169.61	30.74	161.80	30.74	154.05	30.74	146.34	30.75
	12.00	10.0	201.13	30.56	191.08	30.56	180.92	30.56	170.82	30.57	160.74	30.57	152.71	29.60
	17.00	15.0	217.68	30.34	205.12	30.34	192.56	30.22	180.00	27.90	167.44	25.65	159.07	24.18
	22.00	20.0	217.67	28.05	205.12	27.89	192.56	27.62	180.00	25.53	167.44	23.50	159.07	22.17
	27.00	24.0	217.67	25.76	205.12	25.43	192.56	25.02	180.00	23.16	167.44	21.35	159.07	20.17
	32.00	29.0	217.67	23.47	205.12	22.98	192.56	22.43	180.00	20.79	167.44	19.20	159.07	18.16
	37.00	34.0	217.67	21.19	205.12	20.52	192.56	19.83	180.00	18.42	167.44	17.05	159.07	16.15
	42.00	38.0	217.67	18.90	205.12	18.07	192.56	17.24	180.00	16.05	167.44	14.89	159.07	14.14
	47.00	43.0	217.67	16.61	205.12	15.62	192.56	14.64	180.00	13.68	167.44	12.74	159.07	12.13
	52.00	47.0	217.67	15.44	205.12	14.54	192.56	13.64	180.00	12.77	167.44	11.91	159.07	11.34
	57.00	52.0	217.67	14.20	205.12	13.38	192.56	12.58	180.00	11.79	167.44	11.01	159.07	10.50
	62.00	56.0	217.67	13.34	205.12	12.58	192.56	11.84	180.00	11.11	167.44	10.39	159.07	9.91
67.00	61.0	217.67	12.40	205.12	11.71	192.56	11.03	180.00	10.36	167.44	9.71	159.07	9.27	
72.00	66.0	217.67	11.59	205.12	10.96	192.56	10.33	180.00	9.72	167.44	9.11	159.07	8.72	
75.00	69.0	217.67	11.11	205.12	10.51	192.56	9.92	180.00	9.33	167.44	8.76	159.07	8.38	

Table 77 - 38VMA360HDS5-1, 38VMA360HDS6-1

Connected Capacity Ratio	Outdoor air temp.		Indoor air temp. °F DB											
			61°F		64°F		67°F		70°F		73°F		75°F	
			Tc	PI	Tc	PI	Tc	PI	Tc	PI	Tc	PI	Tc	PI
	°F DB	°F WB	MBH	kW	MBH	kW	MBH	kW	MBH	kW	MBH	kW	MBH	kW
135	-3.00	-4.0	194.61	24.35	193.74	25.04	193.45	25.61	193.03	26.22	192.28	26.71	192.28	27.06
	2.00	1.0	210.17	26.30	209.28	26.82	208.56	27.30	207.79	27.74	207.58	28.07	207.16	28.33
	7.00	6.0	228.63	28.20	227.70	28.58	226.88	28.92	226.62	29.22	225.91	29.43	225.39	29.57
	12.00	10.0	243.54	30.20	242.61	30.42	241.71	30.57	241.41	30.66	240.77	30.77	240.17	30.81
	17.00	15.0	256.94	32.12	256.01	32.12	255.71	32.13	254.47	32.14	254.06	32.15	253.24	32.16
	22.00	20.0	281.23	31.93	280.28	31.94	279.96	31.94	278.69	31.95	278.26	31.96	277.41	31.96
	27.00	24.0	298.93	31.74	298.69	31.75	297.98	31.75	297.35	31.76	296.29	31.77	296.08	31.77
	32.00	29.0	320.60	31.55	320.03	31.56	319.50	31.56	318.57	31.57	317.81	31.58	317.30	31.58
	37.00	34.0	344.60	31.36	344.12	31.37	343.53	31.37	342.68	31.38	341.83	31.38	341.40	31.39
	42.00	38.0	400.12	31.17	399.70	31.18	399.01	31.18	389.00	31.19	388.00	31.19	387.64	31.20
	47.00	43.0	441.17	30.98	431.17	30.99	421.17	30.99	411.17	31.00	401.17	31.00	394.50	31.00
	52.00	47.0	458.90	30.79	448.90	30.80	438.90	30.80	428.90	30.81	418.90	30.81	412.23	30.81
	57.00	52.0	481.06	30.56	471.06	30.56	461.06	30.56	451.06	30.57	441.06	30.57	434.26	30.56
	62.00	56.0	498.79	30.37	488.79	30.37	478.79	30.37	468.79	30.38	457.12	30.19	434.26	28.41
	67.00	61.0	520.95	30.13	510.95	30.13	500.95	30.13	490.95	30.14	457.12	27.71	434.26	26.10
	72.00	66.0	543.12	29.89	533.12	29.89	523.12	29.89	491.40	27.82	457.12	25.57	434.26	24.11
75.00	69.0	556.42	29.74	546.41	29.75	536.41	29.75	491.67	26.44	457.12	24.29	434.26	22.92	
120	-3.00	-4.0	193.45	25.50	193.45	25.94	192.67	26.40	192.28	26.99	191.62	27.42	191.12	27.73
	2.00	1.0	208.98	27.12	208.51	27.51	207.56	27.85	207.16	28.36	206.39	28.64	205.97	28.87
	7.00	6.0	227.39	28.81	226.82	29.03	225.80	29.28	225.39	29.68	224.98	29.82	224.16	29.98
	12.00	10.0	242.30	30.56	241.64	30.63	241.18	30.72	240.17	30.94	239.76	31.01	238.93	31.06
	17.00	15.0	255.71	32.13	254.78	32.14	254.47	32.14	253.24	32.15	253.24	32.16	253.24	32.16
	22.00	20.0	279.96	31.94	279.00	31.95	278.69	31.95	277.41	31.96	277.41	31.97	277.41	31.97
	27.00	24.0	297.66	31.75	297.43	31.76	296.71	31.76	296.08	31.77	295.77	31.78	295.13	31.78
	32.00	29.0	319.33	31.56	318.76	31.56	318.23	31.57	317.30	31.58	317.13	31.58	316.79	31.59
	37.00	34.0	343.32	31.37	342.84	31.37	342.25	31.38	342.04	31.39	351.02	31.39	350.58	31.39
	42.00	38.0	379.31	31.18	378.91	31.18	378.24	31.19	377.98	31.19	368.75	31.20	368.23	31.20
	47.00	43.0	427.84	30.99	418.60	30.99	409.37	31.00	400.14	31.00	390.91	31.01	384.76	31.01
	52.00	47.0	445.57	30.80	436.33	30.80	427.10	30.81	417.87	30.81	408.64	30.82	400.86	30.61
	57.00	52.0	467.73	30.56	458.50	30.57	449.27	30.57	440.03	30.57	421.95	29.53	400.86	27.80
	62.00	56.0	485.46	30.37	476.23	30.37	467.00	30.38	453.60	29.92	421.95	27.47	400.86	25.88
	67.00	61.0	507.62	30.13	498.39	30.13	485.25	29.73	453.60	27.46	421.95	25.24	400.86	23.81
	72.00	66.0	529.78	29.89	516.89	29.54	485.25	27.41	453.60	25.35	421.95	23.34	400.86	22.03
75.00	69.0	543.08	29.75	528.00	29.19	485.25	26.02	453.60	24.08	421.95	22.19	400.86	20.96	
110	-3.00	-4.0	192.28	26.28	192.28	26.81	191.50	27.21	191.12	27.65	190.73	28.03	189.95	28.21
	2.00	1.0	207.79	27.79	207.32	28.15	206.79	28.46	205.97	28.78	205.78	29.12	205.40	29.23
	7.00	6.0	226.16	29.24	225.58	29.50	225.08	29.71	224.16	29.91	224.01	30.12	223.70	30.17
	12.00	10.0	241.06	30.67	240.40	30.87	239.94	30.97	239.82	31.01	238.82	31.16	238.58	31.12
	17.00	15.0	254.47	32.14	254.47	32.15	253.65	32.15	253.24	32.16	252.00	32.17	252.00	32.17
	22.00	20.0	278.69	31.95	277.73	31.96	277.41	31.96	277.41	31.97	276.14	31.98	276.14	31.81
	27.00	24.0	297.35	31.76	296.64	31.76	296.19	31.77	295.13	31.78	294.50	31.78	293.87	31.44
	32.00	29.0	318.57	31.57	318.19	31.57	317.56	31.58	316.79	31.58	316.03	31.59	316.03	31.07
	37.00	34.0	342.68	31.38	342.20	31.38	341.61	31.39	340.76	31.39	339.48	31.40	338.20	30.71
	42.00	38.0	369.02	31.19	368.44	31.19	367.90	31.20	366.95	31.20	358.49	31.20	349.18	30.34
	47.00	43.0	414.50	31.00	406.04	31.00	397.58	31.00	389.11	31.01	380.65	31.01	367.45	29.97
	52.00	47.0	432.23	30.81	423.77	30.81	415.31	30.81	406.85	30.82	386.79	29.34	367.45	27.62
	57.00	52.0	454.39	30.57	445.93	30.57	437.47	30.57	415.80	29.02	386.79	26.66	367.45	25.13
	62.00	56.0	472.12	30.38	463.66	30.38	444.81	29.23	415.80	27.00	386.79	24.84	367.45	23.43
	67.00	61.0	494.29	30.14	473.82	28.90	444.81	26.83	415.80	24.82	386.79	22.86	367.45	21.59
	72.00	66.0	502.83	28.59	473.82	26.66	444.81	24.78	415.80	22.95	386.79	21.17	367.45	20.01
75.00	69.0	507.95	27.66	473.82	25.32	444.81	23.55	415.80	21.83	386.79	20.15	367.45	19.06	
100	-3.00	-4.0	191.87	27.24	191.30	27.57	191.12	27.85	189.95	28.29	189.95	28.58	189.95	30.01
	2.00	1.0	206.60	28.50	206.13	28.72	205.97	28.90	205.40	29.29	204.78	29.48	204.78	30.96
	7.00	6.0	225.39	29.73	224.47	29.87	224.16	30.00	223.70	30.30	222.93	30.40	222.93	31.92
	12.00	10.0	240.17	30.96	239.91	31.00	239.23	31.07	238.58	31.26	238.29	31.30	237.70	32.86
	17.00	15.0	253.24	32.15	253.24	32.16	252.41	32.16	252.00	32.17	251.59	32.18	250.76	32.18
	22.00	20.0	277.41	31.96	277.41	31.97	276.56	31.97	276.14	31.98	275.72	31.56	274.87	31.29
	27.00	24.0	296.08	31.77	295.37	31.77	294.92	31.78	293.87	31.78	293.77	30.94	293.55	30.39
	32.00	29.0	317.30	31.58	316.92	31.58	316.29	31.59	316.03	31.59	313.24	30.32	308.67	29.49
	37.00	34.0	341.40	31.38	340.92	31.39	340.33	31.39	338.20	31.39	325.39	29.70	313.86	28.60
	42.00	38.0	374.65	31.19	374.05	31.20	368.23	31.20	355.93	31.20	336.15	29.08	322.97	27.70
	47.00	43.0	411.50	31.00	402.36	31.01	385.78	31.01	378.00	31.00	351.63	28.46	334.05	26.80
	52.00	47.0	431.76	30.81	411.20	30.81	403.51	30.82	378.00	28.55	351.63	26.24	334.05	24.74
	57.00	52.0	441.06	30.57	430.74	30.26	404.37	28.08	378.00	25.96	351.63	23.90	334.05	22.56
	62.00	56.0	457.12	30.19	430.74	28.14	404.37	26.14	378.00	24.20	351.63	22.30	334.05	21.07
	67.00	61.0	457.12	27.71	430.74	25.85	404.37	24.04	378.00	22.28	351.63	20.57	334.05	19.45
	72.00	66.0	457.12	25.57	430.74	23.89	404.37	22.24	378.00	20.64	351.63	19.07	334.05	18.05
75.00	69.0	457.12	24.29	430.74	22.71	404.37	21.16	378.00	19.65	351.63	18.18	334.05	17.22	

Connected Capacity Ratio	Outdoor air temp.		Indoor air temp. °F DB											
			61°F		64°F		67°F		70°F		73°F		75°F	
			Tc	PI	Tc	PI	Tc	PI	Tc	PI	Tc	PI	Tc	PI
	°F DB	°F WB	MBH	kW	MBH	kW	MBH	kW	MBH	kW	MBH	kW	MBH	kW
90	-3.00	-4.0	189.21	29.96	188.34	30.32	188.05	30.64	188.05	31.11	186.90	31.43	186.90	33.01
	2.00	1.0	200.40	31.35	199.99	31.59	199.44	31.79	199.24	32.22	198.49	32.43	198.08	34.05
	7.00	6.0	215.94	32.56	215.60	32.56	215.00	32.57	214.75	32.58	214.06	32.59	213.56	32.60
	12.00	10.0	230.23	32.38	229.98	32.39	229.32	32.40	229.04	32.41	228.41	32.41	227.84	32.42
	17.00	15.0	245.64	32.16	245.64	32.17	245.64	32.17	244.44	32.18	244.44	32.19	244.44	32.19
	22.00	20.0	258.00	31.97	258.00	31.98	257.21	31.75	256.81	31.38	258.19	31.02	253.57	30.79
	27.00	24.0	271.52	31.78	270.87	31.78	270.65	31.33	270.36	30.58	275.92	29.85	271.30	29.38
	32.00	29.0	313.31	31.58	312.93	31.59	311.13	30.90	305.01	29.78	298.08	28.69	293.47	27.98
	37.00	34.0	357.46	31.39	352.92	31.40	343.33	30.48	327.17	28.98	316.47	27.52	300.64	26.57
	42.00	38.0	390.60	31.20	375.90	31.20	358.87	30.06	340.20	28.18	316.47	26.35	300.64	25.17
	47.00	43.0	399.99	31.01	380.91	31.01	363.93	29.63	340.20	27.38	316.47	25.19	300.64	23.76
	52.00	47.0	405.56	30.82	387.67	29.42	363.93	27.31	340.20	25.27	316.47	23.28	300.64	21.98
	57.00	52.0	411.40	28.66	387.67	26.73	363.93	24.86	340.20	23.03	316.47	21.25	300.64	20.09
	62.00	56.0	411.40	26.67	387.67	24.90	363.93	23.18	340.20	21.50	316.47	19.86	300.64	18.79
	67.00	61.0	411.40	24.52	387.67	22.92	363.93	21.36	340.20	19.84	316.47	18.35	300.64	17.38
	72.00	66.0	411.40	22.68	387.67	21.22	363.93	19.80	340.20	18.41	316.47	17.05	300.64	16.16
75.00	69.0	411.40	21.57	387.67	20.20	363.93	18.86	340.20	17.55	316.47	16.27	300.64	15.43	
80	-3.00	-4.0	187.32	32.96	186.46	33.35	186.17	33.70	186.17	34.23	185.79	34.58	185.02	33.02
	2.00	1.0	194.40	34.49	193.99	34.75	193.46	34.97	193.26	35.44	193.08	35.67	192.72	32.82
	7.00	6.0	207.31	32.57	206.98	32.58	206.40	32.59	206.16	32.59	206.02	32.60	205.73	32.61
	12.00	10.0	225.63	32.40	225.38	32.40	225.30	32.41	224.46	32.42	224.34	32.42	224.12	32.43
	17.00	15.0	243.19	32.17	242.29	32.18	242.00	32.18	242.00	32.19	238.42	32.19	238.32	32.20
	22.00	20.0	255.27	31.78	255.27	31.45	255.27	31.12	254.09	30.81	241.09	30.51	231.63	30.31
	27.00	24.0	292.58	31.38	290.93	30.72	284.72	30.07	271.82	29.43	265.66	28.82	255.25	28.42
	32.00	29.0	335.63	30.99	324.81	29.98	310.31	29.01	293.98	28.05	281.30	27.13	267.24	26.52
	37.00	34.0	352.80	30.59	336.00	29.25	319.20	27.95	302.40	26.68	281.30	25.44	267.24	24.63
	42.00	38.0	352.80	30.20	336.00	28.52	319.20	26.89	302.40	25.30	281.30	23.75	267.24	22.74
	47.00	43.0	352.80	29.80	336.00	27.79	319.20	25.83	302.40	23.92	281.30	22.06	267.24	20.85
	52.00	47.0	352.80	27.47	336.00	25.64	319.20	23.86	302.40	22.12	281.30	20.43	267.24	19.33
	57.00	52.0	352.80	25.00	336.00	23.36	319.20	21.77	302.40	20.22	281.30	18.70	267.24	17.71
	62.00	56.0	352.80	23.30	336.00	21.81	319.20	20.34	302.40	18.91	281.30	17.51	267.24	16.60
	67.00	61.0	352.80	21.48	336.00	20.12	319.20	18.79	302.40	17.49	281.30	16.22	267.24	15.39
	72.00	66.0	352.80	19.90	336.00	18.66	319.20	17.45	302.40	16.26	281.30	15.10	267.24	14.34
75.00	69.0	352.80	18.96	336.00	17.79	319.20	16.65	302.40	15.53	281.30	14.43	267.24	13.71	
70	-3.00	-4.0	185.45	32.99	185.45	33.00	184.69	33.01	184.31	33.02	184.31	33.03	184.31	33.04
	2.00	1.0	192.46	32.80	192.46	32.81	192.10	32.82	191.33	32.82	190.55	32.83	190.86	32.84
	7.00	6.0	205.24	32.59	205.24	32.60	204.95	32.60	204.10	32.61	200.87	32.61	200.04	32.62
	12.00	10.0	225.94	32.41	225.94	32.42	225.71	32.42	222.21	32.43	211.66	32.43	209.88	32.44
	17.00	15.0	252.12	32.18	251.19	32.19	245.91	32.19	234.74	32.20	221.90	32.20	220.03	32.21
	22.00	20.0	277.78	31.07	268.14	30.80	256.35	30.53	243.06	30.27	237.68	30.02	233.83	29.85
	27.00	24.0	303.57	29.96	289.08	29.41	275.05	28.87	260.79	28.34	246.14	27.83	233.83	27.49
	32.00	29.0	308.00	28.85	293.30	28.02	279.07	27.20	264.60	26.41	246.14	25.64	233.83	25.14
	37.00	34.0	308.00	27.73	293.30	26.62	279.07	25.54	264.60	24.48	246.14	23.45	233.83	22.78
	42.00	38.0	308.00	26.62	293.30	25.23	279.07	23.88	264.60	22.55	246.14	21.26	233.83	20.42
	47.00	43.0	308.00	25.51	293.30	23.84	279.07	22.21	264.60	20.62	246.14	19.08	233.83	18.06
	52.00	47.0	308.00	23.57	293.30	22.05	279.07	20.57	264.60	19.12	246.14	17.71	233.83	16.79
	57.00	52.0	308.00	21.51	293.30	20.15	279.07	18.82	264.60	17.53	246.14	16.26	233.83	15.43
	62.00	56.0	308.00	20.10	293.30	18.85	279.07	17.63	264.60	16.43	246.14	15.25	233.83	14.49
	67.00	61.0	308.00	18.57	293.30	17.43	279.07	16.32	264.60	15.23	246.14	14.16	233.83	13.47
	72.00	66.0	308.00	17.25	293.30	16.21	279.07	15.20	264.60	14.20	246.14	13.22	233.83	12.58
75.00	69.0	308.00	16.46	293.30	15.48	279.07	14.52	264.60	13.58	246.14	12.65	233.83	12.05	
60	-3.00	-4.0	176.61	33.01	173.13	33.02	169.23	33.03	165.54	33.04	161.80	33.05	160.41	33.06
	2.00	1.0	191.57	32.82	186.23	32.83	180.57	32.83	175.07	32.84	169.33	32.85	167.20	32.85
	7.00	6.0	211.62	32.60	204.18	32.61	196.51	32.62	188.96	32.62	180.96	32.63	178.00	32.63
	12.00	10.0	232.66	32.43	222.96	32.43	213.14	32.43	203.38	32.44	192.94	32.44	189.07	32.45
	17.00	15.0	254.69	32.20	242.56	32.20	230.43	32.20	218.30	32.21	205.26	32.21	200.43	31.75
	22.00	20.0	261.56	30.41	249.11	30.18	236.65	29.97	226.80	29.76	210.98	29.55	200.43	29.02
	27.00	24.0	268.16	28.61	255.39	28.17	242.62	27.73	226.80	27.30	210.98	26.89	200.43	26.30
	32.00	29.0	268.16	26.82	255.39	26.15	242.62	25.49	226.80	24.85	210.98	24.22	200.43	23.58
	37.00	34.0	268.16	25.03	255.39	24.14	242.62	23.26	226.80	22.40	210.98	21.56	200.43	20.85
	42.00	38.0	268.16	23.24	255.39	22.12	242.62	21.02	226.80	19.95	210.98	18.90	200.43	18.13
	47.00	43.0	274.27	21.45	258.45	20.10	242.62	18.78	226.80	17.49	210.98	16.23	200.43	15.41
	52.00	47.0	274.27	19.88	258.45	18.65	242.62	17.45	226.80	16.27	210.98	15.11	200.43	14.36
	57.00	52.0	274.27	18.20	258.45	17.10	242.62	16.02	226.80	14.96	210.98	13.92	200.43	13.24
	62.00	56.0	274.27	17.05	258.45	16.03	242.62	15.03	226.80	14.05	210.98	13.09	200.43	12.46
	67.00	61.0	274.27	15.80	258.45	14.87	242.62	13.96	226.80	13.07	210.98	12.19	200.43	11.62
	72.00	66.0	274.27	14.72	258.45	13.87	242.62	13.04	226.80	12.22	210.98	11.41	200.43	10.88
75.00	69.0	274.27	14.07	258.45	13.27	242.62	12.48	226.80	11.71	210.98	10.94	200.43	10.44	
50	-3.00	-4.0	167.04	33.04	163.26	33.05	159.07	33.06	155.08	33.07	151.20	33.08	143.64	33.08
	2.00	1.0	178.48	32.84	172.68	32.85	166.55	32.85	160.59	32.86	154.72	32.86	146.98	32.87

Connected Capacity Ratio	Outdoor air temp.		Indoor air temp. °F DB											
			61°F		64°F		67°F		70°F		73°F		75°F	
			Tc	PI	Tc	PI	Tc	PI	Tc	PI	Tc	PI	Tc	PI
	°F DB	°F WB	MBH	kW	MBH	kW	MBH	kW	MBH	kW	MBH	kW	MBH	kW
	7.00	6.0	194.49	32.62	186.40	32.63	178.09	32.63	169.89	32.63	161.75	32.64	153.66	32.64
	12.00	10.0	211.18	32.44	200.63	32.44	189.96	32.45	179.36	32.45	168.78	32.45	160.34	31.43
	17.00	15.0	228.56	32.21	215.37	32.21	202.19	32.08	189.00	29.62	175.81	27.23	167.02	25.67
	22.00	20.0	228.56	29.78	215.37	29.61	202.19	29.32	189.00	27.10	175.81	24.94	167.02	23.54
	27.00	24.0	228.56	27.35	215.37	27.00	202.19	26.57	189.00	24.59	175.81	22.66	167.02	21.41
	32.00	29.0	228.56	24.92	215.37	24.40	202.19	23.81	189.00	22.07	175.81	20.38	167.02	19.28
	37.00	34.0	228.56	22.49	215.37	21.79	202.19	21.06	189.00	19.56	175.81	18.10	167.02	17.14
	42.00	38.0	228.56	20.06	215.37	19.18	202.19	18.30	189.00	17.04	175.81	15.81	167.02	15.01
	47.00	43.0	228.56	17.64	215.37	16.58	202.19	15.54	189.00	14.53	175.81	13.53	167.02	12.88
	52.00	47.0	228.56	16.40	215.37	15.43	202.19	14.48	189.00	13.55	175.81	12.64	167.02	12.04
	57.00	52.0	228.56	15.07	215.37	14.21	202.19	13.35	189.00	12.51	175.81	11.69	167.02	11.15
	62.00	56.0	228.56	14.16	215.37	13.36	202.19	12.57	189.00	11.79	175.81	11.03	167.02	10.53
	67.00	61.0	228.56	13.17	215.37	12.44	202.19	11.71	189.00	11.00	175.81	10.31	167.02	9.85
	72.00	66.0	228.56	12.31	215.37	11.63	202.19	10.97	189.00	10.32	175.81	9.68	167.02	9.25
	75.00	69.0	228.56	11.79	215.37	11.15	202.19	10.53	189.00	9.91	175.81	9.30	167.02	8.90

Table 78 - 38VMA384HDS5-1, 38VMA384HDS6-1

Connected Capacity Ratio	Outdoor air temp.		Indoor air temp. °F DB											
			61°F		64°F		67°F		70°F		73°F		75°F	
			Tc	PI	Tc	PI	Tc	PI	Tc	PI	Tc	PI	Tc	PI
	°F DB	°F WB	MBH	kW	MBH	kW	MBH	kW	MBH	kW	MBH	kW	MBH	kW
135	-3.00	-4.0	212.12	26.40	211.16	27.14	210.85	27.76	210.39	28.42	209.58	28.96	209.58	29.33
	2.00	1.0	229.08	28.51	228.10	29.07	227.32	29.59	226.48	30.07	226.25	30.43	225.80	30.71
	7.00	6.0	249.19	30.56	248.18	30.98	247.29	31.35	247.01	31.67	246.22	31.90	245.67	32.05
	12.00	10.0	265.45	32.73	264.43	32.97	263.45	33.14	263.13	33.23	262.42	33.35	261.78	33.39
	17.00	15.0	280.05	34.81	279.04	34.82	278.71	34.83	277.36	34.84	276.91	34.85	276.01	34.85
	22.00	20.0	306.53	34.61	305.49	34.61	305.14	34.62	303.75	34.63	303.29	34.64	302.37	34.65
	27.00	24.0	325.81	34.40	325.56	34.41	324.78	34.42	324.09	34.42	322.94	34.43	322.71	34.44
	32.00	29.0	349.44	34.20	348.82	34.20	348.24	34.21	347.23	34.22	346.40	34.22	345.84	34.23
	37.00	34.0	375.60	33.99	375.07	34.00	374.43	34.00	373.50	34.01	372.57	34.02	372.11	34.02
	42.00	38.0	436.11	33.79	435.66	33.79	434.89	33.80	423.99	33.80	422.90	33.81	422.51	33.81
	47.00	43.0	480.85	33.58	469.95	33.59	459.05	33.59	448.15	33.60	437.25	33.60	429.98	33.61
	52.00	47.0	500.18	33.38	489.28	33.38	478.38	33.39	467.48	33.39	456.58	33.40	449.31	33.40
	57.00	52.0	524.33	33.12	513.43	33.12	502.53	33.13	491.63	33.13	480.73	33.14	473.32	33.12
	62.00	56.0	543.66	32.91	532.76	32.92	521.86	32.92	510.96	32.92	498.23	32.73	473.32	30.80
	67.00	61.0	567.91	32.65	556.91	32.66	546.01	32.66	535.11	32.67	498.23	30.03	473.32	28.29
72.00	66.0	591.97	32.39	581.07	32.40	570.17	32.40	535.60	30.16	498.23	27.72	473.32	26.13	
75.00	69.0	606.46	32.24	595.56	32.24	584.66	32.25	535.89	28.65	498.23	26.33	473.32	24.84	
120	-3.00	-4.0	210.85	27.64	210.85	28.12	210.00	28.62	209.58	29.25	208.85	29.72	208.31	30.05
	2.00	1.0	227.78	29.40	227.27	29.82	226.23	30.19	225.80	30.73	224.95	31.04	224.50	31.29
	7.00	6.0	247.85	31.23	247.22	31.46	246.11	31.73	245.67	32.17	245.22	32.33	244.32	32.49
	12.00	10.0	264.09	33.12	263.37	33.19	262.87	33.29	261.78	33.54	261.33	33.61	260.43	33.67
	17.00	15.0	278.71	34.82	277.70	34.83	277.36	34.84	276.01	34.85	276.01	34.86	276.01	34.86
	22.00	20.0	305.14	34.62	304.10	34.62	303.75	34.63	302.37	34.64	302.37	34.65	302.37	34.65
	27.00	24.0	324.44	34.41	324.18	34.42	323.40	34.43	322.71	34.43	322.37	34.44	321.68	34.44
	32.00	29.0	348.06	34.21	347.43	34.21	346.86	34.22	345.84	34.23	345.66	34.23	345.29	34.24
	37.00	34.0	374.20	34.00	373.68	34.01	373.04	34.01	372.80	34.02	382.59	34.02	382.11	34.03
	42.00	38.0	413.42	33.79	412.99	33.80	412.27	33.81	411.98	33.81	401.91	33.82	401.35	33.82
	47.00	43.0	466.32	33.59	456.26	33.59	446.19	33.60	436.13	33.60	426.07	33.61	419.36	33.61
	52.00	47.0	485.64	33.38	475.58	33.39	465.52	33.39	455.46	33.40	445.40	33.40	436.91	33.18
	57.00	52.0	509.80	33.13	499.74	33.13	489.68	33.13	479.61	33.14	459.91	32.01	436.91	30.13
	62.00	56.0	529.12	32.92	519.06	32.92	509.00	32.93	494.40	32.43	459.91	29.77	436.91	28.05
	67.00	61.0	553.28	32.66	543.22	32.66	528.89	32.23	494.40	29.76	459.91	27.36	436.91	25.80
72.00	66.0	577.44	32.40	563.39	32.02	528.89	29.71	494.40	27.47	459.91	25.29	436.91	23.87	
75.00	69.0	591.93	32.24	575.49	31.63	528.89	28.21	494.40	26.10	459.91	24.05	436.91	22.72	
110	-3.00	-4.0	209.58	28.48	209.58	29.06	208.73	29.49	208.31	29.97	207.88	30.38	207.04	30.58
	2.00	1.0	226.48	30.12	225.97	30.52	225.38	30.85	224.50	31.19	224.29	31.56	223.88	31.68
	7.00	6.0	246.50	31.70	245.88	31.97	245.33	32.20	244.32	32.42	244.16	32.65	243.82	32.70
	12.00	10.0	262.74	33.24	262.02	33.46	261.52	33.57	261.39	33.61	260.30	33.78	260.04	33.73
	17.00	15.0	277.36	34.83	277.36	34.84	276.46	34.85	276.01	34.86	274.67	34.87	274.67	34.87
	22.00	20.0	303.75	34.63	302.71	34.64	302.37	34.64	302.37	34.65	300.98	34.66	300.98	34.47
	27.00	24.0	324.09	34.42	323.32	34.43	322.83	34.43	321.68	34.44	320.99	34.45	320.30	34.08
	32.00	29.0	347.23	34.22	346.81	34.22	346.12	34.23	345.29	34.23	344.46	34.24	344.46	33.68
	37.00	34.0	373.50	34.01	372.98	34.01	372.34	34.02	371.41	34.02	370.01	34.03	368.62	33.28
	42.00	38.0	402.21	33.80	401.58	33.81	400.99	33.81	399.96	33.82	390.74	33.82	380.59	32.88
	47.00	43.0	451.78	33.60	442.56	33.60	433.34	33.60	424.11	33.61	414.89	33.61	400.50	32.49
52.00	47.0	471.11	33.39	461.89	33.39	452.66	33.40	443.44	33.40	421.58	31.80	400.50	29.94	

Connected Capacity Ratio	Outdoor air temp.		Indoor air temp. °F DB												
			61°F		64°F		67°F		70°F		73°F		75°F		
			Tc	PI	Tc	PI	Tc	PI	Tc	PI	Tc	PI	Tc	PI	
	°F DB	°F WB	MBH	kW	MBH	kW	MBH	kW	MBH	kW	MBH	kW	MBH	kW	
100	57.00	52.0	495.27	33.13	486.04	33.13	476.82	33.14	453.20	31.46	421.58	28.90	400.50	27.24	
	62.00	56.0	514.59	32.92	505.37	32.93	484.82	31.68	453.20	29.27	421.58	26.92	400.50	25.40	
	67.00	61.0	538.75	32.66	516.44	31.33	484.82	29.09	453.20	26.90	421.58	24.78	400.50	23.40	
	72.00	66.0	548.06	30.99	516.44	28.90	484.82	26.86	453.20	24.88	421.58	22.94	400.50	21.69	
	75.00	69.0	553.64	29.98	516.44	27.44	484.82	25.52	453.20	23.66	421.58	21.84	400.50	20.66	
	-3.00	-4.0	209.12	29.52	208.51	29.88	208.31	30.19	207.04	30.66	207.04	30.97	207.04	30.97	32.52
	2.00	1.0	225.18	30.89	224.67	31.13	224.50	31.33	223.88	31.75	223.20	31.95	223.20	31.95	33.55
	7.00	6.0	245.67	32.22	244.66	32.38	244.32	32.51	243.82	32.84	242.98	32.95	242.98	32.95	34.60
	12.00	10.0	261.78	33.56	261.49	33.60	260.75	33.67	260.04	33.88	259.72	33.92	259.08	33.92	35.62
	17.00	15.0	276.01	34.85	276.01	34.85	275.12	34.86	274.67	34.87	274.22	34.88	273.32	34.88	36.62
	22.00	20.0	302.37	34.64	302.37	34.65	301.44	34.65	300.98	34.66	300.52	34.66	300.52	34.66	37.62
	27.00	24.0	322.71	34.43	321.94	34.44	321.45	34.44	320.30	34.45	320.19	33.53	319.96	33.53	38.62
	32.00	29.0	345.84	34.22	345.43	34.23	344.74	34.24	344.46	34.23	341.42	32.86	336.44	31.97	39.62
	37.00	34.0	372.11	34.02	371.58	34.02	370.94	34.03	368.62	34.02	354.65	32.19	342.09	30.99	40.62
	42.00	38.0	408.34	33.81	407.70	33.81	401.35	33.82	387.94	33.81	366.39	31.51	352.02	30.02	41.62
	47.00	43.0	448.51	33.60	438.55	33.61	420.48	33.61	412.00	33.60	383.26	30.84	364.09	29.05	42.62
52.00	47.0	470.60	33.40	448.19	33.40	439.81	33.40	412.00	30.95	383.26	28.45	364.09	26.82	43.62	
57.00	52.0	480.73	33.14	469.49	32.80	440.74	30.44	412.00	28.14	383.26	25.91	364.09	24.46	44.62	
62.00	56.0	498.23	32.73	469.49	30.50	440.74	28.33	412.00	26.22	383.26	24.17	364.09	22.84	45.62	
67.00	61.0	498.23	30.03	469.49	28.02	440.74	26.06	412.00	24.15	383.26	22.29	364.09	21.08	46.62	
72.00	66.0	498.23	27.72	469.49	25.89	440.74	24.11	412.00	22.37	383.26	20.67	364.09	19.57	47.62	
75.00	69.0	498.23	26.33	469.49	24.61	440.74	22.94	412.00	21.30	383.26	19.70	364.09	18.66	48.62	
90	-3.00	-4.0	206.22	32.48	205.28	32.87	204.97	33.21	204.97	33.72	203.71	34.07	203.71	35.77	
	2.00	1.0	218.43	33.98	217.97	34.24	217.38	34.46	217.16	34.92	216.34	35.15	215.90	36.91	
	7.00	6.0	235.36	35.29	235.00	35.30	234.34	35.31	234.07	35.31	233.31	35.32	232.77	35.33	
	12.00	10.0	250.94	35.10	250.66	35.11	249.95	35.12	249.64	35.12	248.96	35.13	248.34	35.14	
	17.00	15.0	267.74	34.86	267.74	34.87	267.74	34.87	266.43	34.88	266.43	34.89	266.43	34.89	
	22.00	20.0	281.21	34.65	281.21	34.66	280.34	34.41	279.91	34.01	281.41	33.62	276.38	33.37	
	27.00	24.0	295.95	34.44	295.23	34.45	295.00	33.95	294.68	33.14	300.74	32.36	295.71	31.84	
	32.00	29.0	341.49	34.23	341.08	34.24	339.12	33.50	332.44	32.28	324.90	31.09	319.86	30.32	
	37.00	34.0	389.62	34.03	384.66	34.03	374.21	33.04	356.60	31.41	344.93	29.83	327.68	28.80	
	42.00	38.0	425.73	33.82	409.71	33.82	391.15	32.58	370.80	30.54	344.93	28.56	327.68	27.28	
	47.00	43.0	435.97	33.61	415.17	33.61	396.67	32.12	370.80	29.67	344.93	27.30	327.68	25.76	
	52.00	47.0	442.04	33.40	422.54	31.88	396.67	29.60	370.80	27.38	344.93	25.23	327.68	23.82	
	57.00	52.0	448.41	31.06	422.54	28.98	396.67	26.94	370.80	24.96	344.93	23.03	327.68	21.77	
	62.00	56.0	448.41	28.91	422.54	26.99	396.67	25.12	370.80	23.30	344.93	21.52	327.68	20.37	
	67.00	61.0	448.41	26.58	422.54	24.85	396.67	23.15	370.80	21.50	344.93	19.89	327.68	18.84	
	72.00	66.0	448.41	24.58	422.54	23.00	396.67	21.46	370.80	19.95	344.93	18.48	327.68	17.52	
75.00	69.0	448.41	23.38	422.54	21.90	396.67	20.44	370.80	19.02	344.93	17.64	327.68	16.73		
80	-3.00	-4.0	204.17	35.72	203.23	36.15	202.92	36.53	202.92	37.10	202.50	37.48	201.66	35.79	
	2.00	1.0	211.88	37.38	211.44	37.67	210.86	37.91	210.65	38.41	210.45	38.66	210.06	35.58	
	7.00	6.0	225.95	35.30	225.60	35.31	224.96	35.32	224.70	35.33	224.55	35.34	224.24	35.34	
	12.00	10.0	245.93	35.12	245.65	35.12	245.56	35.13	244.65	35.14	244.52	35.14	244.28	35.15	
	17.00	15.0	265.06	34.87	264.09	34.88	263.76	34.88	263.76	34.89	259.86	34.89	259.76	34.90	
	22.00	20.0	278.23	34.44	278.23	34.08	278.23	33.74	276.94	33.40	262.77	33.06	252.47	32.85	
	27.00	24.0	318.90	34.02	317.10	33.29	310.33	32.59	296.27	31.90	289.56	31.23	278.20	30.80	
	32.00	29.0	365.82	33.59	354.02	32.50	338.22	31.44	320.42	30.41	306.60	29.40	291.27	28.75	
	37.00	34.0	384.53	33.16	366.22	31.71	347.91	30.29	329.60	28.91	306.60	27.57	291.27	26.70	
	42.00	38.0	384.53	32.73	366.22	30.91	347.91	29.14	329.60	27.42	306.60	25.74	291.27	24.65	
	47.00	43.0	384.53	32.30	366.22	30.12	347.91	28.00	329.60	25.93	306.60	23.91	291.27	22.60	
	52.00	47.0	384.53	29.77	366.22	27.79	347.91	25.86	329.60	23.98	306.60	22.14	291.27	20.95	
	57.00	52.0	384.53	27.09	366.22	25.32	347.91	23.60	329.60	21.91	306.60	20.27	291.27	19.20	
	62.00	56.0	384.53	25.26	366.22	23.63	347.91	22.05	329.60	20.49	306.60	18.98	291.27	17.99	
	67.00	61.0	384.53	23.28	366.22	21.80	347.91	20.36	329.60	18.95	306.60	17.58	291.27	16.68	
	72.00	66.0	384.53	21.57	366.22	20.23	347.91	18.91	329.60	17.63	306.60	16.37	291.27	15.54	
75.00	69.0	384.53	20.55	366.22	19.28	347.91	18.04	329.60	16.83	306.60	15.64	291.27	14.86		
70	-3.00	-4.0	202.14	35.75	202.14	35.77	201.30	35.78	200.89	35.79	200.89	35.80	200.89	35.81	
	2.00	1.0	209.77	35.55	209.77	35.56	209.38	35.57	208.54	35.58	207.68	35.59	208.03	35.59	
	7.00	6.0	223.70	35.32	223.70	35.33	223.39	35.34	222.46	35.34	218.94	35.35	218.03	35.35	
	12.00	10.0	246.26	35.13	246.26	35.14	246.01	35.14	242.20	35.15	230.70	35.15	228.76	35.16	
	17.00	15.0	274.80	34.88	273.79	34.89	268.03	34.89	255.85	34.90	241.86	34.90	239.82	34.91	
	22.00	20.0	302.77	33.68	292.26	33.38	279.41	33.09	264.92	32.81	259.05	32.53	254.87	32.35	
	27.00	24.0	330.87	32.47	315.08	31.87	299.79	31.29	284.25	30.72	268.28	30.16	254.87	29.80	
	32.00	29.0	335.70	31.27	319.68	30.36	304.17	29.49	288.40	28.63	268.28	27.79	254.87	27.24	
	37.00	34.0	335.70	30.06	319.68	28.86	304.17	27.68	288.40	26.54	268.28	25.42	254.87	24.69	
	42.00	38.0	335.70	28.85	319.68	27.35	304.17	25.88	288.40	24.45	268.28	23.05	254.87	22.13	
	47.00	43.0	335.70	27.65	319.68	25.84	304.17	24.08	288.40	22.35	268.28	20.68	254.87	19.58	
	52.00	47.0	335.70	25.54	319.68	23.90	304.17	22.30	288.40	20.73	268.28	19.20	254.87	18.20	
	57.00	52.0	335.70	23.31	319.68	21.84	304.17	20.40	288.40	19.00	268.28	17.62	254.87	16.72	
	62.00	56.0	335.70	21.78	319.68	20.43	304.17	19.10	288.40	17.80	268.28	16.53	254.87	15.70	

Connected Capacity Ratio	Outdoor air temp.		Indoor air temp. °F DB											
			61°F		64°F		67°F		70°F		73°F		75°F	
			Tc	PI	Tc	PI	Tc	PI	Tc	PI	Tc	PI	Tc	PI
	°F DB	°F WB	MBH	kW	MBH	kW	MBH	kW	MBH	kW	MBH	kW	MBH	kW
60	67.00	61.0	335.70	20.13	319.68	18.90	304.17	17.69	288.40	16.51	268.28	15.35	254.87	14.60
	72.00	66.0	335.70	18.70	319.68	17.57	304.17	16.47	288.40	15.39	268.28	14.33	254.87	13.63
	75.00	69.0	335.70	17.84	319.68	16.78	304.17	15.74	288.40	14.72	268.28	13.72	254.87	13.06
	-3.00	-4.0	192.49	35.78	188.70	35.79	184.45	35.81	180.43	35.82	176.35	35.83	174.84	35.83
	2.00	1.0	208.80	35.57	202.98	35.58	196.81	35.59	190.81	35.60	184.56	35.60	182.24	35.61
	7.00	6.0	230.65	35.34	222.55	35.35	214.19	35.35	205.96	35.36	197.24	35.36	194.01	35.37
	12.00	10.0	253.59	35.15	243.01	35.15	232.31	35.16	221.67	35.16	210.29	35.17	206.08	35.17
	17.00	15.0	277.60	34.90	264.38	34.90	251.16	34.91	237.94	34.91	223.72	34.91	218.46	34.41
	22.00	20.0	285.09	32.96	271.51	32.72	257.94	32.48	247.20	32.25	229.95	32.03	218.46	31.46
	27.00	24.0	292.28	31.01	278.36	30.53	264.45	30.06	247.20	29.59	229.95	29.14	218.46	28.51
	32.00	29.0	292.28	29.07	278.36	28.35	264.45	27.63	247.20	26.94	229.95	26.25	218.46	25.55
	37.00	34.0	292.28	27.13	278.36	26.16	264.45	25.21	247.20	24.28	229.95	23.37	218.46	22.60
	42.00	38.0	292.28	25.19	278.36	23.98	264.45	22.78	247.20	21.62	229.95	20.48	218.46	19.65
	47.00	43.0	298.94	23.25	281.69	21.79	264.45	20.36	247.20	18.96	229.95	17.59	218.46	16.70
	52.00	47.0	298.94	21.54	281.69	20.21	264.45	18.91	247.20	17.63	229.95	16.38	218.46	15.56
57.00	52.0	298.94	19.73	281.69	18.53	264.45	17.36	247.20	16.21	229.95	15.09	218.46	14.35	
62.00	56.0	298.94	18.48	281.69	17.38	264.45	16.30	247.20	15.23	229.95	14.19	218.46	13.51	
67.00	61.0	298.94	17.13	281.69	16.12	264.45	15.14	247.20	14.17	229.95	13.22	218.46	12.59	
72.00	66.0	298.94	15.95	281.69	15.03	264.45	14.13	247.20	13.24	229.95	12.37	218.46	11.80	
75.00	69.0	298.94	15.25	281.69	14.38	264.45	13.53	247.20	12.69	229.95	11.86	218.46	11.32	
50	-3.00	-4.0	182.07	35.81	177.95	35.82	173.37	35.83	169.02	35.84	164.80	35.85	156.56	35.86
	2.00	1.0	194.53	35.59	188.21	35.60	181.54	35.61	175.04	35.61	168.63	35.62	160.20	35.62
	7.00	6.0	211.98	35.36	203.16	35.36	194.11	35.37	185.17	35.37	176.30	35.38	167.48	35.38
	12.00	10.0	230.18	35.16	218.68	35.16	207.05	35.17	195.49	35.17	183.96	35.18	174.76	34.06
	17.00	15.0	249.12	34.91	234.74	34.91	220.37	34.77	206.00	32.10	191.63	29.51	182.05	27.83
	22.00	20.0	249.12	32.28	234.74	32.09	220.37	31.78	206.00	29.37	191.63	27.04	182.05	25.52
	27.00	24.0	249.12	29.64	234.74	29.27	220.37	28.80	206.00	26.65	191.63	24.56	182.05	23.20
	32.00	29.0	249.12	27.01	234.74	26.44	220.37	25.81	206.00	23.92	191.63	22.09	182.05	20.89
	37.00	34.0	249.12	24.38	234.74	23.62	220.37	22.82	206.00	21.20	191.63	19.61	182.05	18.58
	42.00	38.0	249.12	21.75	234.74	20.79	220.37	19.83	206.00	18.47	191.63	17.14	182.05	16.27
	47.00	43.0	249.12	19.12	234.74	17.97	220.37	16.85	206.00	15.75	191.63	14.66	182.05	13.96
	52.00	47.0	249.12	17.77	234.74	16.73	220.37	15.70	206.00	14.69	191.63	13.70	182.05	13.05
	57.00	52.0	249.12	16.34	234.74	15.40	220.37	14.47	206.00	13.56	191.63	12.67	182.05	12.08
	62.00	56.0	249.12	15.35	234.74	14.48	220.37	13.62	206.00	12.78	191.63	11.95	182.05	11.41
	67.00	61.0	249.12	14.27	234.74	13.48	220.37	12.70	206.00	11.93	191.63	11.17	182.05	10.67
72.00	66.0	249.12	13.34	234.74	12.61	220.37	11.89	206.00	11.18	191.63	10.49	182.05	10.03	
75.00	69.0	249.12	12.78	234.74	12.09	220.37	11.41	206.00	10.74	191.63	10.08	182.05	9.64	

Table 79 - 38VMA408HDS5-1, 38VMA408HDS6-1

Connected Capacity Ratio	Outdoor air temp.		Indoor air temp. °F DB											
			61°F		64°F		67°F		70°F		73°F		75°F	
			Tc	PI	Tc	PI	Tc	PI	Tc	PI	Tc	PI	Tc	PI
	°F DB	°F WB	MBH	kW	MBH	kW	MBH	kW	MBH	kW	MBH	kW	MBH	kW
135	-3.00	-4.0	229.62	28.20	228.59	29.00	228.25	29.66	227.76	30.36	226.87	30.94	226.87	31.34
	2.00	1.0	247.98	30.46	246.93	31.06	246.08	31.62	245.17	32.13	244.92	32.51	244.43	32.81
	7.00	6.0	269.75	32.65	268.66	33.10	267.69	33.50	267.39	33.83	266.54	34.08	265.94	34.24
	12.00	10.0	287.35	34.97	286.25	35.23	285.19	35.41	284.84	35.50	284.08	35.63	283.38	35.68
	17.00	15.0	303.16	37.19	302.07	37.20	301.71	37.21	300.25	37.22	299.76	37.23	298.79	37.24
	22.00	20.0	331.82	36.97	330.70	36.98	330.32	36.99	328.82	37.00	328.32	37.01	327.32	37.02
	27.00	24.0	352.70	36.76	352.42	36.76	351.58	36.77	350.84	36.78	349.59	36.79	349.35	36.79
	32.00	29.0	378.28	36.54	377.60	36.54	376.98	36.55	375.88	36.56	374.98	36.57	374.38	36.57
	37.00	34.0	406.59	36.32	406.03	36.33	405.33	36.33	404.33	36.34	403.32	36.35	402.81	36.35
	42.00	38.0	472.10	36.10	471.61	36.11	470.78	36.11	458.98	36.12	457.80	36.12	457.38	36.13
	47.00	43.0	520.53	35.88	508.73	35.89	496.93	35.89	485.13	35.90	473.33	35.90	465.47	35.91
	52.00	47.0	541.45	35.66	529.65	35.67	517.85	35.67	506.05	35.68	494.25	35.68	486.39	35.68
	57.00	52.0	567.60	35.39	555.80	35.39	544.00	35.40	532.20	35.40	520.40	35.40	512.38	35.39
	62.00	56.0	588.52	35.17	576.72	35.17	564.92	35.17	553.12	35.18	539.35	34.97	512.38	32.90
	67.00	61.0	614.67	34.89	602.87	34.89	591.07	34.90	579.27	34.90	539.35	32.08	512.38	30.22
72.00	66.0	640.82	34.61	629.02	34.62	617.22	34.62	579.80	32.22	539.35	29.62	512.38	27.92	
75.00	69.0	656.51	34.45	644.71	34.45	632.91	34.45	580.12	30.61	539.35	28.13	512.38	26.54	
120	-3.00	-4.0	228.25	29.54	228.25	30.04	227.33	30.58	226.87	31.25	226.09	31.76	225.50	32.11
	2.00	1.0	246.57	31.41	246.02	31.86	244.90	32.25	244.43	32.84	243.52	33.17	243.03	33.43
	7.00	6.0	268.30	33.36	267.62	33.61	266.42	33.91	265.94	34.37	265.45	34.54	264.49	34.72
	12.00	10.0	285.89	35.39	285.10	35.47	284.56	35.57	283.38	35.83	282.89	35.91	281.92	35.97
	17.00	15.0	301.71	37.21	300.61	37.22	300.25	37.22	298.79	37.23	298.79	37.24	298.79	37.25
	22.00	20.0	330.32	36.99	329.19	36.99	328.82	37.00	327.32	37.01	327.32	37.02	327.32	37.03
27.00	24.0	351.21	36.77	350.93	36.77	350.09	36.78	349.35	36.79	348.97	36.80	348.23	36.80	

Connecte d Capacity Ratio	Outdoor air temp.		Indoor air temp. °F DB											
			61°F		64°F		67°F		70°F		73°F		75°F	
			Tc	PI	Tc	PI	Tc	PI	Tc	PI	Tc	PI	Tc	PI
	°F DB	°F WB	MBH	kW	MBH	kW	MBH	kW	MBH	kW	MBH	kW	MBH	kW
110	32.00	29.0	376.78	36.55	376.11	36.55	375.48	36.56	374.38	36.57	374.18	36.58	373.78	36.58
	37.00	34.0	405.08	36.33	404.51	36.33	403.82	36.34	403.57	36.35	414.16	36.35	413.64	36.36
	42.00	38.0	447.54	36.11	447.07	36.11	446.29	36.12	445.97	36.12	435.08	36.13	434.47	36.13
	47.00	43.0	504.80	35.89	493.91	35.89	483.02	35.90	472.12	35.90	461.23	35.91	453.97	35.91
	52.00	47.0	525.72	35.67	514.83	35.67	503.94	35.68	493.04	35.68	482.15	35.69	472.97	35.45
	57.00	52.0	551.87	35.39	540.98	35.40	530.09	35.40	519.19	35.41	497.86	34.20	472.97	32.19
	62.00	56.0	572.79	35.17	561.90	35.18	551.01	35.18	535.20	34.65	497.86	31.81	472.97	29.97
	67.00	61.0	598.94	34.89	588.05	34.90	572.54	34.43	535.20	31.80	497.86	29.23	472.97	27.57
	72.00	66.0	625.09	34.62	609.88	34.21	572.54	31.75	535.20	29.35	497.86	27.02	472.97	25.51
	75.00	69.0	640.78	34.45	622.98	33.80	572.54	30.14	535.20	27.89	497.86	25.70	472.97	24.27
	-3.00	-4.0	226.87	30.43	226.87	31.05	225.96	31.51	225.50	32.02	225.04	32.46	224.12	32.67
	2.00	1.0	245.17	32.18	244.62	32.60	243.98	32.96	243.03	33.33	242.80	33.72	242.35	33.85
	7.00	6.0	266.85	33.87	266.17	34.16	265.58	34.40	264.49	34.64	264.30	34.89	263.94	34.94
	12.00	10.0	284.43	35.52	283.64	35.75	283.10	35.87	282.96	35.91	281.78	36.09	281.50	36.04
	17.00	15.0	300.25	37.22	300.25	37.23	299.28	37.24	298.79	37.24	297.33	37.25	297.33	37.26
	22.00	20.0	328.82	37.00	327.69	37.01	327.32	37.01	327.32	37.02	325.82	37.03	325.82	36.83
	27.00	24.0	350.84	36.78	350.00	36.79	349.47	36.79	348.23	36.80	347.48	36.81	346.74	36.41
	32.00	29.0	375.88	36.56	375.43	36.56	374.68	36.57	373.78	36.58	372.89	36.58	372.89	35.98
	37.00	34.0	404.33	36.34	403.76	36.34	403.07	36.35	402.06	36.35	400.55	36.36	399.04	35.56
	42.00	38.0	435.41	36.12	434.72	36.12	434.08	36.13	432.96	36.13	422.98	36.14	411.99	35.14
47.00	43.0	489.07	35.90	479.08	35.90	469.10	35.90	459.11	35.91	449.13	35.91	433.55	34.71	
52.00	47.0	509.99	35.68	500.00	35.68	490.02	35.68	480.03	35.69	456.37	33.97	433.55	31.99	
57.00	52.0	536.14	35.40	526.15	35.40	516.17	35.41	490.60	33.61	456.37	30.88	433.55	29.11	
62.00	56.0	557.06	35.18	547.07	35.18	524.83	33.85	490.60	31.27	456.37	28.76	433.55	27.14	
67.00	61.0	583.21	34.90	559.06	33.47	524.83	31.08	490.60	28.75	456.37	26.48	433.55	25.00	
72.00	66.0	593.28	33.11	559.06	30.88	524.83	28.70	490.60	26.58	456.37	24.51	433.55	23.17	
75.00	69.0	599.33	32.03	559.06	29.32	524.83	27.27	490.60	25.28	456.37	23.34	433.55	22.07	
-3.00	-4.0	226.38	31.54	225.72	31.92	225.50	32.26	224.12	32.76	224.12	33.09	224.12	34.75	
2.00	1.0	243.76	33.01	243.21	33.26	243.03	33.47	242.35	33.92	241.62	34.14	241.62	35.85	
7.00	6.0	265.94	34.43	264.85	34.59	264.49	34.74	263.94	35.09	263.03	35.21	263.03	36.97	
12.00	10.0	283.38	35.86	283.07	35.90	282.27	35.98	281.50	36.20	281.15	36.25	280.45	38.06	
17.00	15.0	298.79	37.23	298.79	37.24	297.82	37.25	297.33	37.26	296.85	37.26	295.88	37.27	
22.00	20.0	327.32	37.01	327.32	37.02	326.32	37.02	325.82	37.03	325.32	36.54	324.31	36.23	
27.00	24.0	349.35	36.79	348.51	36.80	347.98	36.80	346.74	36.80	346.61	35.83	346.36	35.19	
32.00	29.0	374.38	36.57	373.93	36.57	373.19	36.58	372.89	36.58	369.59	35.11	364.20	34.15	
37.00	34.0	402.81	36.35	402.25	36.35	401.55	36.36	399.04	36.35	383.92	34.39	370.32	33.12	
42.00	38.0	442.04	36.12	441.34	36.13	434.47	36.13	419.95	36.13	396.62	33.67	381.07	32.08	
47.00	43.0	485.53	35.90	474.75	35.91	455.18	35.91	446.00	35.90	414.88	32.95	394.14	31.04	
52.00	47.0	509.44	35.68	485.18	35.69	476.10	35.69	446.00	33.06	414.88	30.39	394.14	28.66	
57.00	52.0	520.40	35.40	508.23	35.05	477.12	32.52	446.00	30.07	414.88	27.68	394.14	26.13	
62.00	56.0	539.35	34.97	508.23	32.59	477.12	30.27	446.00	28.02	414.88	25.83	394.14	24.40	
67.00	61.0	539.35	32.08	508.23	29.94	477.12	27.84	446.00	25.80	414.88	23.82	394.14	22.52	
72.00	66.0	539.35	29.62	508.23	27.66	477.12	25.76	446.00	23.90	414.88	22.09	394.14	20.91	
75.00	69.0	539.35	28.13	508.23	26.30	477.12	24.51	446.00	22.76	414.88	21.05	394.14	19.94	
-3.00	-4.0	223.24	34.70	222.22	35.11	221.88	35.48	221.88	36.03	220.52	36.40	220.52	38.22	
2.00	1.0	236.45	36.31	235.96	36.59	235.32	36.82	235.08	37.31	234.19	37.56	233.72	39.43	
7.00	6.0	254.78	37.70	254.39	37.71	253.67	37.72	253.38	37.73	252.57	37.74	251.98	37.75	
12.00	10.0	271.65	37.50	271.35	37.51	270.58	37.52	270.24	37.53	269.50	37.54	268.83	37.54	
17.00	15.0	289.83	37.25	289.83	37.25	289.83	37.26	288.41	37.27	288.41	37.27	288.41	37.28	
22.00	20.0	304.41	37.02	304.41	37.03	303.48	36.77	303.01	36.34	304.64	35.92	299.19	35.65	
27.00	24.0	320.37	36.80	319.60	36.81	319.34	36.28	319.00	35.41	325.56	34.57	320.11	34.02	
32.00	29.0	369.67	36.58	369.23	36.58	367.10	35.79	359.88	34.49	351.71	33.22	346.26	32.40	
37.00	34.0	421.77	36.35	416.41	36.36	405.09	35.30	386.03	33.56	373.40	31.87	354.73	30.77	
42.00	38.0	460.87	36.13	443.52	36.14	423.42	34.81	401.40	32.63	373.40	30.52	354.73	29.15	
47.00	43.0	471.95	35.91	449.43	35.91	429.40	34.32	401.40	31.71	373.40	29.17	354.73	27.52	
52.00	47.0	478.52	35.69	457.41	34.06	429.40	31.63	401.40	29.26	373.40	26.95	354.73	25.45	
57.00	52.0	485.41	33.19	457.41	30.96	429.40	28.79	401.40	26.67	373.40	24.61	354.73	23.26	
62.00	56.0	485.41	30.89	457.41	28.84	429.40	26.84	401.40	24.90	373.40	23.00	354.73	21.76	
67.00	61.0	485.41	28.40	457.41	26.55	429.40	24.74	401.40	22.97	373.40	21.25	354.73	20.13	
72.00	66.0	485.41	26.26	457.41	24.58	429.40	22.93	401.40	21.32	373.40	19.75	354.73	18.72	
75.00	69.0	485.41	24.98	457.41	23.39	429.40	21.84	401.40	20.33	373.40	18.84	354.73	17.87	
-3.00	-4.0	221.02	38.17	220.00	38.63	219.66	39.03	219.66	39.64	219.21	40.04	218.31	38.24	
2.00	1.0	229.37	39.94	228.89	40.25	228.26	40.50	228.03	41.04	227.82	41.31	227.39	38.01	
7.00	6.0	244.60	37.72	244.22	37.73	243.53	37.74	243.25	37.75	243.08	37.76	242.74	37.76	
12.00	10.0	266.22	37.52	265.93	37.53	265.83	37.53	264.84	37.54	264.70	37.55	264.44	37.55	
17.00	15.0	286.94	37.26	285.88	37.27	285.53	37.27	285.53	37.28	281.31	37.28	281.20	37.29	
22.00	20.0	301.19	36.80	301.19	36.42	301.19	36.04	299.80	35.68	284.46	35.33	273.30	35.10	
27.00	24.0	345.22	36.34	343.27	35.57	335.94	34.82	320.72	34.09	313.45	33.37	301.16	32.91	
32.00	29.0	396.01	35.89	383.24	34.72	366.14	33.59	346.87	32.49	331.91	31.42	315.31	30.72	
37.00	34.0	416.27	35.43	396.44	33.88	376.62	32.37	356.80	30.89	331.91	29.46	315.31	28.53	

Connecte d Capacity Ratio	Outdoor air temp.		Indoor air temp. °F DB											
			61°F		64°F		67°F		70°F		73°F		75°F	
			Tc	PI	Tc	PI	Tc	PI	Tc	PI	Tc	PI	Tc	PI
	°F DB	°F WB	MBH	kW	MBH	kW	MBH	kW	MBH	kW	MBH	kW	MBH	kW
70	42.00	38.0	416.27	34.97	396.44	33.03	376.62	31.14	356.80	29.30	331.91	27.50	315.31	26.34
	47.00	43.0	416.27	34.51	396.44	32.18	376.62	29.91	356.80	27.70	331.91	25.55	315.31	24.14
	52.00	47.0	416.27	31.81	396.44	29.69	376.62	27.63	356.80	25.62	331.91	23.66	315.31	22.38
	57.00	52.0	416.27	28.95	396.44	27.06	376.62	25.21	356.80	23.41	331.91	21.66	315.31	20.51
	62.00	56.0	416.27	26.99	396.44	25.25	376.62	23.55	356.80	21.90	331.91	20.28	315.31	19.22
	67.00	61.0	416.27	24.87	396.44	23.30	376.62	21.76	356.80	20.25	331.91	18.78	315.31	17.82
	72.00	66.0	416.27	23.05	396.44	21.61	376.62	20.21	356.80	18.83	331.91	17.49	315.31	16.61
	75.00	69.0	416.27	21.96	396.44	20.60	376.62	19.28	356.80	17.98	331.91	16.71	315.31	15.88
	-3.00	-4.0	218.82	38.20	218.82	38.21	217.92	38.23	217.47	38.24	217.47	38.25	217.47	38.26
	2.00	1.0	227.08	37.98	227.08	37.99	226.66	38.00	225.75	38.01	224.82	38.02	225.20	38.03
	7.00	6.0	242.16	37.74	242.16	37.75	241.82	37.75	240.82	37.76	237.00	37.77	236.03	37.77
	12.00	10.0	266.58	37.53	266.58	37.54	266.31	37.55	262.19	37.55	249.74	37.56	247.63	37.56
	17.00	15.0	297.48	37.27	296.38	37.28	290.15	37.28	276.96	37.29	261.82	37.29	259.61	37.30
	22.00	20.0	327.76	35.98	316.38	35.67	302.47	35.36	286.79	35.05	280.43	34.76	275.90	34.57
	27.00	24.0	358.18	34.69	341.08	34.05	324.53	33.43	307.71	32.82	290.42	32.23	275.90	31.84
32.00	29.0	363.41	33.41	346.06	32.44	329.27	31.50	312.20	30.59	290.42	29.69	275.90	29.11	
37.00	34.0	363.41	32.12	346.06	30.83	329.27	29.58	312.20	28.35	290.42	27.16	275.90	26.38	
42.00	38.0	363.41	30.83	346.06	29.22	329.27	27.65	312.20	26.12	290.42	24.62	275.90	23.65	
47.00	43.0	363.41	29.54	346.06	27.61	329.27	25.72	312.20	23.88	290.42	22.09	275.90	20.92	
52.00	47.0	363.41	27.29	346.06	25.54	329.27	23.82	312.20	22.15	290.42	20.51	275.90	19.44	
57.00	52.0	363.41	24.91	346.06	23.34	329.27	21.80	312.20	20.30	290.42	18.83	275.90	17.86	
62.00	56.0	363.41	23.28	346.06	21.83	329.27	20.41	312.20	19.02	290.42	17.67	275.90	16.78	
67.00	61.0	363.41	21.50	346.06	20.19	329.27	18.90	312.20	17.64	290.42	16.40	275.90	15.59	
72.00	66.0	363.41	19.98	346.06	18.78	329.27	17.60	312.20	16.44	290.42	15.31	275.90	14.57	
75.00	69.0	363.41	19.06	346.06	17.93	329.27	16.82	312.20	15.72	290.42	14.65	275.90	13.95	
60	-3.00	-4.0	208.38	38.23	204.27	38.24	199.67	38.26	195.31	38.27	190.90	38.28	189.27	38.29
	2.00	1.0	226.03	38.01	219.73	38.02	213.05	38.02	206.56	38.03	199.79	38.04	197.28	38.05
	7.00	6.0	249.69	37.76	240.91	37.76	231.87	37.77	222.96	37.78	213.51	37.78	210.02	37.79
	12.00	10.0	274.52	37.55	263.07	37.56	251.48	37.56	239.96	37.57	227.65	37.57	223.09	37.58
	17.00	15.0	300.51	37.29	286.20	37.29	271.89	37.29	257.58	37.30	242.18	37.30	236.48	37.30
	22.00	20.0	308.61	35.21	293.92	34.96	279.22	34.70	267.60	34.46	248.93	34.22	236.48	33.61
	27.00	24.0	316.40	33.14	301.34	32.62	286.27	32.11	267.60	31.62	248.93	31.14	236.48	30.46
	32.00	29.0	316.40	31.06	301.34	30.29	286.27	29.52	267.60	28.78	248.93	28.05	236.48	27.30
	37.00	34.0	316.40	28.99	301.34	27.95	286.27	26.93	267.60	25.94	248.93	24.97	236.48	24.15
	42.00	38.0	316.40	26.92	301.34	25.62	286.27	24.34	267.60	23.10	248.93	21.88	236.48	21.00
	47.00	43.0	323.61	24.84	304.94	23.28	286.27	21.75	267.60	20.26	248.93	18.80	236.48	17.84
	52.00	47.0	323.61	23.02	304.94	21.60	286.27	20.20	267.60	18.84	248.93	17.50	236.48	16.63
	57.00	52.0	323.61	21.08	304.94	19.80	286.27	18.55	267.60	17.32	248.93	16.12	236.48	15.33
	62.00	56.0	323.61	19.75	304.94	18.57	286.27	17.41	267.60	16.28	248.93	15.16	236.48	14.43
	67.00	61.0	323.61	18.30	304.94	17.22	286.27	16.17	267.60	15.14	248.93	14.12	236.48	13.46
72.00	66.0	323.61	17.04	304.94	16.06	286.27	15.10	267.60	14.15	248.93	13.22	236.48	12.60	
75.00	69.0	323.61	16.29	304.94	15.37	286.27	14.45	267.60	13.56	248.93	12.67	236.48	12.09	
50	-3.00	-4.0	197.09	38.27	192.63	38.28	187.68	38.29	182.97	38.29	178.40	38.30	169.48	38.31
	2.00	1.0	210.59	38.03	203.74	38.04	196.52	38.05	189.48	38.05	182.55	38.06	173.42	38.06
	7.00	6.0	229.48	37.78	219.93	37.78	210.12	37.79	200.45	37.79	190.85	37.80	181.30	37.80
	12.00	10.0	249.17	37.57	236.72	37.57	224.14	37.58	211.62	37.58	199.14	37.58	189.19	36.39
	17.00	15.0	269.68	37.30	254.12	37.30	238.56	37.15	223.00	34.30	207.44	31.53	197.07	29.73
	22.00	20.0	269.67	34.49	254.12	34.29	238.56	33.96	223.00	31.39	207.44	28.89	197.07	27.26
	27.00	24.0	269.67	31.67	254.12	31.27	238.56	30.77	223.00	28.47	207.44	26.24	197.07	24.79
	32.00	29.0	269.67	28.86	254.12	28.25	238.56	27.57	223.00	25.56	207.44	23.60	197.07	22.32
	37.00	34.0	269.67	26.05	254.12	25.23	238.56	24.38	223.00	22.65	207.44	20.96	197.07	19.85
	42.00	38.0	269.67	23.24	254.12	22.22	238.56	21.19	223.00	19.74	207.44	18.31	197.07	17.38
	47.00	43.0	269.67	20.42	254.12	19.20	238.56	18.00	223.00	16.82	207.44	15.67	197.07	14.91
	52.00	47.0	269.67	18.99	254.12	17.87	238.56	16.77	223.00	15.70	207.44	14.64	197.07	13.94
	57.00	52.0	269.67	17.46	254.12	16.45	238.56	15.46	223.00	14.49	207.44	13.53	197.07	12.91
	62.00	56.0	269.67	16.40	254.12	15.47	238.56	14.56	223.00	13.66	207.44	12.77	197.07	12.19
	67.00	61.0	269.67	15.25	254.12	14.40	238.56	13.57	223.00	12.74	207.44	11.93	197.07	11.40
72.00	66.0	269.67	14.25	254.12	13.47	238.56	12.71	223.00	11.95	207.44	11.21	197.07	10.72	
75.00	69.0	269.67	13.65	254.12	12.92	238.56	12.19	223.00	11.47	207.44	10.77	197.07	10.30	

Table 80 - 38VMA432HDS5-1, 38VMA432HDS6-1

Connected Capacity Ratio	Outdoor air temp.		Indoor air temp. °F DB											
			61°F		64°F		67°F		70°F		73°F		75°F	
			Tc	PI	Tc	PI	Tc	PI	Tc	PI	Tc	PI	Tc	PI
	°F DB	°F WB	MBH	kW	MBH	kW	MBH	kW	MBH	kW	MBH	kW	MBH	kW
135	-3.00	-4.0	247.13	30.24	246.02	31.10	245.65	31.81	245.12	32.56	244.17	33.18	244.17	33.61
	2.00	1.0	266.88	32.66	265.75	33.31	264.84	33.91	263.86	34.46	263.59	34.86	263.07	35.19
	7.00	6.0	290.32	35.02	289.14	35.50	288.10	35.92	287.78	36.28	286.86	36.55	286.21	36.72
	12.00	10.0	309.26	37.50	308.08	37.78	306.93	37.97	306.56	38.08	305.73	38.21	304.98	38.26
	17.00	15.0	326.27	39.89	325.10	39.90	324.71	39.91	323.14	39.92	322.61	39.93	321.57	39.94
	22.00	20.0	357.12	39.65	355.91	39.66	355.50	39.67	353.89	39.68	353.35	39.69	352.27	39.70
	27.00	24.0	379.59	39.42	379.29	39.43	378.39	39.44	377.58	39.44	376.25	39.45	375.98	39.46
	32.00	29.0	407.11	39.18	406.39	39.19	405.72	39.20	404.54	39.21	403.57	39.22	402.92	39.22
	37.00	34.0	437.59	38.95	436.98	38.96	436.23	38.96	435.15	38.97	434.06	38.98	433.52	38.98
	42.00	38.0	508.09	38.71	507.56	38.72	506.67	38.73	493.97	38.73	492.70	38.74	492.24	38.74
	47.00	43.0	560.21	38.48	547.52	38.49	534.82	38.49	522.12	38.50	509.42	38.50	500.95	38.51
	52.00	47.0	582.73	38.25	570.03	38.25	557.33	38.26	544.63	38.26	531.93	38.27	523.47	38.27
	57.00	52.0	610.87	37.95	598.17	37.95	585.47	37.96	572.77	37.96	560.08	37.97	551.44	37.95
	62.00	56.0	633.39	37.71	620.69	37.72	607.99	37.72	595.29	37.73	580.47	37.50	551.44	35.29
	67.00	61.0	661.53	37.42	648.83	37.42	636.13	37.42	623.43	37.43	580.47	34.41	551.44	32.41
	72.00	66.0	689.67	37.12	676.97	37.12	664.27	37.13	624.00	34.56	580.47	31.76	551.44	29.94
75.00	69.0	706.56	36.94	693.86	36.94	681.16	36.95	624.34	32.83	580.47	30.17	551.44	28.46	
120	-3.00	-4.0	245.65	31.67	245.65	32.22	244.66	32.79	244.17	33.52	243.32	34.06	242.69	34.44
	2.00	1.0	265.37	33.68	264.78	34.16	263.57	34.59	263.07	35.22	262.08	35.57	261.55	35.85
	7.00	6.0	288.75	35.78	288.02	36.05	286.73	36.36	286.21	36.86	285.69	37.04	284.65	37.23
	12.00	10.0	307.68	37.95	306.84	38.03	306.26	38.15	304.98	38.43	304.46	38.51	303.41	38.58
	17.00	15.0	324.71	39.90	323.53	39.91	323.14	39.92	321.57	39.93	321.57	39.94	321.57	39.95
	22.00	20.0	355.50	39.67	354.29	39.67	353.89	39.68	352.27	39.69	352.27	39.70	352.27	39.71
	27.00	24.0	377.98	39.43	377.68	39.44	376.78	39.45	375.98	39.45	375.58	39.46	374.77	39.47
	32.00	29.0	405.50	39.19	404.78	39.20	404.11	39.21	402.92	39.22	402.71	39.22	402.28	39.23
	37.00	34.0	435.96	38.96	435.35	38.97	434.61	38.97	434.34	38.98	445.74	38.99	445.18	38.99
	42.00	38.0	481.66	38.72	481.15	38.73	480.31	38.74	479.97	38.74	468.25	38.75	467.59	38.75
	47.00	43.0	543.28	38.49	531.56	38.49	519.84	38.50	508.12	38.50	496.39	38.51	488.58	38.51
	52.00	47.0	565.80	38.25	554.07	38.26	542.35	38.26	530.63	38.27	518.91	38.27	509.02	38.01
	57.00	52.0	593.94	37.96	582.22	37.96	570.50	37.96	558.77	37.97	535.81	36.68	509.02	34.52
	62.00	56.0	616.45	37.72	604.73	37.72	593.01	37.73	576.00	37.16	535.81	34.11	509.02	32.14
	67.00	61.0	644.60	37.42	632.88	37.43	616.19	36.93	576.00	34.10	535.81	31.35	509.02	29.57
	72.00	66.0	672.74	37.12	656.37	36.69	616.19	34.05	576.00	31.48	535.81	28.98	509.02	27.36
75.00	69.0	689.63	36.95	670.47	36.25	616.19	32.32	576.00	29.91	535.81	27.56	509.02	26.03	
110	-3.00	-4.0	244.17	32.63	244.17	33.30	243.18	33.79	242.69	34.34	242.19	34.81	241.21	35.04
	2.00	1.0	263.86	34.51	263.26	34.97	262.58	35.35	261.55	35.74	261.31	36.16	260.83	36.30
	7.00	6.0	287.19	36.32	286.46	36.64	285.82	36.89	284.65	37.14	284.45	37.41	284.06	37.47
	12.00	10.0	306.11	38.09	305.26	38.34	304.68	38.46	304.53	38.52	303.26	38.70	302.96	38.65
	17.00	15.0	323.14	39.91	323.14	39.92	322.09	39.93	321.57	39.94	320.00	39.95	320.00	39.96
	22.00	20.0	353.89	39.68	352.67	39.69	352.27	39.69	352.27	39.70	350.65	39.71	350.65	39.50
	27.00	24.0	377.58	39.44	376.68	39.45	376.11	39.46	374.77	39.46	373.97	39.47	373.17	39.05
	32.00	29.0	404.54	39.20	404.05	39.21	403.25	39.22	402.28	39.23	401.31	39.23	401.31	38.59
	37.00	34.0	435.15	38.97	434.54	38.97	433.79	38.98	432.71	38.99	431.08	38.99	429.45	38.14
	42.00	38.0	468.60	38.73	467.86	38.74	467.18	38.74	465.97	38.75	455.23	38.75	443.40	37.68
	47.00	43.0	526.35	38.50	515.61	38.50	504.86	38.50	494.11	38.51	483.37	38.51	466.60	37.22
	52.00	47.0	548.86	38.26	538.12	38.26	527.37	38.27	516.63	38.27	491.16	36.43	466.60	34.30
	57.00	52.0	577.01	37.96	566.26	37.97	555.52	37.97	528.00	36.04	491.16	33.12	466.60	31.21
	62.00	56.0	599.52	37.72	588.78	37.73	564.84	36.30	528.00	33.53	491.16	30.85	466.60	29.10
	67.00	61.0	627.67	37.43	601.67	35.90	564.84	33.33	528.00	30.83	491.16	28.40	466.60	26.81
	72.00	66.0	638.51	35.51	601.67	33.11	564.84	30.78	528.00	28.50	491.16	26.29	466.60	24.85
75.00	69.0	645.02	34.35	601.67	31.44	564.84	29.25	528.00	27.11	491.16	25.03	466.60	23.67	
100	-3.00	-4.0	243.64	33.83	242.93	34.23	242.69	34.59	241.21	35.13	241.21	35.49	241.21	37.27
	2.00	1.0	262.34	35.40	261.75	35.67	261.55	35.90	260.83	36.37	260.04	36.61	260.04	38.44
	7.00	6.0	286.21	36.92	285.04	37.10	284.65	37.26	284.06	37.63	283.08	37.76	283.08	39.65
	12.00	10.0	304.98	38.46	304.65	38.50	303.78	38.59	302.96	38.82	302.58	38.87	301.83	40.81
	17.00	15.0	321.57	39.93	321.57	39.94	320.52	39.95	320.00	39.95	319.48	39.96	318.43	39.97
	22.00	20.0	352.27	39.69	352.27	39.70	351.19	39.71	350.65	39.71	350.12	39.19	349.04	38.85
	27.00	24.0	375.98	39.45	375.07	39.46	374.51	39.47	373.17	39.47	373.03	38.42	372.77	37.74
	32.00	29.0	402.92	39.22	402.44	39.22	401.63	39.23	401.31	39.23	397.77	37.65	391.96	36.63
	37.00	34.0	433.52	38.98	432.91	38.98	432.17	38.99	429.45	38.98	413.19	36.88	398.55	35.51
	42.00	38.0	475.74	38.74	474.99	38.75	467.59	38.75	451.97	38.74	426.86	36.11	410.12	34.40
	47.00	43.0	522.54	38.50	510.94	38.51	489.88	38.51	480.00	38.50	446.51	35.34	424.19	33.29
	52.00	47.0	548.27	38.27	522.16	38.27	512.40	38.27	480.00	35.46	446.51	32.59	424.19	30.73
	57.00	52.0	560.08	37.97	546.98	37.59	513.49	34.88	480.00	32.25	446.51	29.69	424.19	28.02
	62.00	56.0	580.47	37.50	546.98	34.95	513.49	32.47	480.00	30.05	446.51	27.70	424.19	26.17
	67.00	61.0	580.47	34.41	546.98	32.11	513.49	29.86	480.00	27.67	446.51	25.54	424.19	24.15
	72.00	66.0	580.47	31.76	546.98	29.67	513.49	27.62	480.00	25.63	446.51	23.69	424.19	22.42
75.00	69.0	580.47	30.17	546.98	28.20	513.49	26.28	480.00	24.41	446.51	22.58	424.19	21.38	
90	-3.00	-4.0	240.26	37.21	239.16	37.66	238.80	38.05	238.80	38.64	237.33	39.04	237.33	40.99

Connected Capacity Ratio	Outdoor air temp.		Indoor air temp. °F DB											
			61°F		64°F		67°F		70°F		73°F		75°F	
			Tc	PI	Tc	PI	Tc	PI	Tc	PI	Tc	PI	Tc	PI
	°F DB	°F WB	MBH	kW	MBH	kW	MBH	kW	MBH	kW	MBH	kW	MBH	kW
60	2.00	1.0	254.48	38.94	253.95	39.24	253.26	39.49	253.01	40.01	252.05	40.28	251.53	42.29
	7.00	6.0	274.21	40.43	273.78	40.44	273.01	40.45	272.70	40.46	271.82	40.47	271.19	40.48
	12.00	10.0	292.36	40.22	292.03	40.23	291.20	40.24	290.84	40.25	290.05	40.25	289.32	40.26
	17.00	15.0	311.93	39.94	311.93	39.95	311.93	39.96	310.40	39.97	310.40	39.97	310.40	39.98
	22.00	20.0	327.62	39.70	327.62	39.71	326.61	39.43	326.11	38.97	327.86	38.52	322.00	38.23
	27.00	24.0	344.79	39.47	343.96	39.47	343.68	38.91	343.32	37.98	350.38	37.08	344.51	36.49
	32.00	29.0	397.86	39.23	397.38	39.23	395.09	38.38	387.31	36.98	378.52	35.63	372.66	34.74
	37.00	34.0	453.92	38.99	448.15	38.99	435.97	37.85	415.45	35.99	401.86	34.18	381.77	33.00
	42.00	38.0	496.00	38.75	477.33	38.75	455.70	37.33	432.00	35.00	401.86	32.73	381.77	31.26
	47.00	43.0	507.92	38.51	483.69	38.51	462.14	36.80	432.00	34.00	401.86	31.28	381.77	29.51
	52.00	47.0	515.00	38.27	492.28	36.53	462.14	33.92	432.00	31.38	401.86	28.91	381.77	27.30
	57.00	52.0	522.42	35.59	492.28	33.20	462.14	30.87	432.00	28.60	401.86	26.39	381.77	24.95
	62.00	56.0	522.42	33.12	492.28	30.93	462.14	28.79	432.00	26.70	401.86	24.66	381.77	23.34
	67.00	61.0	522.42	30.45	492.28	28.47	462.14	26.53	432.00	24.64	401.86	22.79	381.77	21.59
	72.00	66.0	522.42	28.16	492.28	26.36	462.14	24.59	432.00	22.86	401.86	21.18	381.77	20.08
	75.00	69.0	522.42	26.79	492.28	25.09	462.14	23.42	432.00	21.80	401.86	20.21	381.77	19.17
	-3.00	-4.0	237.87	40.93	236.77	41.42	236.41	41.86	236.41	42.51	235.92	42.94	234.95	41.01
	2.00	1.0	246.85	42.83	246.34	43.16	245.67	43.43	245.41	44.01	245.19	44.30	244.73	40.76
	7.00	6.0	263.25	40.45	262.84	40.46	262.09	40.47	261.79	40.48	261.61	40.49	261.25	40.50
	12.00	10.0	286.52	40.24	286.20	40.24	286.09	40.25	285.02	40.26	284.88	40.27	284.60	40.27
17.00	15.0	308.81	39.96	307.67	39.96	307.30	39.97	307.30	39.98	302.75	39.98	302.63	39.99	
22.00	20.0	324.15	39.47	324.15	39.06	324.15	38.66	322.65	38.27	306.14	37.89	294.14	37.64	
27.00	24.0	371.53	38.98	369.43	38.15	361.54	37.34	345.17	36.55	337.35	35.79	324.12	35.29	
32.00	29.0	426.19	38.49	412.45	37.24	394.05	36.02	373.31	34.84	357.21	33.69	339.35	32.94	
37.00	34.0	448.00	37.99	426.67	36.33	405.33	34.71	384.00	33.13	357.21	31.59	339.35	30.59	
42.00	38.0	448.00	37.50	426.67	35.42	405.33	33.39	384.00	31.42	357.21	29.50	339.35	28.24	
47.00	43.0	448.00	37.01	426.67	34.51	405.33	32.08	384.00	29.71	357.21	27.40	339.35	25.89	
52.00	47.0	448.00	34.11	426.67	31.84	405.33	29.63	384.00	27.48	357.21	25.37	339.35	24.00	
57.00	52.0	448.00	31.04	426.67	29.02	405.33	27.04	384.00	25.11	357.21	23.22	339.35	21.99	
62.00	56.0	448.00	28.94	426.67	27.08	405.33	25.26	384.00	23.48	357.21	21.75	339.35	20.61	
67.00	61.0	448.00	26.67	426.67	24.98	405.33	23.33	384.00	21.72	357.21	20.14	339.35	19.11	
72.00	66.0	448.00	24.72	426.67	23.18	405.33	21.67	384.00	20.20	357.21	18.75	339.35	17.81	
75.00	69.0	448.00	23.55	426.67	22.10	405.33	20.68	384.00	19.28	357.21	17.92	339.35	17.03	
-3.00	-4.0	235.50	40.97	235.50	40.98	234.53	41.00	234.04	41.01	234.04	41.02	234.04	41.03	
2.00	1.0	244.39	40.73	244.39	40.74	243.94	40.76	242.96	40.77	241.96	40.78	242.37	40.78	
7.00	6.0	260.62	40.47	260.62	40.48	260.26	40.49	259.17	40.50	255.07	40.51	254.02	40.51	
12.00	10.0	286.90	40.25	286.90	40.26	286.62	40.27	282.17	40.27	288.78	40.28	286.51	40.29	
17.00	15.0	320.16	39.97	318.97	39.98	312.27	39.98	298.08	39.99	281.78	39.99	279.40	40.00	
22.00	20.0	352.74	38.59	340.49	38.25	325.52	37.92	308.65	37.59	301.81	37.28	296.93	37.07	
27.00	24.0	385.48	37.21	367.08	36.52	349.27	35.85	331.16	35.20	312.56	34.56	296.93	34.14	
32.00	29.0	391.11	35.83	372.44	34.79	354.37	33.79	336.00	32.80	312.56	31.84	296.93	31.22	
37.00	34.0	391.11	34.44	372.44	33.07	354.37	31.72	336.00	30.41	312.56	29.13	296.93	28.29	
42.00	38.0	391.11	33.06	372.44	31.34	354.37	29.65	336.00	28.01	312.56	26.41	296.93	25.36	
47.00	43.0	391.11	31.68	372.44	29.61	354.37	27.59	336.00	25.61	312.56	23.69	296.93	22.43	
52.00	47.0	391.11	29.27	372.44	27.39	354.37	25.55	336.00	23.75	312.56	22.00	296.93	20.85	
57.00	52.0	391.11	26.71	372.44	25.03	354.37	23.38	336.00	21.77	312.56	20.19	296.93	19.16	
62.00	56.0	391.11	24.96	372.44	23.41	354.37	21.89	336.00	20.40	312.56	18.95	296.93	17.99	
67.00	61.0	391.11	23.06	372.44	21.65	354.37	20.27	336.00	18.92	312.56	17.59	296.93	16.72	
72.00	66.0	391.11	21.42	372.44	20.14	354.37	18.87	336.00	17.63	312.56	16.42	296.93	15.62	
75.00	69.0	391.11	20.44	372.44	19.23	354.37	18.03	336.00	16.86	312.56	15.72	296.93	14.96	
-3.00	-4.0	224.26	41.00	219.85	41.01	214.89	41.03	210.20	41.04	205.45	41.05	203.70	41.06	
2.00	1.0	243.26	40.76	236.48	40.77	229.29	40.78	222.31	40.79	215.02	40.80	212.32	40.80	
7.00	6.0	268.72	40.49	259.28	40.50	249.54	40.51	239.95	40.51	229.79	40.52	226.03	40.53	
12.00	10.0	295.44	40.27	283.12	40.28	270.65	40.28	258.25	40.29	245.00	40.29	240.09	40.30	
17.00	15.0	323.41	39.99	308.01	39.99	292.61	40.00	277.21	40.00	260.64	40.01	254.51	39.43	
22.00	20.0	332.14	37.76	316.33	37.49	300.51	37.22	288.00	36.95	267.91	36.70	254.51	36.04	
27.00	24.0	340.52	35.54	324.31	34.98	308.09	34.44	288.00	33.91	267.91	33.39	254.51	32.66	
32.00	29.0	340.52	33.31	324.31	32.48	308.09	31.66	288.00	30.86	267.91	30.08	254.51	29.28	
37.00	34.0	340.52	31.09	324.31	29.98	308.09	28.88	288.00	27.82	267.91	26.77	254.51	25.90	
42.00	38.0	340.52	28.87	324.31	27.47	308.09	26.11	288.00	24.77	267.91	23.47	254.51	22.52	
47.00	43.0	348.28	26.64	328.19	24.97	308.09	23.33	288.00	21.73	267.91	20.16	254.51	19.13	
52.00	47.0	348.28	24.69	328.19	23.16	308.09	21.67	288.00	20.20	267.91	18.77	254.51	17.83	
57.00	52.0	348.28	22.61	328.19	21.24	308.09	19.89	288.00	18.58	267.91	17.29	254.51	16.44	
62.00	56.0	348.28	21.18	328.19	19.91	308.09	18.67	288.00	17.46	267.91	16.26	254.51	15.48	
67.00	61.0	348.28	19.62	328.19	18.47	308.09	17.34	288.00	16.23	267.91	15.14	254.51	14.43	
72.00	66.0	348.28	18.28	328.19	17.23	308.09	16.19	288.00	15.17	267.91	14.17	254.51	13.52	
75.00	69.0	348.28	17.47	328.19	16.48	308.09	15.50	288.00	14.54	267.91	13.59	254.51	12.97	
-3.00	-4.0	212.12	41.04	207.32	41.05	201.99	41.06	196.92	41.07	192.00	41.08	182.40	41.09	
2.00	1.0	226.64	40.79	219.27	40.79	211.50	40.80	203.93	40.81	196.47	40.82	186.64	40.82	
7.00	6.0	246.97	40.51	236.70	40.52	226.14	40.52	215.73	40.53	205.40	40.54	195.13	40.54	

Connected Capacity Ratio	Outdoor air temp.		Indoor air temp. °F DB											
			61°F		64°F		67°F		70°F		73°F		75°F	
			Tc	PI	Tc	PI	Tc	PI	Tc	PI	Tc	PI	Tc50	PI
°F DB	°F WB	MBH	kW	MBH	kW	MBH	kW	MBH	kW	MBH	kW	MBH	kW	
50	12.00	10.0	268.17	40.29	254.77	40.29	241.22	40.30	227.76	40.30	214.33	40.31	203.61	39.03
	17.00	15.0	290.24	40.00	273.49	40.00	256.74	39.84	240.00	36.78	223.26	33.81	212.09	31.89
	22.00	20.0	290.23	36.98	273.49	36.77	256.74	36.42	240.00	33.66	223.26	30.98	212.09	29.24
	27.00	24.0	290.23	33.97	273.49	33.53	256.74	32.99	240.00	30.54	223.26	28.14	212.09	26.59
	32.00	29.0	290.23	30.95	273.49	30.30	256.74	29.57	240.00	27.41	223.26	25.31	212.09	23.94
	37.00	34.0	290.23	27.94	273.49	27.06	256.74	26.15	240.00	24.29	223.26	22.47	212.09	21.29
	42.00	38.0	290.23	24.92	273.49	23.83	256.74	22.73	240.00	21.16	223.26	19.64	212.09	18.64
	47.00	43.0	290.23	21.90	273.49	20.59	256.74	19.30	240.00	18.04	223.26	16.80	212.09	15.99
	52.00	47.0	290.23	20.36	273.49	19.16	256.74	17.99	240.00	16.83	223.26	15.70	212.09	14.95
	57.00	52.0	290.23	18.72	273.49	17.64	256.74	16.58	240.00	15.54	223.26	14.51	212.09	13.84
	62.00	56.0	290.23	17.59	273.49	16.59	256.74	15.61	240.00	14.64	223.26	13.70	212.09	13.07
	67.00	61.0	290.23	16.36	273.49	15.44	256.74	14.55	240.00	13.67	223.26	12.80	212.09	12.23
	72.00	66.0	290.23	15.29	273.49	14.45	256.74	13.63	240.00	12.82	223.26	12.02	212.09	11.49
	75.00	69.0	290.23	14.64	273.49	13.85	256.74	13.07	240.00	12.31	223.26	11.55	212.09	11.05

