



# POWERLOGIC® Energy Meter

(instrucciones en español: página 13)

## INTRODUCTION

### Applications

- Tenant submetering
- Performance contracting
- Cost allocation
- Real time power monitoring via local display or POWERLOGIC or control/data acquisition system

### Fast Trouble-free Installation

- Split-core CTs eliminate the need to remove electrical conductors
- Meter automatically detects phase reversal and eliminates concerns about CT orientation
- CTs and voltage terminals are color coded, making it easy to determine matching
- Low-output voltage CTs eliminate the need for shorting bars

### Exceptional Systems Accuracy

- $\pm 1\%$  system accuracy meets ANSI C12.16 metering accuracy standards



Figure 1: Energy Meter and CTs

The POWERLOGIC Energy Meter combines highly accurate industrial grade split-core CTs and precision microprocessor based metering electronics to provide exceptional metering accuracy and greatly reduce the total metering system installed cost. The accuracy of the Energy Meter is plus or minus one percent of reading from two percent (2 A with a 100 A CT) to one hundred percent of the current rating of the CT.

The meter display provides valuable installation diagnostics. If the meter is installed and the CTs and voltage leads are not properly matched, the display gives the installer feedback as to what is wrong. The POWERLOGIC Energy Meter comes in two different models: Basic and Extended Range.

The **Basic** model is a display meter designed for direct monitoring of 240/120 V and 208Y/120 V services and is ideal for stand-alone metering applications.

The **Extended Range** model provides an extended input voltage range (120–480 Vac, auto-ranging), a pulse output for easy integration with control systems, and a phase loss output to help protect equipment.

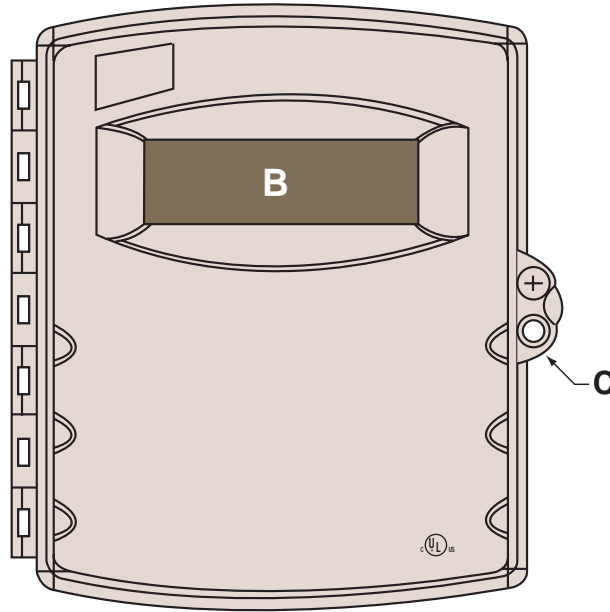
If equipped with a communications board and connected to a POWERLOGIC or MODBUS control/data acquisition system, the Energy Meter reports energy and power diagnostics variables such as kWh, kW, PF, kVAR, Volts, and amperes.

#### FCC PART 15 INFORMATION

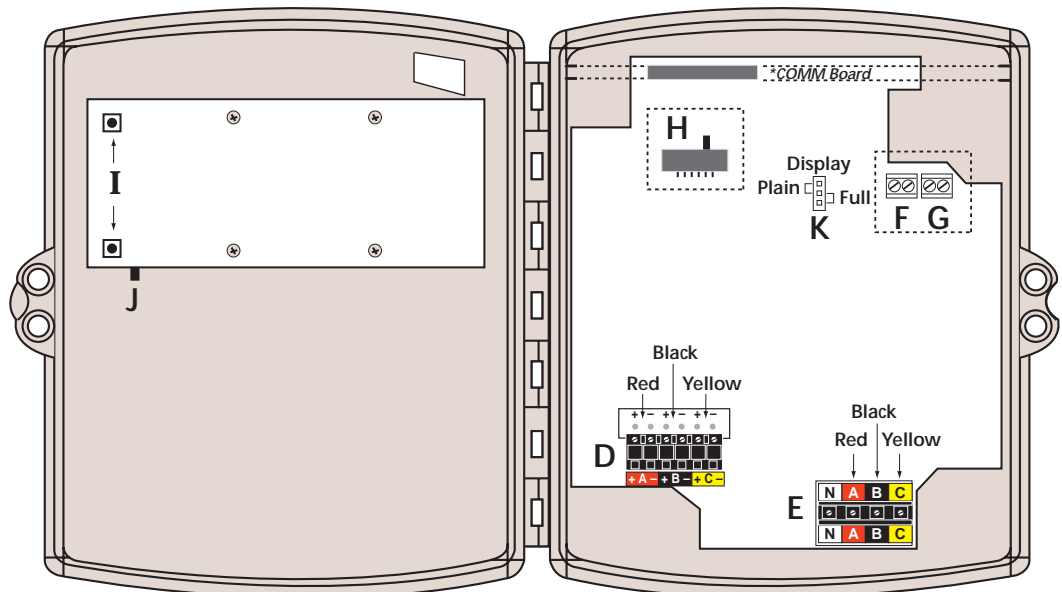
NOTE: This equipment has been tested by the manufacturer and found to comply with the limits for a class A digital device, pursuant to part 15 of the FCC Rules. These limits are designed to provide reasonable protection against harmful interference when the equipment is operated in a commercial environment. This equipment generates, uses, and can radiate radio frequency energy and, if not installed and used in accordance with the instruction manual, may cause harmful interference to radio communications. Operation of this equipment in a residential area is likely to cause harmful interference, in which case the user will be required to correct the interference at his own expense. Modifications to this product without the express authorization of Square D nullify this statement.

**DESCRIPTION**

- B** Large Digit Backlit Meter and diagnostics display
  - C** Security Hasp
  - D** CT Input Terminals. Ensure that voltage lead and CT are properly matched (e.g. red on red, page 5).
  - E** Voltage Input Terminals: Ensure that voltage lead and CT are properly matched (for example: red on red, see page 5).
  - F** \*Pulse Rate Terminal: Provides easy integration to existing control/data acquisition systems (see page 6).
  - G** \*Phase Loss Output Alarm: Trips if phase voltage drops 25% (see page 8).
  - H** \*Pulse Output Selection Switch: Set the pulse output at 0.1, 0.25, 0.50, or 1 pulse/kWh to match resolution requirements (see page 6).
  - I** Reset: To reset the kW max reading, press and hold both buttons at the same time for 5 seconds. To reset the kWh counter and the kW max, press and hold both buttons at the same time for 10 seconds (see page 8).
  - J** Backlight Enable Jumper: Remove this jumper to disable lighting (see page 6).
  - K** Plain/Full Display Data Jumper (see page 6).
- \*Features available on Extended Range model.



**Figure 2: Energy Meter display**



**Figure 3: Color match CTs and voltage leads**

## INSTALLATION

Installation should be performed by qualified personnel familiar with applicable codes and regulations. The meter enclosure is designed for indoor use only.

Install the Energy Meter within 20 feet (5m) of the desired CT location. CT wiring should be 18 AWG twisted leads with 600V insulation (UL 1015 or equivalent). To prevent tampering, secure the meter with a padlock or a similar device.

To install the Energy Meter, follow these steps:

1. Disconnect power and lock out all power sources during installation and configuration. **DO NOT CONNECT VOLTAGE INPUTS LIVE!**

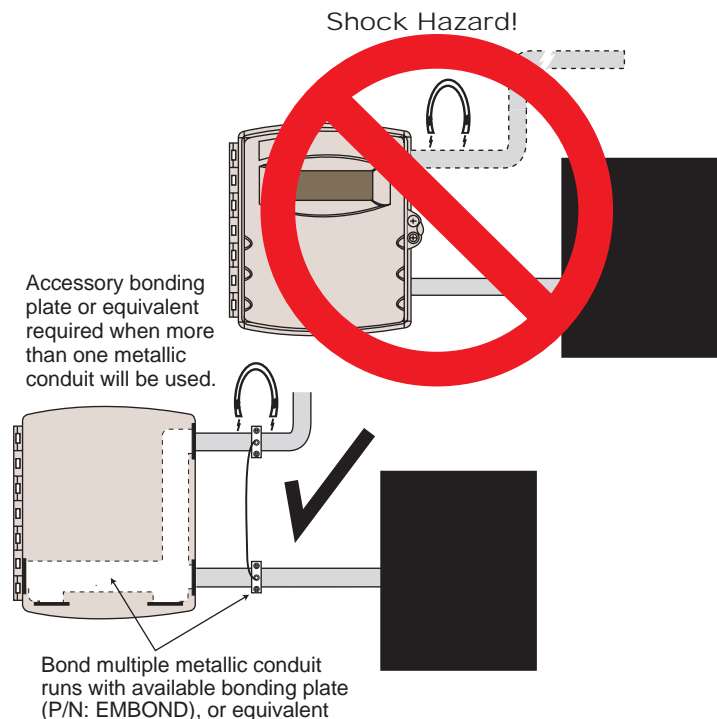
**⚠ DANGER**

**HAZARD OF ELECTRIC SHOCK, BURN, OR EXPLOSION**

- Turn off and lock out all power supplying the energy meter and the equipment to which it is installed before working on it.
- Always use a properly rated voltage sensing device to confirm that power is off.
- If the connections to the meter will be made through more than one metallic conduit, the conduits will require bonding to prevent the hazard of electric shock. A bonding plate is available (P/N: EMBOND), or an equivalent means may be used.

**Failure to observe this instruction will result in death, serious injury, or equipment damage.**

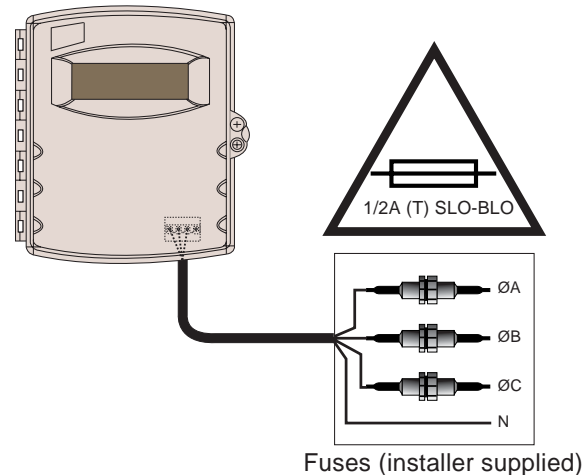
2. If the connections to the meter will be made through more than one metallic conduit, bond the conduits (see Figure 4) with a bonding plate (P/N: EMBOND) to prevent the hazard of electric shock.



**Figure 4: Bonding conduit with bonding plate**

3. If using a hub on rigid conduit, assemble the hub to the conduit before attaching to the meter.
4. Mount the meter box at an appropriate height.
5. Mount fuse block and fuses (Figure 5).

*NOTE: External fusing must be provided by installer, or purchased as an accessory (P/N: EMFP1, EMFP2, or EMFP3), to comply with local and national codes. Fuse rating must be adequate to the applied voltage, with a current rating of 1/2 A (T) SLO-BLO. To comply with the requirements of the IEC, and others, the fuse installation must be visible from the meter, or be provided with a lockout/tagout disconnect.*



**Figure 5: Fuse installation**

6. Attach CTs to conductors. The meter automatically detects phase reversal, so it is not necessary to orientate a particular side of the CTs toward the load. A mounting bracket may be desirable to meet local inspection requirements, and/or to maximize accuracy. Specified accuracy is achieved by passing the conductor through the geometric center of the CT window.

*NOTE: For service across the full ambient temperature/load range, 1600A CTs in contact with the conductor must be used with 90° C wire insulation, or be derated appropriately.*

7. Attach CT leads to appropriately colored CT input terminals (e.g., red lead to red terminal) as shown (see Figure 6 through Figure 8). Polarity is indicated, with the minus (-) terminals connected to neutral within the meter, but polarity is insignificant to the operation of the meter.
8. Connect voltage leads to phase conductors as shown (see Figure 6 through Figure 8). Connect leads from the colored voltage terminals to the power conductor with the matching CT (e.g., red CT lead to red terminal). Since the meter is powered from the monitored source (red and neutral terminals), it is important to connect the voltage leads to a circuit that is not normally switched off.

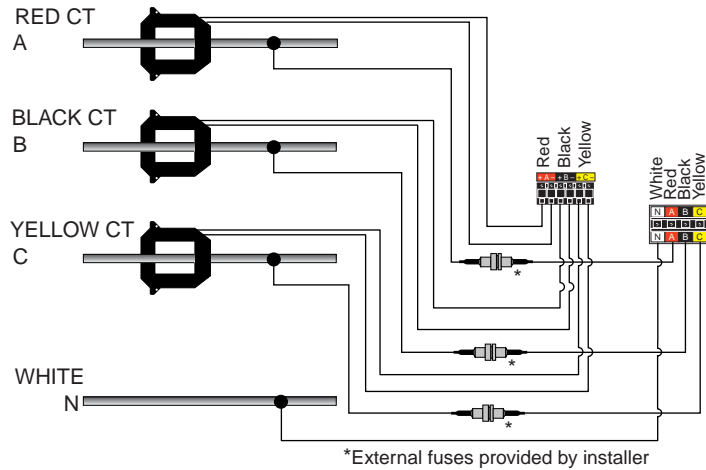


Figure 6: 3-phase, 4-wire installation

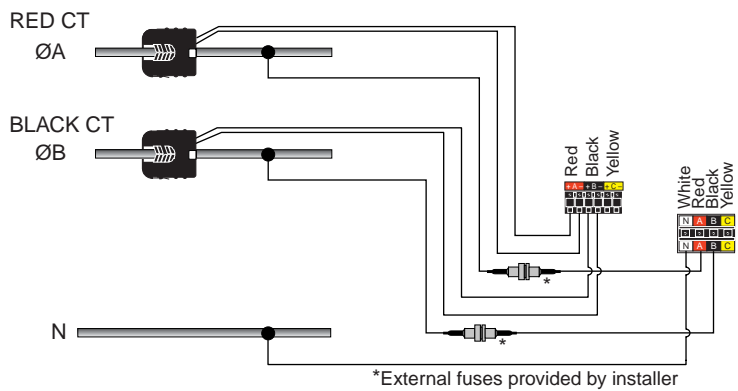


Figure 7: 1-phase, 3-wire installation

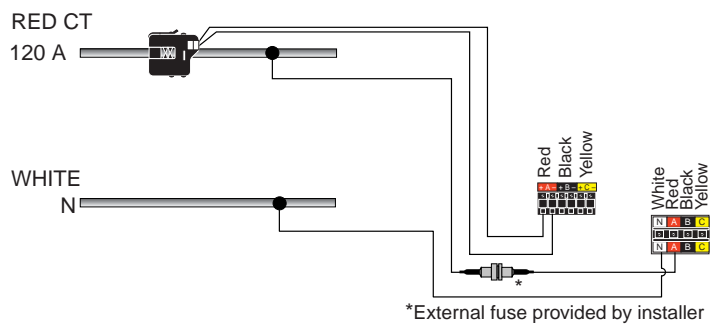


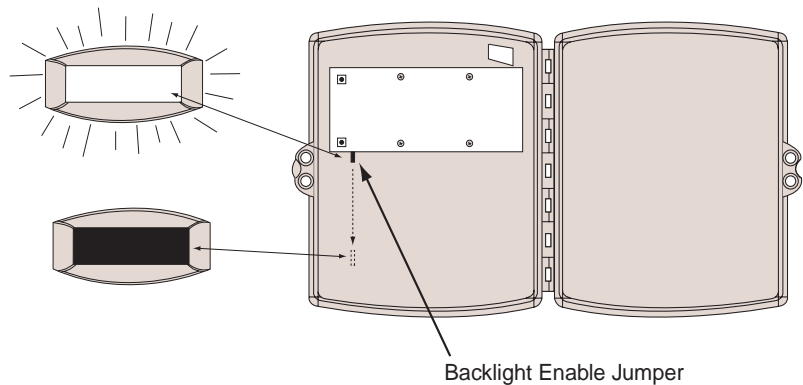
Figure 8: 1-phase, 2-wire installation

9. For the Extended Range model: To connect the energy consumption pulse output to a control/data acquisition system (DAQ), wire the pulse output (shown in Figure 3) to the controller. Output is an electronic N.O. "contact closure" rated for 24V AC/DC @ 100mA maximum. Ensure that

the installation method and insulation ratings comply with local and National Electrical Codes.

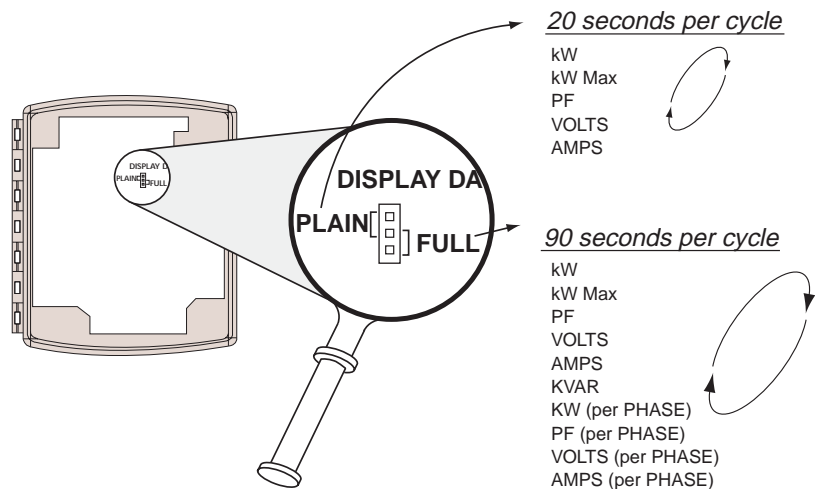
Set pulse rate slide switch: Set to desired output rate. Note that 0.1 is not valid for 1600A systems, and 0.1 and 0.25 are not available for 5000A systems. (Availability of 5000A Energy Meter is scheduled for 2001.)

10. For the Extended Range model: To connect the phase loss output to control/data acquisition system, wire the phase loss output (shown in Figure 3) to the controller/DAQ system. Output is an electronic N.C. "contact closure" rated for 24V ac/dc @ 100mA. maximum. Ensure that installation method and insulation ratings comply with local and National Electrical Codes.
11. Set the Backlight Enable Jumper to the desired operating condition (refer to Figure 9). The unit is shipped with the jumper in the enable mode. Remove the jumper to disable the LCD backlight.



**Figure 9: Enabling and disabling the LCD backlight**

12. Set the display data jumper to select between the "Plain" and "Full" settings. The "Plain" mode displays WHRS and cycles through five data elements (kW, kW Max, average power factor, line-to-line voltage, and amps) for four seconds each. The "Full" mode displays WHRS and cycles through all of the data available from the meter (all the above, plus kVAR, and data on individual phases), as shown in Figure 10. When the COMMS board is installed, kW Demand is also displayed.



**Figure 10: Setting the display data jumper**

## OPERATION and INFORMATION REPORTING

### Power-Up

On power-up, the meter displays the firmware revision and checks each connection to ensure that the CT and voltage leads have been properly matched. A warning message will indicate each phase that is found to be mismatched. (Note: the meter uses low Power Factor to determine improper phase matching.)

1. Apply power to the meter.
2. Check the meter display. The meter checks each phase to ensure that the phasing is correct. If the phasing is correct, the meter responds with OKAY. If the phasing of the CT and voltage leads are incorrect, the meter displays "ERROR CHECK WIRES RED\* CT RED\* VOLT LEAD SAME PHASE." \*appropriate color
3. Approximate check of power reading:  
Check actual current with amp clamp. Expected power is:  
 $kW = \text{Volts} \times \text{Amps} \times 1.732 \times \text{PF} \times 1000$  (for three phase)  
 $kW = \text{Volts} \times \text{Amps} \times \text{PF} \times 1000$  (for single phase)

### Information Displayed When Meter is Running

The energy meter continually reports kilowatt hours (kWH) or megawatt hours (MWH), depending on the the total energy accumulated.

A secondary display cycles through other parameters. There are two modes of operation, depending on the setting of the DISPLAY DATA jumper (J8) on the main circuit board:

PLAIN: kW, kW Max, PF, VOLTS, AMPS

FULL: kW, PF, VOLTS, AMPS, kVAR, kW-A\*\*, kW-B\*\*, kW-C\*\*\*,  
PF-A\*\*, PF-B\*\*, PF-C\*\*\*, VOLTS A-B\*\*\*, VOLTS B-C\*\*\*,  
VOLTS A-C\*\*\*, VOLTS A-N\*\*, VOLTS B-N\*\*, VOLTS C-N\*\*\*,  
AMPS-A\*\*, AMPS-B\*\*, AMPS-C\*\*\*, KWD\*

Every 10th rotation of parameters, the following parameters are also displayed: "PULSE-RATE\*\*\*\*, ADDRESS\*, BAUD-RATE\*, PARITY\*, and 2/4WIRE"\*

\*Only if Comms board installed

\*\*2 and 3-CT meters only

\*\*\*3-CT meters only

\*\*\*\* Extended Range model only

### Alarms

The following alarm messages remain on the lower display as long as the alarm condition persists:

#### **Phase Loss**

If the voltage of any phase is measured as less than 75% of the voltage on any other phase, the display will show PHASE LOSS and indicate the specific phase(s).

#### **Over Current**

If the measured current is greater than 110% of the rated CT range, the display will show AMPS OVER and indicate the specific phase(s).

#### **Over Voltage**

The error thresholds differ between the Basic and Extended Range meters:

Basic: Volts A-N, B-N or C-N greater than 132 Vac.

Extended Range: Volts A-C, B-C or A-C is greater than 528 Vac.

If an error is detected, the display will show VOLTS OVER and indicate the specific phase(s).

Meter/Display Configuration

**⚠ WARNING**

**HAZARD OF ELECTRIC SHOCK**

Only qualified personnel should open the unit. Avoid contact with components inside the right compartment while power is on.

**Failure to observe this instruction can result in death or serious injury.**

**kW Max Reset:** Press and hold the two pushbuttons on the back of the LCD display board at the same time for 5 seconds. Confirmation of kW max reset is indicated on the display by showing “kW Max,” “Status,” and “Reset.” If the optional COMMS board is present, the kW max reset is disabled. The kW demand, which is available with the optional COMMS board, is programmed and reset via network communications commands.

**kWh and kW Max Reset:** To reset both readings, press and hold the two push-buttons on the back of the LCD display board at the same time for 10 seconds. Confirmation of reset is indicated by showing “0 kWh.” If the optional COMMS board is present, the kW max reset is disabled. The kW demand, which is available with the optional COMMS board, is programmed and reset via communications.



## TROUBLESHOOTING

Problem	Check	Solution
No display readout	Voltage at voltage terminals	Check external fuses
	Is the input power to the meter switched?	We recommend that the voltage connections be made to a point ahead of commonly operated switches, motor controllers, etc., but not ahead of service disconnect device.
	Display cable	Assure that the ribbon cable from the main circuit board to the display has not been disconnected during installation.
	Wiring to product	Is A–N voltage other than 120 Vac on Basic model? Correct voltage input: Basic model must have 120 Vac applied between "N" and "A" voltage terminals. Extended Range model also requires a neutral connection.
	CT power terminals (holes on PC board)	Don't allow conductive materials (wire clippings, etc.) to short between the holes in the main board near the CT terminals, as these connect to the main power supply.
Too much (or too little) display data	Display data jumper	Set jumper to correct position (see Figure 10).
No pulse output (Extended Range model)	Supply voltage	The pulse output is a contact closure only — power must be supplied externally in the range of 5–24 V ac/dc, with a maximum load of 100mA.
	Signal timing	The pulse output provides a contact closure for 200ms at each pulse time. Be sure the controller will accept this signal as an input.
Pulse output wrong; display okay	Pulse rate switch	Set the pulse rate switch and controller to match. Pulse rate switch selects 0.1, 0.25, 0.5, or 1.0 kWh/pulse (see page 6).
Phase loss output (extended range model)	State of output	This output is normally closed (N.C.). Therefore, it is closed at all times when the meter is correctly powered.
	No output	This output is a contact closure only and requires an external power supply in the range of 5–24 V ac/dc, with a maximum load of 100mA.
Reported power too low	CT match to voltage terminals	The CTs must be mounted around the corresponding voltage terminal's power conductor (e.g., the red CT must be mounted to the power conductor connected to the red voltage terminal). The same is true for any other CT/voltage terminal pairs.  Check for phase loss.  Check fuses in voltage leads (field installed).
Reported power inaccurate	CT serial numbers	The CTs are calibrated to individual meters and must be connected to the meter with which they were calibrated to assure optimum accuracy.
"bAd" appears on the display	Pulse Rate Selection Switch	When an illegal pulse setting is selected, the KWH/PULSE segment is illuminated and "bAd" is shown on the lower display (only on H8163).

## SPECIFICATIONS

### General

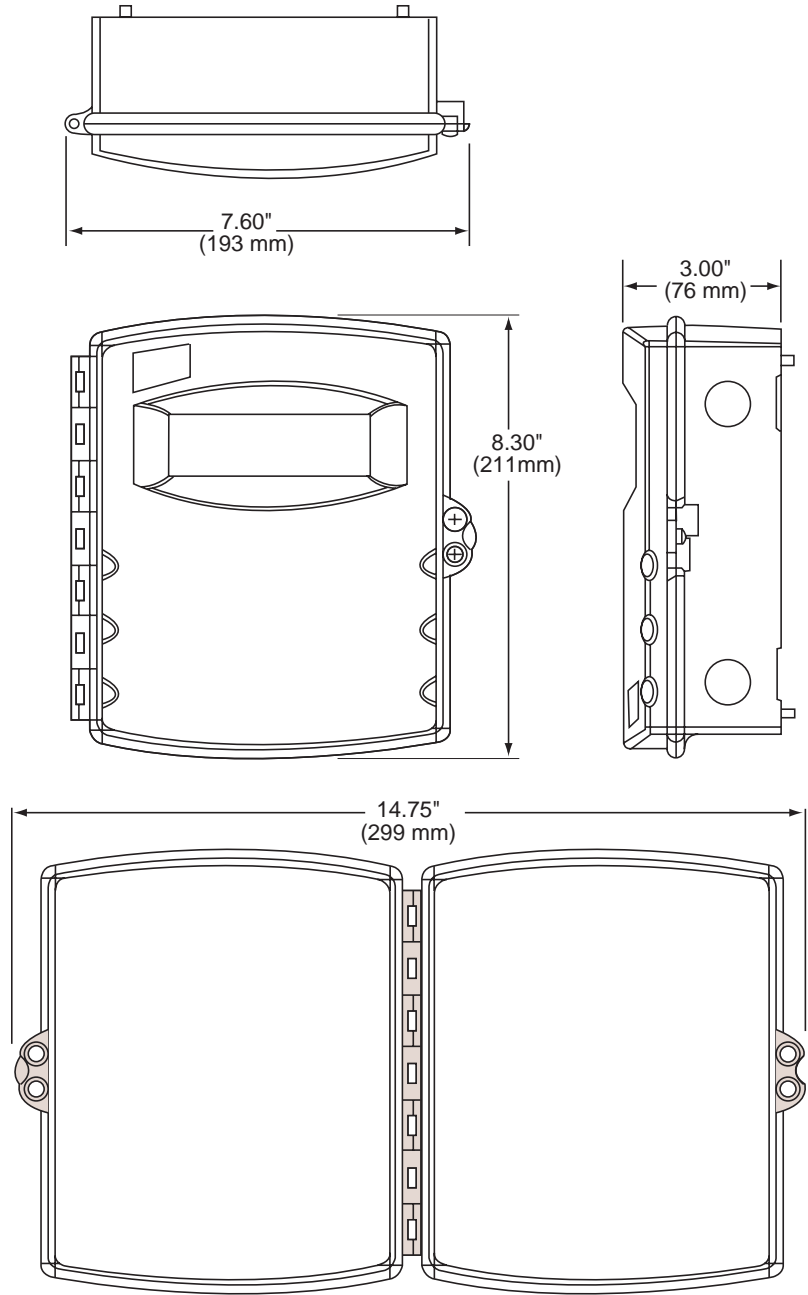
LCD display .....	Physical 1.2 in. by 3.8 in., back lit with green LEDs
CT case isolation.....	600 Vac, IEC 1010 Cat. III/2
Sample rate .....	1280 Hz.
Internal isolation .....	2500 Vac Basic, 320 Vac Extended Range
Operating temperature range .....	0 to 50°C (<95% RH, non-condensing)
Storage temperature range .....	-40°C to 70°C
Systems accuracy .....	±1% of reading from 2% to 100% of the CT current rating...accomplished by matching the CTs with a meter and calibrating them as a system
Power source.....	Basic model: Line powered 120 Vac (line to neutral)  Extended Range model: Line powered 120 Vac through 277 Vac (line to neutral)
Voltage tolerance.....	75–110% of nominal voltage (line-to-neutral)
Services .....	Basic model: 240/120 Vac, 208Y/120 Vac  Extended Range model: 1Ø2W, 1Ø3W, 3Ø4W 120–480 Vac
Frequency.....	50/60 Hz.

### COMMS Board Option

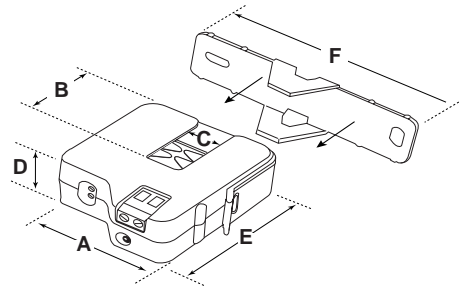
#### MODBUS Communications

Output type .....	MODBUS RTU
Connection .....	2-wire or 4-wire
Baud rate.....	2400, 4800, 9600, or 19200 baud
Parity .....	None, Odd, or Even
Address .....	1–63
Data Output .....	Refer to Energy Meter COMMS Board Instruction Bulletin

**DIMENSIONS**

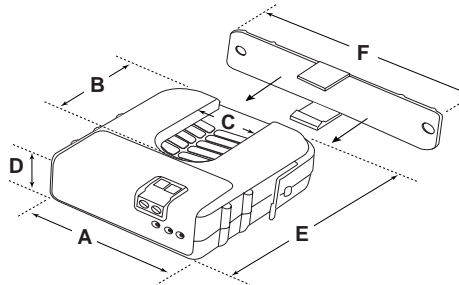


**Figure 11: Energy Meter Dimensions**



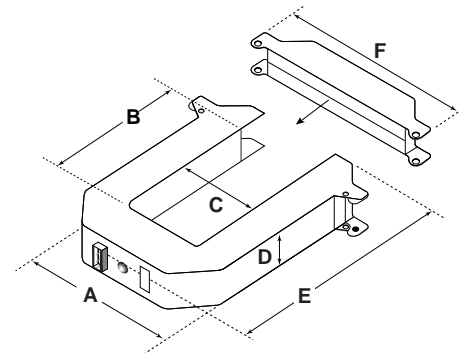
**Size 0**

A =	2.0"	(55 mm)
B =	1.28"	(33 mm)
C =	.518"	(13 mm)
D =	.915"	(23 mm)
E =	2.34"	(60 mm)
F =	3.52"	(90 mm)



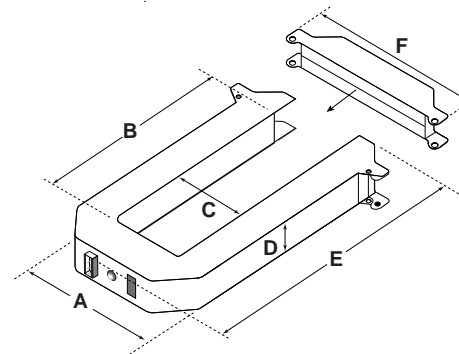
**Size 1**

A =	2.58"	(81 mm)
B =	1.90"	(48 mm)
C =	.90"	(23 mm)
D =	1.04"	(26 mm)
E =	2.90"	(74 mm)
F =	3.52"	(90 mm)



**Size 3**

A =	4.90"	(124 mm)
B =	2.89"	(73 mm)
C =	2.45"	(62 mm)
D =	1.13"	(29 mm)
E =	5.57"	(141 mm)
F =	5.91"	(150 mm)



**Size 4**

A =	4.90"	(124 mm)
B =	5.50"	(140 mm)
C =	2.45"	(62 mm)
D =	1.13"	(29 mm)
E =	8.13"	(207 mm)
F =	5.92"	(150 mm)

Figure 12: CT Dimensions



# POWERLOGIC® Energy Meter

## INTRODUCCIÓN

### Aplicaciones

- Submediciones en instalaciones arrendadas
- Reducción de consumo
- Asignación de costos
- Monitoreo de la potencia en tiempo real a través de una pantalla local, de POWERLOGIC o de un sistema de control y obtención de datos

### Instalación rápida y sencilla

- Los TC de núcleo dividido eliminan la necesidad de retirar los conductores eléctricos
- El medidor detecta automáticamente la inversión de fases para que la orientación del TI no sea un problema
- Tanto los TC como los terminales de intensidad utilizan códigos de color para facilitar las conexiones
- Los TC con salidas de baja tensión eliminan la necesidad de barras de cortocircuito

### Precisión excepcional en todos los sistemas

- El porcentaje de precisión de  $\pm 1\%$  conseguido por los sistemas satisface los estándares ANSI C12.16 para la precisión en las mediciones.

#### INFORMACIÓN SOBRE LA PARTE 15 DE LA FCC

**NOTA:** El fabricante de este equipo lo ha probado y ha determinado que su funcionamiento cumple con los límites establecidos para dispositivos digitales de clase A, de acuerdo con lo establecido en la parte 15 de las reglas de la FCC (Comisión federal de comunicaciones). Estos límites fueron establecidos para proporcionar una protección razonable contra interferencias nocivas cuando el equipo se utiliza en entornos comerciales. Este equipo genera, utiliza y puede radiar energía de radiofrecuencia y si no se instala y utiliza de acuerdo con el manual de instrucciones, puede ocasionar interferencias nocivas a las comunicaciones de radio. La utilización de este equipo en áreas residenciales probablemente ocasionará interferencias nocivas. En estos casos, el usuario deberá corregir dicha interferencia por su propia cuenta y riesgo. Cualquier modificación realizada en este producto sin la autorización expresa de Square D supone la anulación de esta nota informativa.



**Figure 1: Medidor Energy Meter y transformadores de corriente**

El medidor Energy Meter de POWERLOGIC combina transformadores de corriente (TC) de alta precisión, grado industrial y núcleo dividido con dispositivos electrónicos de medición basados en microprocesadores para crear un sistema que proporciona mediciones excepcionalmente precisas a la vez que reduce significativamente el costo total del sistemas de medición instalado. La precisión del medidor Energy Meter es de  $\pm 1\%$  de la lectura a partir del dos por ciento (2 A con un TC de 100 A) hasta el cien por ciento del valor nominal de la intensidad del TC.

La pantalla del medidor muestra información importante para la instalación. Ofrece información que permite identificar errores en las conexiones de los conectores de tensión y del TC. El medidor Energy Meter de POWERLOGIC se comercializa en dos modelos distintos: básico y el rango extendido.

El modelo básico es un medidor con pantalla diseñado para la monitorización directa de los servicios 240/120 V~ y 208Y/120 V~. Es idóneo para aplicaciones de medición autónomas.

En el modelo rango extendido el rango de tensiones de entrada es más amplio (120–480 V~, auto ajustable). Este modelo ofrece salidas en pulsos para una integración sencilla con los sistemas de control y salidas de pérdida de fase para colaborar en la protección del equipo.

Si utiliza una tarjeta de comunicaciones y está conectado a un sistema de control/obtención de datos POWERLOGIC o MODBUS, el medidor Energy Meter ofrecerá información de diagnóstico relativa a las variables de potencia y energía como, por ejemplo, kWh, kW, FP, kVAR, volts y amperes.

## DESCRIPCIÓN

- B** Pantalla retroiluminada con dígitos de gran tamaño: Para la consulta de datos de medición y diagnóstico
- C** Cierre de seguridad
- D** Terminales de entrada para el TC. Garantizan la correcta conexión entre los cables conductores de tensión y el TC (p. ej. cable rojo con cable rojo, consulte la página 18).
- E** Terminales de entrada de tensión: Garantizan la correcta conexión entre los cables conductores de tensión y el TC (p. ej. cable rojo con cable rojo, consulte la página 18).
- F** \*Terminal de velocidad de pulso: Facilita la integración con los sistemas actuales de obtención y control de datos (consulte la página 17).
- G** \*Alarma de salida de pérdida de fase: Se activa si la tensión de las fases cae más de un 25% (consulte la página 21).
- H** \*Interruptor de selección de salida de los pulsos: Permite establecer el valor de salida de los pulsos en 0,1; 0,25; 0,50 o 1 pulso/kWh para satisfacer las necesidades de resolución (consulte la página 19).
- I** Botones de restablecimiento: Para restablecer el valor de lectura de kW máx, pulse los dos botones simultáneamente durante 5 segundos. Para restablecer los contadores de kWh y kW máx, pulse los dos botones simultáneamente durante 10 segundos (consulte la página 23).
- J** Puente de activación de la retroiluminación: Retire este puente para desactivar la iluminación (consulte la página 19).
- K** Puente de selección entre datos abreviados o completos (consulte la página 21).

\*Estas funciones sólo están disponibles en el modelo rango extendido

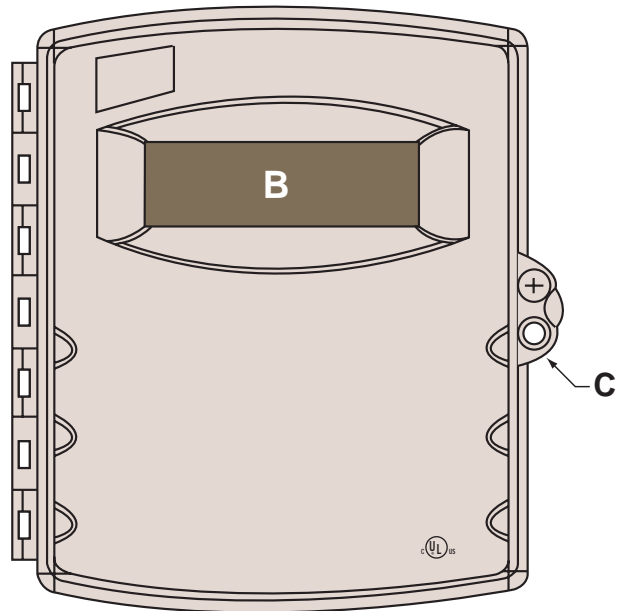


Figure 2: Pantalla del medidor Energy Meter

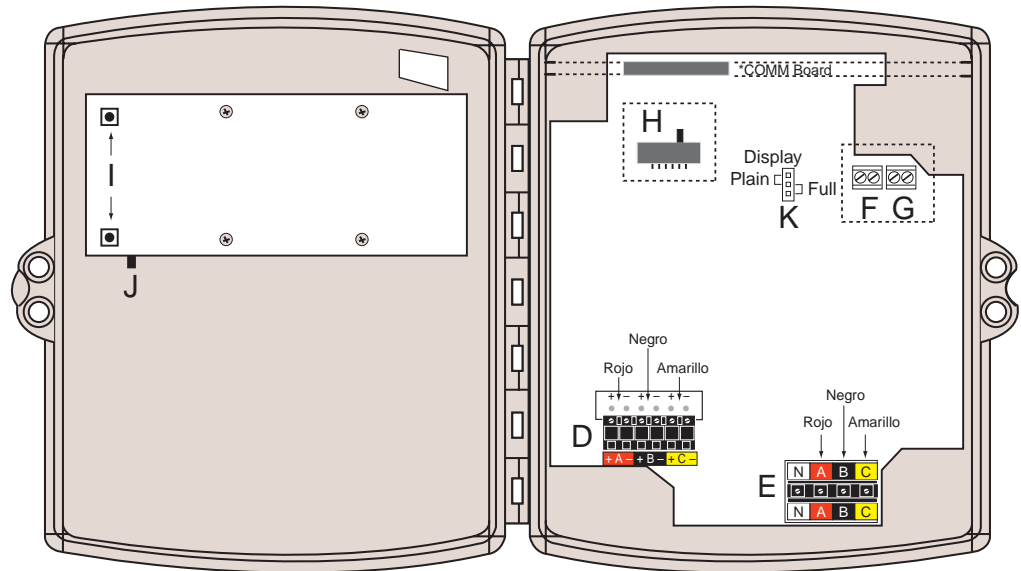


Figure 3: Conectores de tensión y TI con códigos de colores

## INSTALACION

La instalación la debe realizar personal debidamente capacitado y con conocimientos relativos a los códigos y normativas aplicables. El envoltorio del medidor está diseñado para su uso en interiores exclusivamente.

Instale el medidor Energy Meter a no más de 5 m (20 pies) de la ubicación deseada para el TC. El cableado del TC se debe realizar con cables conductores trenzados de 0,823 mm<sup>2</sup> (18 AWG) con aislamiento de 600 V (UL 1015 o aislamiento equivalente). Para evitar manipulaciones no deseadas, utilice un candado o dispositivo equivalente para cerrar el medidor.

Para instalar el medidor Energy Meter, siga los pasos que se detallan a continuación:

1. Desconecte la alimentación y bloquee todas las fuentes de energía durante la instalación y configuración. ¡NO CONECTE ENTRADAS DE TENSIÓN ENERGIZADAS!

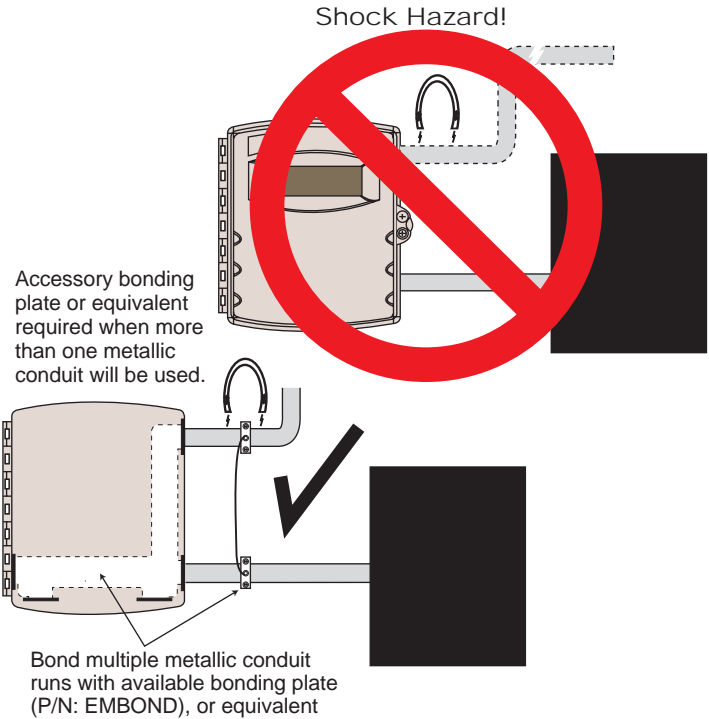
### **⚠ PELIGRO**

#### **RIESGO DE DESCARGA ELÉCTRICA, QUEMADURAS O EXPLOSIÓN**

- Desconecte y bloquee todas las fuentes de energía del medidor y del equipo en el que está instalado antes de iniciar el trabajo.
- Utilice siempre un dispositivo sensible con tensión adecuada para confirmar que el equipo está totalmente desconectado.
- Si las conexiones del medidor utilizan más de un conduit metálico, los conduit utilizados se deben conectar entre sí para evitar el riesgo de descargas eléctricas. Utilice la placa de unión disponible (N/P: EMBOND) u otro mecanismo equivalente.

**El incumplimiento de esta instrucción puede provocar la muerte, lesiones graves o daños en el equipo.**

2. Si las conexiones del medidor utilizan más de un conduit metálico, conecte los conduit (consulte la figura4) mediante una placa de unión (N/P: EMBOND) para evitar el riesgo de descargas eléctricas.

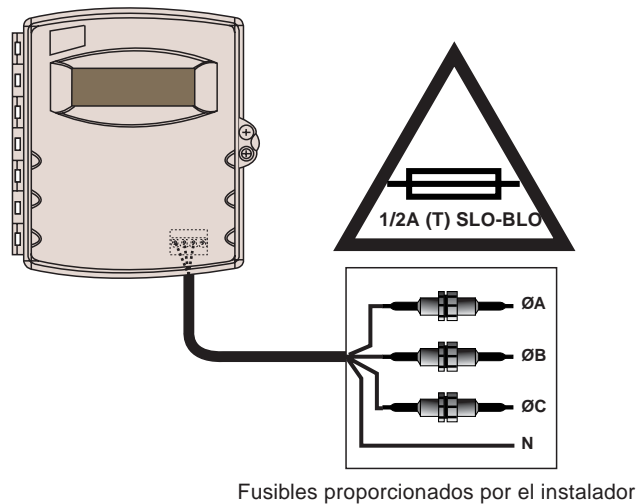


**Figure 4: Conexión de los conduit metálicos mediante una placa de unión**

3. Si utiliza un receptáculo en un conducto rígido, ensamble el receptáculo al conduit antes de acoplarlo al medidor.
4. Monte la caja del medidor a una altura apropiada.
5. Monte el bloque de fusibles y los fusibles (figura5).

*NOTE: Para disponer de fusibles externos, diríjase al instalador o bien adquiéralos como accesorio adicional (N/P: EMFP1, EMFP2 o EMFP3) de modo que la instalación cumpla con la normativa local y nacional. El valor nominal de los fusibles debe ser el adecuado para la tensión aplicada, con un valor nominal de corriente de 1/2 A (T) SLO-BLO. Para cumplir con la normativa de IEC y otras, la instalación de los fusibles debe ser visible desde el medidor o debe incluir un mecanismo de bloqueo/señalización.*





**Figure 5: Instalación de los fusibles**

6. Acople los TC a los conductores. El medidor detecta automáticamente la inversión de las fases, por lo tanto no es necesario que un extremo particular de los TC esté orientado hacia la carga. La utilización de un soporte de montaje es recomendable para cumplir con las normativas locales, si es el caso, y para aumentar la precisión. La precisión especificada se alcanza sólo si el conductor pasa por el centro geométrico de la ventana del TC.

*NOTE: Para que el sistema funcione correctamente en cualquier condición de los rangos de temperatura ambiente y carga, los TC 1600A que estén en contacto con el conductor deben utilizar aislamiento de 90° C, o su rango de funcionamiento debe reducirse de manera adecuada.*

7. Conecte los conductores del TC a los terminales de entrada del TC adecuados en función del código de colores (p. ej. el conductor rojo a la terminal roja) como se muestra (consulte de la figura6 a la figura8). La polaridad está señalada, las terminales negativas (-) están conectados al neutro dentro del medidor; sin embargo, la polaridad no afecta al correcto funcionamiento del medidor.
8. Conecte los conductores de tensión a los conductores de fase como se muestra (consulte de la figura6 a la figura8). Conecte los conductores de las terminales de tensión con código de colores al conductor de potencia con el TC correspondiente (por ej. conductor rojo del TC a la terminal roja). Como la energía para el medidor proviene de la fuente monitoreada (los terminales rojo y neutro), es importante que los conductores de tensión se conecten a un circuito constantemente energizado.

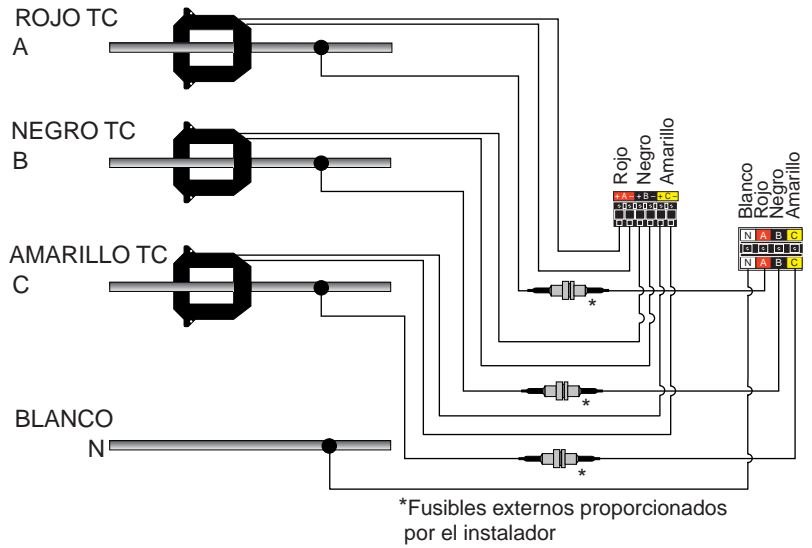


Figure 6: Instalación con 3 fases y 4 hilos

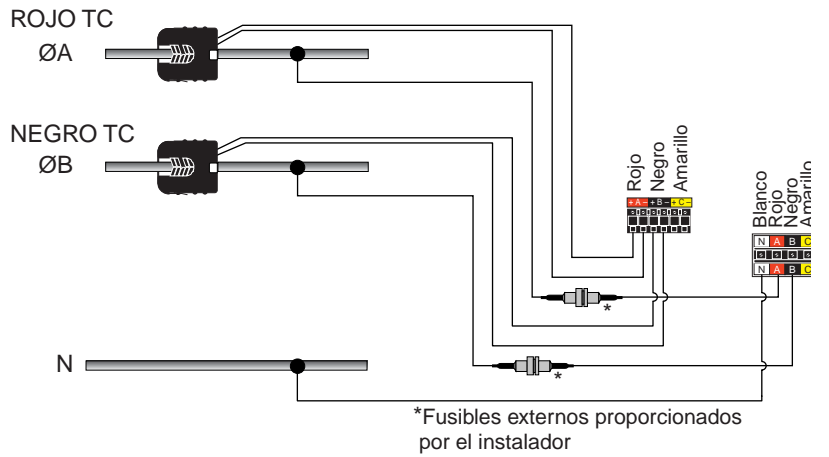


Figure 7: Instalación con 1 fase y 3 hilos

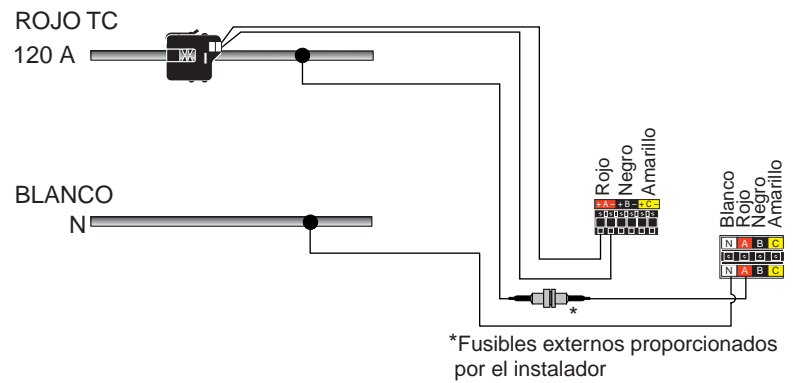


Figure 8: Instalación con 1 fase y 2 hilos

9. En el modelo rango extendido: para conectar la salida de pulsos del consumo de energía a un sistema de adquisición y control de datos (DAQ), conecte la salida de pulsos (consulte la figura3) al controlador. La salida es un "cierre de contacto" N.O. (N.A. - Normalmente abierto) electrónico calibrado para tensiones de 24 V~/ ---- @ 100 mA. Asegúrese de que tanto el método de instalación como las características del aislamiento cumplen con la normativa eléctrica local y nacional.  
  
Instale un interruptor deslizante para controlar la velocidad de pulsos: Establezca la velocidad de pulsos deseada. Tenga en cuenta que el valor 0,1 no es válido en sistemas 1600A y que los valores 0,1 y 0,25 no están disponibles para los sistemas 5000A. (La disponibilidad de un medidor Energy Meter 5000A está programada para el 2001.)
10. En el modelo rango extendido: para conectar la salida de pérdida de fase al sistema de adquisición y control de datos, conecte la salida de pérdida de fase (consulte la figura3) al sistema DAQ/controlador. La salida es un "cierre de contacto" N.C. (N.C. - Normalmente cerrado) electrónico calibrado para tensiones de 24 V~/ ---- @ 100 mA. Asegúrese de que tanto el método de instalación como las características del aislamiento cumplen con la normativa eléctrica local y nacional.
11. Seleccione la posición deseada del puente de activación de la retroiluminación (consulte la figura9). La unidad se suministra con el puente en posición de retroiluminación activada. Retire el puente si desea desactivar la retroiluminación de la pantalla de cristal líquido (LCD).

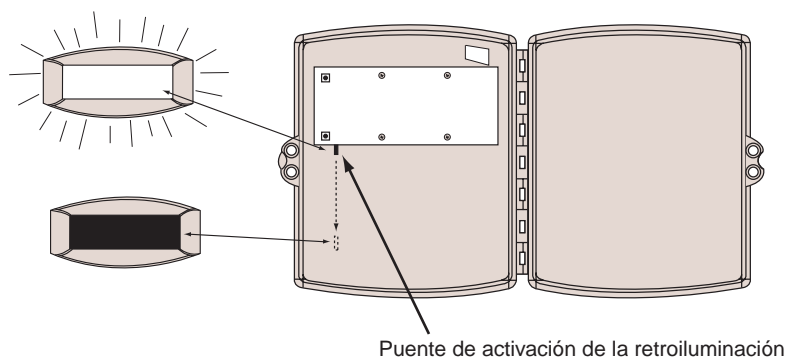


Figure 9: Activación y desactivación de la retroiluminación de la LCD

12. Seleccione la posición del puente de selección de datos entre "plain" (abreviados) o "full" (completos). El modo "plain" incluye WHRS y muestra, de modo cíclico, en intervalos de cuatro segundos, cinco elementos de datos (kW, kW máx, factor de potencia promedio, tensión de línea a línea y amperes). El modo "full" incluye WHRS y muestra, de modo cíclico, todos los datos disponibles del medidor (además de los mencionados anteriormente incluye kVAR y datos relativos a cada una de las fases), como se muestra en la figura 10. Si el modelo cuenta con una tarjeta de comunicaciones, entre los datos proporcionados también se incluye la demanda de kW.

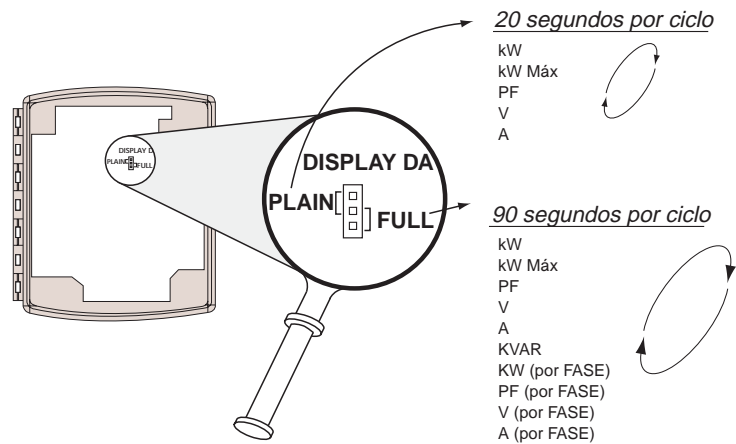


Figure 10: Selección de la posición del puente de datos

## INFORMES DE FUNCIONAMIENTO Y DE SUMINISTRO DE DATOS

### Encendido

Al encender el sistema, el medidor muestra la revisión del firmware y comprueba todas las conexiones para garantizar que los conectores de tensión y los de los TC están correctamente conectados. El medidor emitirá un mensaje de advertencia por cada fase que detecte con errores de conexión. (Nota: el medidor utiliza un factor de potencia bajo para detectar los errores en la conexión de las fases.)

1. Establezca el suministro eléctrico al medidor.
2. Compruebe la pantalla del medidor. El medidor comprueba cada fase para garantizar que su conexión es correcta. Si las fases están correctamente conectadas, el medidor muestra el mensaje OKAY. Si la conexión entre los conductores de los TC y los de tensión no es correcta, el medidor muestra el mensaje "ERROR CHECK WIRES RED\* CT RED\* VOLT LEAD SAME PHASE" (Error, compruebe que los hilos del TC rojo\* y del conductor de tensión rojo\* están conectados a la misma fase). \*o color apropiado
3. Comprobación aproximada de la lectura de potencia:  
Utilice una abrazadera de amperes para comprobar la intensidad real. La potencia esperada es:  
 $kW = \text{Voltios} \times \text{Amperes} \times 1,732 \times FP \times 1000$  (para las tres fases)  
 $kW = \text{Voltios} \times \text{Amperes} \times FP \times 1000$  (para una fase única)

### Información visualizada cuando el medidor está en ejecución

El medidor de potencia muestra de forma continua los valores de kilowatts-hora (kWH) o megawatts-hora (MWH) en función del total de energía acumulada.

Una pantalla secundaria muestra otros parámetros de forma cíclica. El medidor puede funcionar en dos modos distintos, en función de la posición del puente de selección de datos (J8) en la tarjeta del circuito principal:

PLAIN (datos abreviados): kW, kW máx, FP, V, A

FULL (datos completos): kW, FP, V, A, kVAR, kW-R\*\*, kW-S\*\*, kW-T\*\*\*, FP-R\*\*, FP-S\*\*, FP-T\*\*\*, V R-S\*\*\*, V S-T\*\*\*, V R-T\*\*\*, V R-N\*\*, V S-N\*\*, V T-N\*\*\*, A-R\*\*, A-S\*\*, A-T\*\*\*, kWD\*

Después de cada décima rotación de los parámetros, se incluirán también los siguientes parámetros: "VELOCIDAD DE LOS PULSOS\*\*\*\*, DIRECCIÓN\*, VELOCIDAD EN BAUDIOS\*, PARIDAD\* y 2/ 4 HILOS"\*

\*Sólo si el sistema incluye una tarjeta de comunicaciones

\*\*Sólo en medidores con 2 y 3 TC

\*\*\*Sólo en medidores con 3 TC

\*\*\*\* Sólo en los modelos rango extendidos

## **Alarmas**

Los siguientes mensajes de alarma no desaparecen de la pantalla inferior mientras permanezca la condición causante de la alarma:

### **Pérdida de fase**

Si la tensión de alguna de las fases es inferior al 75% de la tensión presente en cualquiera de las demás fases, la pantalla muestra la alarma de PHASE LOSS (pérdida de fase) e indica la fase o fases que sufren esta condición.

### **Sobreintensidad**

Si la intensidad medida es superior al 110% del rango nominal del TC, la pantalla muestra la alarma AMPS OVER (sobreintensidad) e indica la fase o fases que sufren esta condición.

### **Sobretensión**

Los umbrales de error utilizados por los dos tipos de medidor, básico y rango extendido, no son iguales:

Básico: si la tensión entre R-N, S-N o T-N es superior a 132 V~.

Rango extendido: si la tensión entre R-S, S-T o T-T es superior a 528 V~. Si se detecta un error, la pantalla muestra la alarma VOLTS OVER (sobretensión) e indica la fase o fases que sufren esta condición.

Configuración del medidor y de  
la información en pantalla

**⚠ AVERTENCIA**

**RIESGO DE DESCARGA ELÉCTRICA, QUEMADURAS O  
EXPLOSIÓN**

Sólo personal calificado debe abrir la unidad. Evite el contacto con componentes dentro del compartimiento derecho cuando el equipo esté energizado.

**El incumplimiento de estas instrucciones puede provocar la muerte o lesiones graves**

**Restablecimiento de los KW máx:** Pulse simultáneamente durante 5 segundos los dos botones situados en la parte posterior de la tarjeta de la pantalla de cristal líquido. La pantalla muestra "kW Max," "Status" y "Reset" (kW máx, estado y restablecer) para indicar que se ha restablecido el valor de kW máx. Si el medidor cuenta con una tarjeta de comunicaciones opcional, la opción de restablecer el valor de kW máx no está disponible. La demanda de kW, disponible a través de la tarjeta de comunicaciones opcional, puede programarse y restablecerse mediante comandos de comunicación.

**Restablecimiento de kWh y kW máx:** Para restablecer ambas lecturas, pulse simultáneamente durante 10 segundos los dos botones situados en la parte posterior de la tarjeta de la pantalla de cristal líquido. Para confirmar que los valores se han restablecido, la pantalla muestra "0 kWh." Si el medidor cuenta con una tarjeta de comunicaciones opcional, la posibilidad de restablecer el valor de kW máx no está disponible. La demanda de kW, disponible a través de la tarjeta de comunicaciones opcional, puede programarse y restablecerse mediante comunicación.

## RESOLUCION DE PROBLEMAS

Problema	Comprobación	Solución
No aparece ningún texto en la pantalla	<p>Tensión en los terminales de tensión</p> <p>¿Está el interruptor de suministro eléctrico del medidor en posición de encendido?</p> <p>Cable de la pantalla</p> <p>Conexión al producto</p> <p>Terminales de potencia del TC (perforaciones en la tarjeta PC)</p>	<p>Compruebe los fusibles externos</p> <p>Recomendamos que las conexiones de tensión se realicen antes que los interruptores, controladores de motor y otros interruptores de uso habitual, pero después del dispositivo de desconexión total del servicio.</p> <p>Compruebe que el conector de cable plano entre la tarjeta del circuito principal y la pantalla no se haya desconectado durante la instalación.</p> <p>¿La tensión entre R-N en el modelo básico es de 120 V~? Corrija la entrada de tensión: El modelo básico utiliza un flujo de 120 V~ entre los terminales de tensión "N" y "R." El modelo rango extendido también requiere un conexiones neutro.</p> <p>No permita cortocircuitos ocasionados por materiales conductores (pinzas de cables, etc.) en las perforaciones de la tarjeta principal cerca de los terminales del TC; éstas se conectan al suministro principal de potencia.</p>
Demasiados (o pocos) datos en la pantalla	Puente de selección de datos en pantalla	Sitúe el puente en la posición adecuada (consulte la figura 10).
No hay salida de pulsos (modelo rango extendido)	<p>Tensión de la fuente de alimentación</p> <p>Temporización de las señales</p>	<p>La salida de pulsos es un cierre de contacto exclusivamente — la potencia se debe suministrar mediante una fuente externa con una tensión de entre 5–24 V~/ --- y una carga máxima de 100 mA.</p> <p>La salida de pulsos proporciona el cierre de contacto durante 200 ms en cada pulso. Asegúrese de que el controlador puede detectar esta señal como una entrada.</p>
Error en la salida de pulsos, pero la pantalla es correcta	Interruptor de velocidad de pulsos	Ajuste los valores en el interruptor de velocidad de pulsos para que coincida con el valor del controlador. El interruptor de velocidad de pulsos puede seleccionar entre 0,1; 0,25; 0,5 o 1,0 kWh/pulso (consulte la página 6).
Salida de pérdida de fase (modelo rango extendido)	<p>Estado de la salida</p> <p>No hay salida</p>	<p>Normalmente esta salida está cerrada (N.C. - Normalmente cerrada). Por lo tanto, si el medidor recibe la cantidad de potencia correcta, esta salida permanece cerrada en todo momento.</p> <p>Esta salida es un cierre de contacto exclusivamente, requiere una fuente de alimentación externa en el rango de 5–24 V~/ --- con una carga máxima de 100 mA.</p>
Nivel de potencia detectado demasiado bajo	Correspondencia entre los terminales de tensión y los TC	<p>Los TC se deben montar alrededor del conductor de potencia de su terminal de tensión correspondiente (p. ej. el TC rojo se debe montar en el conductor de potencia que está conectado al terminal de tensión rojo). Todas las parejas de TC y terminales de tensión se deben conectar de la misma manera.</p> <p>Compruebe que no hay pérdidas de fase.</p> <p>Compruebe el estado de los fusibles en los conectores de tensión (campo instalado).</p>
La potencia detectada no es adecuada	Números de serie de los TC	La calibración de cada TC se realiza para un medidor específico; cada TC se debe conectar a su medidor correspondiente para garantizar una precisión óptima.



## CARACTERÍSTICAS TÉCNICAS

### General

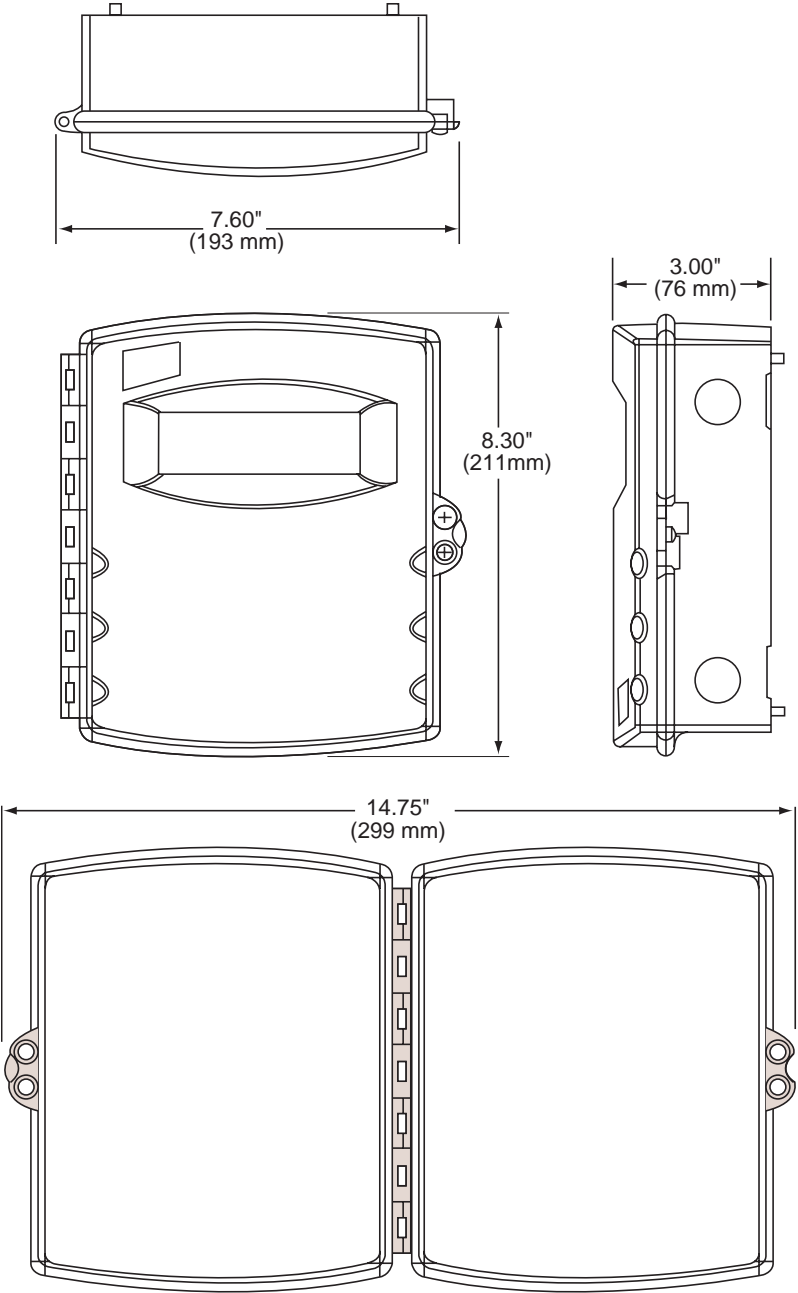
Pantalla de cristal líquido (LCD).....	Física de 3,05 cm por 9,65 cm, retroiluminada con diodos emisores de luz (LED) verdes
Aislamiento de la caja del TC .....	600 V~, IEC 1010 Cat. III/2
Velocidad de muestreo.....	1280 Hz.
Aislamiento interno .....	2500 V~ Básico, 320 V~ Rango Extendido
Rango de temperaturas de funcionamiento.....	De 0 a 50°C (<95% humedad relativa, sin condensación)
Rango de temperaturas de almacenamiento.....	De -40°C a 70°C
Precisión de los sistemas .....	±1% de la lectura del 2% al 100% del valor nominal de la intensidad del TC; esta precisión se consigue emparejando cada TC con un medidor específico y calibrando los juntos como si de un sistema único se tratara
Fuente de alimentación.....	Modelo básico: Suministro de línea 120 V~ (de línea a neutro) Modelo rango extendido: Suministro de línea de 120 a 277 Vac (de línea a neutro)
Suministro de línea 120 V~ (de línea a neutro)	
Tolerancia de tensión .....	75–110% de la tensión nominal. (de línea a neutro)
Servicios .....	Modelo básico: 240/120 V~, 208Y/120 V~ Modelo rango extendido: 1Ø2W, 1Ø3W, 3Ø4W 120–480 V~
Frecuencia .....	50/60 Hz.

### Opción de tarjeta de comunicaciones

#### Comunicaciones Modbus

Tipo de salida.....	Modbus RTU
Conexión .....	de 2 ó 4 hilos
Velocidad en baudios .....	2400, 4800, 9600 ó 19200 baudios
Paridad.....	Ninguna, impar o par
Dirección .....	1–63
Salida de datos .....	Consulte el boletín de instrucciones de la tarjeta de comunicaciones del medidor Energy Meter

**DIMENSIONES**



**Figure 11: Dimensiones del medidor Energy Meter**

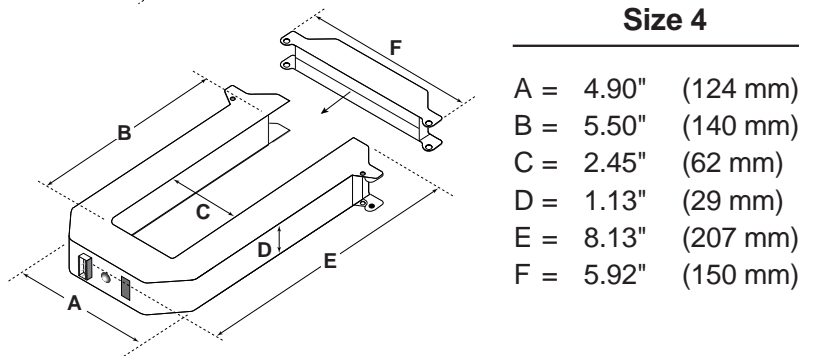
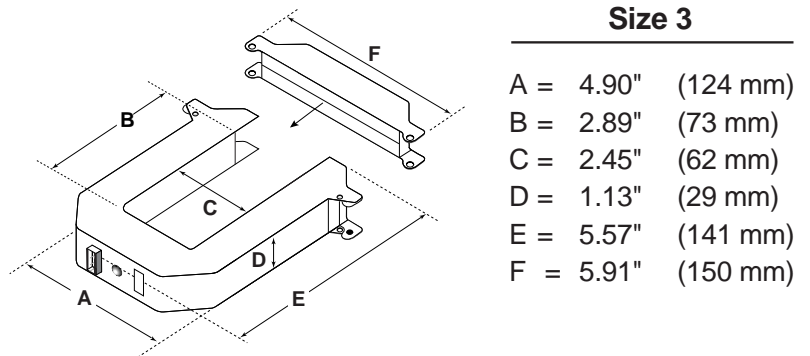
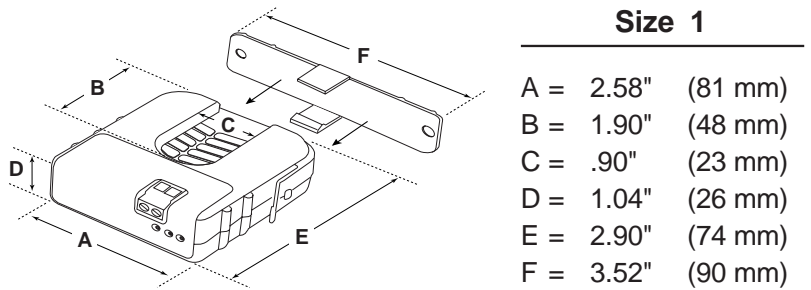
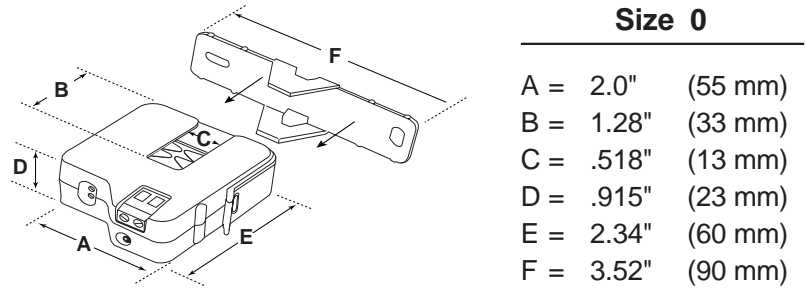


Figure 12: Dimensiones del TC

**POWERLOGIC<sup>®</sup> Energy Meter**

Electrical equipment should be serviced only by qualified maintenance personnel. No responsibility is assumed by Square D for any consequences arising out of the use of this material.

63230-216-201/A5 10/2004 Class 3000  
Replaces 63230-216-201/A4 (4/2001).  
PBG 1K  
© 2004 Schneider Electric  
All Rights Reserved.

Solamente el personal de mantenimiento especializado deberá prestar servicios de mantenimiento al equipo eléctrico. La Compañía no asume responsabilidad alguna por las consecuencias emergentes de la utilización de este material.

Importado en México por:  
Schneider Electric México, S.A. de C.V.  
Calz. J. Rojo Gómez 1121-A  
Col. Gpe. del Moral 09300 México, D.F.  
Tel. 5804-5000

63230-216-201/A5 10/2004 Clase 3000  
Reemplaza 63230-216-201/A4 (4/2001).  
© 2004 Schneider Electric  
Reservados todos los derechos.