

Job Name:

System Reference:

Date:

**FEATURES**

- Single modules up to 20 tons with the ability to combine single modules for systems up to 30 tons
- 208/230V, 3-Phase, 60Hz and 460V, 3-Phase, 60Hz options
- Designed for closed water loops
- Dual heat recovery - from water loop and refrigerant circuit
- 0-10V output signal to modulate water flow for compliance with energy codes
- Features Variable Evaporating Temperature (VET) technology, which enables the outdoor unit to raise the target evaporation temperature based on the difference between set point and return air temperature, saving energy.
- Water flow can be stopped while the unit is in a thermo-off state, saving on pump energy consumption. For twinned systems, both modules must be thermo-off to stop water flow.
- Enhanced water-side heat exchanger design for improved efficiency and reduced risk of clogging
- Self-cooling cabinet design
- Inlet water temperature range: 23-113° F
- Max. Total Refrigerant Piping Length: up to 2,460 feet based on model
- Connects to CITY MULTI® indoor units; controlled via CITY MULTI® Controls Network (CMCN)
- External finish: Acrylic-painted steel
- Stack multiple units on a field-supplied rack to take advantage of vertical space when available
- Extended 10-year parts and compressor warranty available

ACCESSORIES

- Joint Kit (for details see Pipe Accessories Submittal)
- BC Controller (for details see BC Controller Submittal)

SPECIFICATIONS: PQRV-P240YLMU-A1

Specifications		Model Name	
Unit Type		PQRV-P240YLMU-A1	
Nominal Cooling Capacity (460V)		Btu/h	240,000
Nominal Heating Capacity (460V)		Btu/h	270,000
Operating Temperature Range	Cooling (Indoor)	W.B.	59~75°F (15~24°C)
	Heating (Indoor)	D.B.	59~81°F (15~27°C)
Operating Water Temperature Range	Circulating water	°F	50~113°F (10~45°C)
	Circulating water	°F	50~113°F (10~45°C)
External dimension H x W x D		In.	57-1/8 x 34-11/16 x 21-11/16
		mm	1,450 x 880 x 550
Net weight		lbs. (kg)	574 (260)
External finish		Galvanized steel sheets	
Electrical Power Requirements	Voltage, Phase, Hertz		460V, 3-phase, 60Hz
Minimum Circuit Ampacity		A	36
Maximum Overcurrent Protection		A	60
Circulating Water (quality must meet regulations)			
Flow Rate		G/min (gpm)	50.7
		L/s	3.2
Pressure Drop		Ft.	15.1
		psi	6.53
Operation Volume Range		G/min (gpm)	26.4 ~ 63.4
		L/m	100 ~ 240
Maximum Water Pressure		MPa	2
		psi	290
Water-source Connection for Inlet and Outlet		In.	1-1/2 NPT
Piping Diameter (Brazed)	Liquid (High Pressure)	In. (mm)	7/8 (22.2) (1-1/8 (28.58) for the part that exceeds 65 m)
	Gas (Low Pressure)	In. (mm)	1-3/8 (34.93)
Max. Total Refrigerant Line Length		Ft.	2,460
Max. Refrigerant Line Length (Between ODU & IDU)		Ft.	541
Max. Control Wiring Length		Ft.	1,640
Indoor Unit	Total capacity		50~150% of heat source unit capacity
	Model/Quantity		P06~P96/2~50 (Connectable branch pipe number is max. 48.)
Sound pressure level (measured in anechoic room)		dB(A)	58
Compressor Operating Range		12% - 100%	
Compressor Type x Quantity		Inverter scroll hermetic compressor x 1	
Motor output		kW	16.1
Lubricant		MEL32	
Refrigerant		R410A x 25 lbs. + 13 oz. (11.7 kg)	

SPECIFICATIONS: PQRY-P240YLMU-A1

Specifications		Model Name
Unit Type		PQRY-P240YLMU-A1
Protection Devices	High pressure protection	High pressure sensor, High pressure switch at 4.15 MPa (601 psi)
	Inverter circuit	Over-heat protection, Over-current protection
	Compressor	Over-heat protection
AHRI Ratings (Ducted/Non-Ducted)	EER	10.8 / 11.0
	IEER	18.8 / 21.2
	COP	4.52 / 5.05
	SCHE	19.7 / 19.7

Notes:

DIMENSIONS: PQRY-P240YLMU-A1

Note1. Seal around the water piping, the refrigerant piping, the power supply, and the control wiring and plug unused knockout holes with putty, etc., to prevent moisture or dirt from entering cabinet.

Note2. At the time of product shipment, the front side piping serves as the local drainage connection.

When connecting on the rear side, please remove the rear side plug sealing corks, and attach on the front side. Ensure there is no leak in piping system once connected.

Note3. See Fig. A and Fig. B for service clearances.

Note4. If piping is installed in front of the unit, provide clearances as shown in Fig. A and Fig. B.

Note5. Environmental condition for installation: -20~40°C(DB) (-4~104°F) for indoor installation.

Note6. In case the temperature around the heat source unit has possibility to drop under 0°C(32°F), be careful for the following point to prevent the pipe burst by the water pipe freeze-up.

• Circulate the water all the time even if heat source unit is not in operation and provide glycol for freeze protection.

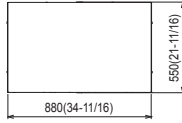
• Drain the water from inside of the heat source unit when the heat source unit will not operate for a long term.

Note7. Ensure that the drain piping is downward with a pitch of more than 1/100.

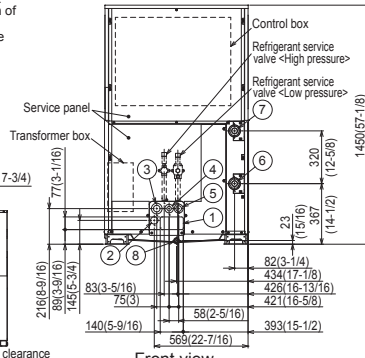
Note8. At brazing of pipes, wrap the refrigerant service valve with wet cloth and keep the temperature of refrigerant service valve under 120°C(248°F).

Unit : mm(in)

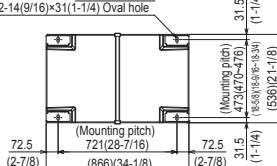
- <Accessories>
- Refrigerant (high pressure) conn. pipe.....1pc. (P216/P240 ; Packaged in the accessory kit)
 - Refrigerant (low pressure) conn. pipe.....1pc. (P216/P240 ; Packaged in the accessory kit)
 - Water stopper.....1pc. (P216/P240 ; Packaged in the accessory kit)
 - Sealing material for water stopper.....1pc. (P216/P240 ; Packaged in the accessory kit)
 - Sealing material for field piping (high pressure, low pressure).....1pc. each (P216/P240 ; Packaged in the accessory kit)
 - Sealing material for drain socket.....1pc. (P216/P240 ; Packaged in the accessory kit)
 - Pipe cover for low pressure.....1pc. (P216/P240 ; Packaged in the accessory kit)
 - Sealing material for base leg (two types).....4pcs. each (P216/P240 ; Packaged in the accessory kit)
 - Sealing material for panel.....1pc. (P216/P240 ; Packaged in the accessory kit)



Top view



Front view



Bottom view

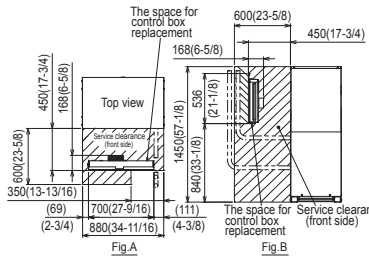


Fig.A

Fig.B

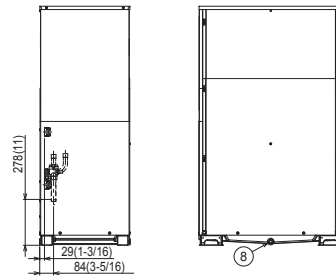
Connecting pipe specifications

Model	Refrigerant pipe		Service valve	
	High pressure	Low pressure	High pressure	Low pressure
PQRY-P216YLMU-A1	ø22.2 Braze (7/8) *1 *2	ø28.58 Braze (1-1/8) *1	ø25.4 (1)	ø28.58 (1-1/8)
PQRY-P240YLMU-A1	ø22.2 Braze (7/8) *1 *2	ø34.93 Braze (1-3/8) *1	ø25.4 (1)	ø28.58 (1-1/8)

*1. Connected by using the connecting pipes and that are supplied.

*2. When the piping length is 65 m or longer, use the ø28.58(1-1/8) pipe for the part that exceeds 65 m.

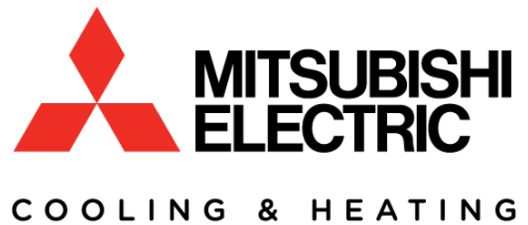
Top of unit casing not suitable for supporting system modules stacked above - field framing required for stacking modules of additional systems



Right side view

Back view

NO	Usage	Specifications
①	Front through hole	140 x 77 Knockout hole (5-9/16) (3-1/16)
②	For pipes	Front through hole (Uses wheel trimming kit (optional parts) is mounted.) ø45 Knockout hole (1-13/16)
③	For wires	Front through hole ø62.7 or ø34.5 Knockout hole (2-1/2) (1-3/8)
④	For transmission cables	Front through hole ø34 Knockout hole (1-3/4) (7/8)
⑤	Water pipe inlet	ø43.7 or ø22.2 Knockout hole (1-3/8)
⑥	Water pipe outlet	NPT1-1/2 Screw
⑦	Drain pipe	NPT1-1/2 Screw
⑧		Rc3/4 Screw



1340 Satellite Boulevard, Suwanee, GA 30024
Toll Free: 800-433-4822 www.mehvac.com



FORM# PQRY-P240YLMU-A1 - 201710

Specifications are subject to change without notice.

Copyright © 2017 Mitsubishi Electric US, Inc.