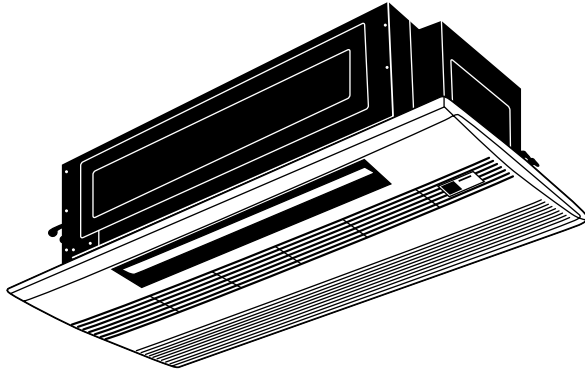


Job Name: _____

Drawing Reference: _____ Schedule No. _____



External FinishGrille: 6.4Y 8.9/0.4

Dimensions

Inches9-1/16" h x 31-31/32" w x 15-9/16" d
 mm230 h x 812 w x 395 d

Grille

Inches1-3/16" h x 39-3/8" w x 18-17/32" d
 mm30 h x 1000 w x 470 d

Net Weight

Unit31 lb / 14 kg
 Grille7 lb / 3 kg

Coil TypeCross fin

Fan

Type x QuantityLine flow fan x 1
 Airflow Rate (Low-Mid1-Mid2-High) .. 258 -283 -304 -328 CFM
 Motor
 TypeDC brushless motor
 Output0.028 kW

Air FilterPP honeycomb

Refrigerant Pipe Dimensions

R410A or R22
 Liquid1/4" / 6.35 mm flare
 Gas1/2" / 12.7 mm flare

Drainpipe DimensionO.D. 1-1/32" / 26 mm

Sound Level (Low-Mid1-Mid2-High)32-34 -36 -37 dB (A)

GENERAL FEATURES

- R410A refrigerant
- Sizes P12 and up compatible with R22 refrigerant
- Lightweight and compact design
- Four-speed fan settings
- Multiple sizes up to 15,000 Btu/h
- Built-in condensate lift mechanism
- Outside air capability
- Quiet operation: 27 ~ 39 dB(A)

SPECIFICATIONS

Capacity*

Cooling12,000 Btu/h
 Heating13,500 Btu/h

Power

Power Source208 / 230V, 1 phase, 60Hz
 Power Consumption

Cooling0.04 kW
 Heating0.04 kW

Current

Cooling0.21 A
 Heating0.21 A

Minimum Circuit Ampacity (MCA)0.26 A

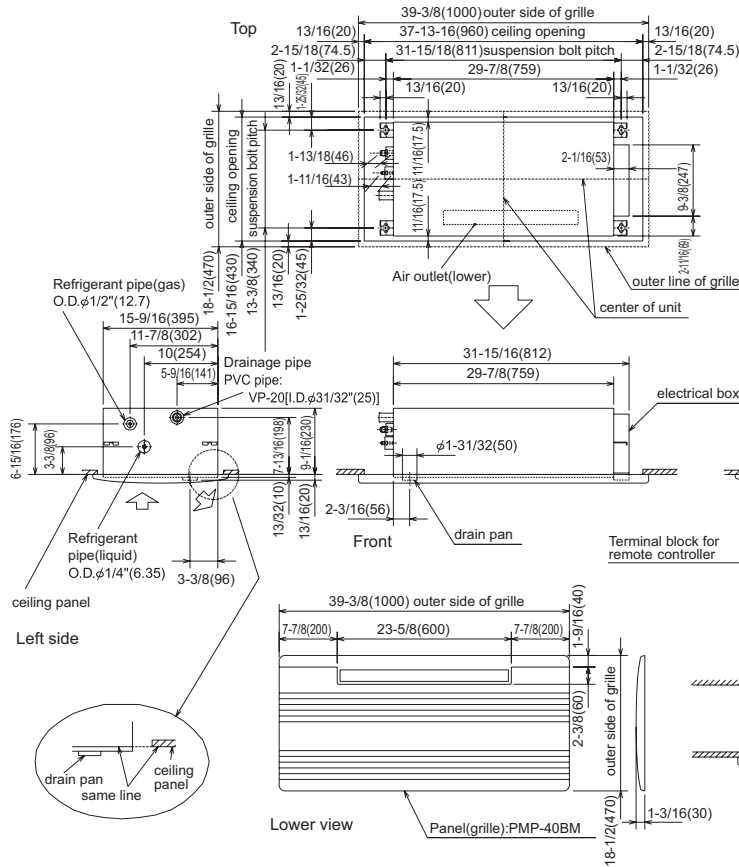
Maximum Overcurrent Protection (MOCP)15 A

* Cooling / Heating capacity indicated the maximum value at operation under the following conditions:
 Cooling: Indoor 80°F (27°C) DB / 67°F (19°C) WB, Outdoor 95°F (35°C) DB
 Heating: Indoor 70°F (21°C) DB, Outdoor 47°F (8°C) DB / 43°F (6°C) WB

** Ventilation air: providing sufficient ventilation air is an important part of every building design. ASHRAE Standard 62 provides the minimum ventilation air requirements. Also check local codes.

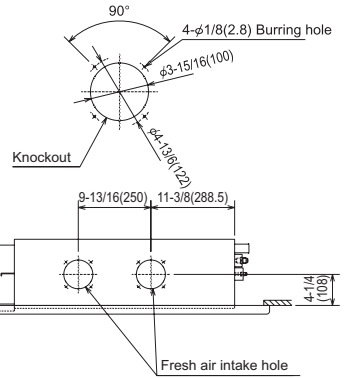
Notes:

Model: PMFY-P12NBMU-E – DIMENSIONS

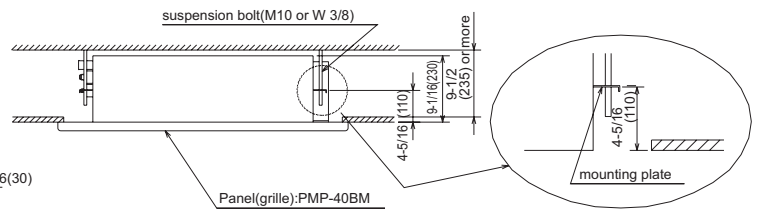


Refrigerant piping	Pipe cover	O.D. ϕ 1-11/16" (ϕ 43)
	Liquid pipe	O.D. ϕ 1/4" (ϕ 6.35)
	Gas pipe	O.D. ϕ 1/2" (ϕ 12.7)
Drainage piping	PVC pipe: VP-20 [I.D. ϕ 31/32" (ϕ 25)]	

Detail drawing of fresh air intake hole



Installation space required around indoor unit



Mitsubishi Electric Air Conditioning & Refrigeration Systems Works acquired ISO 9001 certification under Series 9000 of the International Standard Organization (ISO) based on a review of quality warranties for the production of refrigeration and air conditioning equipment.

ISO Authorization System
 The ISO 9000 series is a plant authorization system relating to quality warranties as stipulated by the ISO. ISO 9001 certifies quality warranties based on the "design, development, production, installation and auxiliary services" for products built at an authorized plant.



Mitsubishi Electric Air Conditioning & Refrigeration Systems Works acquired environmental management system standard ISO 14001 certification.

The ISO 14000 series is a set of standards applying to environmental protection set by the International Standard Organization (ISO).



HVAC Advanced Products Division
 Mitsubishi Electric & Electronics USA, Inc.

3400 Lawrenceville Suwanee Rd.
 Suwanee, GA 30024

Tele: 678-376-2900 • Fax: 800-889-9904
 Toll Free: 800-433-4822 (#4)

www.mehvac.com