

Job Name: \_\_\_\_\_ Location: \_\_\_\_\_

Drawing Reference: \_\_\_\_\_ Schedule No. \_\_\_\_\_

System No.: \_\_\_\_\_ Date: \_\_\_\_\_

### GENERAL FEATURES



- R410A refrigerant
- Four sizes from 15,000 to 36,000 Btu/h
- Powerful airflow (CFM)
- Adjustable airflow angle
- Four-speed fan setting
- Ventilation air intake supported
- Quiet operation: 29-44 dB(A)
- Long-life filter is included as standard; medium-efficiency filter available as option
- Optional Wireless Remote Controller Receiver Kit is available with or without i-see Sensor
- i-see Sensor available as stand-alone option

### SPECIFICATIONS

**Capacity\***  
 Cooling.....30,000 Btu/h  
 Heating.....34,000 Btu/h

**Power**  
 Power Source.....208 / 230V, 1-phase, 60Hz

**Power Consumption**  
 Cooling.....0.09 kW  
 Heating.....0.09 kW

**Current**  
 Cooling.....0.83 A  
 Heating.....0.83 A  
 Minimum Circuit Ampacity (MCA).....1.22 A  
 Maximum Overcurrent Protection (MOCP) Fuse.....15 A

**External Finish**.....Polyester painted steel sheet  
 Munsell No. 6.4Y 8.9 / 0.4

**External Dimensions**  
 Inches.....9-1/16 H x 63 W x 26-3/4 D  
 mm.....230 H x 1,600 W x 680 D

**Net Weight**  
 Unit.....79 lbs. / 36 kg

**Coil Type**.....Cross Fin  
 (Aluminum Plate Fin and Copper Tube)

**Fan**  
 Type x Quantity.....Sirocco Fan x 4  
 Airflow Rate (Low-Mid1-Mid2-High).....703 - 777 - 883 - 989 CFM  
**Motor**  
 Type.....Direct-driven DC Motor  
 Output.....0.160 kW

**Air Filter**.....Polypropylene Honeycomb

**Refrigerant Piping Dimensions**  
 Liquid (High Pressure).....3/8" / 9.52 mm (Flare)  
 Gas (Low Pressure).....5/8" / 15.88 mm (Flare)

**Drainpipe Dimension**.....O.D. 1" / 26 mm

**Sound Pressure Levels**  
 Low-Mid1-Mid2-High.....34 - 37 - 40 - 43 dB(A)

### OPTIONS

- Medium-efficiency Filter (MERV 8).....PAC-SH90KF-E
- i-see Sensor.....PAC-SH91MK-E
- Wireless Remote Controller Receiver Kit.....PAR-SL93B-E
- Wireless Remote Controller Receiver Kit  
 with i-see Sensor.....PAR-SA92MW-E
- Drain Pump Kit.....PAC-SH84DM-E
- External Heat Adapter.....PAC-YU25HT-F
- CN24 Relay Kit.....CN24RELAY-KIT-CM

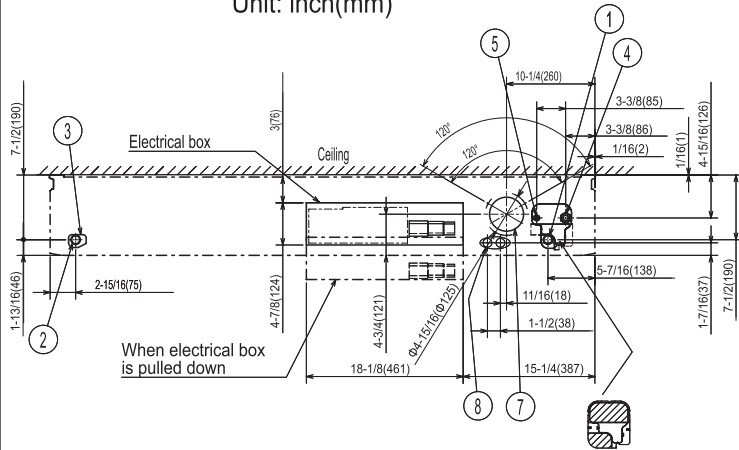
\* Cooling / Heating capacity indicated at the maximum value at operation under the following conditions:  
 Cooling: Indoor 80°F (27°C) DB / 67°F (19°C) WB, Outdoor 95°F (35°C) DB  
 Heating: Indoor 70°F (21°C) DB, Outdoor 47°F (8°C) DB / 43°F (6°C) WB

**Note:** Ventilation air: Providing sufficient ventilation air is an important part of every building design. ASHRAE Standard 62 provides the minimum ventilation air requirement. Also, check local codes.



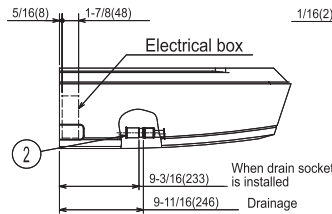
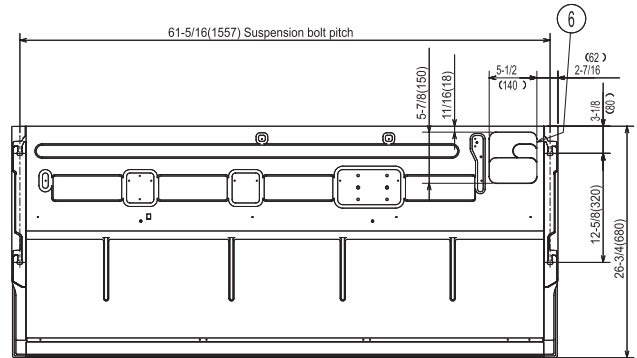
# Model: PCFY-P30NKMU-E – DIMENSIONS

Unit: inch(mm)

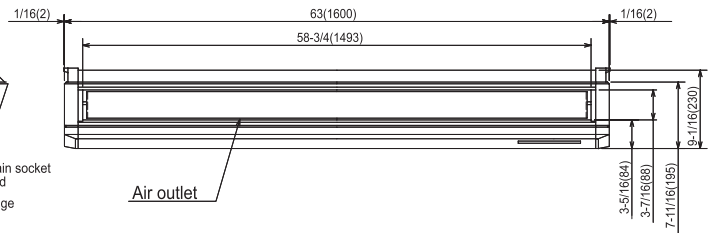


When electrical box is pulled down

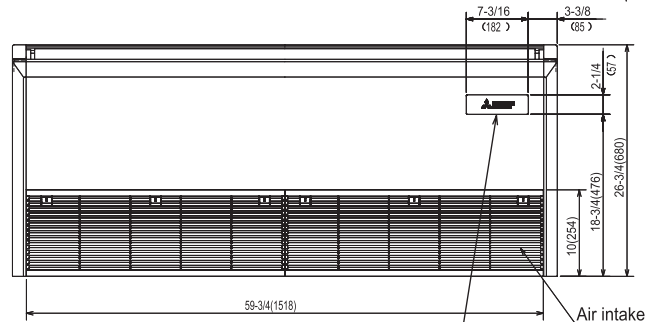
In case of the rear pipe arrangement, make sure to remove the shaded portions from the independent piece. Then put the independent piece back in initial position. (The heat exchanger might be clogged because of dust)



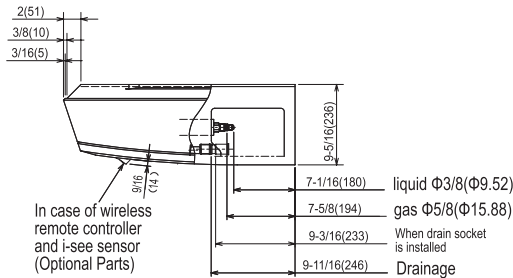
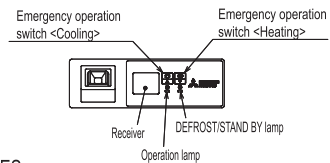
Air outlet



- ① Drainage pipe connection (1" [26mm] I.D.)
- ② Drainage pipe connection (for the left arrangement)
- ③ Knock out hole for left drain-piping arrangement
- ④ Refrigerant-pipe connection (gas pipe side/flared connection)
- ⑤ Refrigerant-pipe connection (liquid pipe side/flared connection)
- ⑥ Knock out hole for upper drain pipe arrangement
- ⑦ Knock out hole for ventilation air intake  $\Phi 3-15/16(\Phi 100)$
- ⑧ Knock out hole for wiring arrangement  $\Phi 7/8(\Phi 22)$  Accessory...Drain socket (1" [26mm] I.D.)



In case of wireless remote controller and i-see sensor (Optional Parts)



**NOTES.**

- 1. Use M10 or W3/8 screw for anchor bolt.
- 2. Please be sure when installing the drain lift up mechanism (option parts), refrigerant pipe will be only upward.



Mitsubishi Electric Air Conditioning & Refrigeration Systems Works acquired ISO 9001 certification under Series 9000 of the International Standard Organization (ISO) based on a review of quality warranties for the production of refrigeration and air conditioning equipment.

**ISO Authorization System**  
The ISO 9900 series is a plant authorization system relating to quality warranties as stipulated by the ISO. ISO 9001 certifies quality warranties based on the "design, development, production, installation and auxiliary services" for products built at an authorized plant.

Certificate Number FM33568



Mitsubishi Electric Air Conditioning & Refrigeration Systems Works acquired environmental management system standard ISO 14001 certification.

The ISO 14000 series is a set of standards applying to environmental protection set by the International Standard Organization (ISO).

Certificate Number EC97J1227

C SD - PCFY-P30NKMU-E - 1 - 200907



**HVAC Advanced Products Division**

Mitsubishi Electric & Electronics USA, Inc.  
3400 Lawrenceville Suwanee Rd.  
Suwanee, GA 30024  
Tele: 678-376-2900 • Fax: 800-889-9904  
Toll Free: 800-433-4822 (#4)  
www.mehvac.com

Specifications are subject to change without notice.